

Parts Book

Diesel forklift

D15S-5, D18S-5, D20SC- 5

Series: NE UT/UU/FDA01/FDA02/FDA03

РУМАКУ <https://find-parts.ru/>

РУМАКУ <https://find-parts.ru/>

РУМАКУ <https://find-parts.ru/>

РУМАКУ <https://find-parts.ru/>

РУМАКУ <https://find-parts.ru/>

РУМАКУ <https://find-parts.ru/>

<https://find-parts.ru/>

<https://find-parts.ru/>

<https://find-parts.ru/>

Description	Page
. Maintenance Part	
. Common Part List	
1 . CHASSIS COMPONENT	1-000-0
.. Axle Gp - Steer	1-010-0
.. Power Steer Cylinder	1-010-1
.. Steer Axle Mounting	1-020-0
.. Panel Gp - Top	1-030-0
.. Air Cleaner Gp	1-040-0
.. Muffler Gp	1-050-0
.. Lines Gp - Coolant	1-060-0
.. Radiator Gp	1-070-0
.. Lines Gp - Troque Convertor Cooler	1-080-0
.. Mounting Gp - Power Train & E/G	1-090-0
.. U - Joint	1-090-1
.. Gage Gp - Oil Level	1-100-1
.. Cap Gp - Fuel	1-100-2
.. Lines Gp - Power Steering	1-110-0
.. Tilt Mounting Gp	1-120-0
.. Floor Plate Gp	1-130-0
.. Mounting Gp - Valve	1-140-0
.. Pump Gp - Gear	1-150-0
.. Pump Assy - Gear	1-150-1
.. Mast Gp - Operating	1-160-0
.. Horn Gp - Electric	1-170-0
.. Mounting Gp - Front Cockpit Unit	1-180-0
.. Front Cockpit Unit - Basic	1-190-0
.. Steering Gp	1-190-1
.. Cover Gp	1-190-2
.. Reservoir Gp	1-190-3
.. Instrument Gp	1-190-4
.. Wiring Gp	1-200-0
.. Wiring Gp - F.C.U	1-210-0
.. Lines Gp - Fuel	1-220-0
.. Pedal Gp - Accel	1-230-0
.. Battery Gp	1-240-0
.. Remote Oil Filter Gp	1-250-0
2 . CAPACITY MODULE	2-000-0
.. Countweighth Gp	2-010-0
.. Head Guard Gp	2-020-0
.. Location Chart	2-030-0
3 . ENGINE	3-000-0
.. Engine Ar. - Basic	3-010-0
.. Crankcase	3-020-0
.. Oil Pan	3-030-0
.. Cylinder Head	3-040-0
.. Gear Case	3-050-0
.. Head Cover	3-060-0
.. Oil Filter	3-070-0
.. Dipstick And Guide	3-080-0

.. Oil Pump	3-090-0
.. Main Bearing Case	3-100-0
.. Camshaft And Idle Gear Shaft	3-110-0
.. Piston And Crankshaft	3-120-0
.. Flywheel	3-130-0
.. Fuel Camshaft And Governor Shaft	3-140-0
.. Idle Apparatus	3-150-0
... Stop Solenoid	3-160-0
.. Injection Pump	3-170-0
.. Governor	3-180-0
.. Speed Control Plate	3-190-0
.. Nozzle Holder And Glow Plug	3-200-0
.. Boost Compensator	3-210-0
.. Fuel Pump(Mechanical)	3-220-0
.. Cover	3-230-0
.. Alternator And Pulley	3-240-0
.. Alternator Assy	3-240-1
.. Starter	3-250-0
.. Starter Assy	3-250-1
.. Oil Switch And Plug	3-260-0
.. Water Flange And Thermostat	3-270-0
.. Water Pump	3-280-0
.. Cooler Fan	3-290-0
.. Valve And Rocker Arm	3-300-0
.. Inlet Manifold	3-310-0
.. Exhaust Manifold	3-320-0
.. Oil Cooler	3-330-0
4 . BRAKE SYSTEM	4-000-0
... Parking Gp - F.C.U	4-010-0
... Pedal Gp - Inching & Brake - F.C.U	4-020-0
.. Lines Gp Brake - Shoe Type Brake	4-030-0
.. Lines Gp Brake - OCD Type Brake	4-030-0-0
.. Control Gp Inching & Brake - Shoe Type Brake	4-040-0
.. Control Gp Inching & Brake - OCD Type Brake	4-040-0-0
5 . POWER TRAIN	5-000-0
.. Transmission Assy - Input Shaft Part 1 of 4	5-010-1
.. Transmission Assy - Counter Shaft Part 2 of 4	5-010-2
.. Transmission Assy - Output Shaft Part 3 of 4	5-010-3
.. Transmission Assy - Housing & Accessory Part 4 of 4	5-010-4
.. Valve Assy	5-010-5
.. Drive Axle Assy - OCD Type Brake	5-020-0
.. Drive Axle Assy - Shoe Type Brake	5-030-0
.. Brake Assy - RH	5-030-1
.. Brake Assy - LH	5-030-2
.. Differential Assy	5-040-0
6 . OPTION FOR COMPLETE TRUCK	6-000-0
.. Tire & Wheel Gp - Pneumatic	6-010-0
.. Tire & Wheel Gp - 1.5 / 1.8 Ton - Solid	6-020-0
.. Tire & Wheel Gp - Wide - Solid	6-030-0
.. Seat Gp - Suspension - Non NACD	6-040-0
.. Seat Gp - Suspension Arm Rest - Non NACD	6-050-0
.. Seat Gp - Suspension - NACD	6-060-0
.. Seat Gp - Suspension - NACD	6-070-0

.. Seat Gp - Static - Retractable - Non NACD & NACD	6-080-0
.. Static Seat Assy - STD(Vinyl)	6-080-1
.. Seat Gp - Static - Parking Alarm - NACD	6-090-0
.. Seat Gp - Static , NACD	6-090-1
.. Seat Gp - Static - Cloth - NACD	6-100-0
.. Static Seat Assy - Hip Rest Type(Cloth/Non Logo)	6-100-1
.. Seat Gp - Cloth - NACD	6-100-2
.. Seat Belt Indicator Gp - Non NACD & NACD	6-110-0
.. Valve Ar - 3 Section, 2 Lever	6-120-0
.. Valve Ar - 3 Section, 3 Lever	6-130-0
.. Valve Ar - 4 Section, 4 Lever	6-140-0
.. Valve Assy - 3 Section	6-150-0
.. Valve Assy - 4 Section	6-160-0
.. Valve Gp - Section - Lift	6-170-1
.. Valve Gp - Section - Tilt	6-170-2
.. Valve Gp - Section - Aux 1 & 2	6-170-3
.. Section Gp - Outlet	6-170-4
.. Section Gp - Inlet	6-170-5
.. Secondary Relief Valve	6-170-6
.. Main Relief Valve	6-170-7
.. Change Over Ar. - 3 To 4 Section	6-180-0
7 . OPTION FOR GENERAL	7-000-0
.. Back Mirror Gp	7-010-0
.. Tool Gp	7-020-0
.. Light Gp - Front - STD	7-030-0
.. Lamp Assy - STD - RH	7-030-1
.. Lamp Assy - STD - LH	7-030-1-0
.. Lamp Assy - Halogen - RH	7-030-2
.. Lamp Assy - Halogen - LH	7-030-2-0
.. Light Gp - Option	7-040-0
.. Lamp Assy & Turn Signal - STD - RH	7-040-1
.. Lamp Assy & Turn Signal - STD - LH	7-040-1-0
.. Lamp Assy & Turn Signal - Option - RH	7-040-2
.. Lamp Assy & Turn Signal - Option - LH	7-040-2-0
.. Change Over Arrangement - EU	7-050-0
.. Changeover AR. - Catalytic Muffler	7-060-1
.. Changeover AR. - Vertical Muffler	7-060-2
.. Wiper Gp - Modular Cabin	7-070-0
.. Modular Cabin - A Type	7-080-0
.. Modular Cabin - B Type	7-090-0
.. Modular Cabin - C Type	7-100-0
.. Cabin Assy - D Type	7-110-0
.. Cover Assy - Top	7-110-1
.. Cover Assy - Front	7-110-1-0
.. Cover Assy - Rear	7-110-1-1
.. Open Door Assy - LH	7-110-2
.. Open Door Assy - RH	7-110-2-0
.. Fix Door Assy - LH	7-110-3
.. Fix Door Assy - RH	7-110-3-0
.. Changeover AR. - Pre Cleaner - STD	7-120-1
.. Changeover AR. - Pre Cleaner - Cabin	7-120-2
.. Changeover AR. - Autoshift Controller	7-130-0
.. Changeover AR. - Autotilt Leveling - STD	7-140-1

.. Changeover AR. - Autotilt Leveling - FFT	7-140-2
.. Heater Gp	7-150-0
.. Radiator Screen	7-160-0
.. Rear Grip Bar - STD	7-170-0
.. Rear Grip Bar - With Cabin	7-180-0
.. Changeover AR. - Spark Arrestor	7-190-0
.. Screen Gp - STD 3300mm Only	7-200-0
.. Changeover AR. - Finger Tip - 3 Way	7-210-0
.. Changeover AR. - Finger Tip - 4 Way	7-210-0-0
.. Valve - Finger Tip - 3 Way	7-210-1
.. Valve Finger Tip Module - 3 Way	7-210-1-1
.. Valve - Finger Tip - 4 Way	7-210-2
.. Valve Finger Tip Module - 4 Way	7-210-2-1
.. Mount Gp - Arm Rest - 3 Way	7-210-3
.. Mount Gp - Arm Rest - 4 Way	7-210-3-0
.. Arm Rest Assy - 3 Way	7-210-3-1
.. Arm Rest Assy - 4 Way	7-210-3-1-0
.. Mounting Gp - Auto Tilt Leveling	7-210-4
.. Wiring Group - Finger Tip	7-210-5
.. Valve Gp - 3 Section	7-210-6
.. Valve Gp - 4 Section	7-210-7
.. Change Over AR. - Mono Ped	7-220-0
.. Control Gp - Mono Ped For FCU	7-220-1
.. Pedal Assy - Inch & Brake	7-220-1-1
.. Pedal Assy - Floor	7-220-2
.. Plate Assy - Floor	7-220-3
8 . MAST-HYDRAULIC	8-000-0
.. Mounting Gp - Mast - STD, FFT	8-010-0
.. Mounting Gp - Mast - FFL	8-010-0-0
.. Mounting Gp - Lift - STD	8-020-0
.. Mounting Gp - Lift - FFT	8-030-0
.. Mounting Gp - Lift - FFL	8-040-0
.. Lines Gp - ATT - Primary - STD - 3 Way	8-050-0
.. Lines Gp - ATT - Primary - STD - 4 Way	8-060-0
.. Lines Gp - ATT - Primary - FFT - 3 Way	8-070-0
.. Accumulator Gp(MFH 4000) - FFT Mast Only	8-070-1-1
.. Accumulator Gp(Over MFH 4500) - FFT Mast Only	8-070-1-2
.. Lines Gp - ATT - Primary - FFT - 4 Way	8-080-0
.. Lines Gp - ATT - Primary - FFL - 3 Way	8-090-0
.. Accumulator Gp(Over MFH 2700mm) - FFL Mast Only	8-090-0-1
.. Accumulator Gp(Only MFH 4000mm) - FFT Mast Only	8-090-0-2
.. Lines Gp - ATT - Primary - FFL - 4 Way	8-100-0
.. Lines Gp - ATT - Secondary - STD - 3 Way - RH	8-110-0
.. Lines Gp - ATT - Secondary - STD - 3 Way - LH	8-120-0
.. Lines Gp - ATT - Secondary - STD - 4 Way	8-130-0
.. Lines Gp - ATT - Secondary - FFT - 3 Way - RH	8-140-0
.. Lines Gp - ATT - Secondary - FFT - 3 Way - LH	8-150-0
.. Lines Gp - ATT - Secondary - FFT - 4 Way	8-160-0
.. Lines Gp - ATT - Secondary - FFL - 3 Way - RH	8-170-0
.. Lines Gp - ATT - Secondary - FFL - 3 Way - LH	8-180-0
.. Lines Gp - ATT - Secondary - FFL - 4 Way	8-190-0
.. Lines Gp - ATT - Sideshift - STD	8-200-0
.. Lines Gp - ATT - Sideshift - FFL & FFT	8-210-0

.. Tilt Cylinder Gp	8-220-0
.. Tilt Gp - 2 Required - Option	8-220-1
9 . MAST-IMPLEMENTS	9-000-0
.. Mast Gp - Basic - STD, FFL	9-010-0
.. Mast Gp - Basic - FFT	9-020-0
.. Mast Assy - STD	9-030-0
.. Mast Assy - FFT	9-040-0
.. Mast Assy - FFL	9-050-0
.. Relay Gp - Lift - STD	9-060-0
.. Relay Gp - Lift - FFT	9-070-0
.. Relay Gp - Lift - FFL	9-080-0
.. Lift Gp - Secondary Cylinder - STD	9-090-0
.. Lift Gp - Secondary Cylinder - FFT	9-100-0
.. Lift Gp - Secondary Cylinder - FFL	9-110-0
.. Lift Gp - Primary Cylinder - FFT	9-120-0
.. Lift Gp - Primary Cylinder - FFL	9-130-0
.. Carriage Gp - STD, FFT, FFL	9-140-0
.. Mounting Gp - Carriage	9-150-0
.. Side Shifter Gp	9-160-0
.. Cylinder Assy - Side Shifter	9-160-1
.. Load Backrest	9-170-0
.. Integral Side Shifter Part 1 of 2	9-180-0
.. Integral Shifting - Fork Positioner Part 2 of 2	9-180-0-0
.. Carriage Gp - STD	9-190-0
.. Carriage Gp - FFL	9-190-0-0
.. Carriage Gp - FFT	9-190-0-1
.. Side Shifter Cylinder	9-190-1
.. Lines Gp - STD	9-200-0
.. Lines Gp - FFL, FFT	9-210-0
.. Mounting Gp - Fork Positioner	9-220-0
.. Cylinder Assy	9-220-1
.. Lines Gp - Carriage - STD	9-230-0
.. Lines Gp - Carriage - FFL	9-240-0
.. Lines Gp - Carriage - FFT	9-250-0
.. Backrest Gp - Fork Positioner	9-260-0
.. Fork Group	9-270-0

РУМАКУ <https://find-parts.ru/>

РУМАКУ <https://find-parts.ru/>

РУМАКУ <https://find-parts.ru/>

РУМАКУ <https://find-parts.ru/>

РУМАКУ <https://find-parts.ru/>

РУМАКУ <https://find-parts.ru/>

<https://find-parts.ru/>

<https://find-parts.ru/>

<https://find-parts.ru/>

D15/18S5 D20SC-5

ABBREVIATIONS

CODE	DESCRIPTION
------	-------------

NOTE CODE

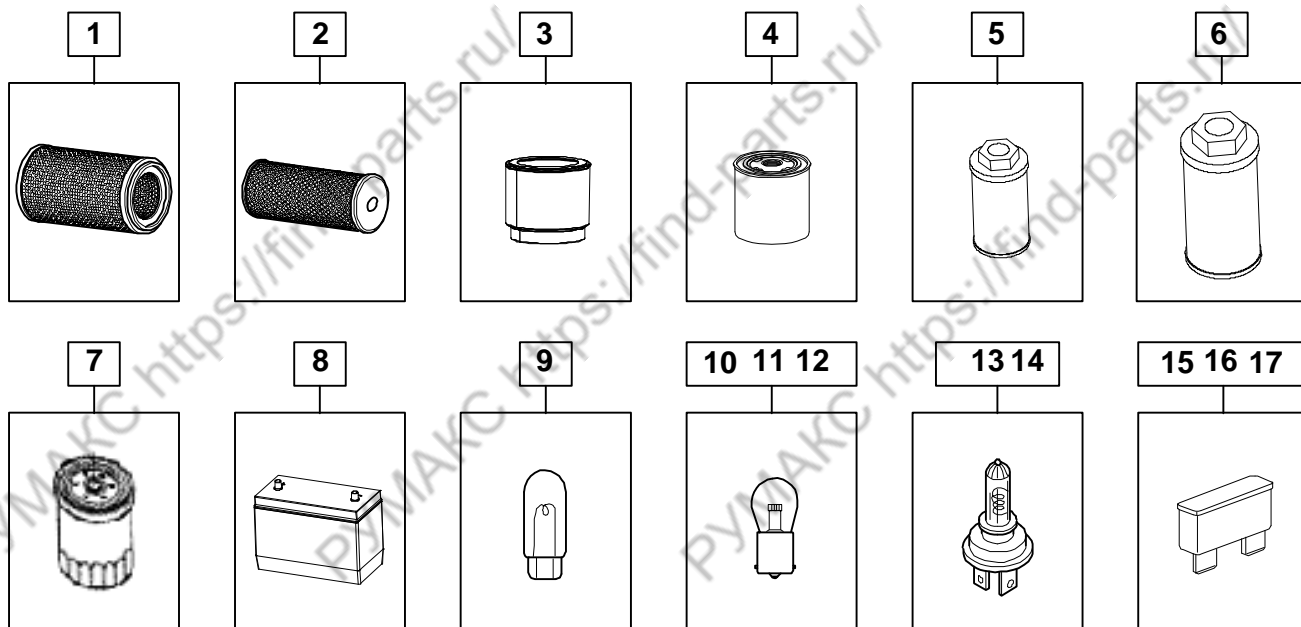
O.D. : Outside diameter	, I.D. : Inside diameter
D : Order by the meter	, E : Order by the centimeter
G : Order by the inch	, M : Metric part
F : Not shown	, I : See hose fabrication guide
K : See mast arrangement	, B : Use as required
C : Indicates change	, A : Not part of this group
Y : Separate Illustration	, R : Remfg part may be available
Z : Not serviced separately	, X : Major component exchange

INTERCHANGE CODE

B :	OLD and NEW are interchangeable
N :	OLD is replaced by NEW, but NEW cannot be replaced by OLD
R :	OLD and NEW are not interchangeable, see serial No. info.

STOCK DISPOSITION CODE

S :	SCRAP
R :	REWORK
E :	EXHAUST



D15/18S5 D20SC-5

Maintenance Part

NOTE	ITEM NO.	PART NUMBER	QTY	DESCRIPTION	CHANGE CODE	START SERIAL NO.					
						EM0UT	EM0UU	FDA01	FDA02	FDA03	-
	1	A383526		Air Cleaner Element - Primary							
	2	A218870		Air CleanerElement - Safety							
	3	A323029		Fuel Cartridge- Engine							
	4	A383718		E/G Oil Filter							
	5	D501397		Suction Filter - Hydraulic Tank							
	6	D516976		Return Filter - Hydraulic Tank							
	7	A383013		Transmission Oil Filter							
	8	A334060		Battery As							
	9	D540116		Bulb - Instrument Gage							
	10	300710-00007		Bulb - Stop & Tail							
	11	S863110H		Bulb - Back Up							
	12	300710-00008		Bulb - Turn Signal - Front							
	13	D147669		Bulb - Halogen							
	14	D147672		Bulb - Halogen							
	15	D544005		Fuse - 15A							
	16	A124008		Fuse - 10A							
	17	D544082		Fuse - 30A							
		.									
		Paint Spray Can									
		D422558		Orange							
		D139689		Black							
		A308051		Dark Gray							

D15/18S5 D20SC-5

FIG.1.01

Common Part List

NOTE	ITEM NO.	PART NUMBER	QTY	DESCRIPTION	CHANGE CODE	START SERIAL NC			
						EMOUT	EMOUU	FDA01	FDA
C		Filters							
		A323029		Fuel - Cartridge					
		A383718		Engine Oil Filter					
		A383013		Transmission Oil Filter					
		D501397		Hydraulic Tank -Suction Filter					
		D516976		Hydraulic Tank -Return Filter					
		A383526		Air Cleaner - Element (Primary)					
		A218870		Air Cleaner - Element (Safety)					
			Cooling						
		A383713		Water Pump Gasket					
		A383726		Fan - Cooling					
		A298149		V - Belt					
		A403658		Radiator Cap					
		A382123		Radiator hose (Inlet)					
		A381980		Radiator hose (Outlet)					
		A383779		Thermostat Ass'y					
			Tires						
		6.50 X10X12(PLY)		Drive - Pneumatic					
		5.00 X8X10(PLY)		Steer - Pneumatic					
		6.50 X10		Drive - Solid					
		5.00 X8		Steer - Solid					
		18x7-8		Steer - Solid Wide					
			Electrical						
		A383856		Starter					
		A383717		Alternater					
		D287673		Back Up Alarm					
		D560080		Horn					
		D544024		Circuit Breaker					
		A334000		F/R Switch					
		301409-00001		Switch Ass'y - Ignition					
		110702-00003		Ignition Switch- Key Set					
		A383708		Engine Oil Switch					
		D700261		Sender - Transmission Temp					
		A404056		Sender As - Water Temperature					
			Brake						
		D600301		Master Cylinder- Shoe Type					
		D600976		Master Cylinder Kit - Shoe Type					
		A501502		Master Cylinder - OCD Type					
		A271817		Master Cylinder Kit - OCD Type					
		D700116		Parking Brake Switch					
		D700116		Brake Switch					
		A273364		Brake Shoe - RH					
		A273365		Brake Shoe - LH					
		A403028		Brake Plate					
		A403027		Brake Disc Friction					
	A381600		Parking Cable						

Models ; D15/18S-5 , D20SC-5

Engine Type ; Kubota E/G (V2403, Tier III)

Engineering Model Number ; Shoe Type Brake - UT

OCD Type Brake - UU

Manuals ; Parts Book (SB1127E)

Operation Manual (SB2353E)

D15/18S5 D20SC-5

FIG.1.01

Common Part List

NOTE	ITEM NO.	PART NUMBER	QTY	DESCRIPTION	CHANGE CODE	START SERIAL NC			
						EMOUT	EMOUU	FDA01	FDA
		Steering							
		A215283		Steer Unit Seal Kit					
		A215284		Steer Unit Needle Bearing Kit					
		D510025		Steer Cylinder Kit					
		A271263 (2)		King Pin					
		S0556663 (2)		King Pin Bolt					
		D913003 (2)		King Pin Lock Nut					
		D700579 (4)		Roller Bearing-Kin Pin					
		D700577 (4)		Seal					
		D700574 (2)		Shim					
		D700575 (8)		Shim					
		D700572 (4)		Spacer					
		S6132070 (2)		Roller Bearing-Hub					
		S6132080 (2)		Roller Bearing-Hub					
		A161342 (2)		Link - Upper					
		A161338 (2)		Link - Lower					
		A161341 (4)		Link Pin					
		D131092 (2)		Link Bearing					
				.					
		Hydraulics							
		D511447		Tilt Cylinder Kit					
		D512436		Lift Cylinder Kit(STD)					
		D510797		Lift Cylinder Kit(Primary-FFL)					
		D512303		Lift Cylinder Kit(Primary-FFT)					
		D512475		Lift Cylinder Kit(Secondary-FFL & FFT)					
		D517391		Gear Pump Seal Kit					

Models ; D15/18S-5 , D20SC-5

Engine Type ; Kubota E/G (V2403, Tier III)

Engineering Model Number ; Shoe Type Brake - UT

OCD Type Brake - UU

Manuals ; Parts Book (SB1127E)

Operation Manual (SB2353E)

РУМАКУ <https://find-parts.ru/>

РУМАКУ <https://find-parts.ru/>

РУМАКУ <https://find-parts.ru/>

РУМАКУ <https://find-parts.ru/>

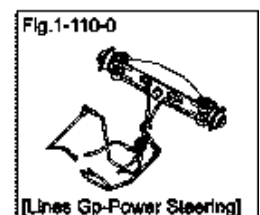
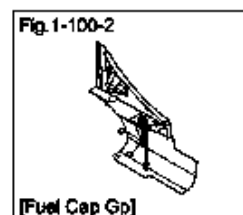
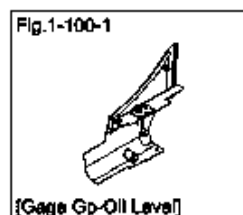
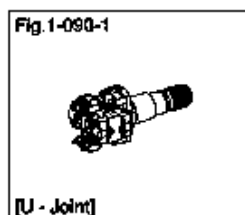
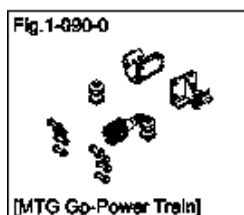
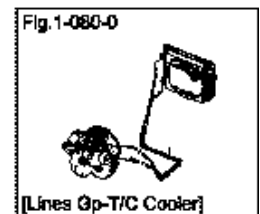
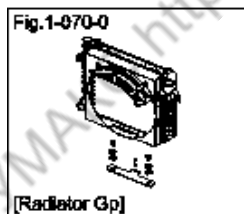
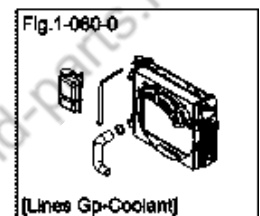
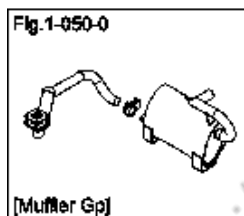
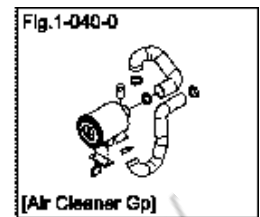
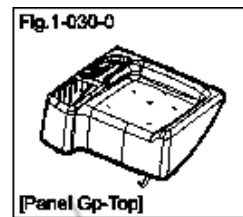
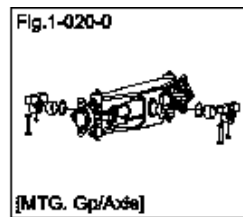
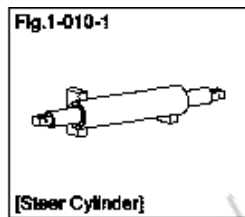
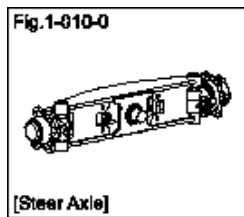
РУМАКУ <https://find-parts.ru/>

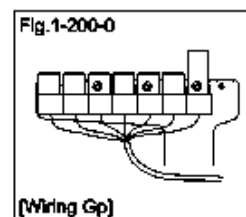
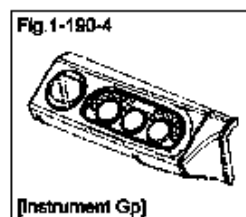
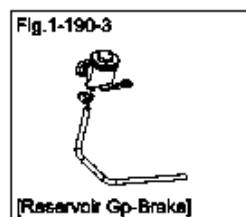
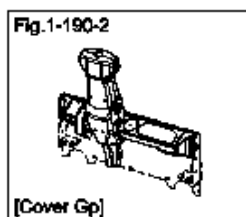
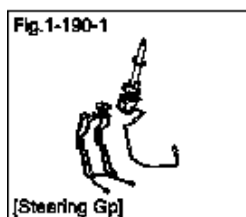
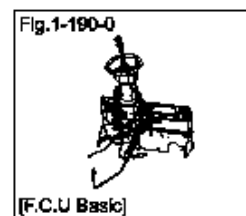
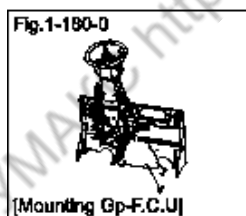
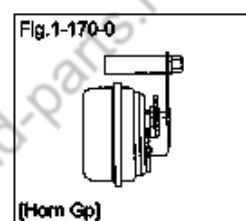
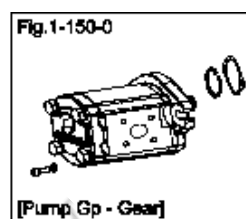
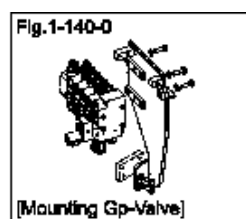
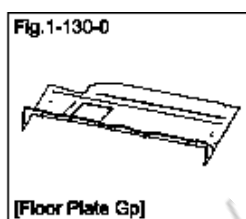
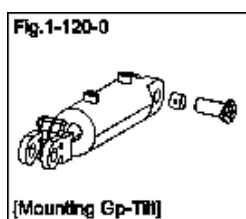
РУМАКУ <https://find-parts.ru/>

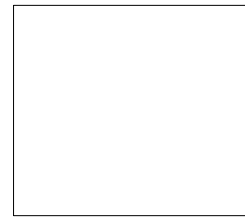
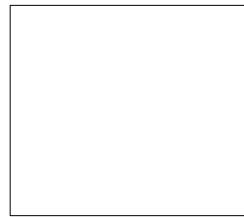
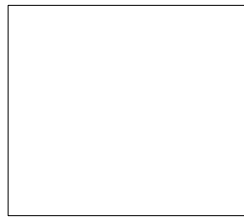
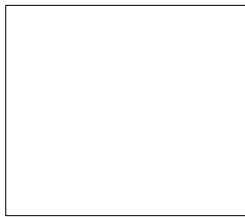
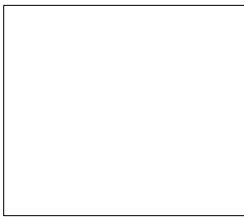
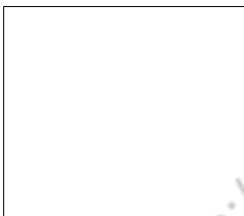
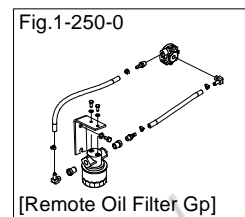
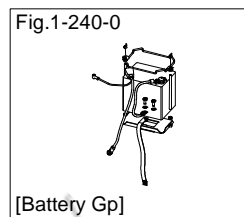
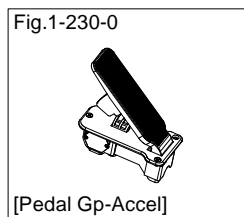
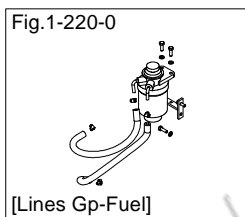
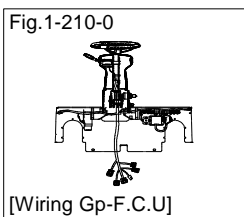
<https://find-parts.ru/>

<https://find-parts.ru/>

<https://find-parts.ru/>







РУМАКУ <https://find-parts.ru/>

РУМАКУ <https://find-parts.ru/>

РУМАКУ <https://find-parts.ru/>

РУМАКУ <https://find-parts.ru/>

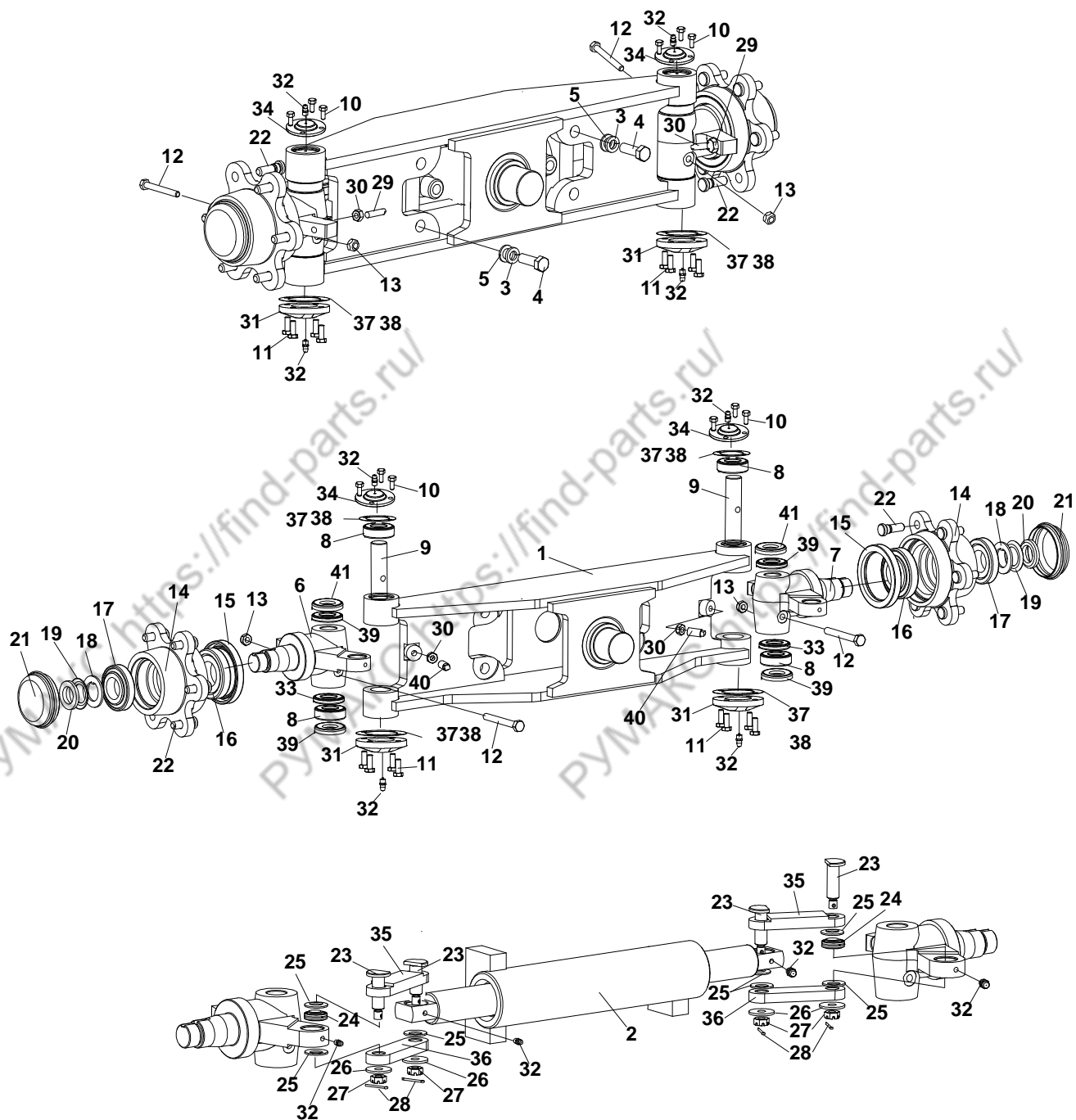
РУМАКУ <https://find-parts.ru/>

РУМАКУ <https://find-parts.ru/>

<https://find-parts.ru/>

<https://find-parts.ru/>

<https://find-parts.ru/>

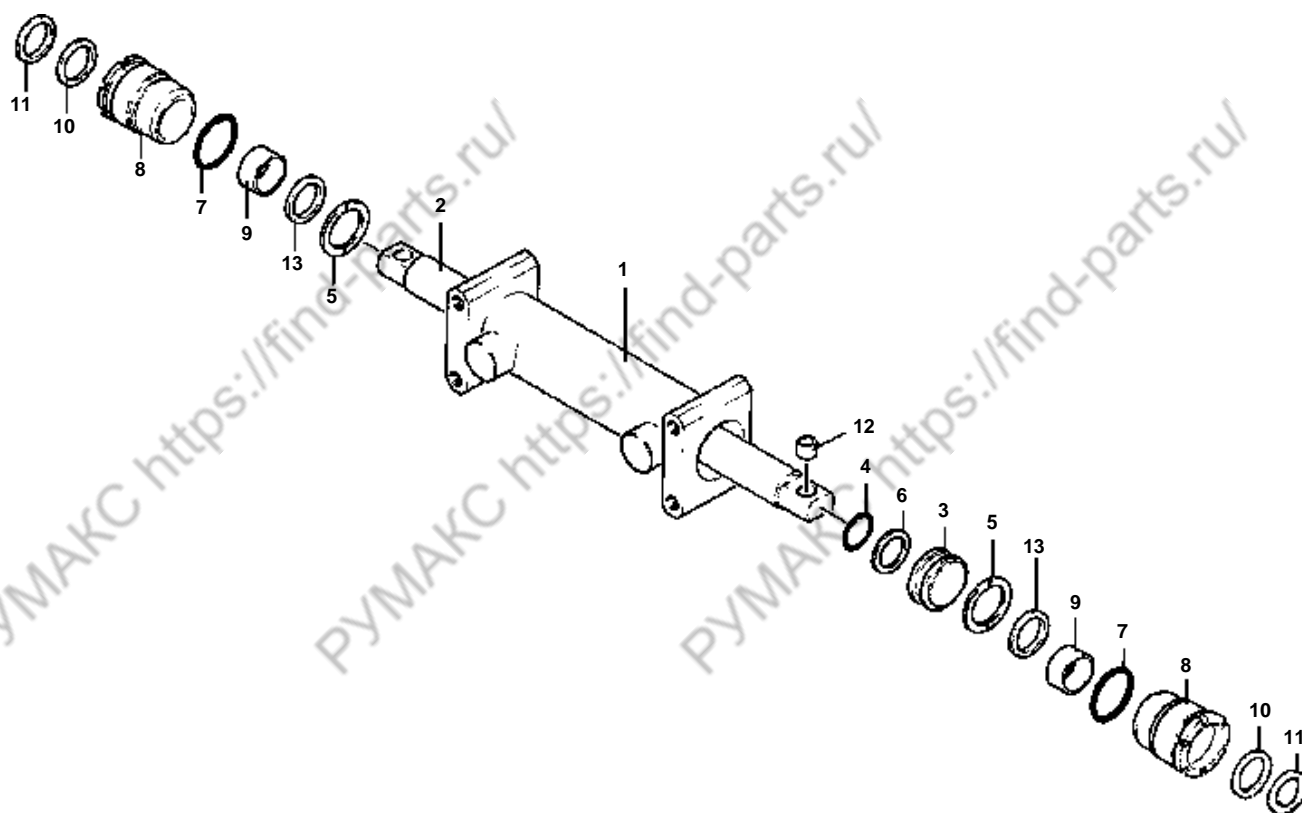


D15/18S5 D20SC-5

FIG.1-010-0

A272213 Axle Gp - Steer

NOTE	ITEM NO.	PART NUMBER	QTY	DESCRIPTION	CHANGE CODE	START SERIAL NO.					
						EMOUT	EM0UU	FDA01	FDA02	FDA03	-
Y	1	A271254	1	Beam Ass. 7y							
	2	A271264	1	Cyl Gp-P/S							
	3	S5102903	4	Washer-Spring							
	4	S0765263	4	Bolt							
	5	S5010913	4	Washer							
	6	A271262	1	Knuckle-LH							
	7	A271261	1	Knuckle-RH							
	8	D700579	4	Bearing-Roller							
	9	A271263	2	Pin-King							
	10	S0558163	8	Bolt							
	11	S0511863	8	Bolt							
	12	S0556663	2	Bolt							
	13	D913003	2	Nut-Lock							
	14	D600103	2	Hub							
	15	S8200500	2	Seal							
	16	S6132080	2	Bearing							
	17	S6132070	2	Bearing							
	18	D917049	2	Washer-Tongued							
	19	S6271060	2	Washer-Lock							
	20	S6260060	2	Nut-Lock							
	21	D600089	2	Cap							
	22	D910340	12	Bolt							
	23	A161341	4	Pin							
	24	D131092	2	Bearing-Self Aligning							
	25	D917126	8	Washer-Coni.Spring							
	26	D917085	4	Washer-Hard							
	27	S4274633	4	Nut-Castle							
	28	S5735371	4	Pin-Cotter							
	29	D915008	2	Screw							
	30	S4016643	4	Nut							
	31	A321207	2	Cover-Top							
	32	D909174	8	Fitting-Lube							
	33	D700572	2	Spacer							
	34	D700573	2	Cover-Bottom							
	35	A161342	2	Link							
	36	A161338	2	Link							
	37	D700574	3	Shim							
	38	D700575	8	Shim							
	39	D700577	4	Seal							
	40	A321211	2	Screw							
	41	A272232	2	Spacer							

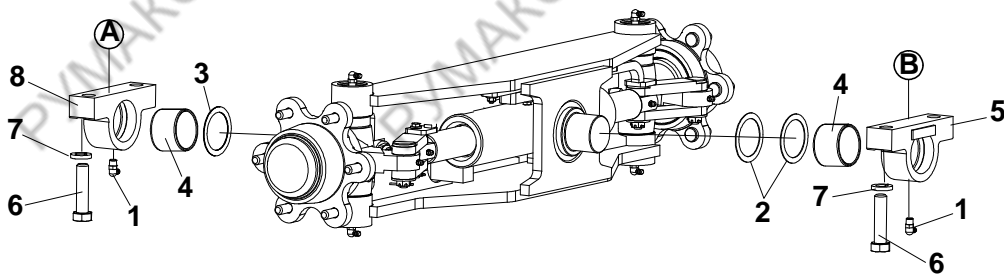
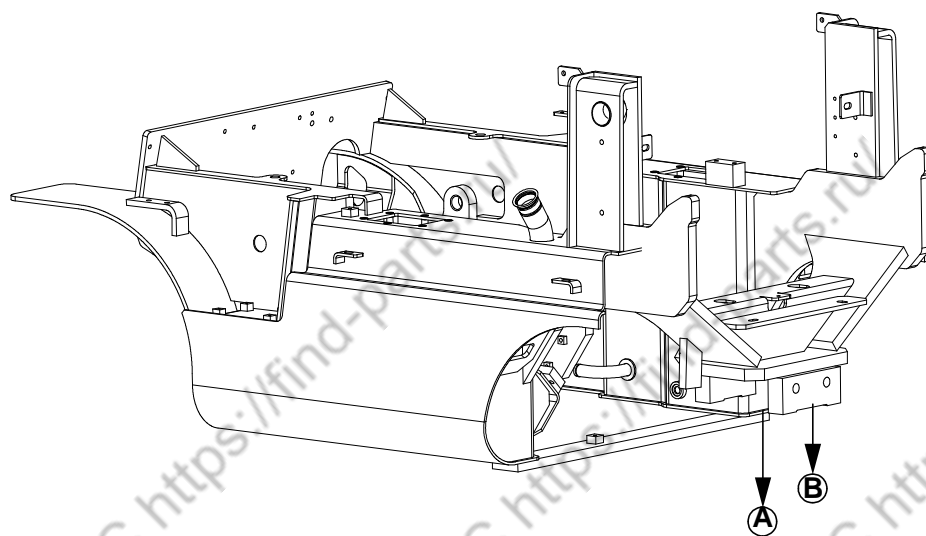


D15/18S5 D20SC-5

FIG.1-010-1

A271264 Power Steer Cylinder

NOTE	ITEM NO.	PART NUMBER	QTY	DESCRIPTION	CHANGE CODE	START SERIAL NO.					
						EM0UT	EM0UU	FDA01	FDA02	FDA03	-
Z	1	D510016	1	Tube-Ass. 7y							
	2	A271265	1	Rod							
	3	D501252	1	Piston							
J	4	D501253	1	Seal-O-Ring							
	5	D511122	2	Ring							
J	6	D501425	1	Seal-Slipper							
J	7	D501261	2	Seal-O-Ring							
	8	D501257	2	Cover-Rod							
	9	D501258	2	Du-Bush							
J	10	D510024	2	Seal-U-Cup							
J	11	D501260	2	Seal-Wiper							
	12	D131092	2	Bearing							
	13	D511123	2	Ring-Retaining							
				.							
				The Following Repair Group Is Available ;							
		D510025	1	Repaking Gp-Service (Includes Parts Marked J)							

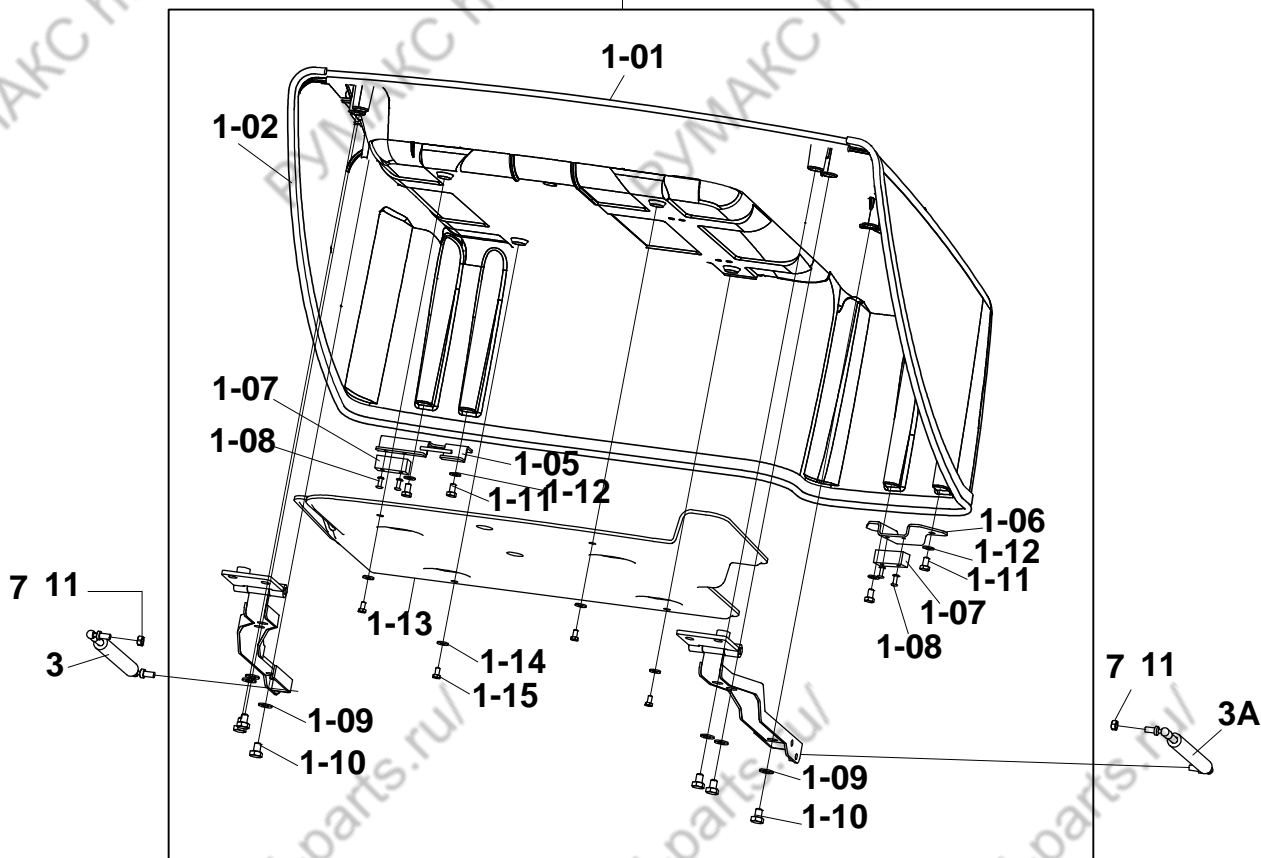
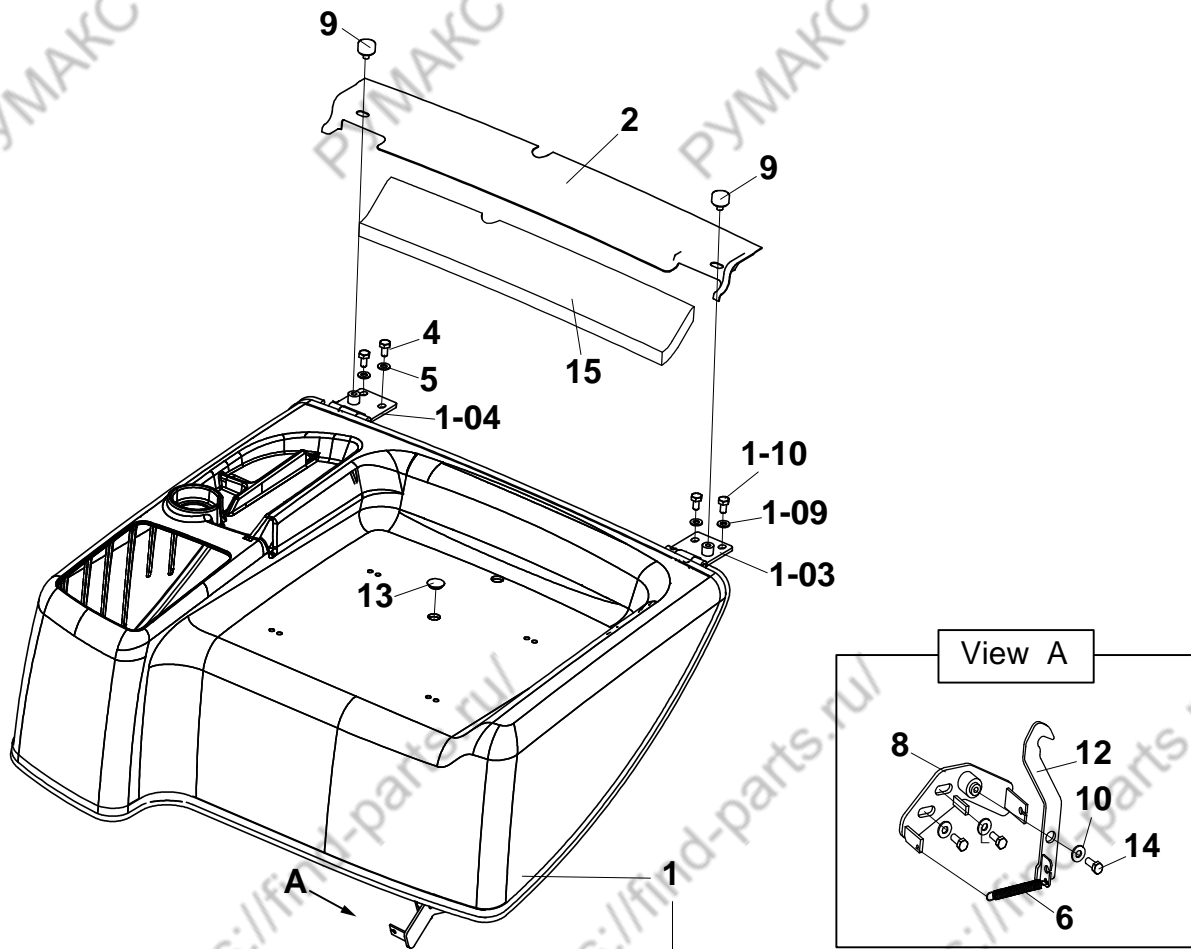


D15/18S5 D20SC-5

FIG.1-020-0

A271470 Steer Axle Mounting

NOTE	ITEM NO.	PART NUMBER	QTY	DESCRIPTION	CHANGE CODE	START SERIAL NO.					
						EM0UT	EM0UU	FDA01	FDA02	FDA03	-
	1	S6710151	2	Fitting							
B	2	D600088	2	Shim							
B	3	D600091	1	Shim							
	4	D600092	2	Bush							
	5	D600108	1	Support							
	6	S0565561	4	Bolt							
	7	S5102903	4	Washer-Spring							
	8	A271149	1	Support							

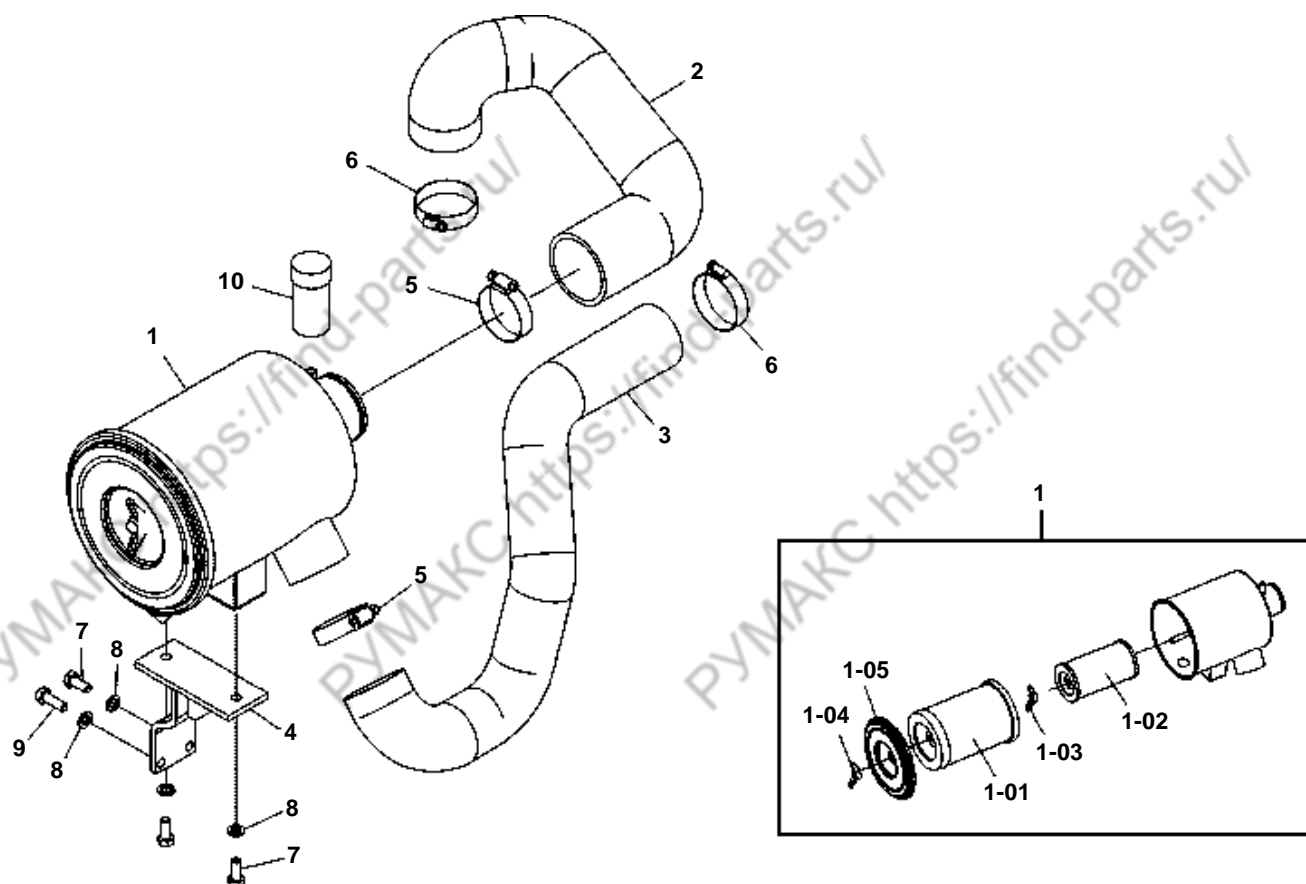


D15/18S5 D20SC-5

FIG.1-030-0

A381328 Panel Gp - Top

NOTE	ITEM NO.	PART NUMBER	QTY	DESCRIPTION	CHANGE CODE	START SERIAL NO.					
						EM0UT	EM0UU	FDA01	FDA02	FDA03	-
	1	A411301	1	Hood Ass. ʘy							
	1-01	A411302	1	Hood							
	1-02	A411515	1	Seal							
	1-03	110927-00068	1	Hinge Ass. ʘy-LH							
	1-04	110927-00067	1	Hinge Ass. ʘy-RH							
	1-05	A411341	1	Bracket Ass. ʘy							
	1-06	A411342	1	Bracket							
	1-07	D600268	2	Rubber-Mounting							
	1-08	D600269	4	Rivet							
	1-09	S0511863	6	Bolt							
	1-10	D917093	6	Washer							
	1-11	S0508563	4	Bolt							
	1-12	D917092	4	Washer							
	1-13	A411238	1	Foam							
	1-14	D917068	4	Washer							
	1-15	S0504463	4	Bolt							
	2	A381342	1	Radiator Cover Ass. ʘy							
	3	A381687	1	Gas Spring-RH							
	3A	A381688	1	Gas Spring-LH							
	4	S0511863	4	Bolt							
	5	D917093	4	Washer							
	6	D600563	1	Spring							
	7	S4012533	2	Nut							
	8	A402292	1	Latch Mounting Plate							
	9	A211414	2	Bolt-Knob							
	10	D917168	3	Washer							
	11	D917092	2	Washer							
	12	A381126	1	Latch Plate Ass. ʘy							
	13	A211877	1	Plug							
	14	S0508863	3	Bolt							
	15	A411490	1	Foam-Radiator Cover							

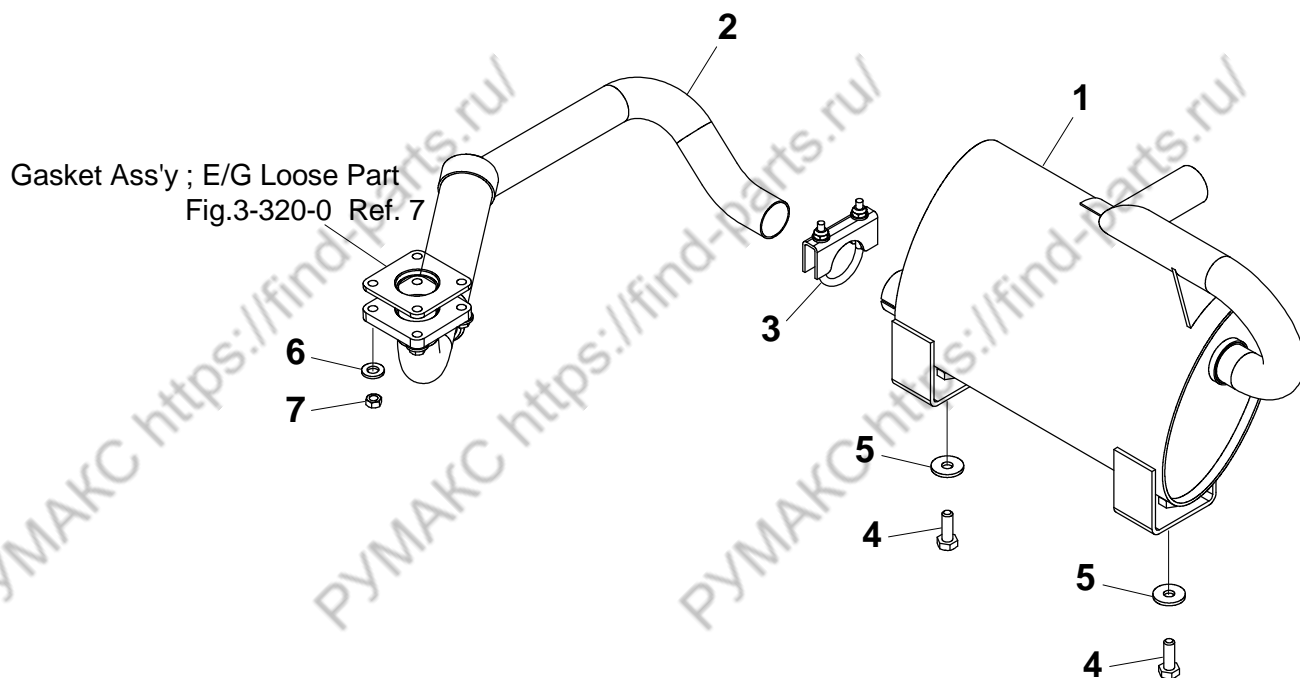


D15/18S5 D20SC-5

FIG.1-040-0

A381971 Air Cleaner Gp

NOTE	ITEM NO.	PART NUMBER	QTY	DESCRIPTION	CHANGE CODE	START SERIAL NO.					
						EM0UT	EM0UU	FDA01	FDA02	FDA03	-
	1	A383524	1	Air Cleaner Ass. ѳy							
	1-01	A383526	1	Element-Primary							
	1-02	A218870	1	Element-Safety							
	1-03	A383533	1	Wing Nut-Safety							
	1-04	A383555	1	Wing Nut-Primary							
	1-05	A383556	1	Cover Ass. ѳy							
	2	A381972	1	Hose Air(Outlet)							
	3	A381050	1	Hose Air(Inet)							
	4	A381052	1	Plate Ass. ѳy							
	5	S8450053	2	Clamp							
	6	S8450044	2	Clamp							
	7	S0508863	3	Bolt							
	8	D917092	4	Washer							
	9	S0509063	1	Bolt							
	10	D141108	1	Indicator							

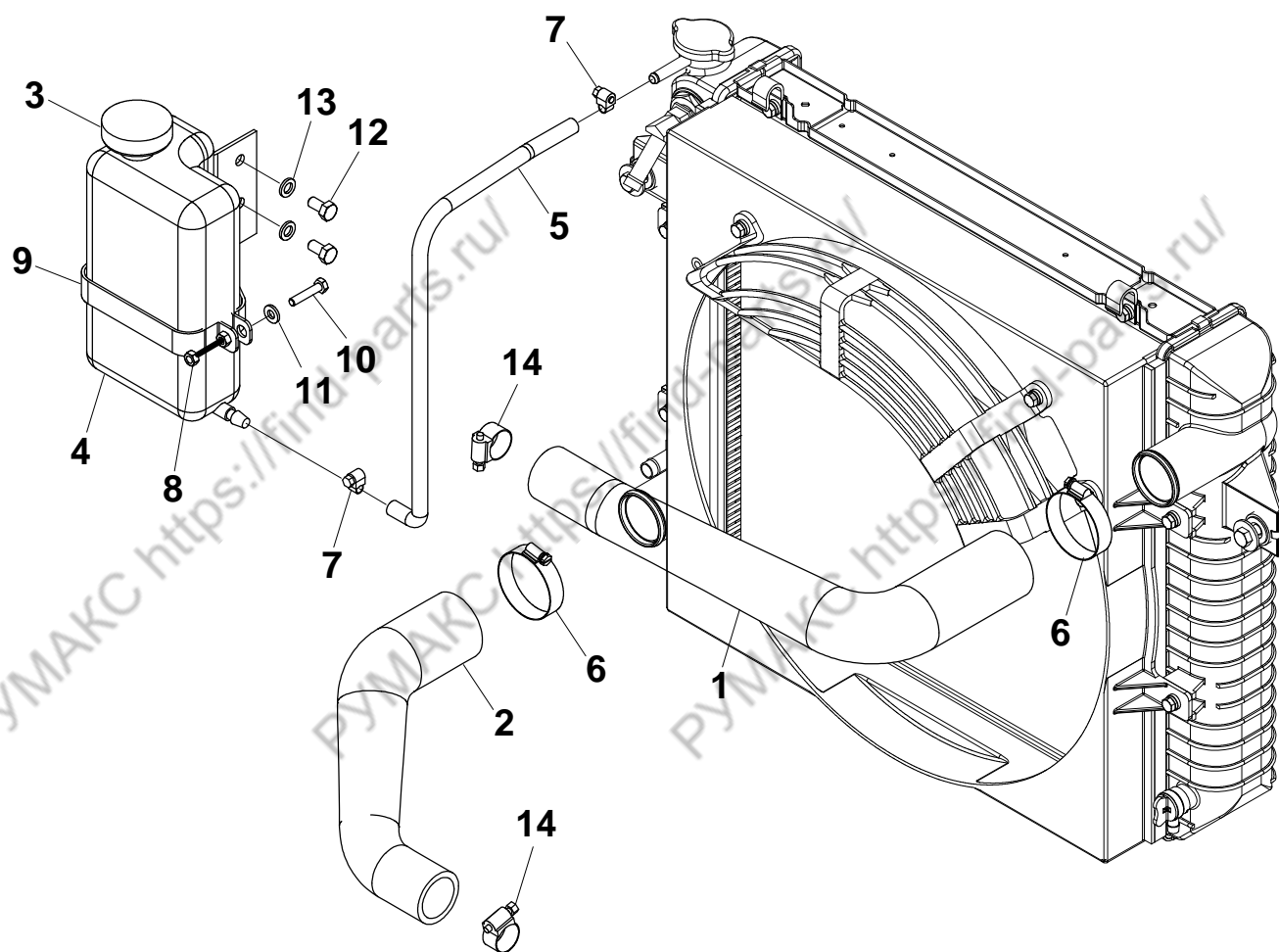


D15/18S5 D20SC-5

FIG.1-050-0

A381966 Muffler Gp

NOTE	ITEM NO.	PART NUMBER	QTY	DESCRIPTION	CHANGE CODE	START SERIAL NO.					
						EM0UT	EM0UU	FDA01	FDA02	FDA03	-
	1	A383896	1	Muffler							
	2	A382005	1	Tube Ass. ʘy-Exhaust							
	3	A218501	1	Clamp Ass. ʘy							
	4	S0512263	2	Bolt							
	5	D917060	2	Washer							
	6	D917093	4	Washer							
	7	S4012533	4	Nut							

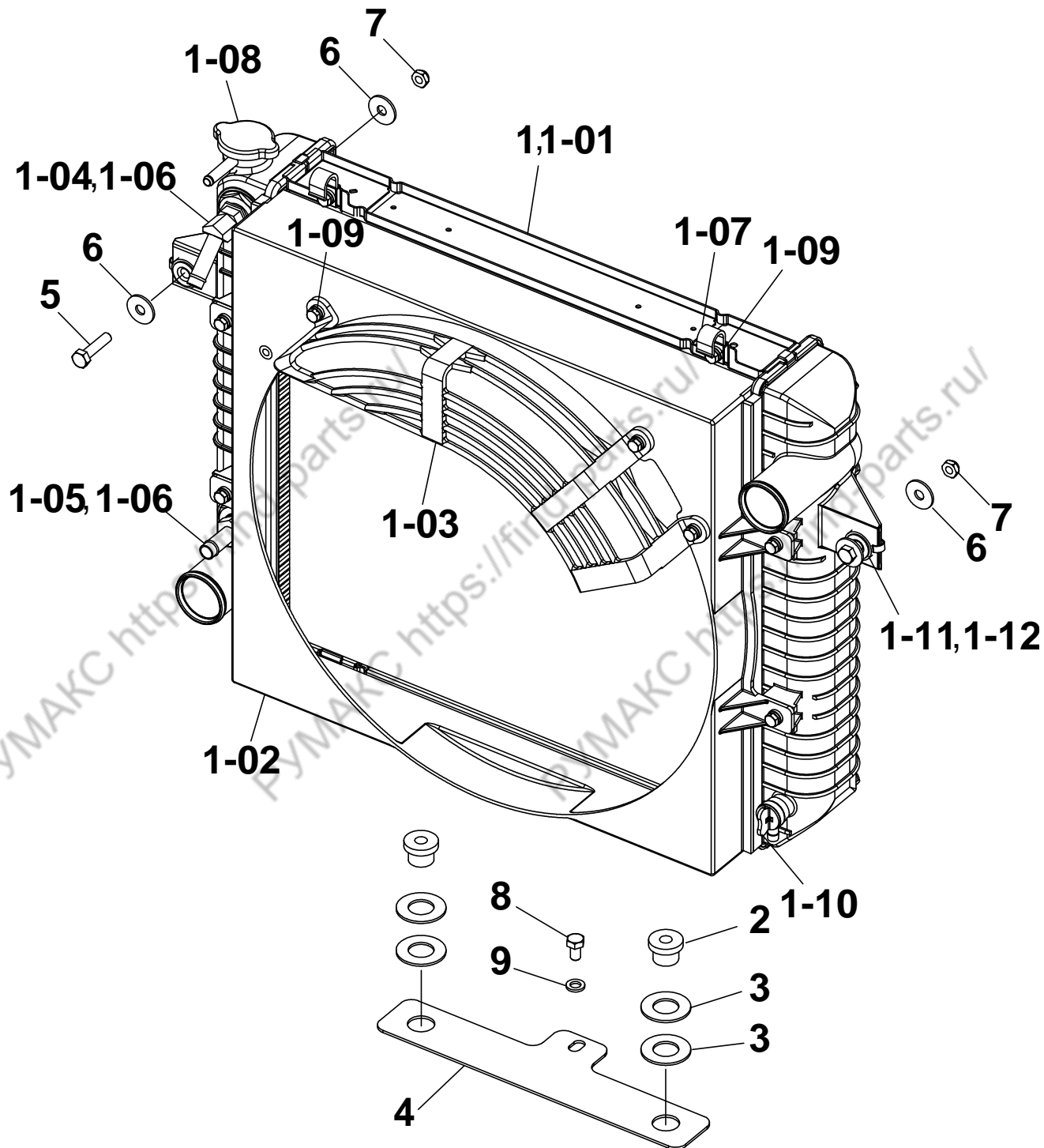


D15/18S5 D20SC-5

FIG.1-060-0

A381978 Lines Gp - Coolant

NOTE	ITEM NO.	PART NUMBER	QTY	DESCRIPTION	CHANGE CODE	START SERIAL NO.					
						EM0UT	EM0UU	FDA01	FDA02	FDA03	-
	1	A382123	1	Hose-Inlet							
	2	A381980	1	Hose-Outlet							
	3	D130257	1	Cap-Reservoir							
	4	A212360	1	Reservoir-Water							
	5	A251965	1	Hose							
	6	S8450044	2	Clamp							
	7	S8450006	2	Clamp							
	8	S4012333	1	Nut							
	9	A381077	1	Band Ass. y							
	10	D917007	1	Washer							
	11	S0505263	1	Bolt							
	12	S0508663	2	Bolt							
	13	D917092	2	Washer							
	14	S8450023	2	Clamp							

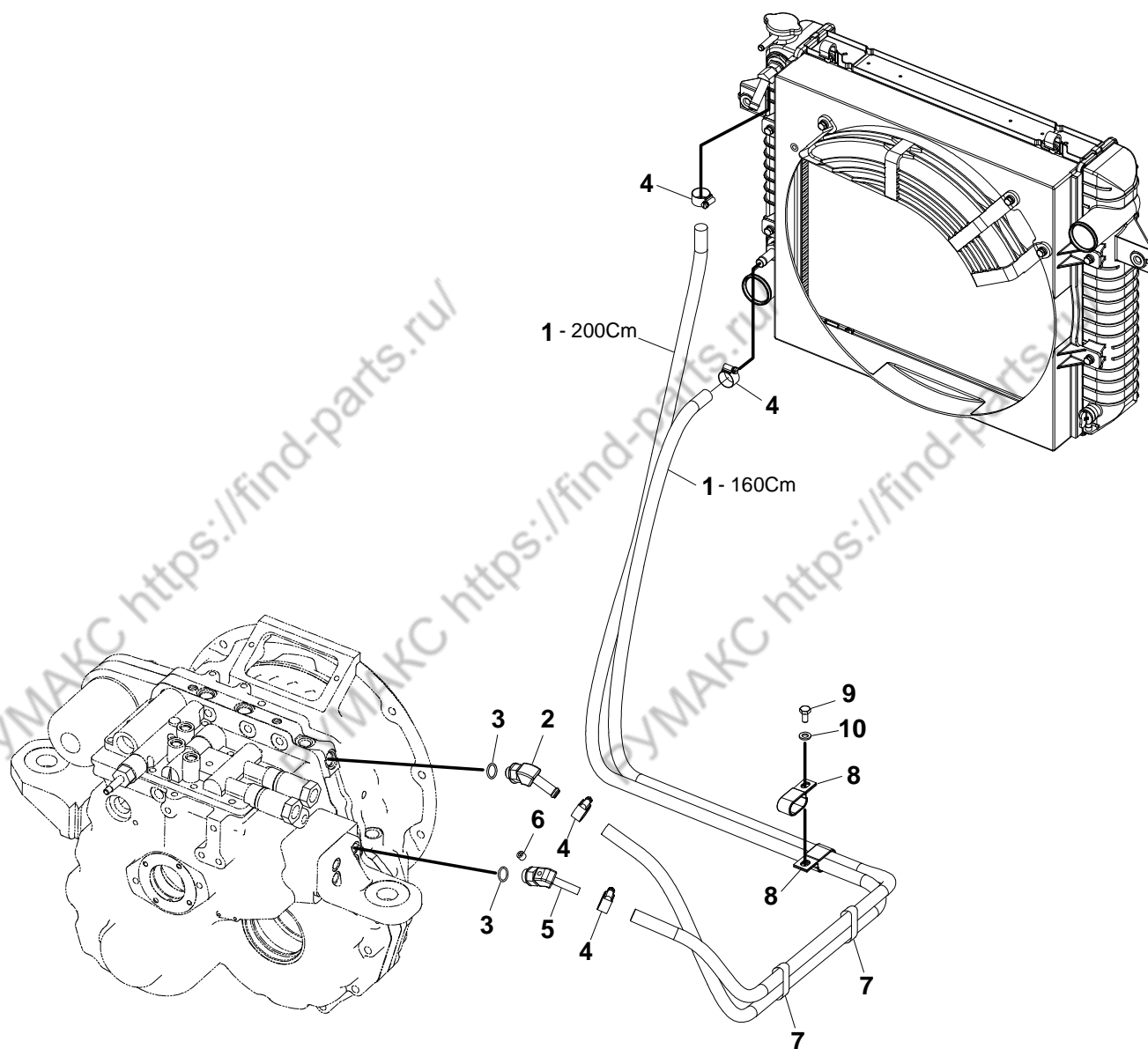


D15/18S5 D20SC-5

FIG.1-070-0

A381977 Radiator Gp

NOTE	ITEM NO.	PART NUMBER	QTY	DESCRIPTION	CHANGE CODE	START SERIAL NO.					
						EM0UT	EM0UU	FDA01	FDA02	FDA03	-
	1	A383564	1	Radiator Ass. ʹy							
	1-01	A403575	1	Radiator							
	1-02	A383515	1	Shroud							
	1-03	A408465	1	Fan Guard							
	1-04	A213669	1	Connector							
	1-05	A250952	1	Connector							
	1-06	S8040081	2	O-Ring							
	1-07	D900007	2	Clip							
	1-08	A403658	1	Cap							
	1-09	D424383	10	Bolt							
	1-10	A403657	1	Drain Plug							
	1-11	A403606	2	Rubber Mount							
	1-12	A403607	2	Collar							
	2	D700150	2	Grommet							
	3	D917025	4	Washer							
	4	A381286	1	Plate							
	5	S0509363	2	Bolt							
	6	D917095	4	Washer							
	7	D913003	2	Nut							
	8	S0508563	1	Bolt							
	9	D917092	1	Washer							

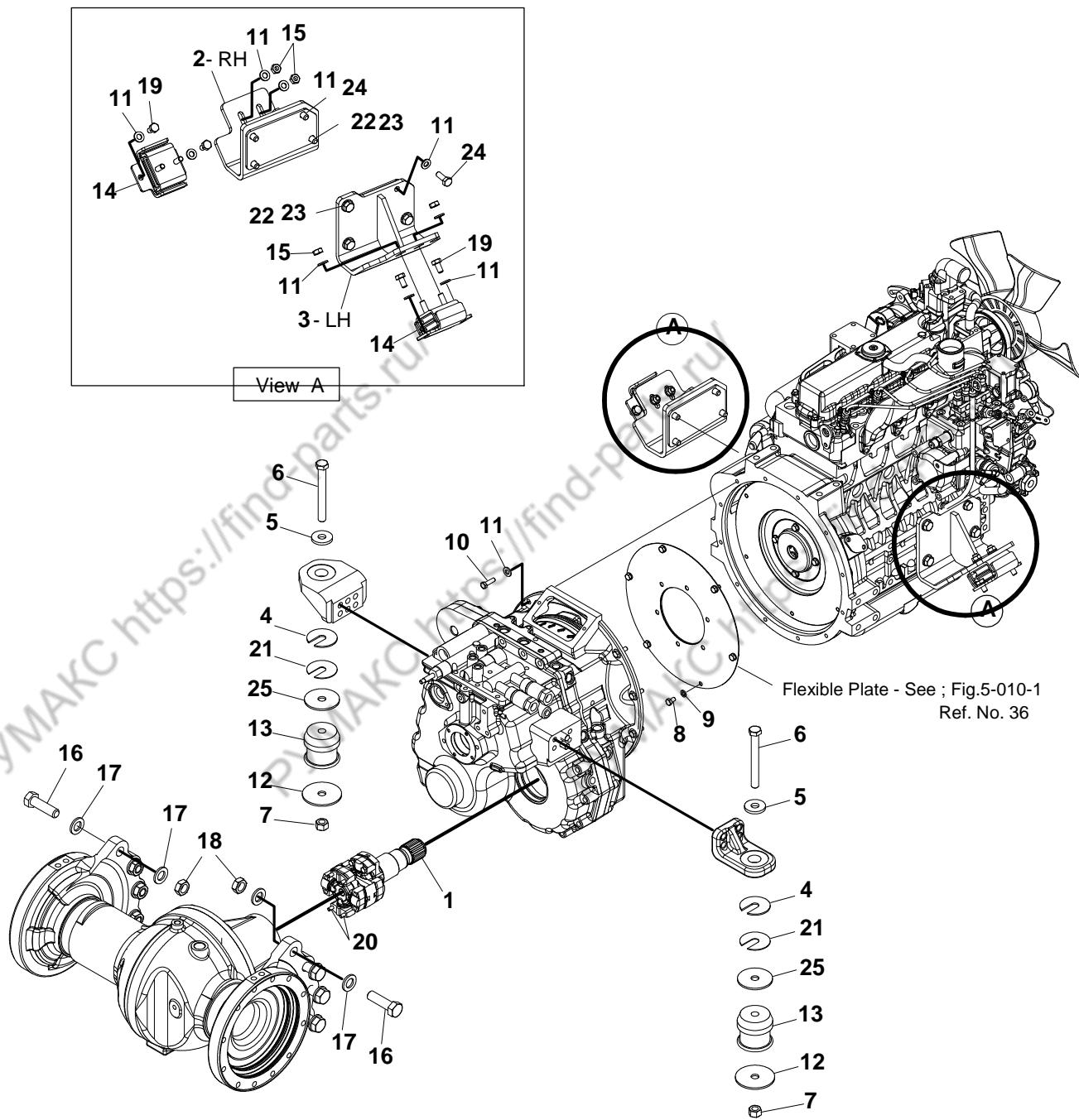


D15/18S5 D20SC-5

FIG.1-080-0

A381981 Lines Gp - Troque Converter Cooler

NOTE	ITEM NO.	PART NUMBER	QTY	DESCRIPTION	CHANGE CODE	START SERIAL NO.					
						EM0UT	EM0UU	FDA01	FDA02	FDA03	-
E	1	D909042	360	Hose							
	2	A213669	1	Elbow							
	3	S8040081	2	O-Ring							
	4	S8450016	4	Clamp							
	5	A213915	1	Elbow							
	6	D700214	1	Plug							
	7	D580786	2	Strap							
	8	D580399	2	Clip							
	9	S0508863	1	Bolt							
	10	D917092	1	Washer							

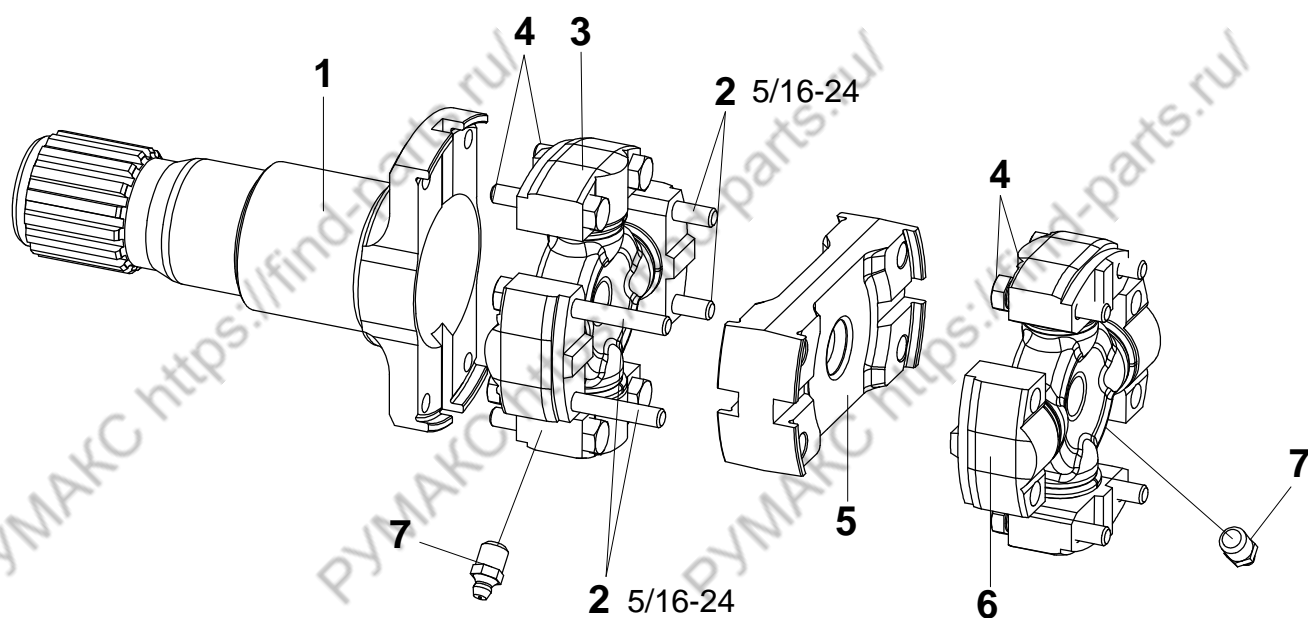


D15/18S5 D20SC-5

FIG.1-090-0

A381958 Mounting Gp - Power Train & E/G

NOTE	ITEM NO.	PART NUMBER	QTY	DESCRIPTION	CHANGE CODE	START SERIAL NO.					
						EM0UT	EM0UU	FDA01	FDA02	FDA03	-
Y	1	130804-00023	1	U-Joint							
	2	A382024	1	Bracket Ass. ʘy-RH							
	3	A382026	1	Bracket Ass. ʘy-LH							
	4	D700334	2	Shim							
	5	D917221	2	Washer							
	6	S0566961	2	Bolt							
	7	D582117	2	Nut							
	8	S0508663	6	Bolt							
	9	D917092	6	Washer							
	10	S0512063	10	Bolt							
	11	D917093	19	Washer							
	12	D917264	2	Washer							
	13	A403640	2	Mount-Rubber-T/M							
	14	A403641	2	Mount-Rubber-E/G							
	15	S4012643	4	Nut							
	16	S0770266	8	Bolt							
	17	D917062	16	Washer							
	18	S4035133	8	Nut							
	19	S0511863	4	Bolt							
	20		4	Bolt(Supplied With U-Joint)							
	21	D700333	2	Shim							
	22	S0715263	7	Bolt							
	23	D917091	7	Washer							
	24	S0712263	1	Bolt							
	25	D917163	2	Washer							

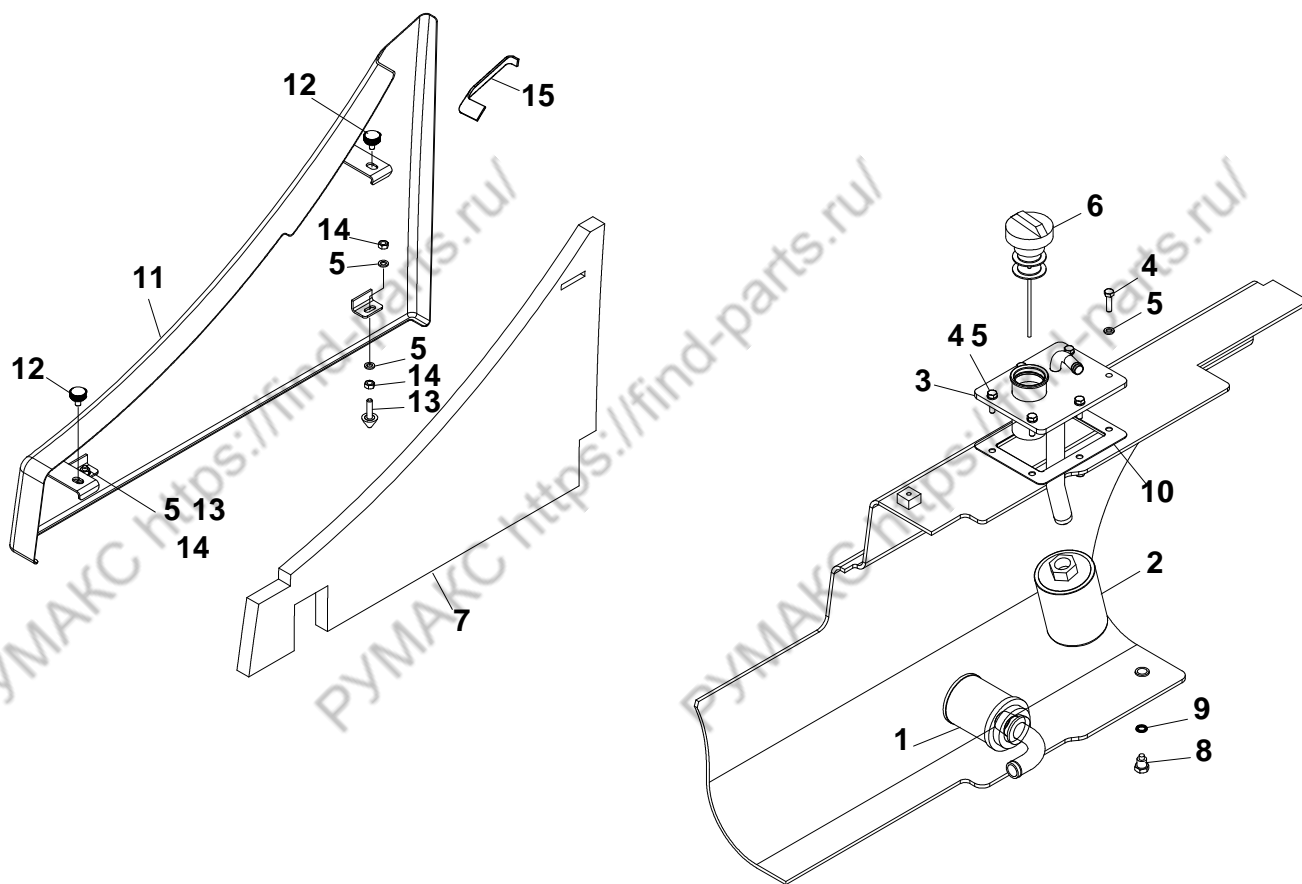


D15/18S5 D20SC-5

FIG.1-090-1

130804-00023 U - Joint

NOTE	ITEM NO.	PART NUMBER	QTY	DESCRIPTION	CHANGE CODE	START SERIAL NO.					
						EM0UT	EM0UU	FDA01	FDA02	FDA03	-
	1	130712-00194	1	Yoke Shaft							
	2	120112-00178	4	Bolt							
	3	140102-00001	1	Bearing, Journal							
	4	120112-00179	8	Bolt							
	5	430210-00029	1	Coupling							
	6	140102-00002	1	Bearing, Journal							
	7	101552-00025	2	Nipple, Grease							

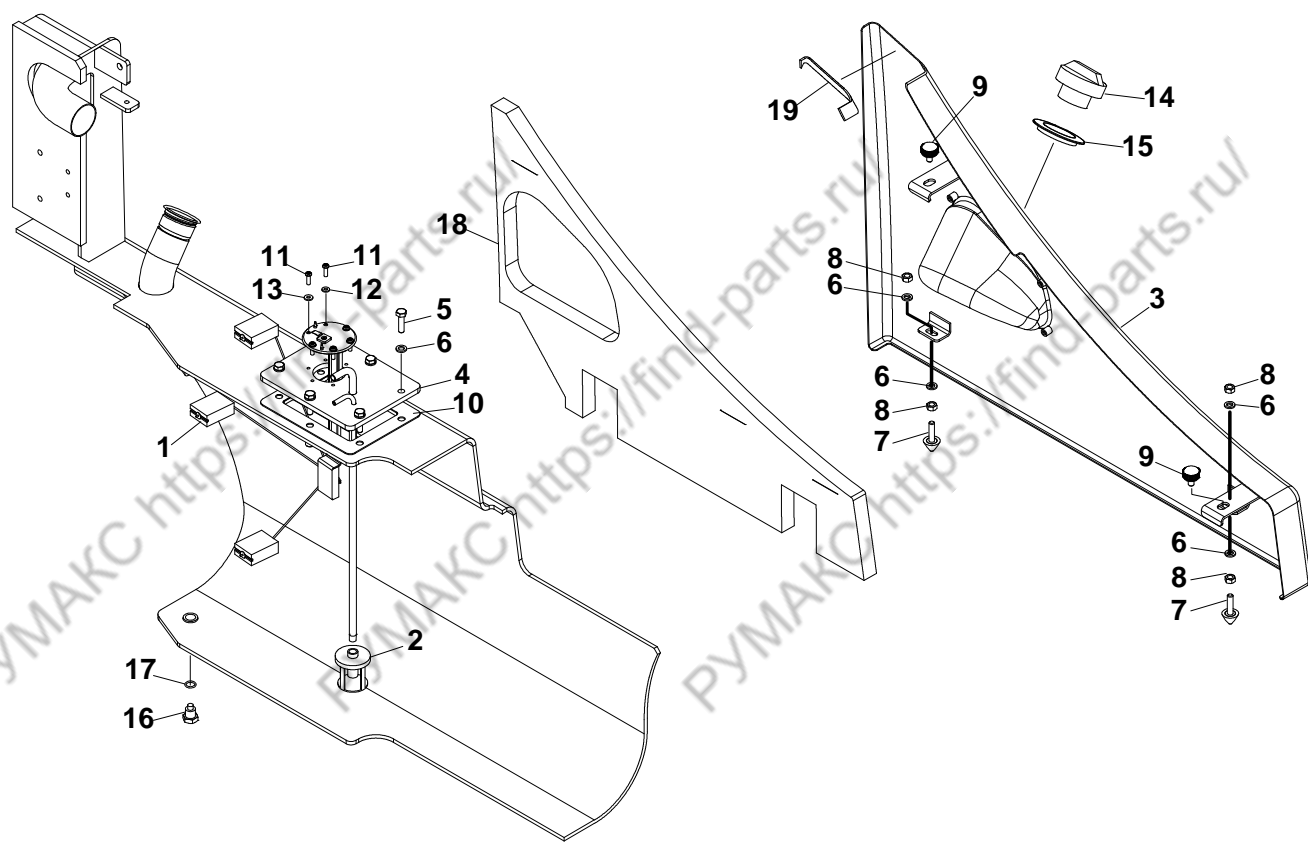


D15/18S5 D20SC-5

FIG.1-100-1

A382000 Gage Gp - Oil Level

NOTE	ITEM NO.	PART NUMBER	QTY	DESCRIPTION	CHANGE CODE	START SERIAL NO.					
						EM0UT	EM0UU	FDA01	FDA02	FDA03	-
	1	D501397	1	Filter Ass. ʘy-Suction							
	2	D516976	1	Filter Ass. ʘy-Return							
	3	A382001	1	Plate Ass. ʘy-HYD Tank Cover							
	4	S0509263	6	Bolt							
	5	D917092	10	Washer							
	6	A432769	1	Cap Ass. ʘy-HYD							
	7	A411492	1	Foam Side-RH							
	8	D909156	1	Plug							
	9	S8040061	1	O-Ring							
	10	A401858	1	Gasket							
	11	A381226	1	Panel Ass. ʘy-RH							
	12	A152593	2	Bolt-Knob							
	13	A242530	2	Stopper Ass. ʘy							
	14	S4012533	4	Nut							
E	15	D700327	18	Seal							

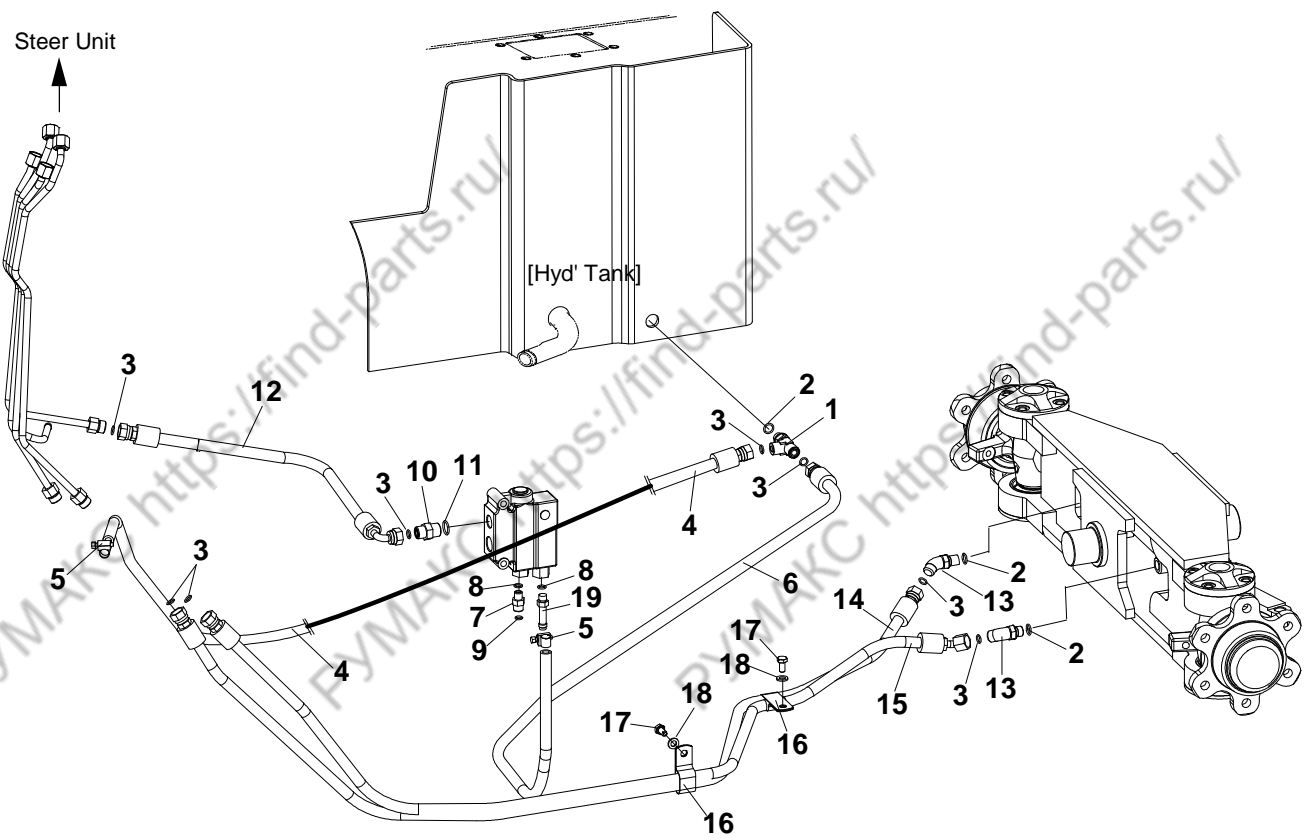


D15/18S5 D20SC-5

FIG.1-100-2

A382004 Cap Gp - Fuel

NOTE	ITEM NO.	PART NUMBER	QTY	DESCRIPTION	CHANGE CODE	START SERIAL NO.				
						EMOUT	EMOUU	FDA01	FDA02	FDA03
C	1	A214027	1	Sender Ass. ʘy	N					
		301316-00025	1	Sender Ass. ʘy						
	2	A363038	1	Strainer						
	3	A381312	1	Panel Ass. ʘy-Fuel Cover						
	4	A382032	1	Cover Ass. ʘy-Fuel Tank						
	5	S0509263	6	Bolt						
	6	D917092	10	Washer						
	7	A242530	2	Stopper Ass. ʘy						
	8	S4012533	4	Nut						
	9	A152593	2	Bolt-Knob						
	10	A401858	1	Gasket						
	11	S3450853	6	Screw						
	12	D917224	5	Washer						
	13	D919018	1	Gasket-Fuel Valve						
	14	A331904	1	Cap-Fuel(Without Key)						
		A331905	1	Cap-Fuel(With Key) - Option						
	15	A211405	1	Seal-Fuel Filler						
	16	D909156	1	Plug						
17	S8040061	1	O-Ring							
18	A402573	1	Foam-Side-LH(Fuel)							
E	19	D700327	18	Seal						

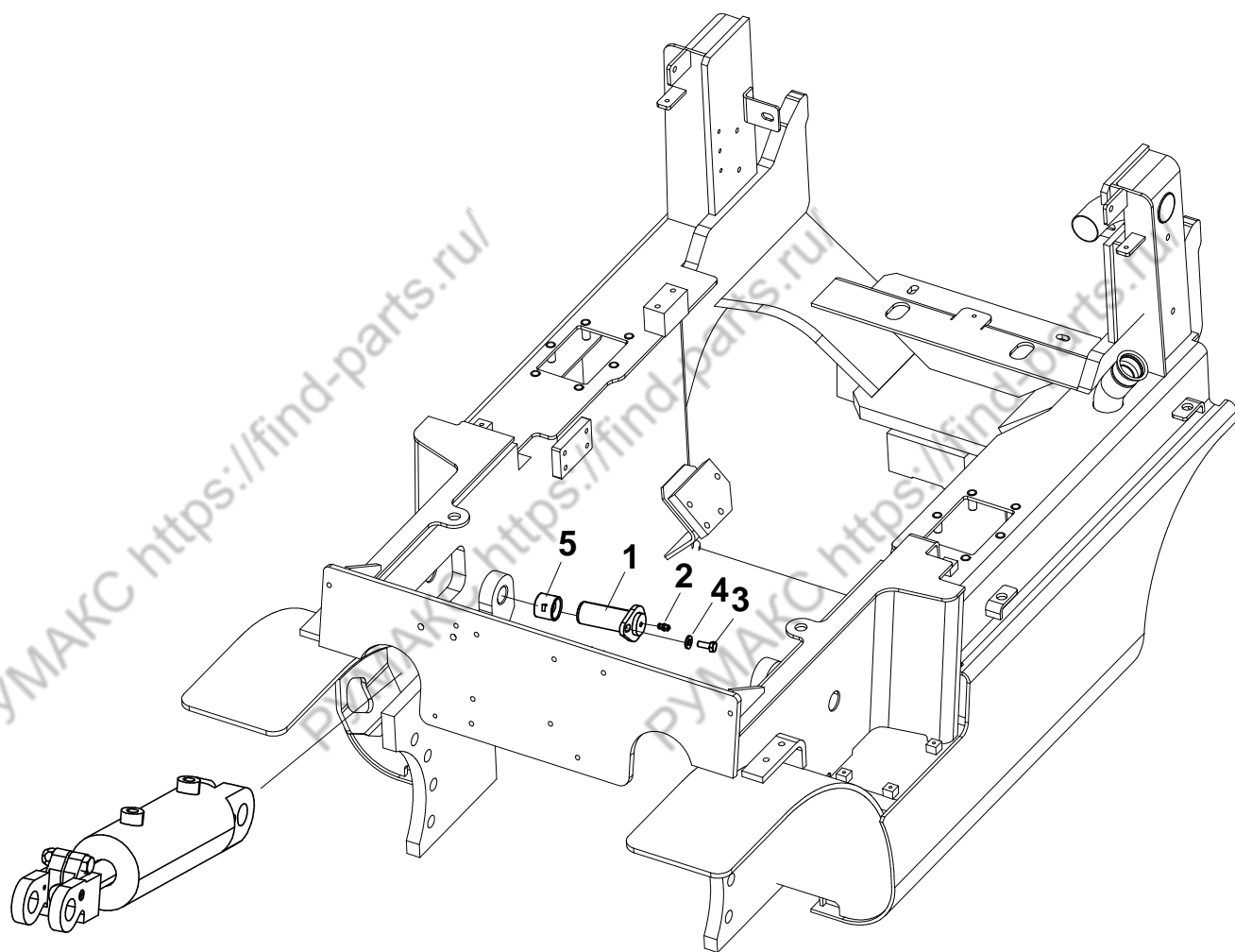


D15/18S5 D20SC-5

FIG.1-110-0

A381207 Lines Gp - Power Steering

NOTE	ITEM NO.	PART NUMBER	QTY	DESCRIPTION	CHANGE CODE	START SERIAL NO.					
						EM0UT	EM0UU	FDA01	FDA02	FDA03	-
	1	D908013	1	Tee							
	2	S8040061	3	O-Ring							
	3	S8030061	8	O-Ring							
	4	DS2032013	1	Hose							
	5	S8450012	2	Clamp							
	6	DS2032014	1	Hose As							
	7	D905029	1	Connector							
	8	S8040041	2	Seal-O-Ring							
	9	S8030041	1	O-Ring							
	10	D905011	1	Connector							
	11	S8040081	1	O-Ring							
	12	DS2012459	1	Hose Ass. ʹy							
	13	D902033	2	Elbow 45							
	14	DS2011631	1	Hose Ass. ʹy							
	15	DS2012458	1	Hose Ass. ʹy							
	16	D668514	2	Clip							
	17	S0508663	2	Bolt							
	18	D917092	2	Washer							
	19	D700971	1	Connector							

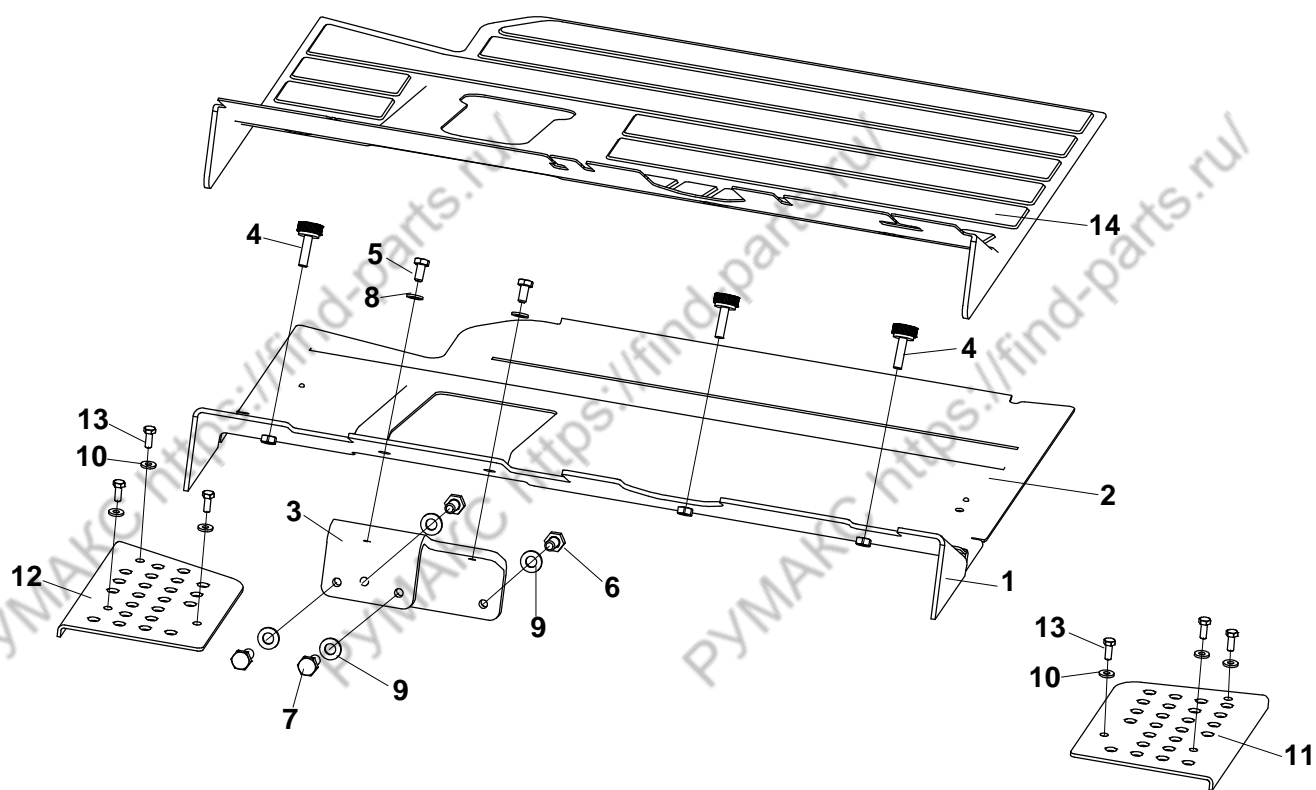


D15/18S5 D20SC-5

FIG.1-120-0

A271066 Tilt Mounting Gp

NOTE	ITEM NO.	PART NUMBER	QTY	DESCRIPTION	CHANGE CODE	START SERIAL NO.					
						EM0UT	EM0UU	FDA01	FDA02	FDA03	-
	1	A156295	2	Pin Ass. 7y							
	2	S6710017	2	Nipple							
	3	S0504863	2	Bolt							
	4	D917170	2	Washer							
	5	D580028	2	Bushing							

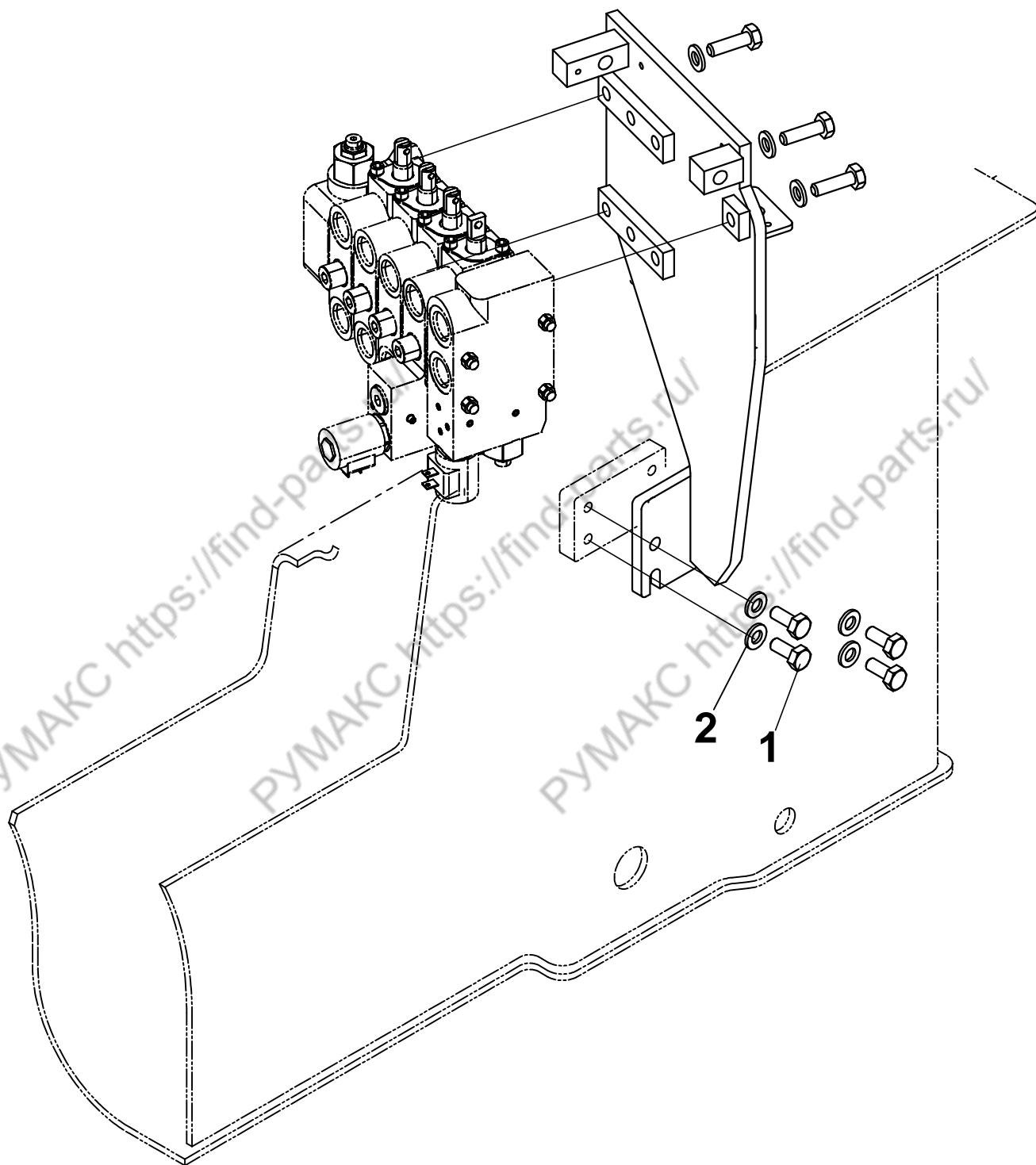


D15/18S5 D20SC-5

FIG.1-130-0

A381208 Floor Plate Gp

NOTE	ITEM NO.	PART NUMBER	QTY	DESCRIPTION	CHANGE CODE	START SERIAL NO.					
						EM0UT	EM0UU	FDA01	FDA02	FDA03	-
	1	A381232	1	Plate Ass. ʹy-Front							
	2	A381482	1	Plate Ass. ʹy-Floor							
	3	A411316	1	Bracket							
	4	A211480	3	Bolt-Knob							
	5	S0508663	2	Bolt							
	6	S0511863	2	Bolt							
	7	S0512263	2	Bolt							
	8	D917092	2	Washer							
	9	D917093	4	Washer							
	10	D917170	6	Washer							
	11	A381309	1	Plate-LH							
	12	A381310	1	Plate-RH							
	13	S0504663	6	Bolt							
	14	A381323	1	Floor Mat							

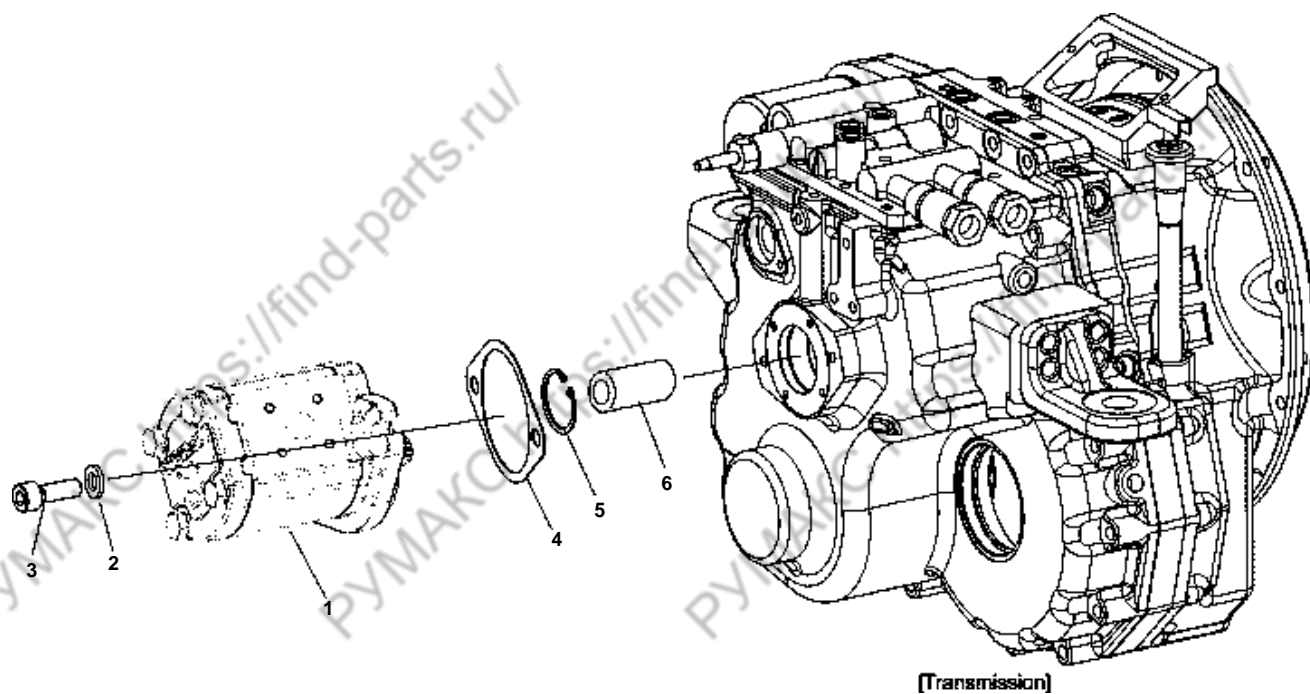


D15/18S5 D20SC-5

FIG.1-140-0

A381197 Mounting Gp - Valve

NOTE	ITEM NO.	PART NUMBER	QTY	DESCRIPTION	CHANGE CODE	START SERIAL NO.					
						EM0UT	EM0UU	FDA01	FDA02	FDA03	-
	1	S0512063	4	Bolt							
	2	D917093	4	Washer							



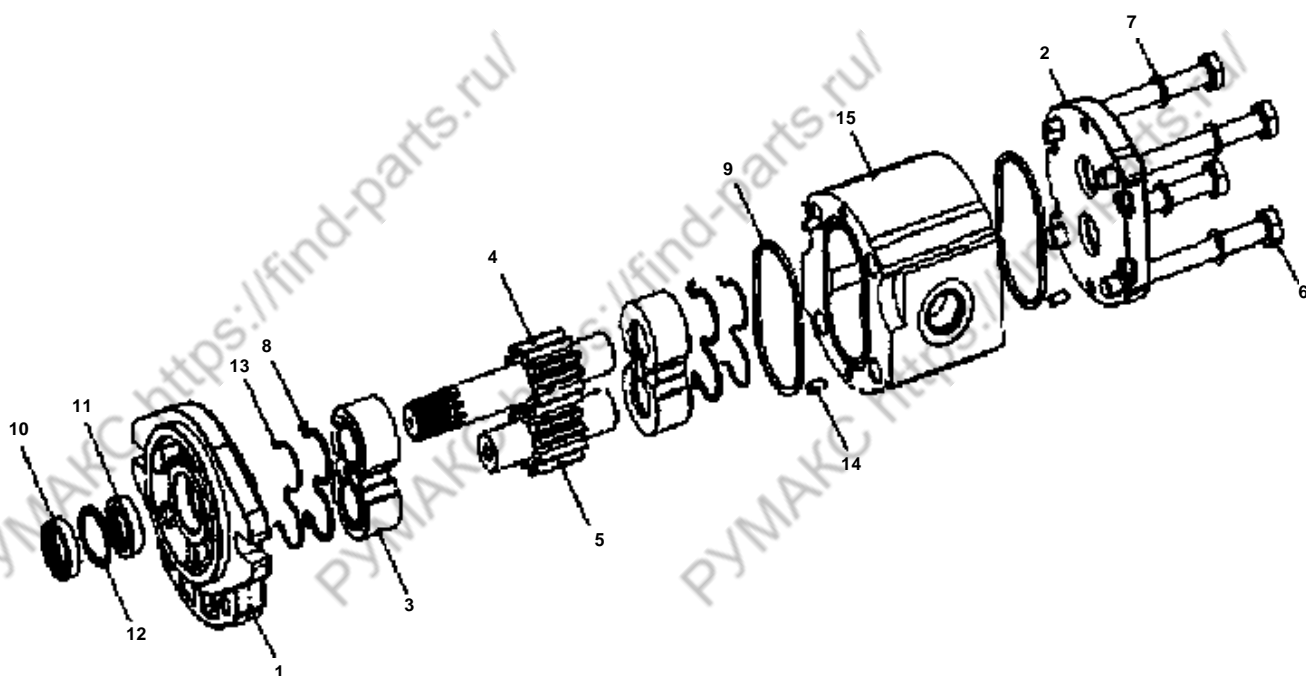
[Transmission]

D15/18S5 D20SC-5

FIG.1-150-0

A381414 Pump Gp - Gear

NOTE	ITEM NO.	PART NUMBER	QTY	DESCRIPTION	CHANGE CODE	START SERIAL NO.					
						EM0UT	EM0UU	FDA01	FDA02	FDA03	-
Y	1	D514201	1	Pump Ass. y							
	2	D917096	2	Washer							
	3	S2212261	2	Bolt							
	4	D500204	1	Gasket							
	5	S6510160	1	Snap Ring							
	6	A213099	1	Coupling							

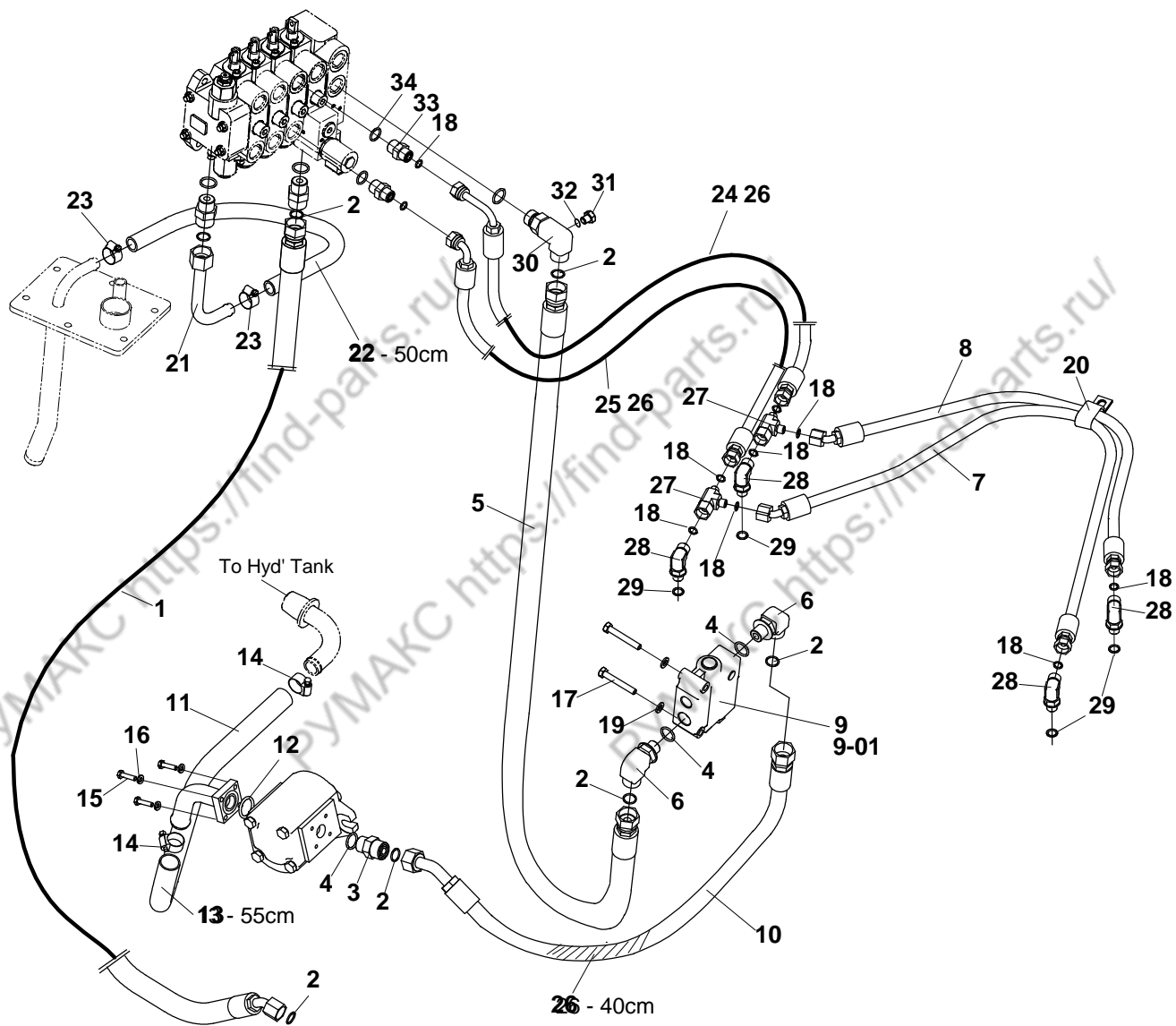


D15/18S5 D20SC-5

FIG.1-150-1

D514201 Pump Ass. 7y - Gear

NOTE	ITEM NO.	PART NUMBER	QTY	DESCRIPTION	CHANGE CODE	START SERIAL NO.					
						EM0UT	EM0UU	FDA01	FDA02	FDA03	-
	1		1	Front Cover							
	2		1	Rear Cover							
	3		2	Thrust Plate							
	4		1	Drive Shaft							
	5		1	Driven Gear							
	6		4	Screw Bolt							
	7		4	Washer							
J	8		2	Seal							
J	9		2	Standard Seal							
J	10		1	Shaft Seal							
J	11		1	Shaft Seal							
	12		1	Ring							
J	13		2	Anti Extrusion							
	14		4	Dowel Pin							
	15		1	Body							
		D517391	1	Seal Kit (Includes Parts Marked J)							

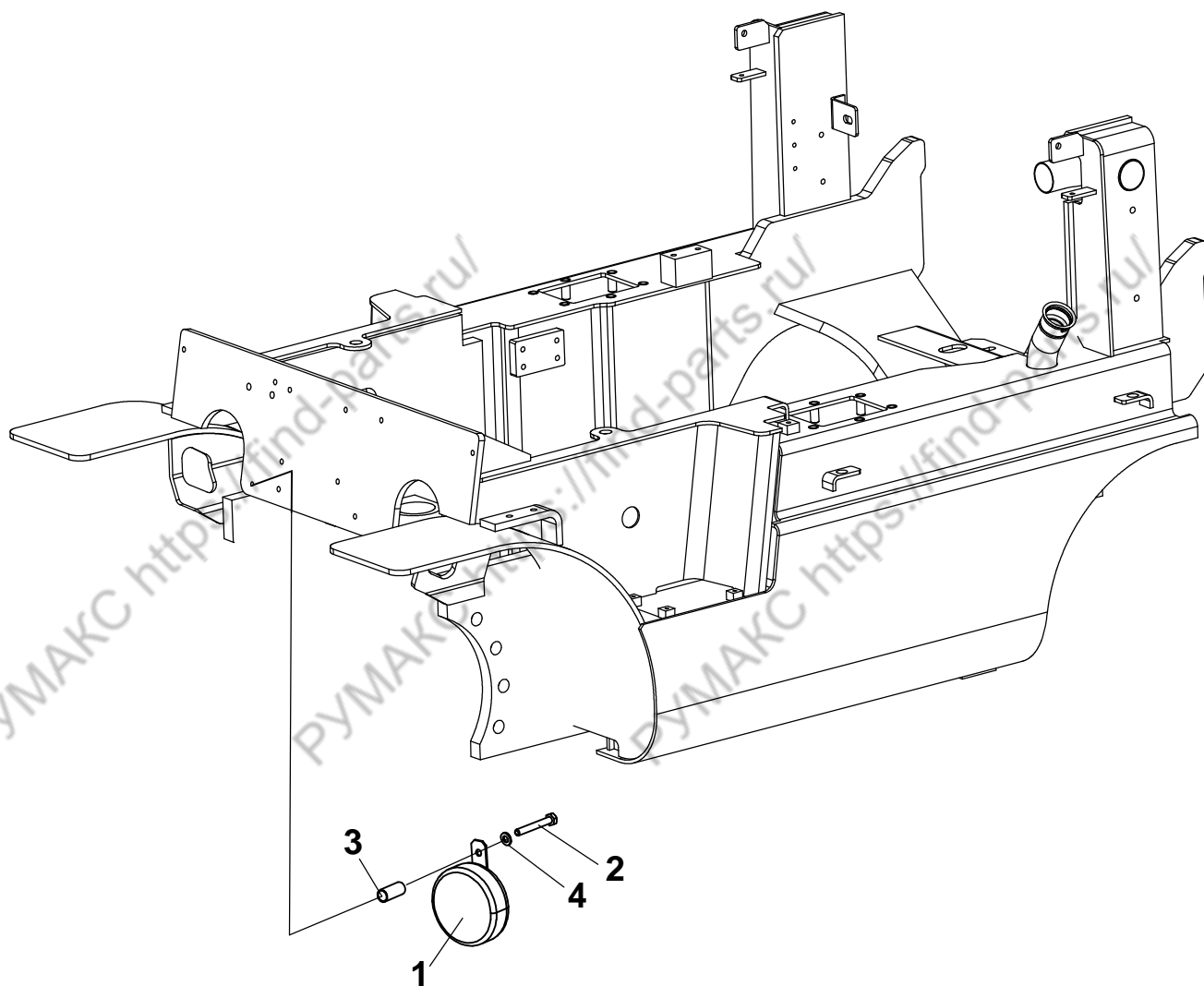


D15/18S5 D20SC-5

FIG.1-160-0

A381206 Mast Gp - Operating

NOTE	ITEM NO.	PART NUMBER	QTY	DESCRIPTION	CHANGE CODE	START SERIAL NO.					
						EM0UT	EM0UU	FDA01	FDA02	FDA03	-
	1	DS2012264	1	Hose Ass. 7y							
	2	S8030101	4	O-Ring							
	3	D905009	1	Connector							
	4	S8040101	3	O-Ring							
	5	DS2011633	1	Hose Ass. 7y							
	6	D902027	2	Elbow							
	7	DS2012457	1	Hose Ass. 7y							
	8	A135226	1	Hose Ass. 7y							
	9	A251581	1	Priority V/V							
	9-01	D501997	1	Repair Kit							
	10	DS2012182	1	Hose Ass. 7y							
	11	A391299	1	Tube Ass. 7y							
	12	S8000251	1	Seal-O-Ring							
E	13	D164407	55	Hose-Bulk							
	14	S8450023	2	Clamp							
	15	S0505063	4	Bolt							
	16	S5102303	4	Washer							
	17	S0556463	2	Bolt							
	18	S8030061	6	O-Ring							
	19	D917092	2	Washer							
	20	D580399	2	Clip							
	21	A271882	1	Tube Ass. 7y							
E	22	D480555	50	Hose							
	23	S8450016	2	Clamp							
	24	DS2013986	1	Hose Ass. 7y							
	25	DS2013985	1	Hose Ass. 7y							
E	26	D164430	120	Protector							
	27	A225038	2	Tee							
	28	D580391	4	Elbow							
	29	S8040061	4	O-Ring							
	30	DS2471002	1	Elbow							
	31	D909133	1	Plug							
	32	S8000081	1	Seal-O-Ring							
	33	D905011	2	Connector							
	34	S8040081	2	Seal-O-Ring							

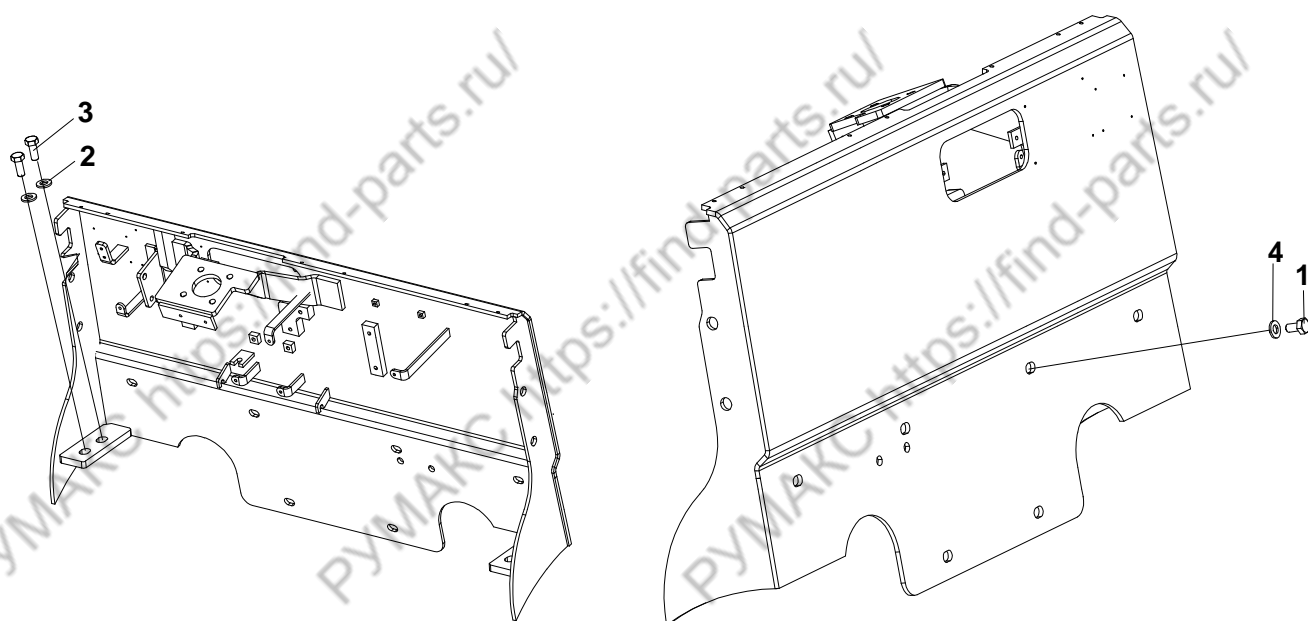


D15/18S5 D20SC-5

FIG.1-170-0

A214026 Horn Gp - Electric

NOTE	ITEM NO.	PART NUMBER	QTY	DESCRIPTION	CHANGE CODE	START SERIAL NO.					
						EM0UT	EM0UU	FDA01	FDA02	FDA03	-
	1	D560080	1	Horn Ass. ʘy							
	2	S0509663	1	Bolt							
	3	D147501	1	Spacer							
	4	D917092	1	Washer							

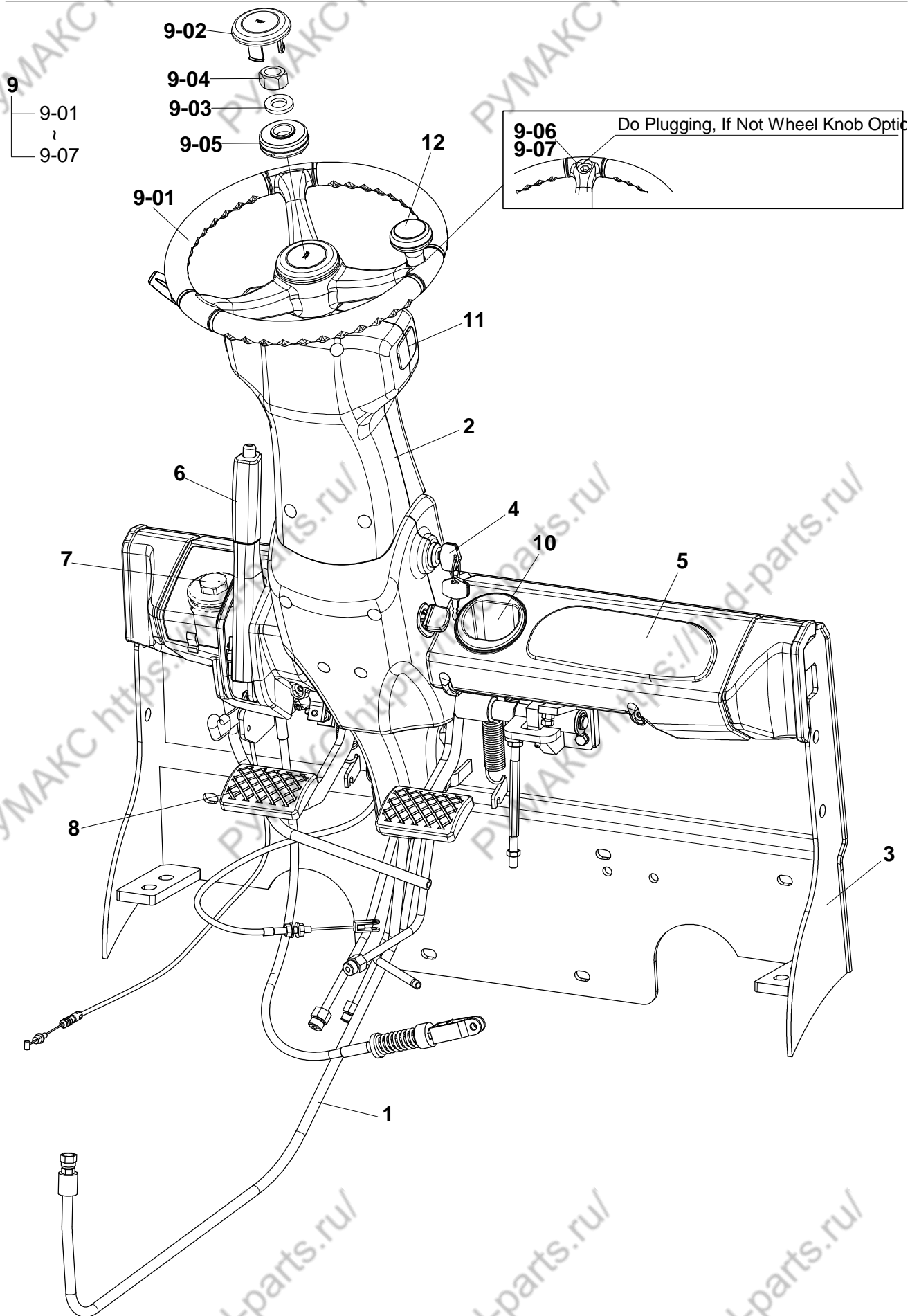


D15/18S5 D20SC-5

FIG.1-180-0

A381203 Mounting Gp - Front Cockpit Unit

NOTE	ITEM NO.	PART NUMBER	QTY	DESCRIPTION	CHANGE CODE	START SERIAL NO.					-
						EM0UT	EM0UU	FDA01	FDA02	FDA03	
	1	S0515263	4	Bolt							
	2	D917093	6	Washer							
	3	S0511863	6	Bolt							
	4	D917091	4	Washer							

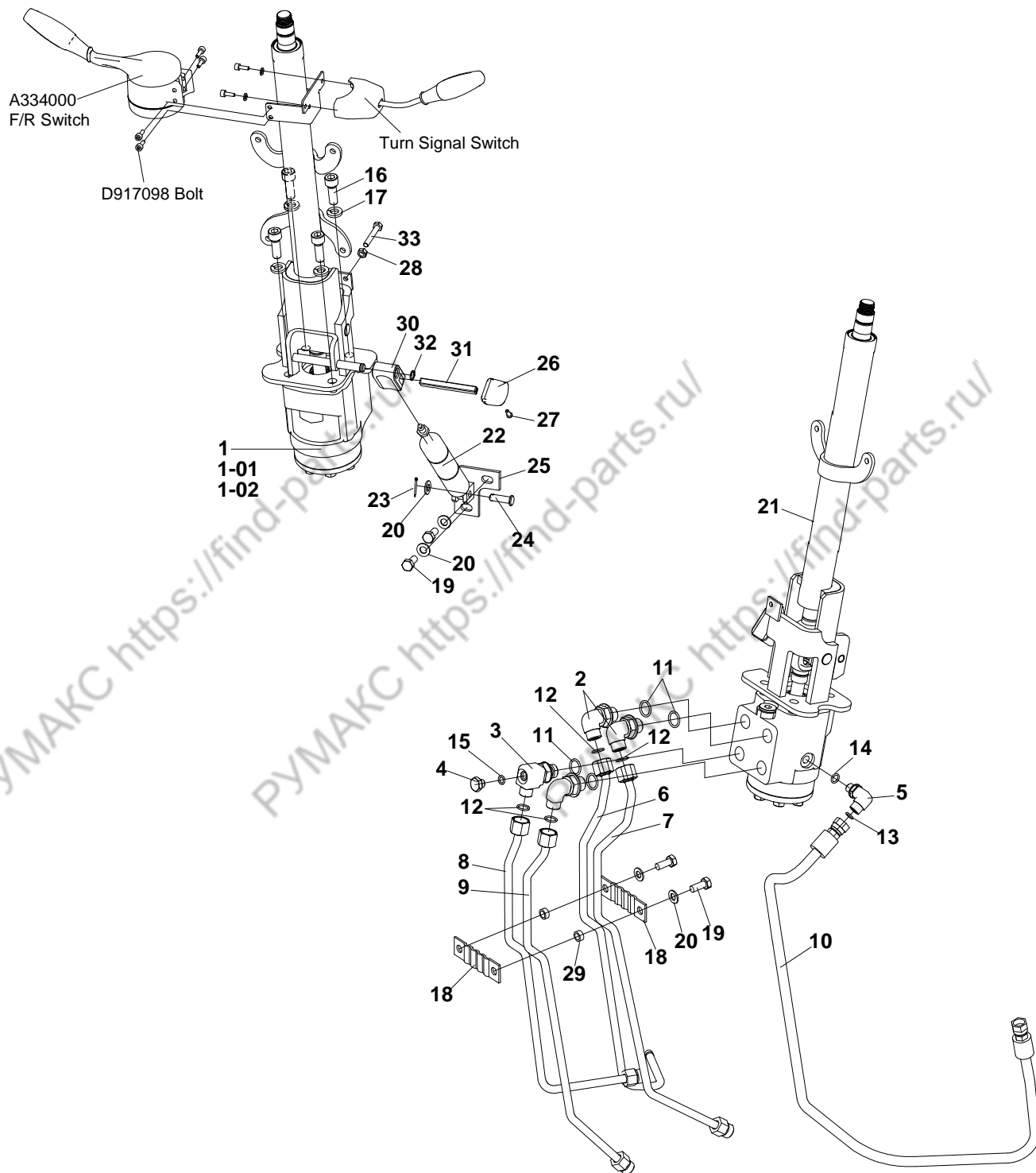


D15/18S5 D20SC-5

FIG.1-190-0

A381125 Front Cockpit Unit - Basic

NOTE	ITEM NO.	PART NUMBER	QTY	DESCRIPTION	CHANGE CODE	START SERIAL NO.					
						EM0UT	EM0UU	FDA01	FDA02	FDA03	-
Y	1	A381283	1	Steering Gp							
Y	2	A411426	1	Cover Gp							
	3	A382051	1	Cowl Ass. ʏy							
Y	4	310208-00069	1	Wiring Gp							
Y	5	A402442	1	Instrument Gp							
Y	6	A402426	1	Parking Gp-FCU							
Y	7	A381321	1	Reservoir Gp							
Y	8	A402423	1	Pedal Gp-Inching & Brake							
	9	A158663	1	Wheel Gp-FCU							
	9-01	A401079	1	Wheel							
	9-02	A401081	1	Button-Horn							
	9-03	S5001013	1	Washer							
	9-04	S4035033	1	Nut							
	9-05	A401082	1	Horn-Switch							
	9-06	A431032	1	Plug-Upper							
	9-07	A431033	1	Plug-Lower							
	10	A401093	1	Pocket-Pencil							
	11	A401391	1	Plug-Turn Signal Lever							
	12	A401083	1	Knob-Steer Wheel(Option)							

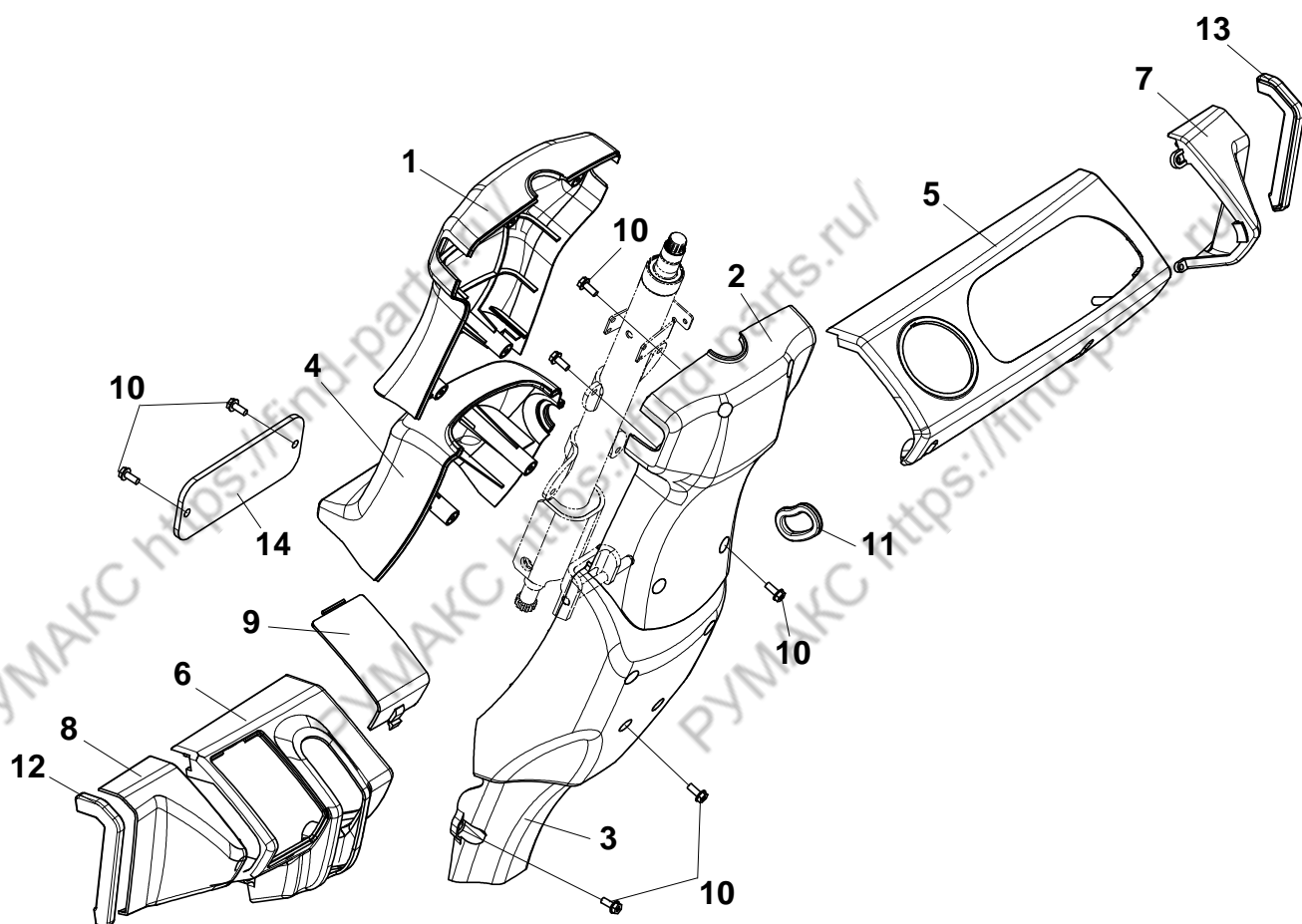


D15/18S5 D20SC-5

FIG.1-190-1

A381283 Steering Gp

NOTE	ITEM NO.	PART NUMBER	QTY	DESCRIPTION	CHANGE CODE	START SERIAL NO.					
						EM0UT	EM0UU	FDA01	FDA02	FDA03	-
	1	A385006	1	Steering Unit							
	1-01	A215283	1	Seal Kit							
	1-02	A215284	1	Bearing Kit							
	2	D902002	1	Elbow 90							
	3	DS2470001	1	Elbow							
	4	D909133	1	Plug							
	5	D902003	1	Elbow							
	6	A381282	1	Tube Ass. 7y							
	7	A381280	1	Tube Ass. 7y							
	8	A381281	1	Tube Ass. 7y							
	9	A401318	1	Tube Ass. 7y							
	10	DS2011009	1	Hose Ass. 7y							
	11	S8040081	7	O-Ring							
	12	S8030061	4	O-Ring							
	13	S8030041	1	O-Ring							
	14	S8040041	1	O-Ring							
	15	S8000081	1	O-Ring							
	16	S2212261	4	Bolt							
	17	S5102603	4	Washer							
	18	D421604	2	Clamp							
	19	S0508863	6	Bolt							
	20	S5010513	5	Washer							
	21	A409689	1	Steering Column Ass. 7y							
	22	A409182	1	Gas Cylinder							
	23	S5760232	1	Pin-Clevis							
	24	S5735261	1	Pin-Cotter							
	25	A402029	1	Yoke Ass. 7y							
	26	A401096	1	Knob-Tilt							
	27	S3450583	1	Screw							
	28	S4012533	1	Nut							
	29	D700208	2	Spacer							
	30	A401624	1	Yoke							
	31	A401163	1	Lever							
	32	S6500100	1	Ring-Retaining							
	33	S0509463	1	Bolt							

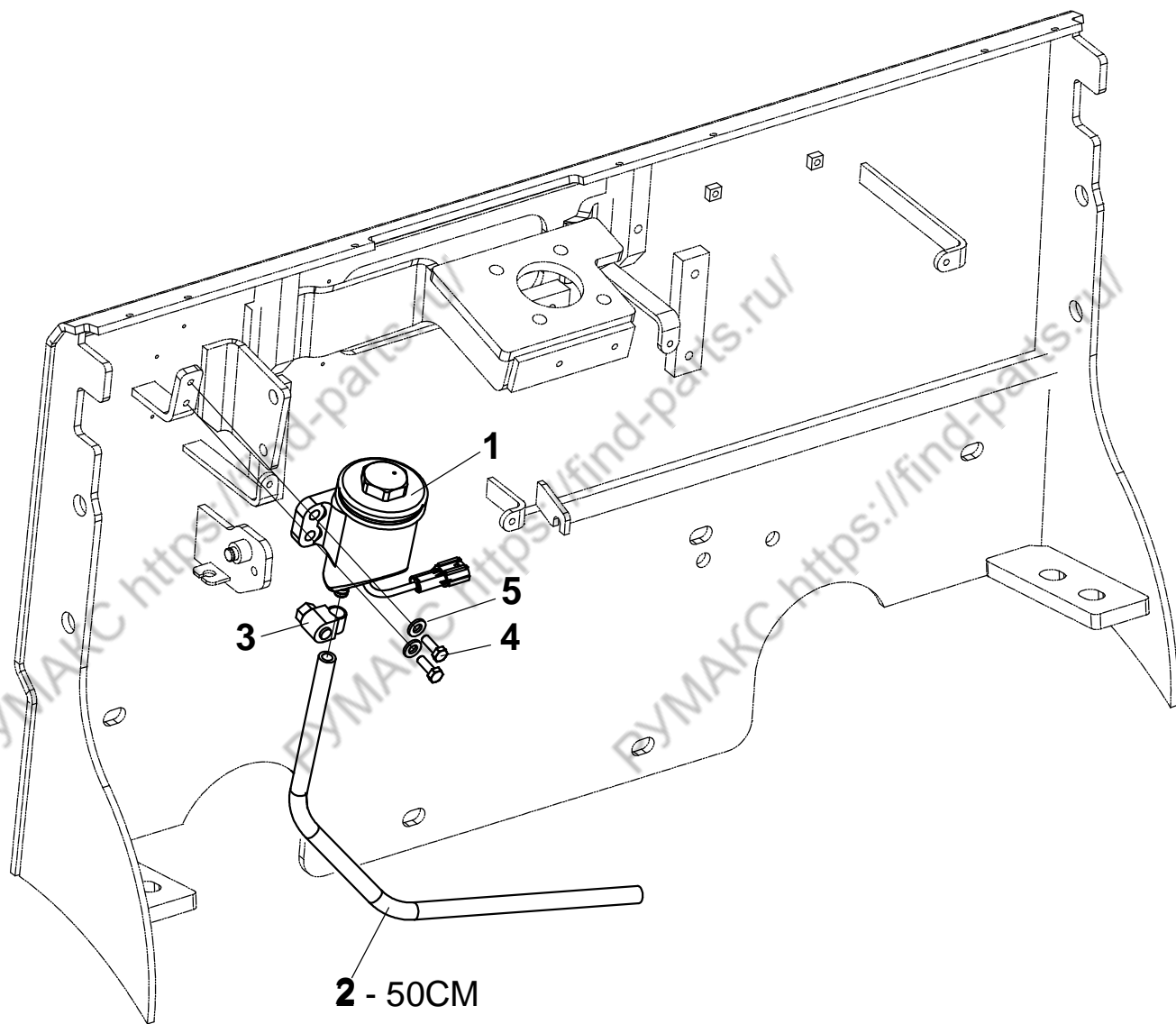


D15/18S5 D20SC-5

FIG.1-190-2

A411426 Cover Gp

NOTE	ITEM NO.	PART NUMBER	QTY	DESCRIPTION	CHANGE CODE	START SERIAL NO.					
						EM0UT	EM0UU	FDA01	FDA02	FDA03	-
	1	A401394	1	Cover-Front Console							
	2	A401395	1	Cover-Rear Console							
	3	A401396	1	Cover-Front Cowl							
	4	A401397	1	Cover-Rear Cowl							
	5	A401088	1	Cover-Cowl-RH							
	6	A401089	1	Cover-Cowl-LH							
	7	A411324	1	Cover-Side-RH							
	8	A411323	1	Cover-Side-LH							
	9	A401095	1	Cap-Reservoir							
	10	A401155	18	Bolt							
	11	A401398	1	Rubber							
	12	A431028	1	Rubber							
	13	A431031	1	Rubber							
	14	A402121	1	Cover-Front Plate							

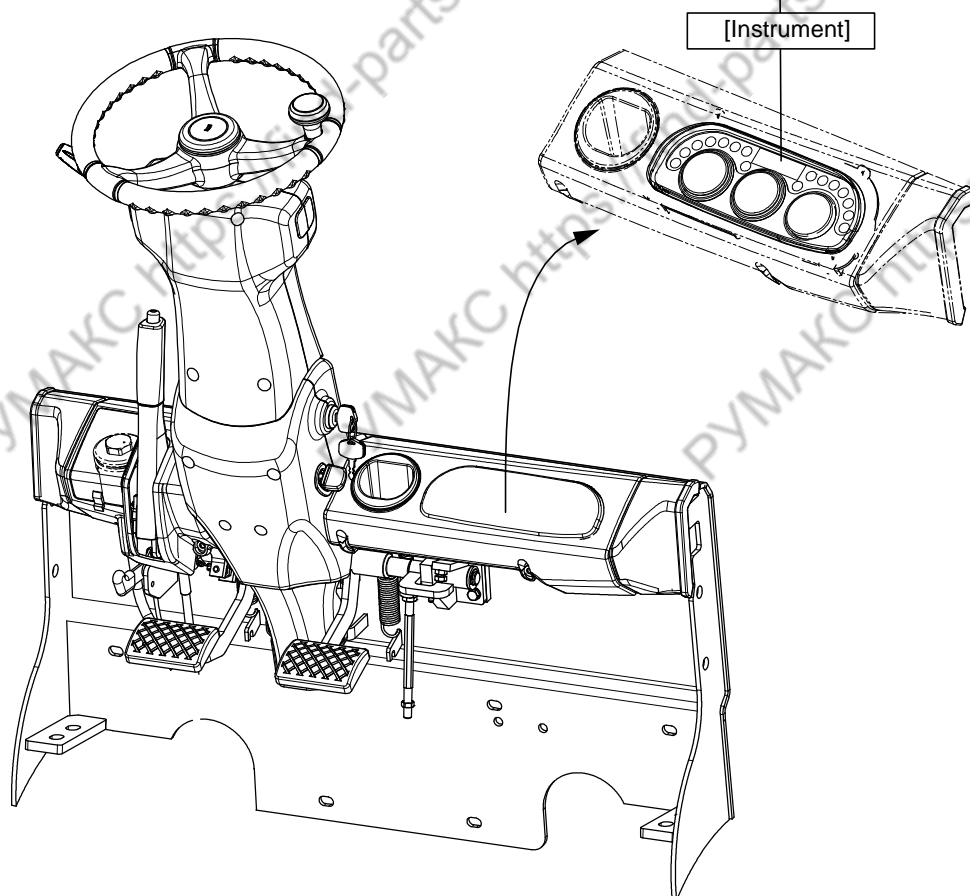
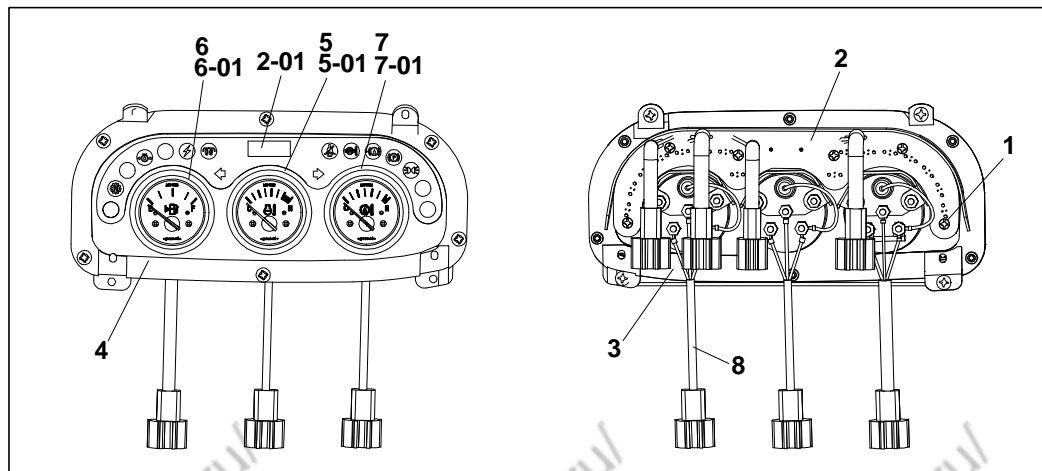


D15/18S5 D20SC-5

FIG.1-190-3

A381321 Reservoir Gp

NOTE	ITEM NO.	PART NUMBER	QTY	DESCRIPTION	CHANGE CODE	START SERIAL NO.					
						EM0UT	EM0UU	FDA01	FDA02	FDA03	-
E	1	A159136	1	Reservoir-Brake							
	2	D600453	50	Hose							
	3	S8450006	1	Clamp							
	4	S0504763	2	Bolt							
	5	D917094	2	Washer							

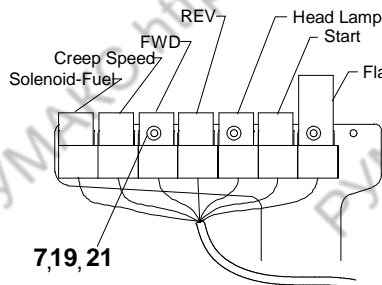
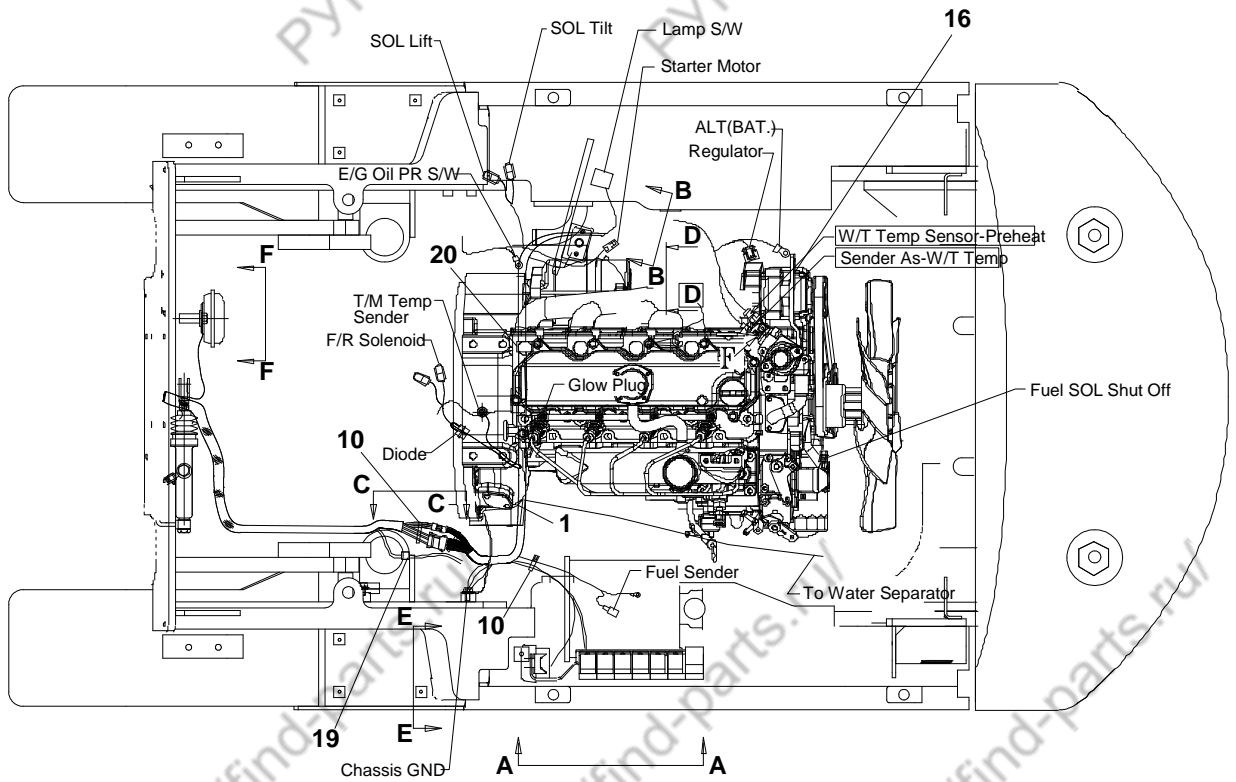


D15/18S5 D20SC-5

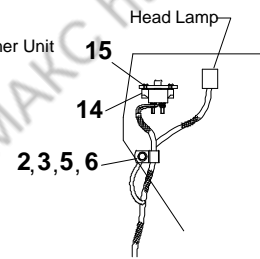
FIG.1-190-4

A402442 Instrument Gp

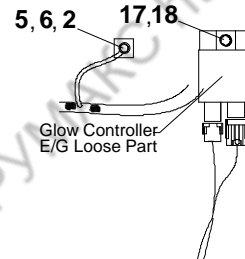
NOTE	ITEM NO.	PART NUMBER	QTY	DESCRIPTION	CHANGE CODE	START SERIAL NO.					
						EM0UT	EM0UU	FDA01	FDA02	FDA03	-
		A402439	1	Instrument Ass. ѓy							
	1	A331859	6	Screw							
	2	A404058	1	Board Ass. ѓy							
	2-01	A404007	1	Hour Meter							
	3	A331857	1	Housing							
	4	A331858	1	Lens Cover							
	5	A404024	1	Gage Ass. ѓy-Coolant							
	5-01	D540116	1	Bulb							
	6	A404025	1	Gage Ass. ѓy-Fuel							
	6-01	D540116	1	Bulb							
	7	A404026	1	Gage Ass. ѓy-T/M Oil							
	7-01	D540116	1	Bulb							
	8	A354028	3	Harness Ass. ѓy							



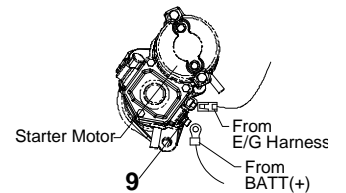
View A - A



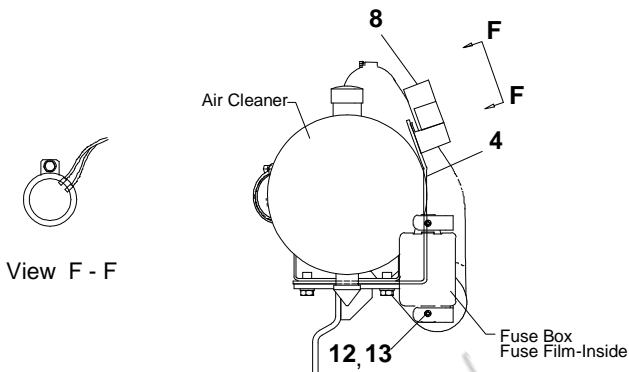
View B - B



View C - C



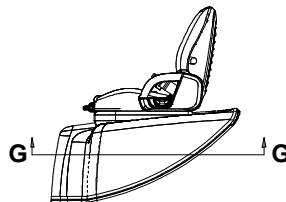
View D - D



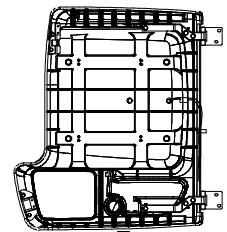
View E - E



View F - F



View G - G

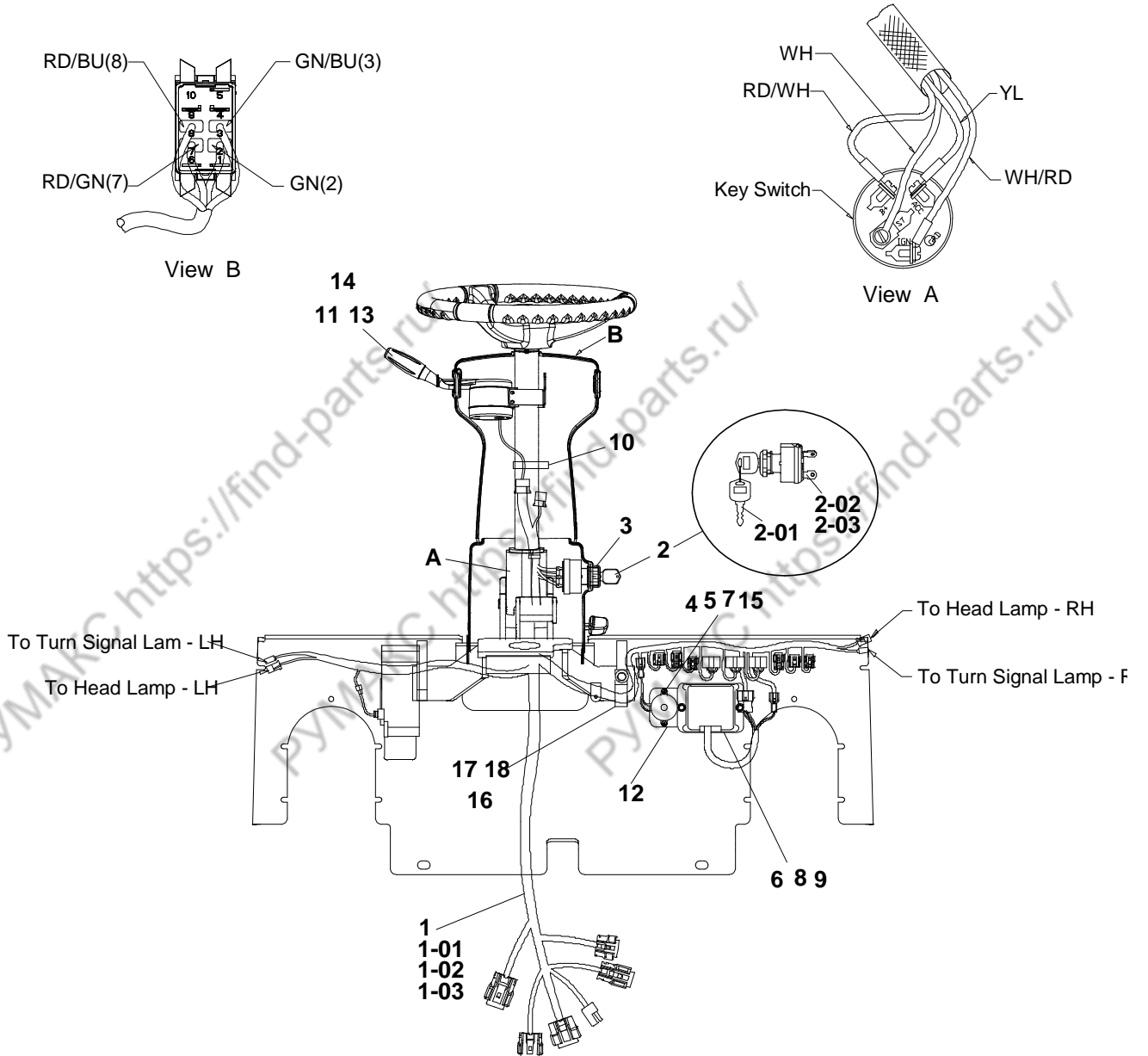


D15/18S5 D20SC-5

FIG.1-200-0

A382039 Wiring Gp

NOTE	ITEM NO.	PART NUMBER	QTY	DESCRIPTION	CHANGE CODE	START SERIAL NO.					
						EM0UT	EM0UU	FDA01	FDA02	FDA03	-
	1	A384031	1	Harness Ass. ʘy-Engine							
	1-01	A334010	4	Diode-Flying							
	1-02	D544045	1	Diode							
	1-03	A124008	2	Fuse-10A							
	1-04	D544005	7	Fuse-15A							
	1-05	D544082	1	Fuse-30A							
	2	D917024	2	washer							
	3	D560094	1	Clip							
	4	A381291	1	Plate Ass. ʘy-Relay							
	5	S0508463	2	Bolt							
	6	D917092	2	Washer							
	7	S4012233	3	Nut							
	8	A404157	6	Relay Ass. ʘy-Power							
	9	S4016533	1	Nut							
	10	D580786	3	Strap							
	12	S3450983	2	Screw							
	13	S5102303	2	Washer							
	14	D544024	1	Circuit Breaker							
	15	D915014	2	Screw							
	16	A404056	1	Sender Ass. ʘy-Temp							
	17	S0504363	1	Bolt							
	18	S5000313	1	Washer							
	19	S5020213	3	Washer							
	20	D668514	2	Clip							
	21	S3450853	3	Screw							
Z	22		1	Film-Fuse							

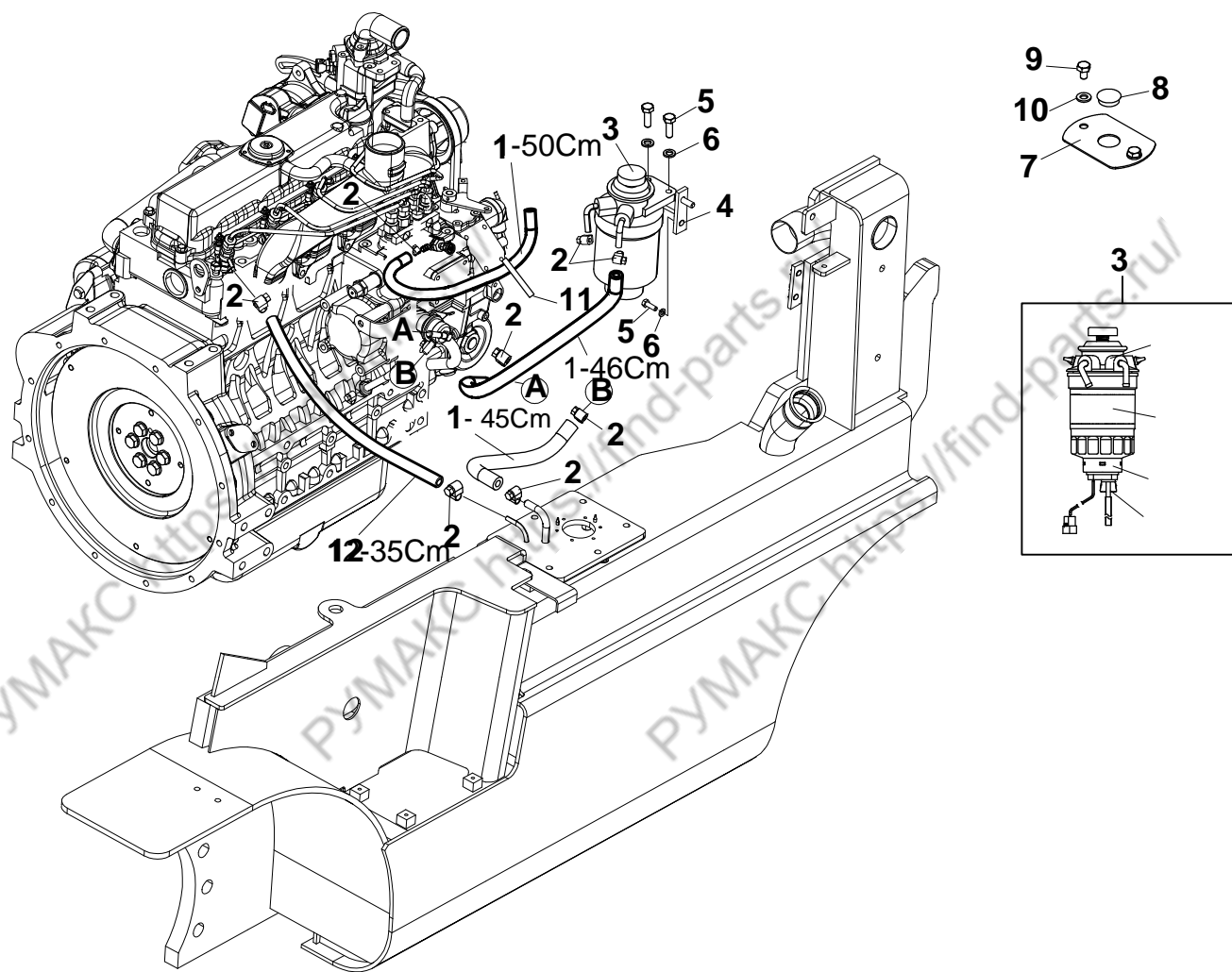


D15/18S5 D20SC-5

FIG.1-210-0

310208-00069 Wiring Gp - F.C.U

NOTE	ITEM NO.	PART NUMBER	QTY	DESCRIPTION	CHANGE CODE	START SERIAL NO.					
						EM0UT	EM0UU	FDA01	FDA02	FDA03	-
	1	A404082	1	Harness Ass. ʘy-Instrument							
	1-01	A124008	3	Fuse-10A							
	1-02	D544005	9	Fuse-15A							
	1-03	D544045	1	Diode							
	2	301409-00001	1	Switch Ass. ʘy-Ignition							
	2-01	110702-00003	1	Key Set							
	2-02	D554213	4	Screw							
	2-03	D554214	4	Washer							
	3	A401393	1	Retainer							
	4	A334035	1	Buzzer Ass. ʘy-Pilot							
	5	S3450353	2	Screw							
	6	S5020313	2	Washer							
	7	S5000003	2	Washer							
	8	A404032	1	Controller Ass. ʘy							
	9	S3450943	2	Screw							
	10	D580786	4	Strap							
	11	A401388	1	Bellows-F/R							
	12	A401766	1	Plate							
	13	D910198	4	Bolt							
	14	A334000	1	Switch Ass. ʘy-Directional							
	15	S4012003	2	Nut							
	16	D900052	1	Clip							
	17	D917068	1	Washer							
	18	S0508363	1	Bolt							

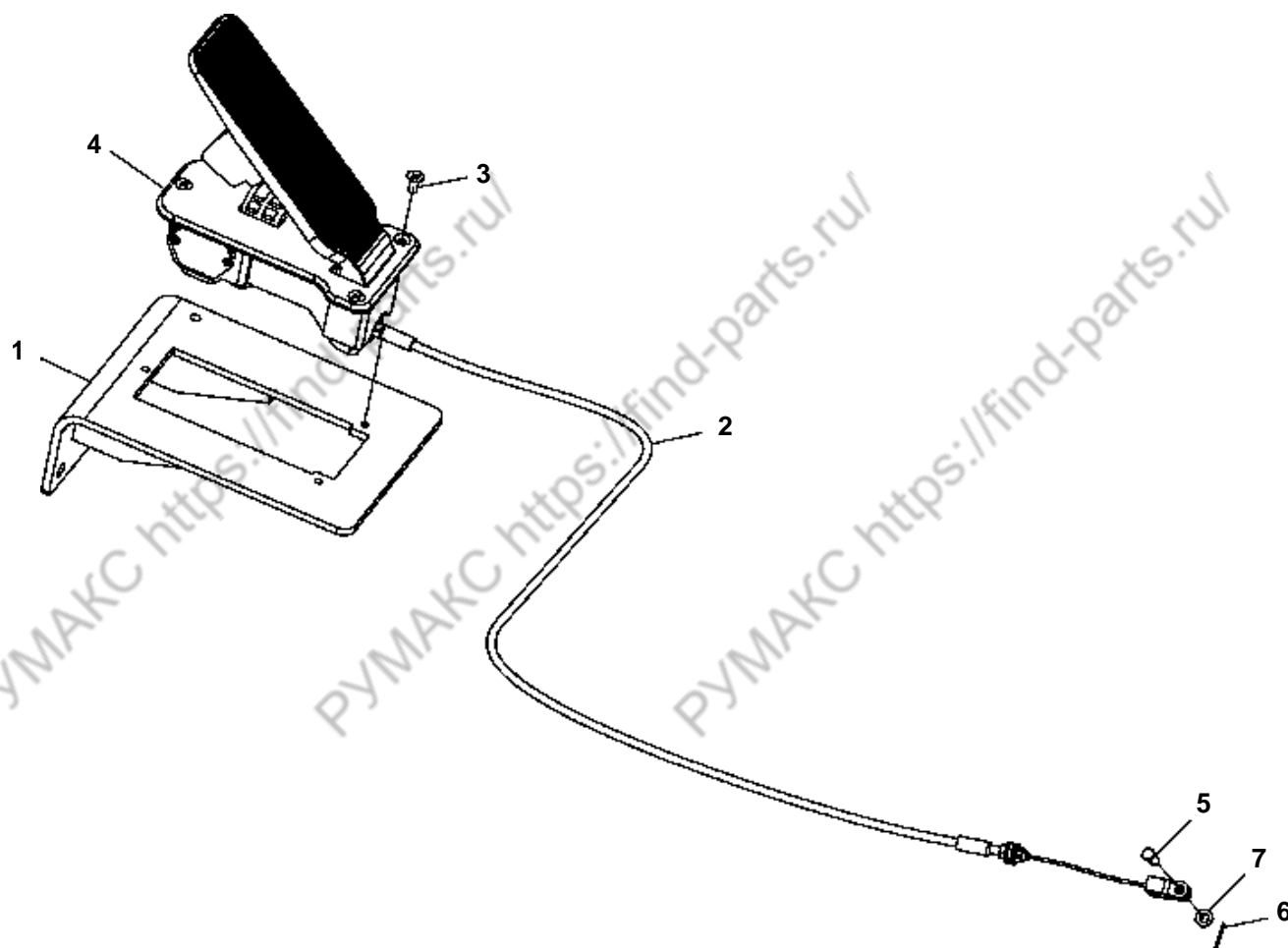


D15/18S5 D20SC-5

FIG.1-220-0

A381973 Lines Gp - Fuel

NOTE	ITEM NO.	PART NUMBER	QTY	DESCRIPTION	CHANGE CODE	START SERIAL NO.					
						EM0UT	EM0UU	FDA01	FDA02	FDA03	-
E	1	D130668	141	Hose-Bulk							
	2	S8450006	8	Clamp							
	3	A323028	1	Fuel Filter Ass. ʘy							
	3-01	A323029	1	Cartridge Ass. ʘy-Fuel							
	3-02	D470358	1	Head As-Fuel Filter							
	3-03	A273814	1	Sensor Ass. ʘy							
	3-04	A323031	2	Plug-Fuel Filter							
	4	A381974	1	Plate Ass. ʘy							
	5	S0509063	4	Bolt							
	6	D917092	4	Washer							
	7	A211389	1	Plate							
8	D700757	1	Plug								
9	S0511663	2	Bolt								
10	D917093	2	Washer								
11	D580786	1	Strap								
E	12	D700389	35	Hose-Bulk							



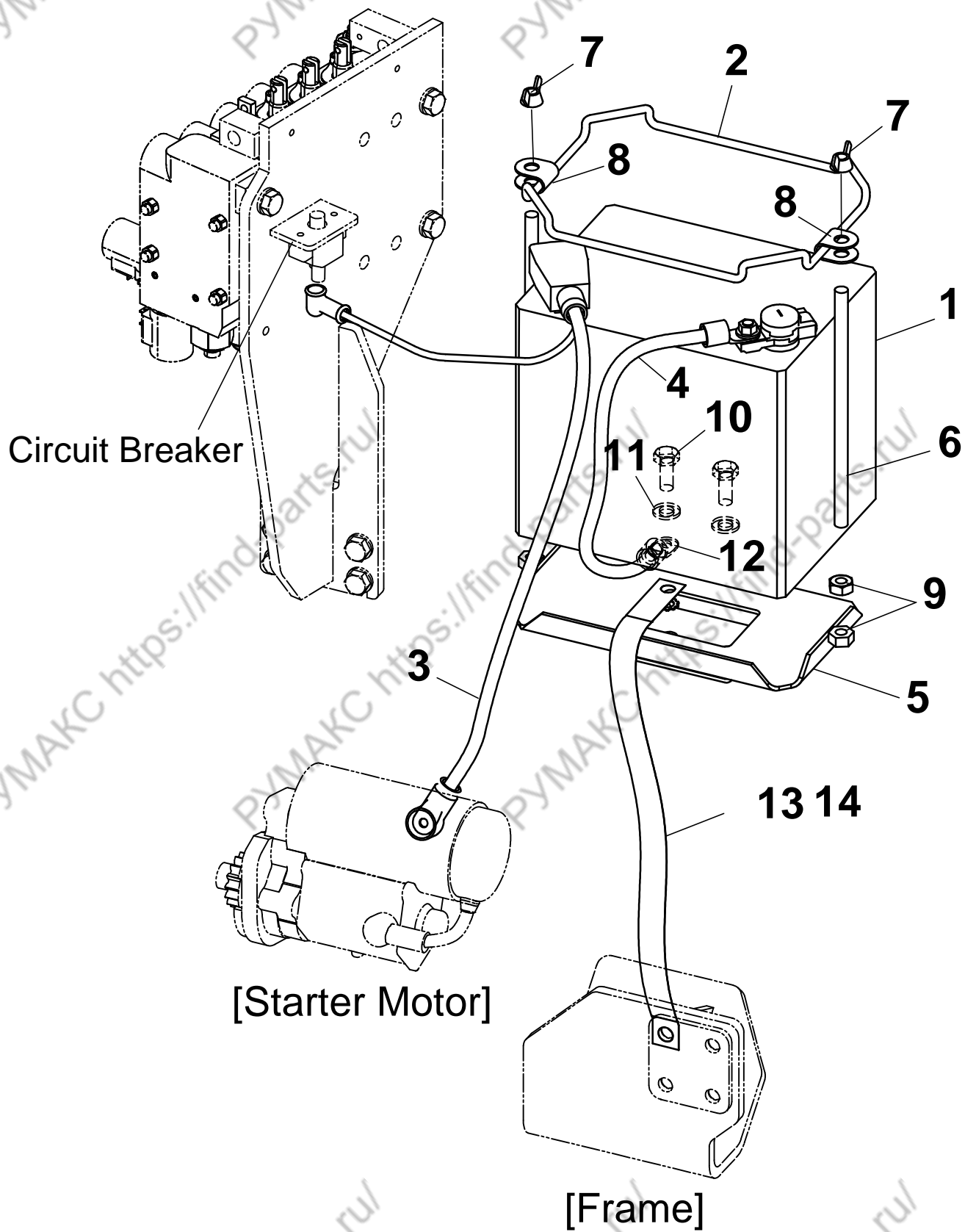
D15/18S5 D20SC-5

FIG.1-230-0

A381985 Pedal Gp - Accel

NOTE	ITEM NO.	PART NUMBER	QTY	DESCRIPTION	CHANGE CODE	START SERIAL NO.					
						EM0UT	EM0UU	FDA01	FDA02	FDA03	-
	1	A402093	1	Bracket Ass. ʘy-Accel							
	2	A661331	1	Cable Ass. ʘy-Accel							
	3	S3452963	3	Screw							
	4	A401078	1	Pedal Ass. ʘy-Accel							
	5	S5760121	1	Pin							
	6	S5735141	1	Pin-Cotter							
	7	S5010313	1	Washer							

[PYMAKC https://find-parts.ru/](https://find-parts.ru/)
[PYMAKC https://find-parts.ru/](https://find-parts.ru/)
[PYMAKC https://find-parts.ru/](https://find-parts.ru/)
<https://find-parts.ru/>
<https://find-parts.ru/>
<https://find-parts.ru/>

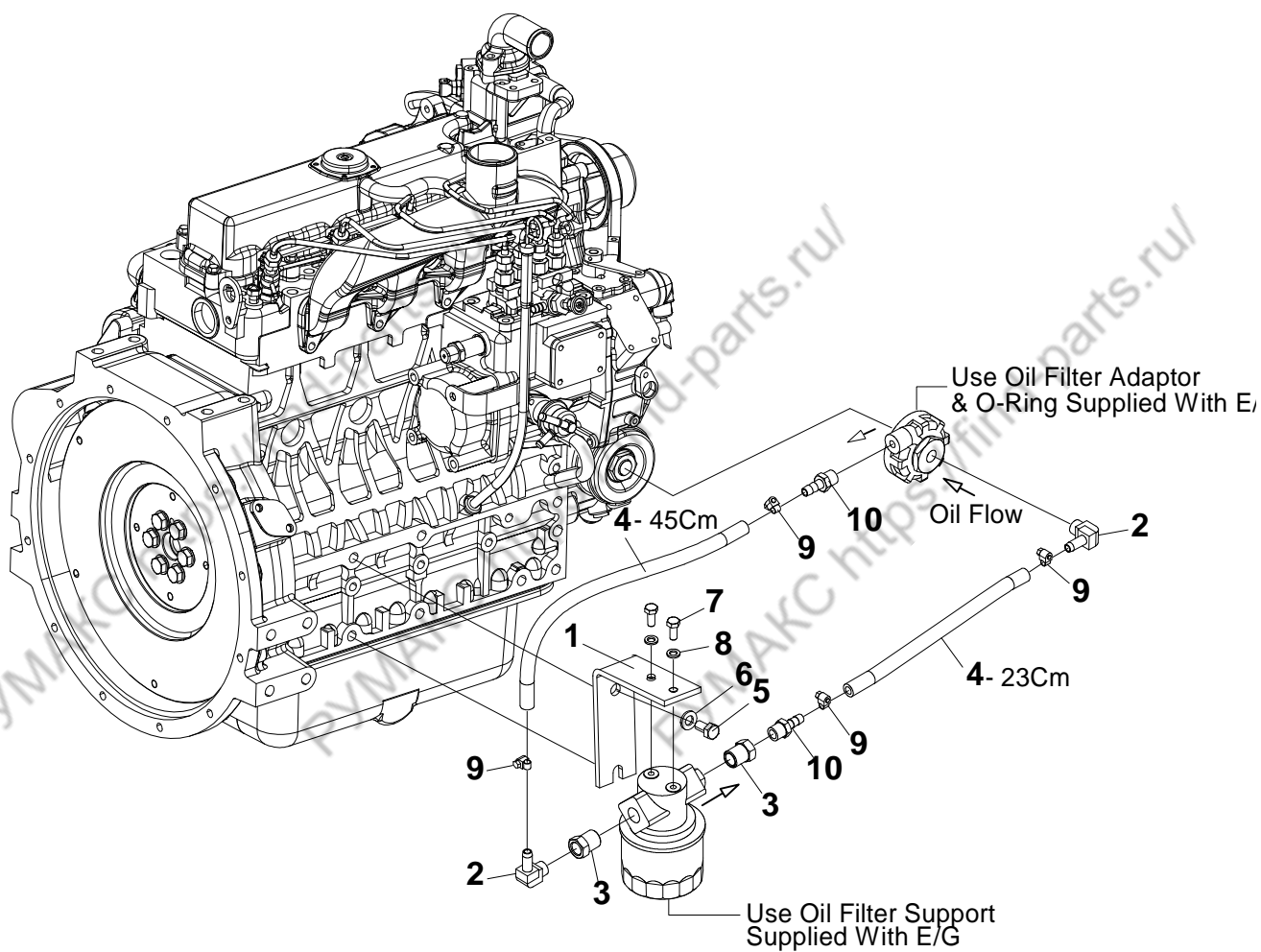


D15/18S5 D20SC-5

FIG.1-240-0

A382003 Battery Gp

NOTE	ITEM NO.	PART NUMBER	QTY	DESCRIPTION	CHANGE CODE	START SERIAL NO.					
						EM0UT	EM0UU	FDA01	FDA02	FDA03	-
	1	A334060	1	Battery Ass. ʘy							
	2	A224005	1	Hold-Down							
	3	D148311	1	Cable Ass. ʘy-Positive							
	4	D167302	1	Cable Ass. ʘy-Positive							
	5	A271539	1	Tray Ass. ʘy-Battery							
	6	D700505	2	Stud							
	7	S4540603	2	Nut-Wing							
	8	D550080	2	Clip							
	9	S4012643	2	Nut							
	10	S0512063	2	Bolt							
	11	D917093	2	Washer							
	12	D917024	1	Washer							
	13	S5202713	1	Washer							
	14	D147034	1	Cable-Band							

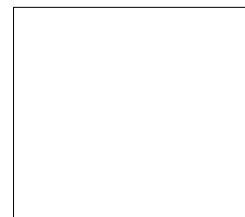
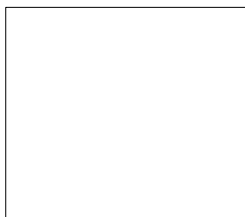
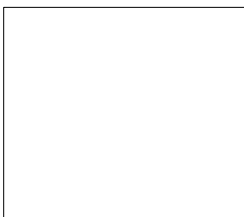
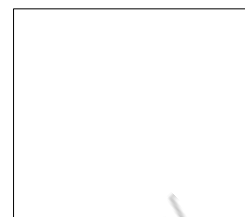
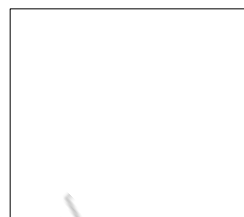
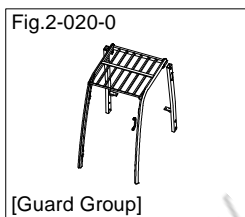
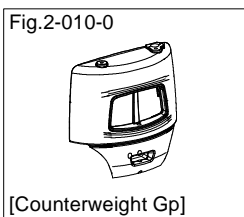


D15/18S5 D20SC-5

FIG.1-250-0

A381983 Remote Oil Filter Gp

NOTE	ITEM NO.	PART NUMBER	QTY	DESCRIPTION	CHANGE CODE	START SERIAL NO.					
						EMOUT	EMOUU	FDA01	FDA02	FDA03	-
C	1	A381984	1	Bracket	N						
		110420-00318	1	Bracket							
	2	D902201	2	Elbow							
E	3	DS2485018	2	Adaptor							
	4	D909031	68	Hose							
	5	S0715063	2	Bolt							
	6	D917091	2	Washer							
	7	S0508863	2	Bolt							
	8	D917092	2	Washer							
	9	S8450006	4	Clamp							
	10	A271867	2	Adaptor							



РУМАКУ <https://find-parts.ru/>

РУМАКУ <https://find-parts.ru/>

РУМАКУ <https://find-parts.ru/>

РУМАКУ <https://find-parts.ru/>

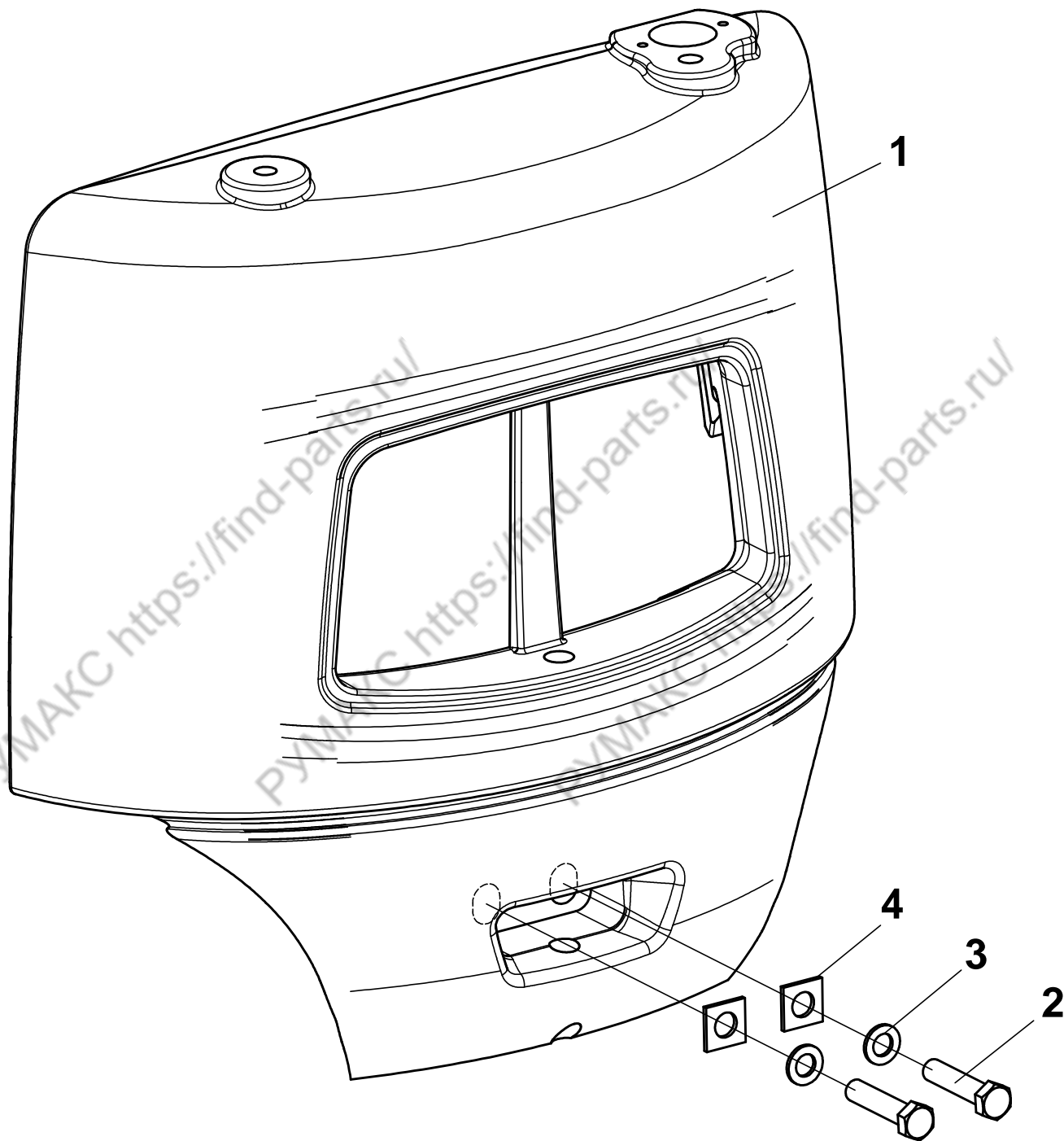
РУМАКУ <https://find-parts.ru/>

РУМАКУ <https://find-parts.ru/>

<https://find-parts.ru/>

<https://find-parts.ru/>

<https://find-parts.ru/>

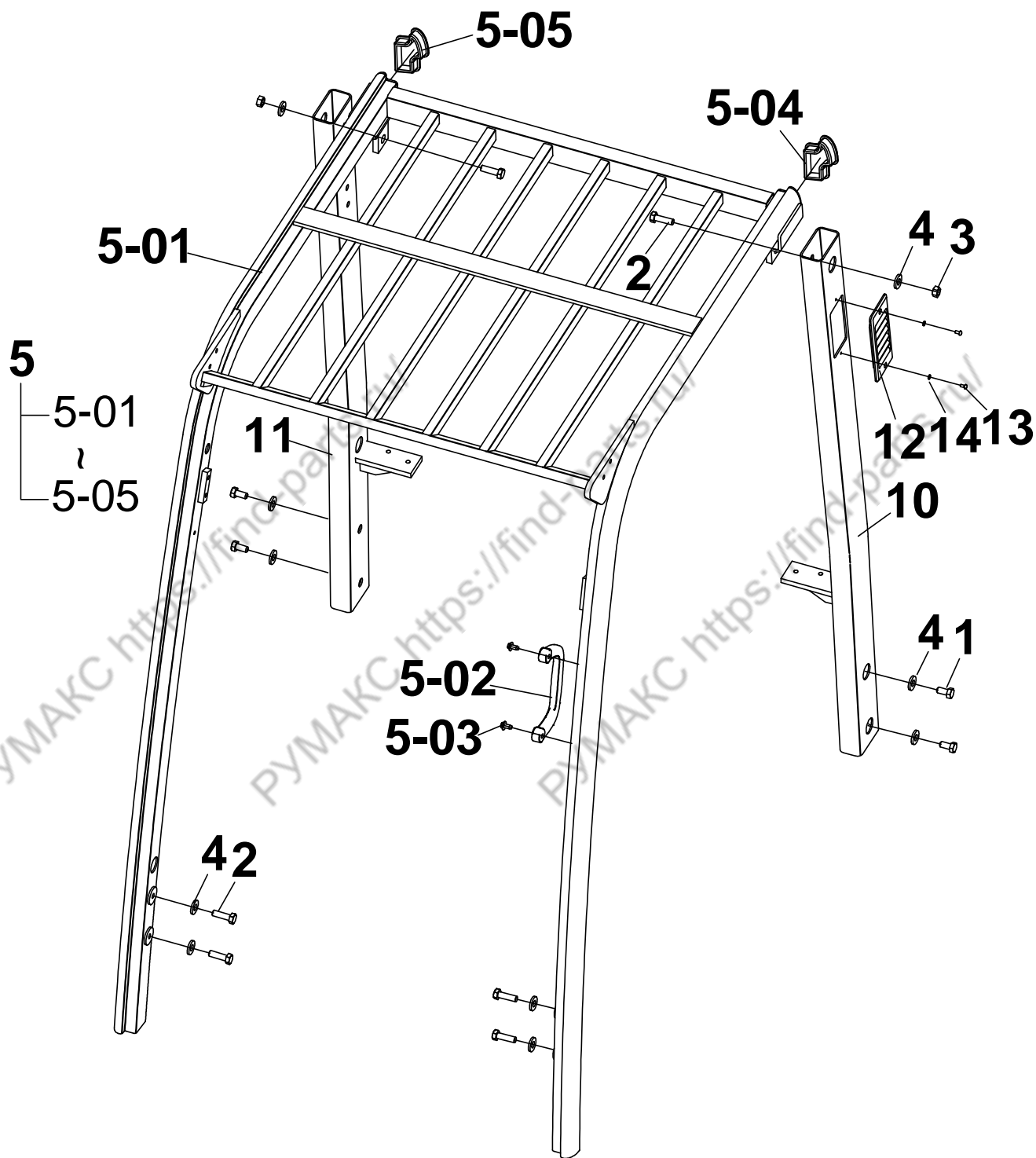


D15/18S5 D20SC-5

FIG.2-010-0

Countweigh Gp

NOTE	ITEM NO.	PART NUMBER	QTY	DESCRIPTION	CHANGE CODE	START SERIAL NO.					
						EM0UT	EM0UU	FDA01	FDA02	FDA03	-
	1	A381336	1	Counterweight Gp-1.5 Ton							
		A381337	1	Counterweight Gp-1.8 Ton							
		A381338	1	Counterweight-2.0 Ton							
	2	S0575565	2	Bolt							
	3	DS0401177	2	Washer							
	4	D700191	2	Plate							

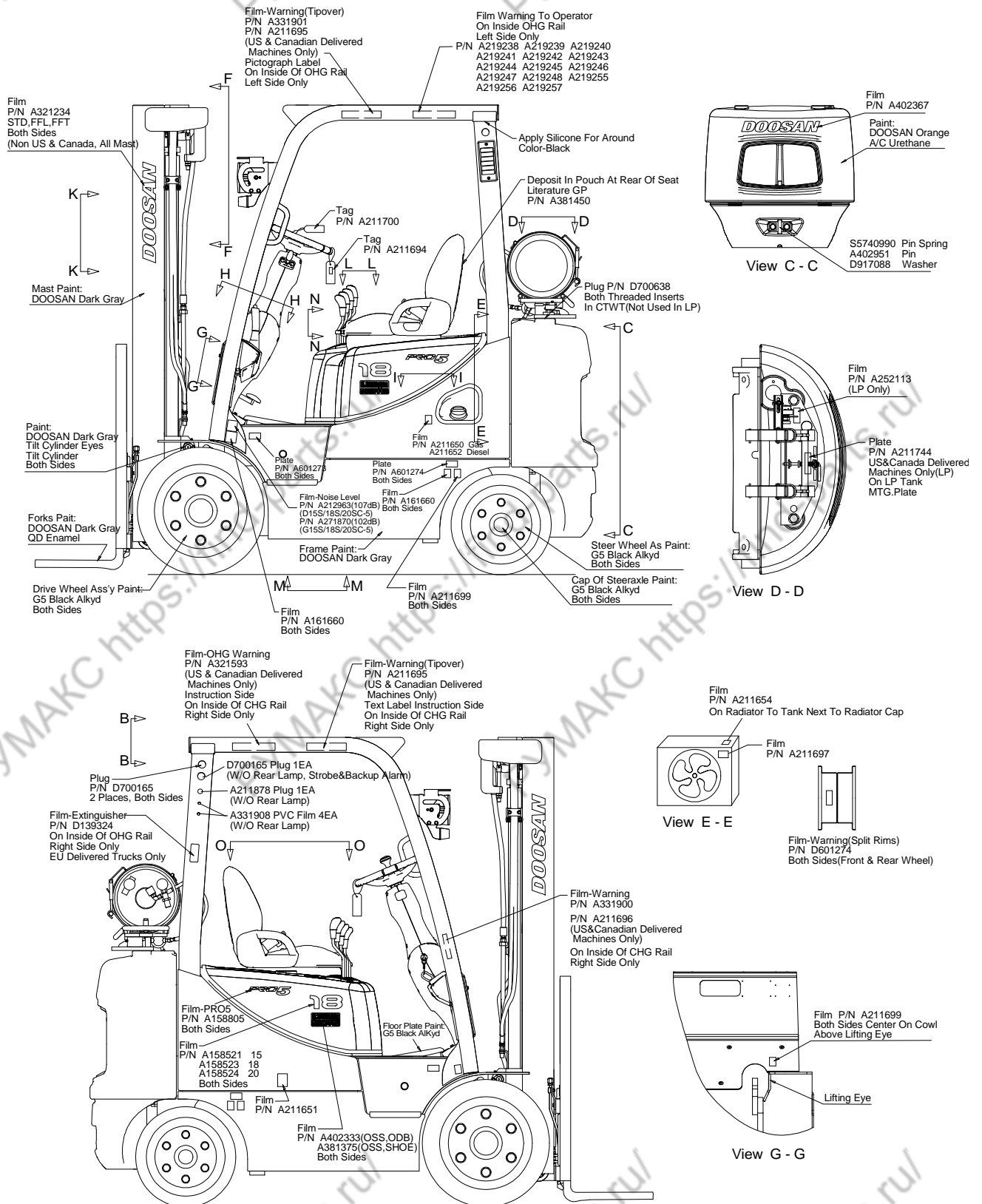


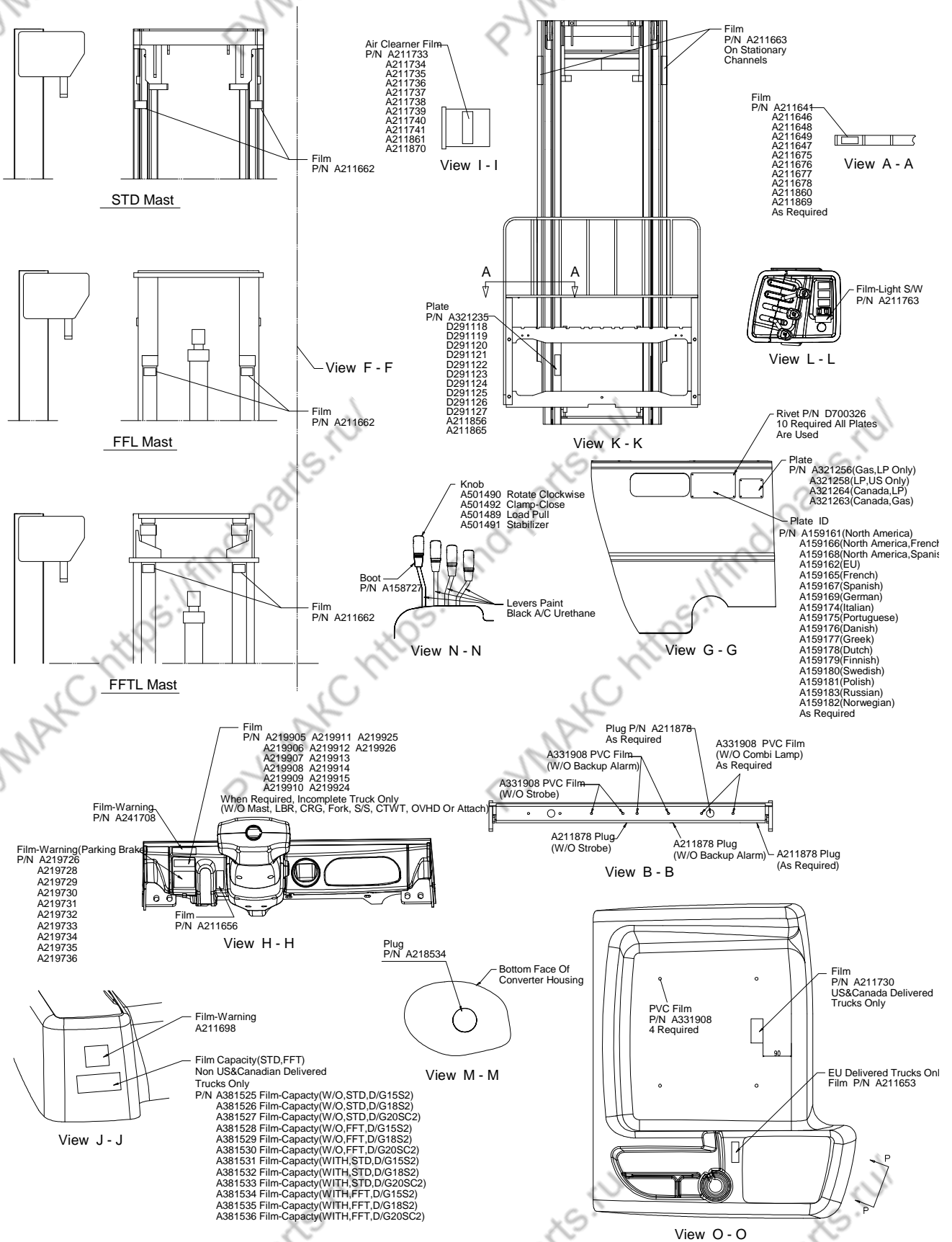
D15/18S5 D20SC-5

FIG.2-020-0

A381313 Head Guard Gp

NOTE	ITEM NO.	PART NUMBER	QTY	DESCRIPTION	CHANGE CODE	START SERIAL NO.				
						EM0UT	EM0UU	FDA01	FDA02	FDA03
Z	1	S0515063	4	Bolt						
	2	S0515463	6	Bolt						
	3	S4016743	2	Nut						
	4	D917041	12	Washer						
	5	220103-00285	1	Guard Ass. ʘy-Overhead						
	5-01		1	Guard Ass. ʘy-Front						
	5-02	A331480	1	Bar-Grab						
	5-03	D915032	2	Screw						
	5-04	A401157	1	Plug-LH						
	5-05	A401158	1	Plug-RH						
	10	A381331	1	Leg Ass. ʘy-LH						
	11	A381381	1	Leg Ass. ʘy-RH						
	12	A111392	1	Cover-Air Inlet						
	13	S3450823	2	Screw						
14	S5100203	2	Washer							



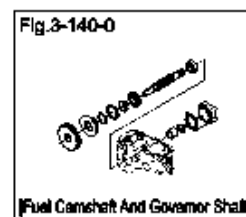
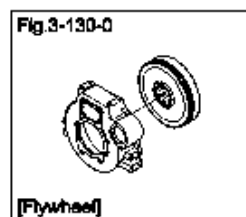
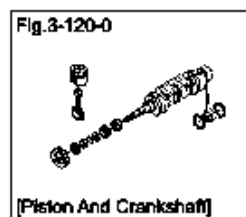
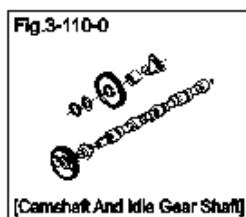
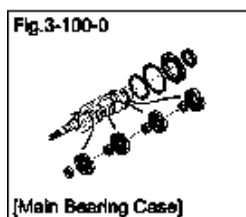
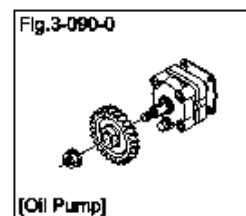
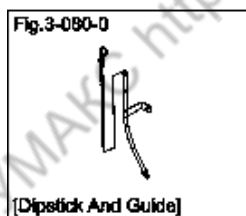
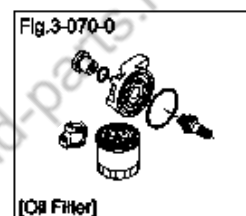
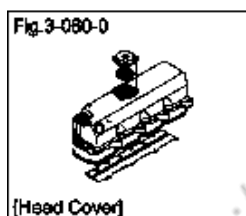
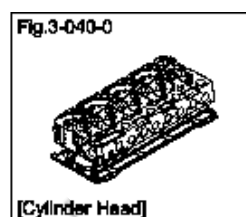
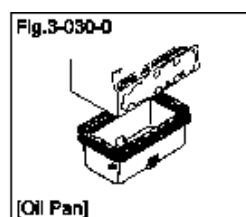
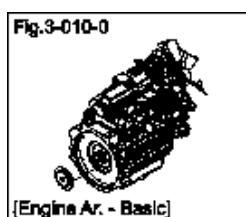


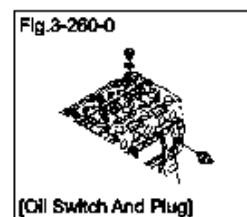
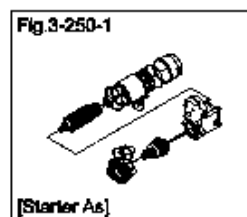
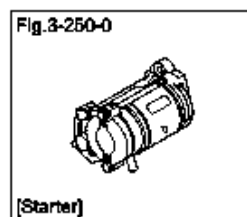
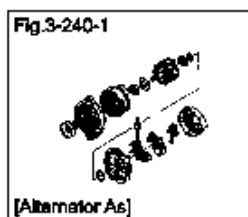
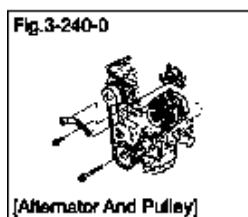
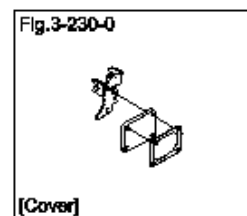
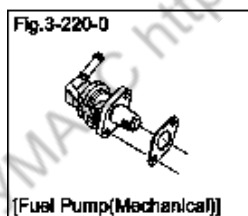
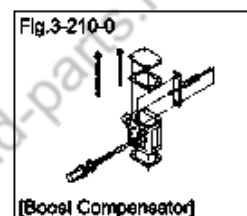
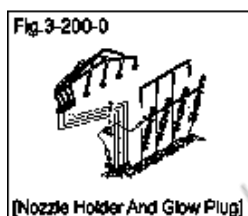
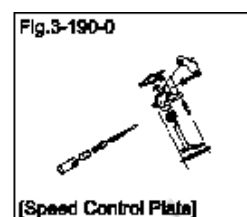
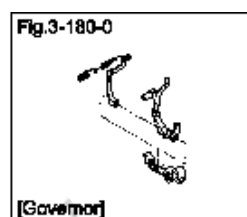
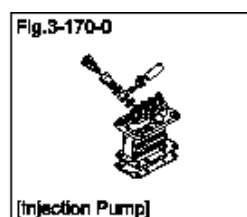
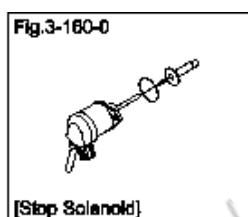
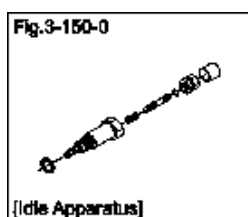
D15/18S5 D20SC-5

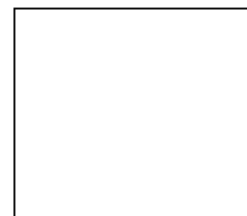
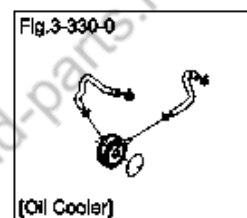
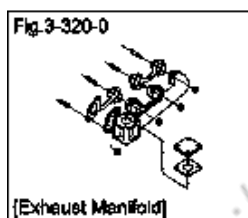
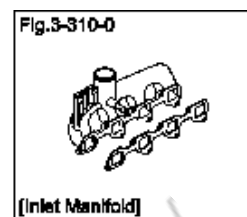
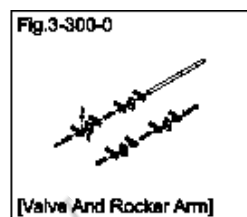
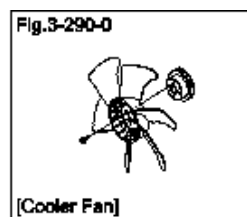
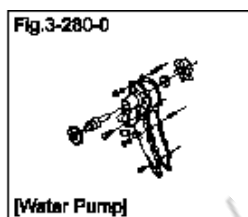
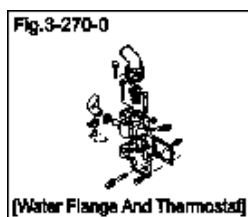
FIG.2-030-0

A381377 Location Chart

NOTE	ITEM NO.	PART NUMBER	QTY	DESCRIPTION	CHANGE CODE	START SERIAL NO.					
						EM0UT	EM0UU	FDA01	FDA02	FDA03	-
				Location Chart							



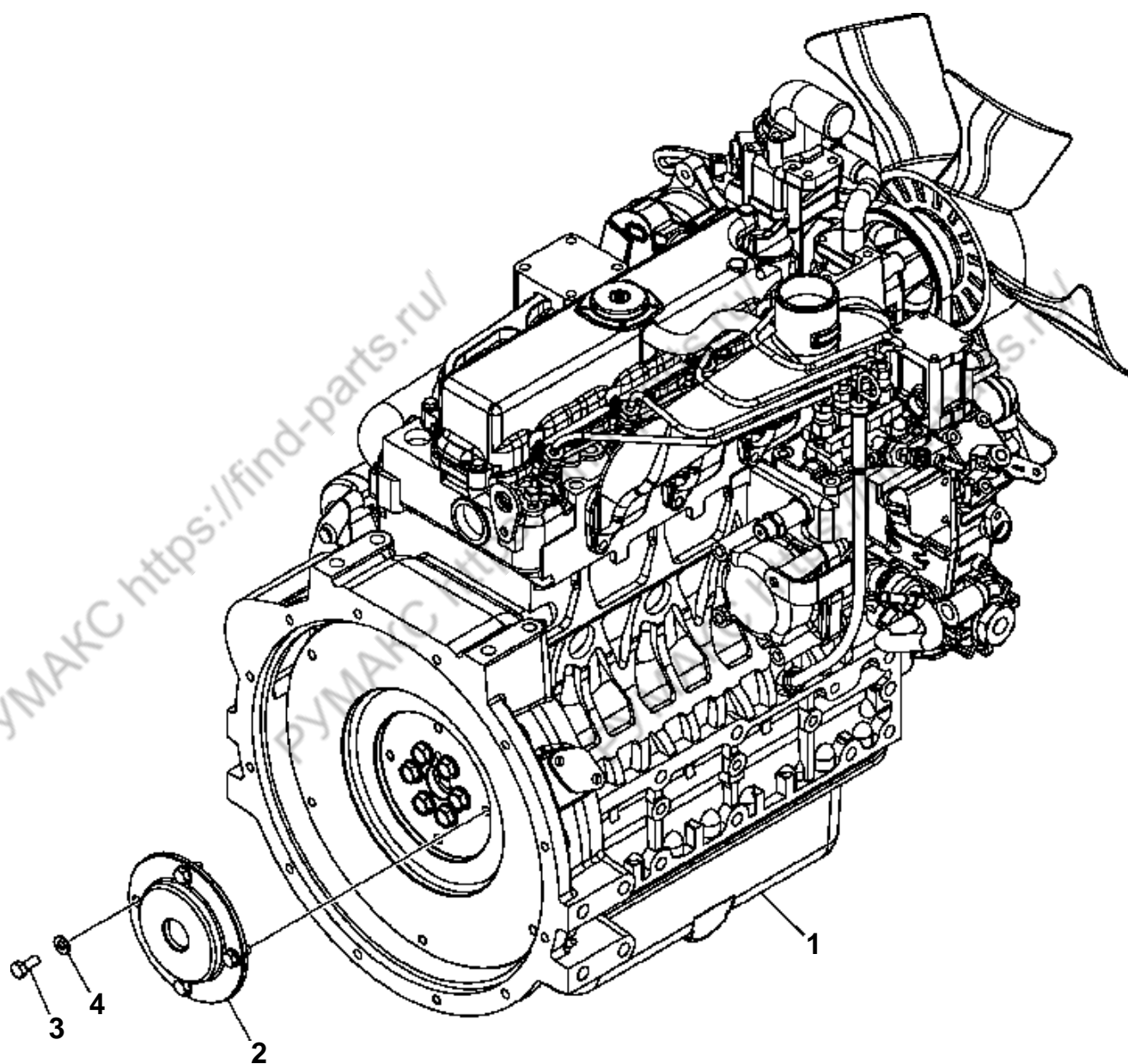




D15/18S5 D20SC-5

3) "ENGINE"

GROUP Number	GROUP Name
A383895	Engine Ar. - Basic
150102-00039	Crankcase
150119-00040	Oil Pan
A663864	Cylinder Head
130405-00022	Gear Case
A663866	Head Cover
400404-00010	Oil Filter
A663868	Dipstick And Guide
A663869	Oil Pump
A663871	Main Bearing Case
A663872	Camshaft And Idle Gear Shaft
150107-00045	Piston And Crankshaft
A663874	Flywheel
A663875	Fuel Camshaft And Governor Shaft
A663876	Idle Apparatus
A663877	Stop Solenoid
A663878	Injection Pump
A663879	Governor
A663880	Speed Control Plate
A663881	Nozzle Holder And Glow Plug
A663882	Boost Compensator
A663883	Fuel Pump(Mechanical)
A663884	Cover
300901-00022	Alternator And Pulley
A383717	Alternator Ass'y
A663887	Starter
A383856	Starter Ass. y
A663889	Oil Switch And Plug
300738-00012	Water Flange And Thermostat
400921-00035	Water Pump
210101-00065	Cooler Fan
A663893	Valve And Rocker Arm
A663894	Inlet Manifold
240102-00040	Exhaust Manifold
400206-00031	Oil Cooler

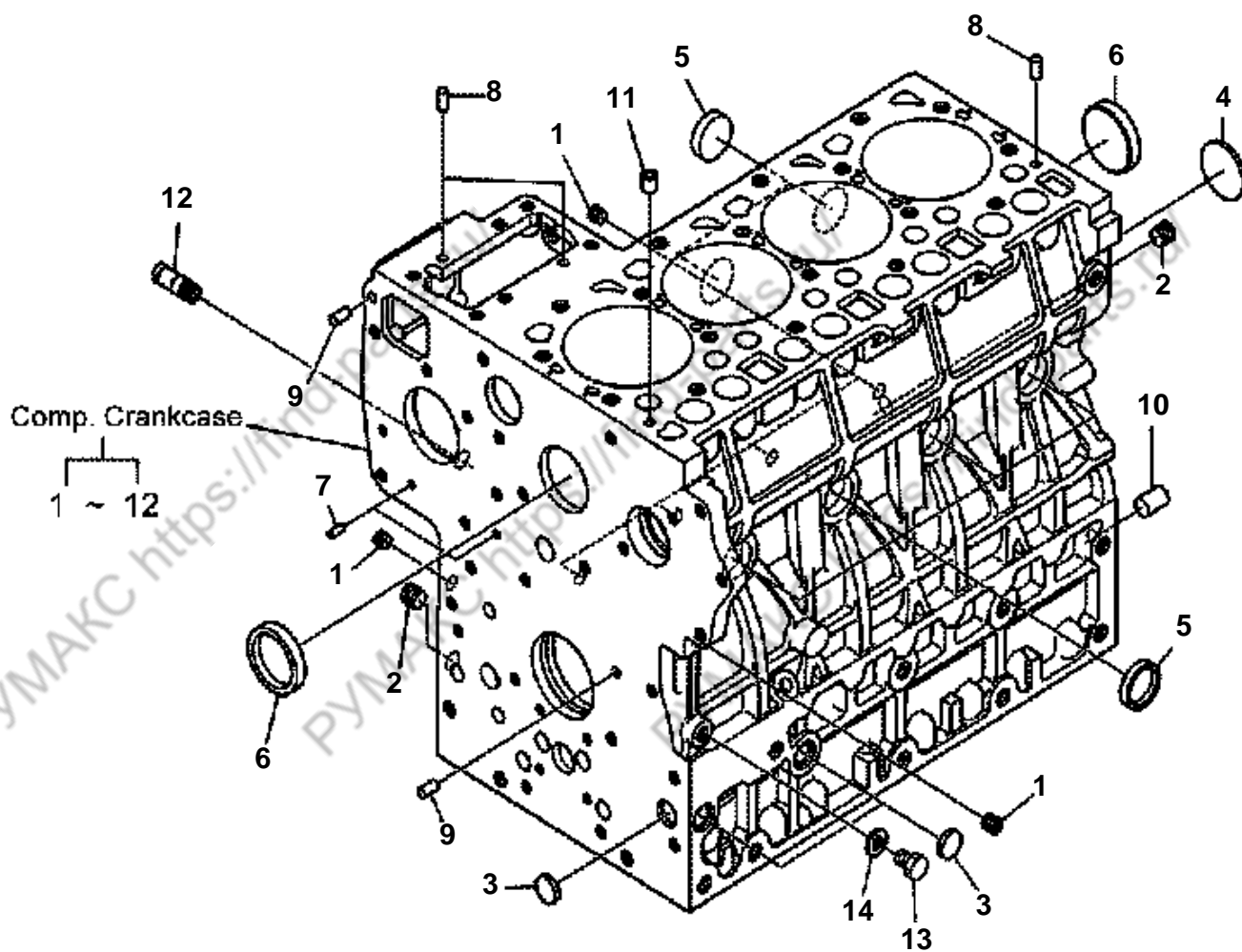


D15/18S5 D20SC-5

FIG.3-010-0

A383895 Engine Ar. - Basic

NOTE	ITEM NO.	PART NUMBER	QTY	DESCRIPTION	CHANGE CODE	START SERIAL NO.				
						EMOUT	EMOUU	FDA01	FDA02	FDA03
	1	A383560	1	Engine Ass. ѳy						
Z		150102-00039	1	Crankcase						
Z		150119-00040	1	Oil Pan						
Z		A663864	1	Cylinder Head						
Z		130405-00022	1	Gear Case						
Z		A663866	1	Head Cover						
Z		400404-00010	1	Oil Filter						
Z		A663868	1	Dipstick And Guide						
Z		A663869	1	Oil Pump						
Z		A663871	1	Main Bearing Case						
Z		A663872	1	Camshaft And Idle Gear Shaft						
Z		150107-00045	1	Piston And Crankshaft						
Z		A663874	1	Flywheel						
Z		A663875	1	Fuel Camshaft And Governor Shaft						
Z		A663876	1	Idle Apparatus						
Z		A663877	1	Stop Solenoid						
Z		A663878	1	Injection Pump						
Z		A663879	1	Governor						
Z		A663880	1	Speed Control Plate						
Z		A663881	1	Nozzle Holder And Glow Plug						
Z		A663882	1	Boost Compensator						
Z		A663883	1	Fuel Pump(Mechanical						
Z		A663884	1	Cover						
Z		300901-00022	1	Alternator And Pulley						
		A383717	1	Alternator Ass. ѳy						
Z		A663887	1	Starter						
		A383856	1	Starter Ass. ѳy						
Z		A663889	1	Oil Switch And Plug						
Z		300738-00012	1	Water Flange And Thermostat						
Z		400921-00035	1	Water Pump						
Z		210101-00065	1	Cooler Fan						
Z		A663893	1	Valve And Rocker Arm						
Z		A663894	1	Inlet Manifold						
Z		240102-00040	1	Exhaust Manifold						
Z		400206-00031	1	Oil Cooler						
	2	A383897	1	Adaptor-Flywheel						
	3	S0508863	4	Bolt						
	4	D917092	4	Washer						

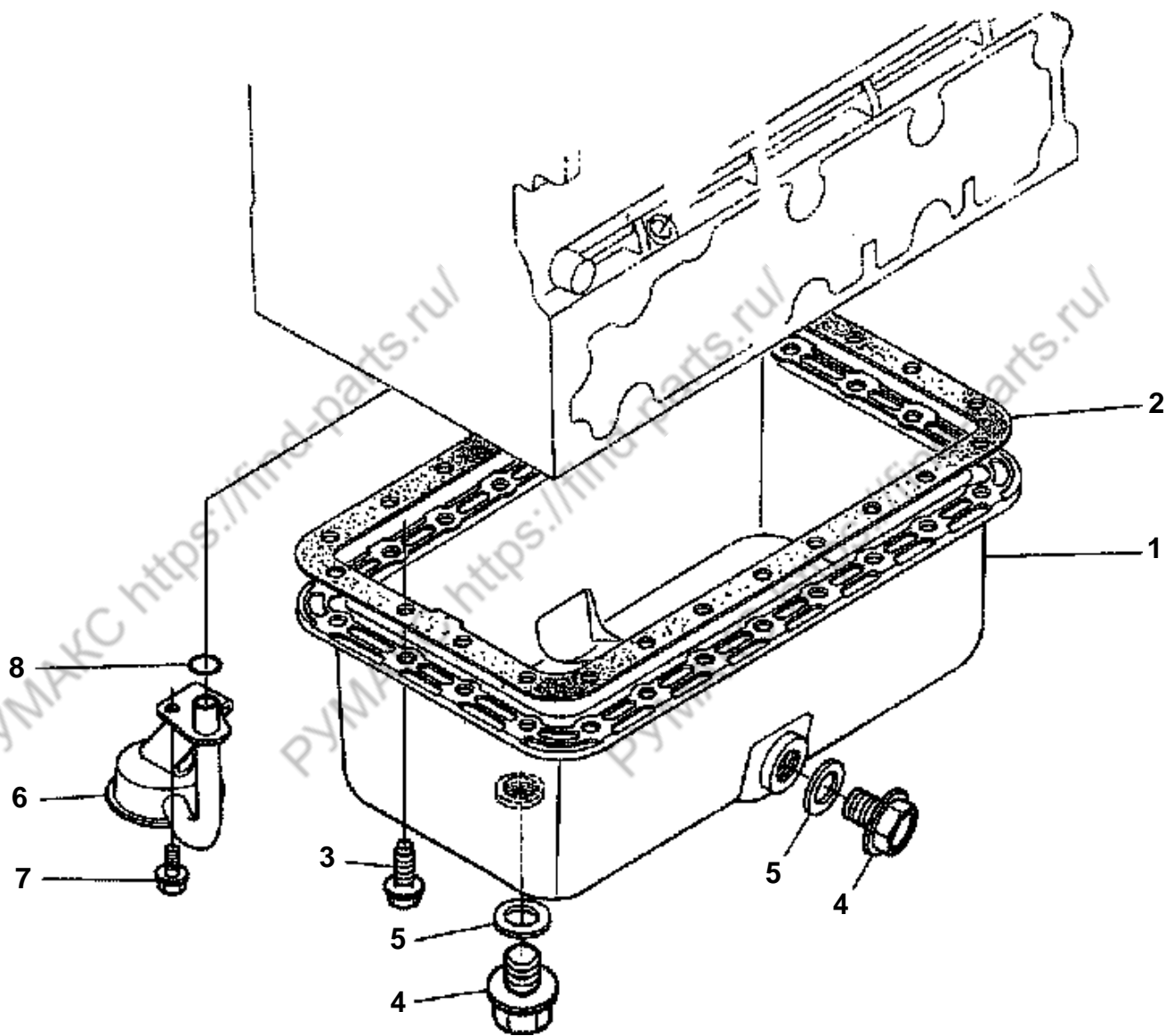


D15/18S5 D20SC-5

FIG.3-020-0

150102-00039 Crankcase

NOTE	ITEM NO.	PART NUMBER	QTY	DESCRIPTION	CHANGE CODE	START SERIAL NO.				
						EMOUT	EMOUU	FDA01	FDA02	FDA03
		150102-00038	1	Comp. Crankcase (Includes Item # 1-12)						
	1	A383701	6	Plug						
	2	A383702	2	Plug						
	3	A383738	3	Plug, Expansion						
	4	A383716	1	Plug, Expansion						
	5	A383652	6	Cap, Sealing						
	6	A383653	2	Cap, Sealing						
	7	A383627	2	Pin, Straight						
	8	A383628	3	Pin, Straight						
	9	A383629	2	Pin, Straight						
	10	A383630	1	Pin, Straight						
	11	A383665	1	Pin, Pipe						
	12	A663583	1	Pipe, Water Return						
	13	430221-00104	1	Plug						
	14	A663550	1	Gasket						

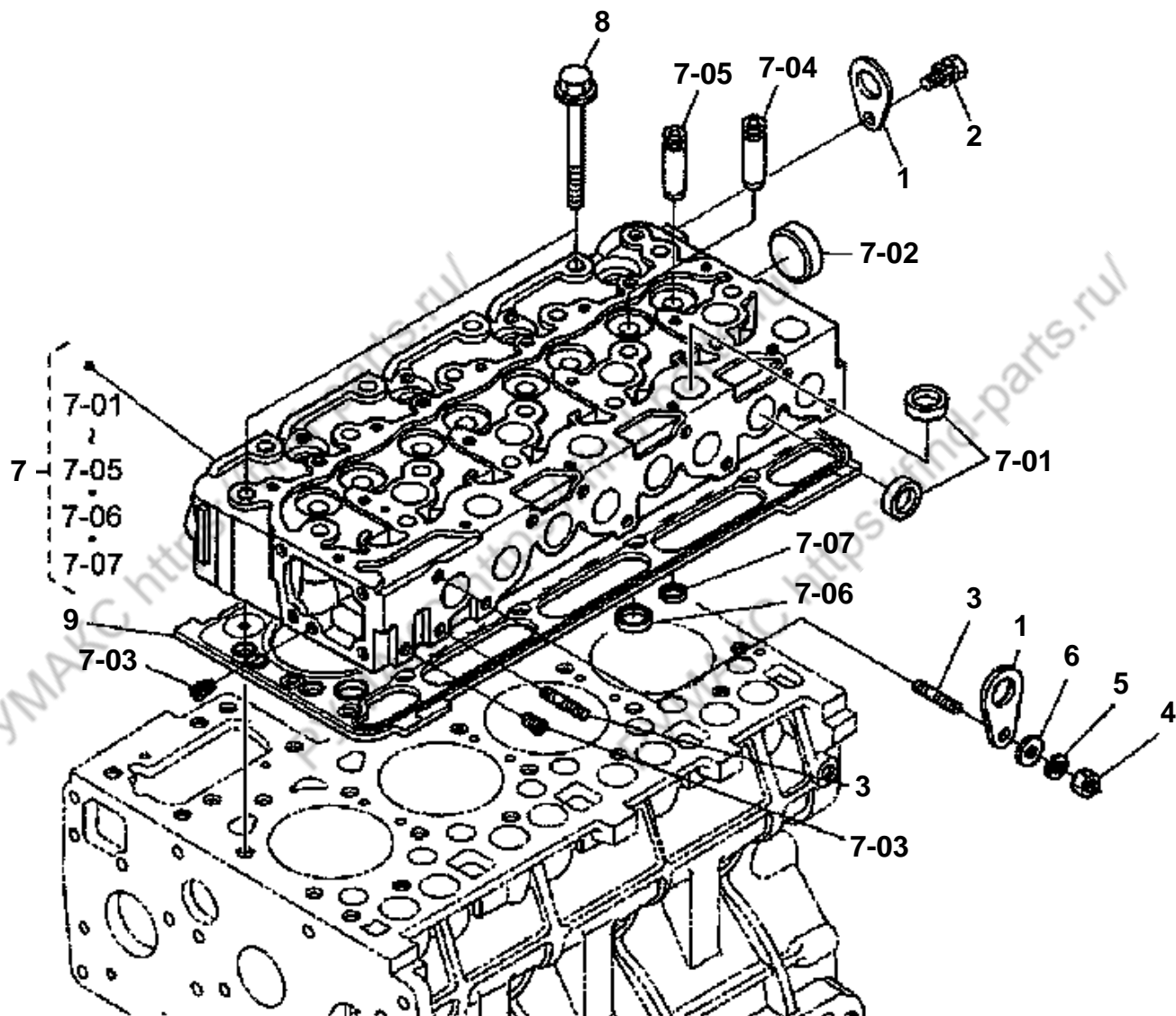


D15/18S5 D20SC-5

FIG.3-030-0

150119-00040 Oil Pan

NOTE	ITEM NO.	PART NUMBER	QTY	DESCRIPTION	CHANGE CODE	START SERIAL NO.					
						EM0UT	EM0UU	FDA01	FDA02	FDA03	-
	1	A383743	1	Comp.Oil Pan							
	2	A383844	1	Gasket, Oil Pan							
	3	120106-00218	24	Bolt, Flange							
	4	A383706	2	Plug, Drain							
	5	A383681	2	Gasket							
	6	A383858	1	Filter, Oil							
	7	A383595	1	Bolt, Flange							
	8	A383622	1	O-Ring							

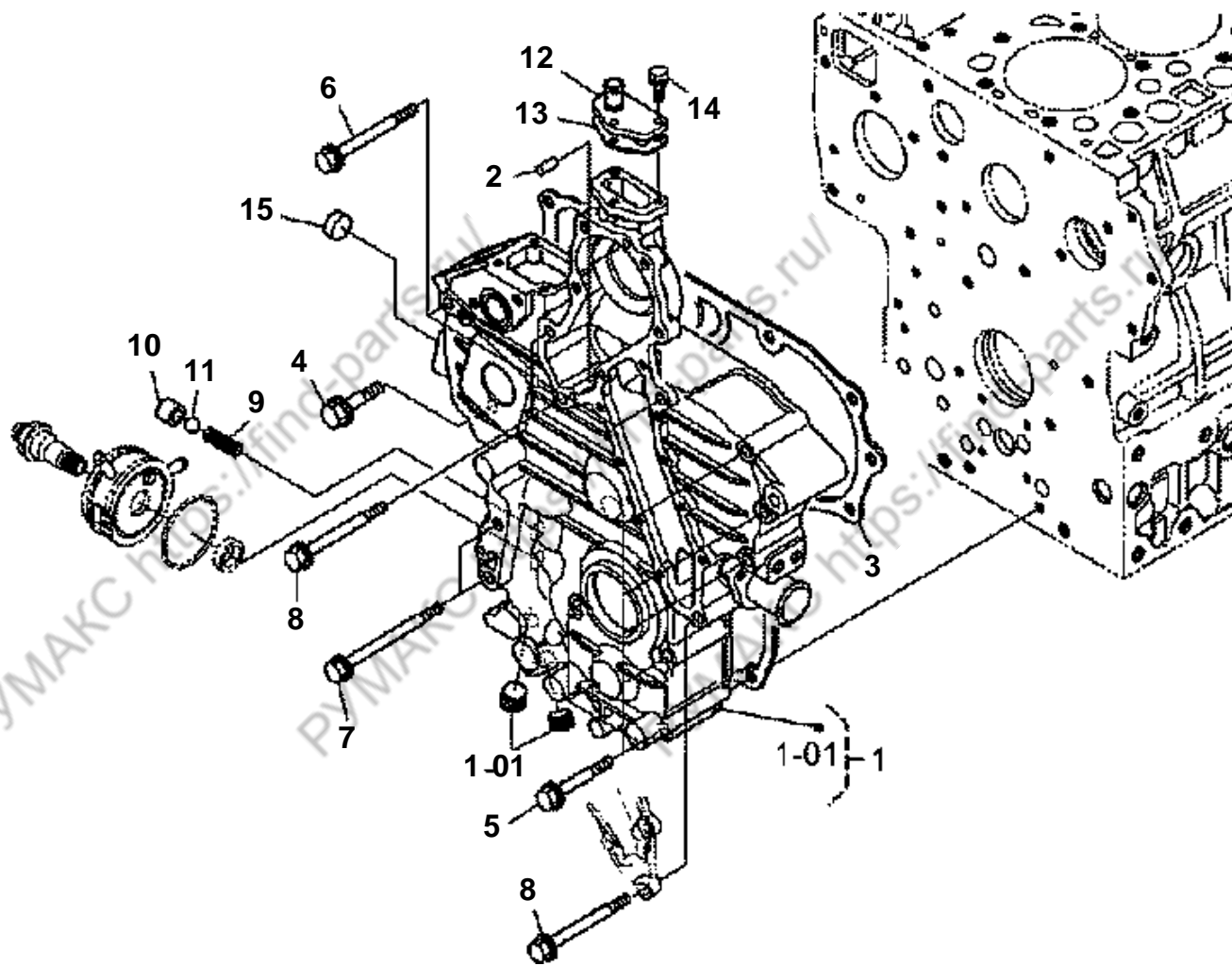


D15/18S5 D20SC-5

FIG.3-040-0

A663864 Cylinder Head

NOTE	ITEM NO.	PART NUMBER	QTY	DESCRIPTION	CHANGE CODE	START SERIAL NO.					
						EM0UT	EM0UU	FDA01	FDA02	FDA03	-
	1	A383650	2	Hook, Engine							
	2	A383577	1	Bolt							
	3	A383693	2	Stud							
	4	A383603	1	Nut							
	5	A383612	1	Washer, Spring							
	6	A383609	1	Washer, Plain							
	7	A383864	1	Comp. Cylinder Head							
	7-01	A383651	12	Cap, Sealing							
	7-02	A383654	1	Cap, Sealing							
	7-03	A663579	2	Plug							
	7-04	A383734	4	Guide, Inlet Valve							
	7-05	A383818	4	Guide, Valve, Exhaust							
	7-06	A383720	4	Seat, Inlet Valve							
	7-07	A383719	4	Seat, Exhaust Valve							
	8	A383742	18	Bolt, Cylinder Head							
	9	A383846	1	Gasket, Cylinder Head(1.15mm)							
		A383845	1	Gasket, Cylinder Head(1.20mm)							
		A383847	1	Gasket, Cylinder Head(1.25mm)							
		A383848	1	Gasket, Cylinder Head(1.30mm)							
		A383849	1	Gasket, Cylinder Head(1.35mm)							

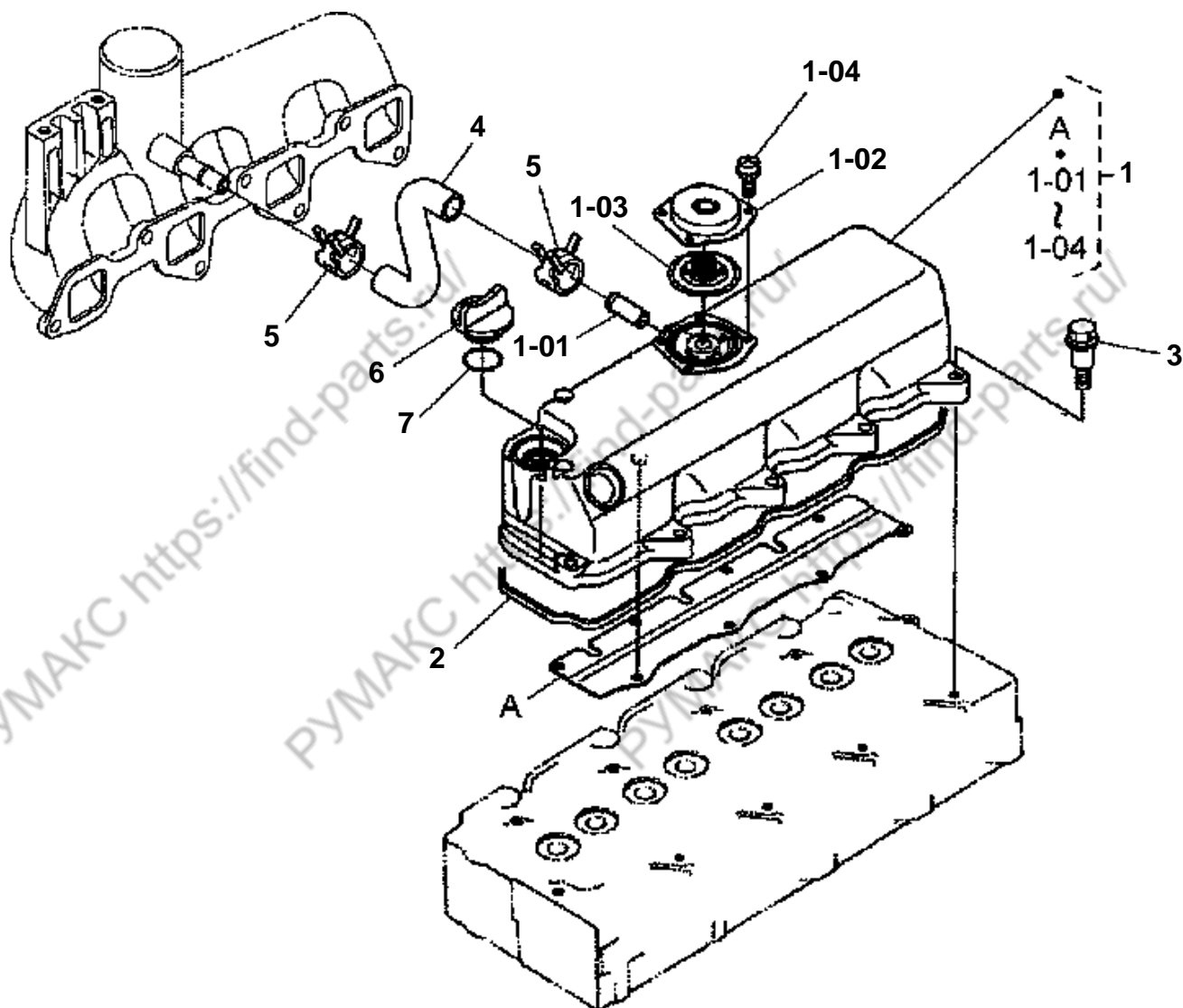


D15/18S5 D20SC-5

FIG.3-050-0

130405-00022 Gear Case

NOTE	ITEM NO.	PART NUMBER	QTY	DESCRIPTION	CHANGE CODE	START SERIAL NO.					
						EM0UT	EM0UU	FDA01	FDA02	FDA03	-
	1	130405-00021	1	Comp.Case,Gear							
	1-01	A663651	2	Plug							
	2	A383629	2	Pin, Straight							
	3	400628-00004	1	Gasket, Gear Case							
	4	A383597	1	Bolt, Flange							
	5	A383783	7	Bolt, Flange							
	6	A383599	2	Bolt, Flange							
	7	A383857	2	Bolt, Flange							
	8	A383600	3	Bolt, Flange							
	9	A383670	1	Spring							
	10	A383699	1	Seat, Valve							
	11	A383637	1	Ball							
	12	A383700	1	Flange, Water Return							
	13	A383780	1	Gasket, Return Flange							
	14	A383569	3	Bolt							
	15	A663535	1	Cap, Sealing							

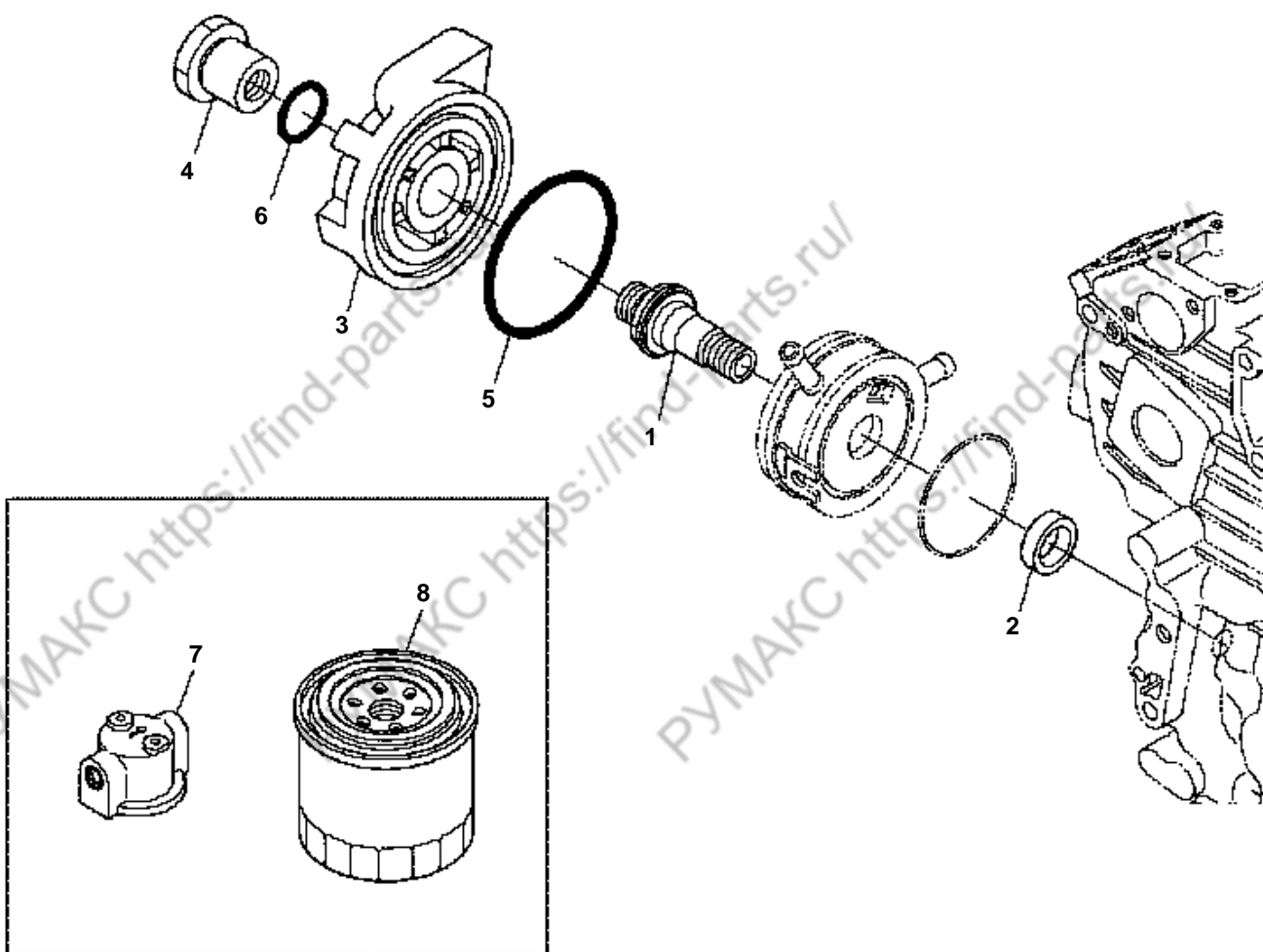


D15/18S5 D20SC-5

FIG.3-060-0

A663866 Head Cover

NOTE	ITEM NO.	PART NUMBER	QTY	DESCRIPTION	CHANGE CODE	START SERIAL NO.					
						EM0UT	EM0UU	FDA01	FDA02	FDA03	-
	1	A383850	1	CYL.Head Cover Ass. y							
	1-01	A663690	1	Pipe, Water Return							
	1-02	A383853	1	Cover, Breather							
	1-03	A383870	1	Comp.Valve, Breather							
	1-04	A383607	4	Screw, With Washer							
	2	A383871	1	Gasket, Head Cover							
	3	A383873	10	Bolt							
	4	A383854	1	Tube, Breather							
	5	A383639	2	Clamp, Hose							
	6	A663789	1	Plug, Oil Filler							
	7	A383626	1	O-Ring							



D15/18S5 D20SC-5

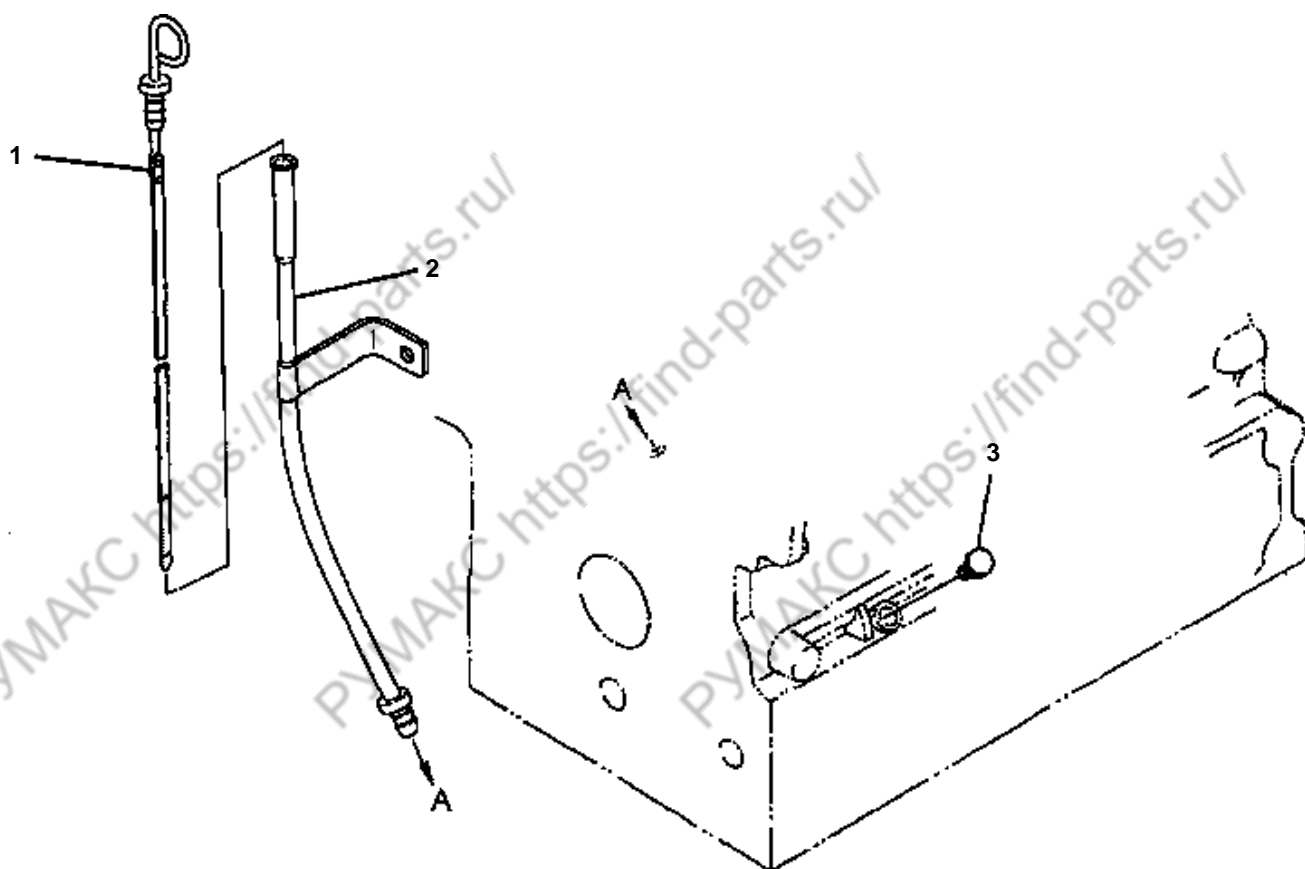
FIG.3-070-0

400404-00010 Oil Filter

NOTE	ITEM NO.	PART NUMBER	QTY	DESCRIPTION	CHANGE CODE	START SERIAL NO.					
						EM0UT	EM0UU	FDA01	FDA02	FDA03	-
	1	A383835	1	Connector							
	2	A383838	1	Collar							
	3	110977-00002	1	Adapter,Oil Filter							
	4	430221-00103	1	Plug,Oil Filter							
	5	401002-00087	1	O-Ring							
	6	401002-00088	1	O-Ring							
	7	110977-00001	1	Base,Oil Filter							
	8	A383718	1	Cartridge,Oil Filter							

PYMAKC <https://find-parts.ru/>

<https://find-parts.ru/>

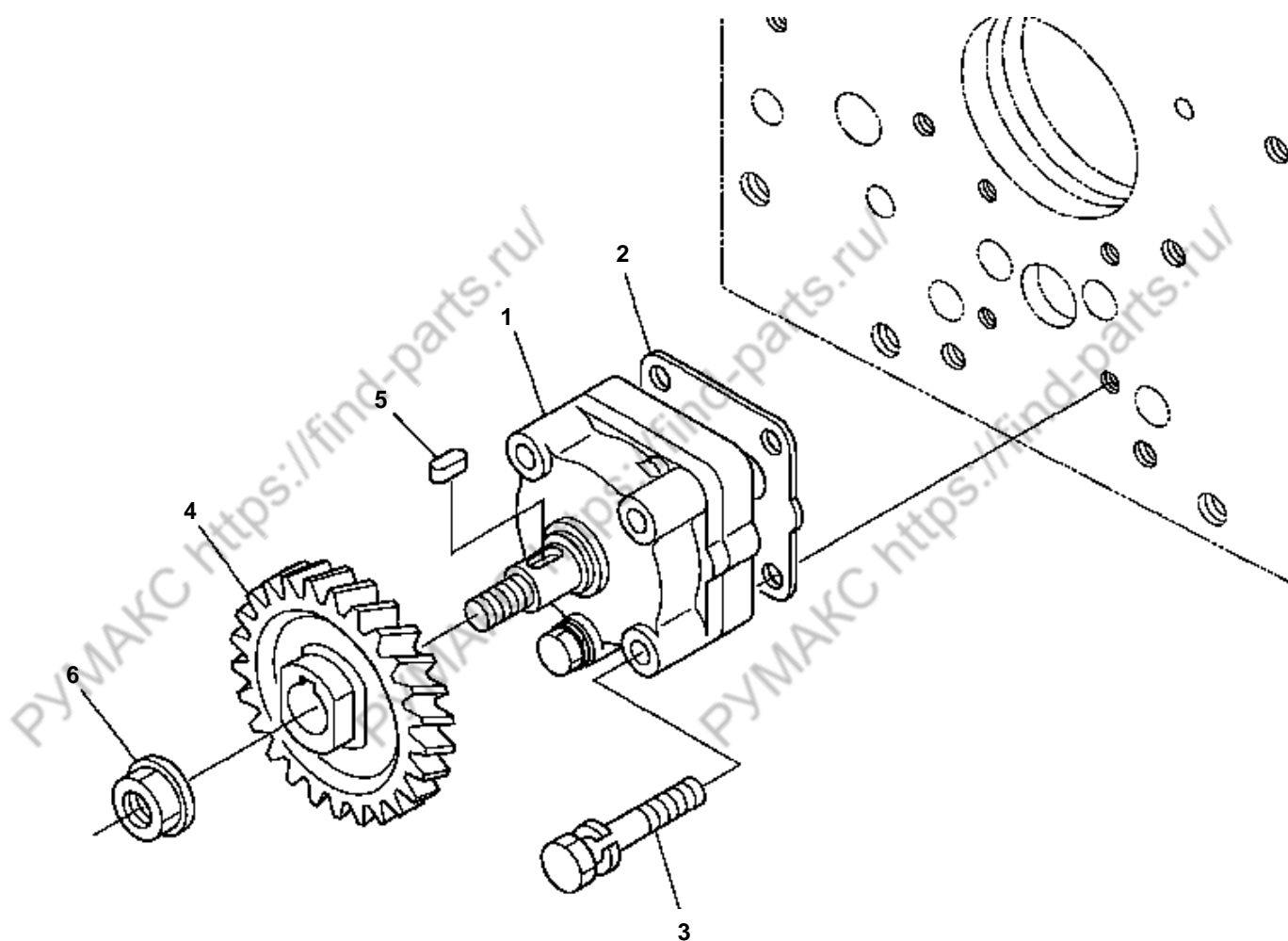


D15/18S5 D20SC-5

FIG.3-080-0

A663868 Dipstick And Guide

NOTE	ITEM NO.	PART NUMBER	QTY	DESCRIPTION	CHANGE CODE	START SERIAL NO.					
						EM0UT	EM0UU	FDA01	FDA02	FDA03	-
	1	A663787	1	Gauge, Oil							
	2	A383831	1	Guide, Oil Gauge							
	3	A383832	1	Plug, Oil Gauge							

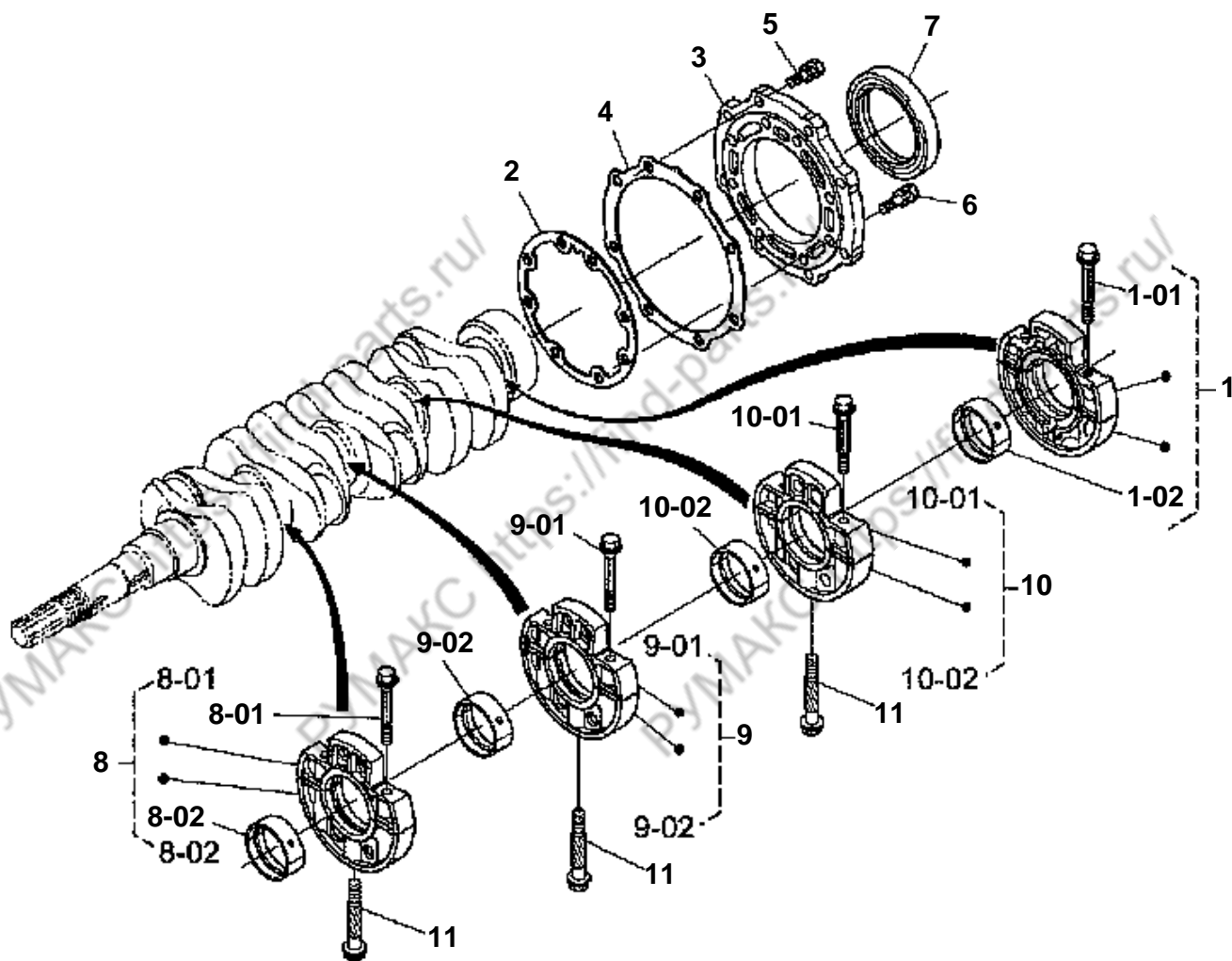


D15/18S5 D20SC-5

FIG.3-090-0

A663869 Oil Pump

NOTE	ITEM NO.	PART NUMBER	QTY	DESCRIPTION	CHANGE CODE	START SERIAL NO.					
						EM0UT	EM0UU	FDA01	FDA02	FDA03	-
	1	A383691	1	Oil Pump Ass. ʘy							
	2	A383766	1	Gasket, Oil Pump							
	3	A383572	4	Bolt							
	4	A383756	1	Gear, Oil Pump Drive							
	5	A383634	1	Key, Feather							
	6	A383666	1	Nut, Flange							

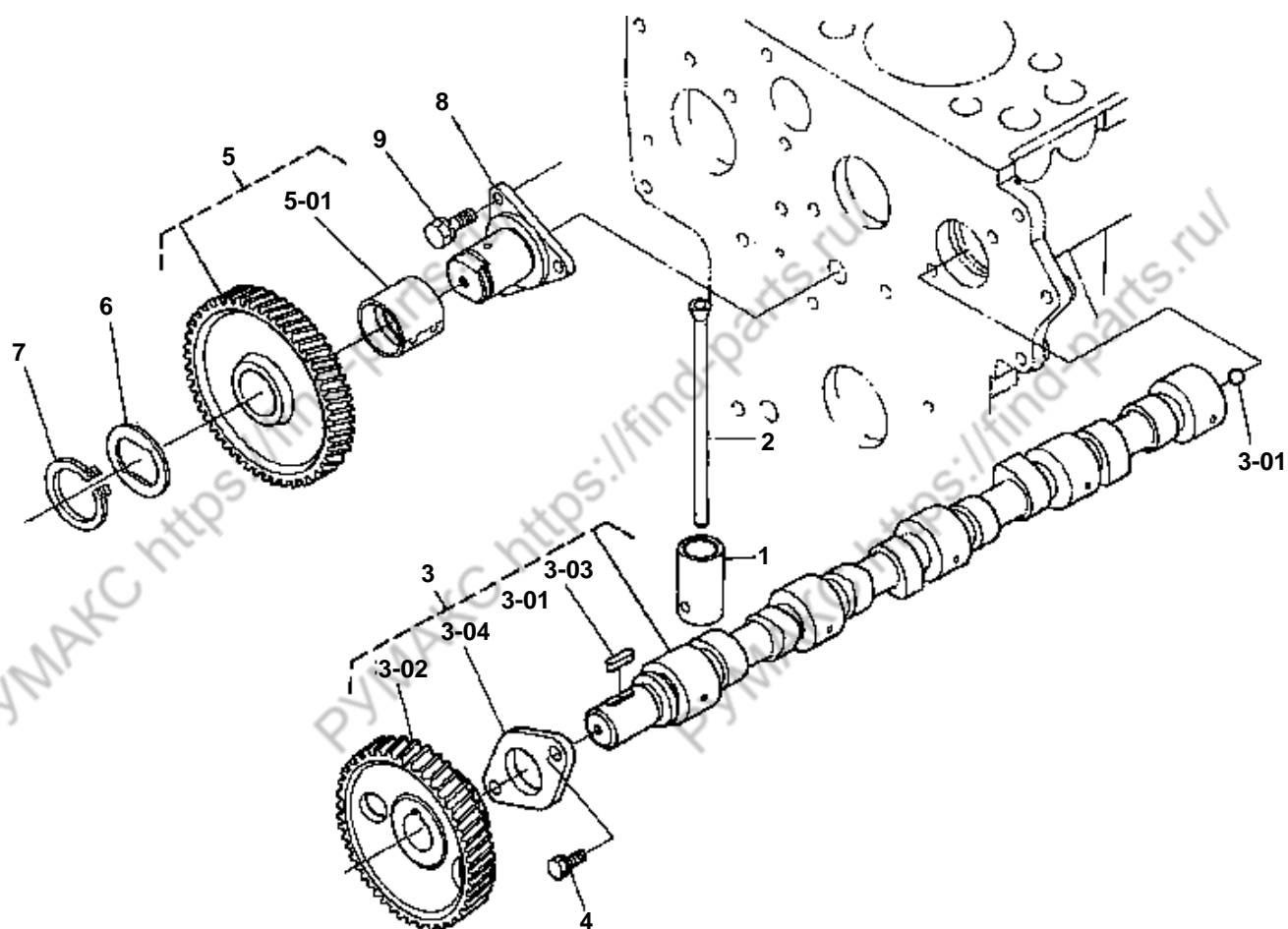


D15/18S5 D20SC-5

FIG.3-100-0

A663871 Main Bearing Case

NOTE	ITEM NO.	PART NUMBER	QTY	DESCRIPTION	CHANGE CODE	START SERIAL NO.					
						EMOUT	EMOUU	FDA01	FDA02	FDA03	-
	1	A383795	1	Wheel Bearing Case Ass. ѓy							
	1-01	A383790	2	Bolt, Bearing Case							
	1-02	A383807	1	Metal, Crankshaft (STD Set)							
		A383812	1	Metal, Crankshaft(-0.20mm Set)							
		A383813	1	Metal, Crankshaft(-0.40mm Set)							
	2	A383789	1	Gasket, Bearing Case							
	3	A383859	1	Cover, Bearing Case							
	4	A383791	1	Gasket, Case Cover							
	5	A383581	8	Bolt							
	6	A383582	8	Bolt							
	7	A383869	1	Seal, Oil							
	8	A383792	1	Main Bearing Case Ass. ѓy							
	8-01	A383790	2	Bolt, Bearing Case							
	8-02	A383807	1	Metal, Crankshaft(STD Set)							
		A383812	1	Metal, Crankshaft(-0.20mm Set)							
		A383813	1	Metal, Crankshaft(-0.40mm Set)							
	9	A383793	1	Main Bearing Case Ass. ѓy							
	9-01	A383790	2	Bolt, Bearing Case							
	9-02	A383807	1	Metal, Crankshaft(STD Set)							
		A383812	1	Metal, Crankshaft(-0.20mm Set)							
		A383813	1	Metal, Crankshaft(-0.40mm Set)							
	10	A383794	1	Main Bearing Case Ass. ѓy							
	10-01	A383790	2	Bolt, Bearing Case							
	10-02	A383807	1	Metal, Crankshaft(STD Set)							
		A383812	1	Metal, Crankshaft(-0.20mm Set)							
		A383813	1	Metal, Crankshaft(-0.40mm Set)							
	11	A383703	3	Bolt, Bearing Case							

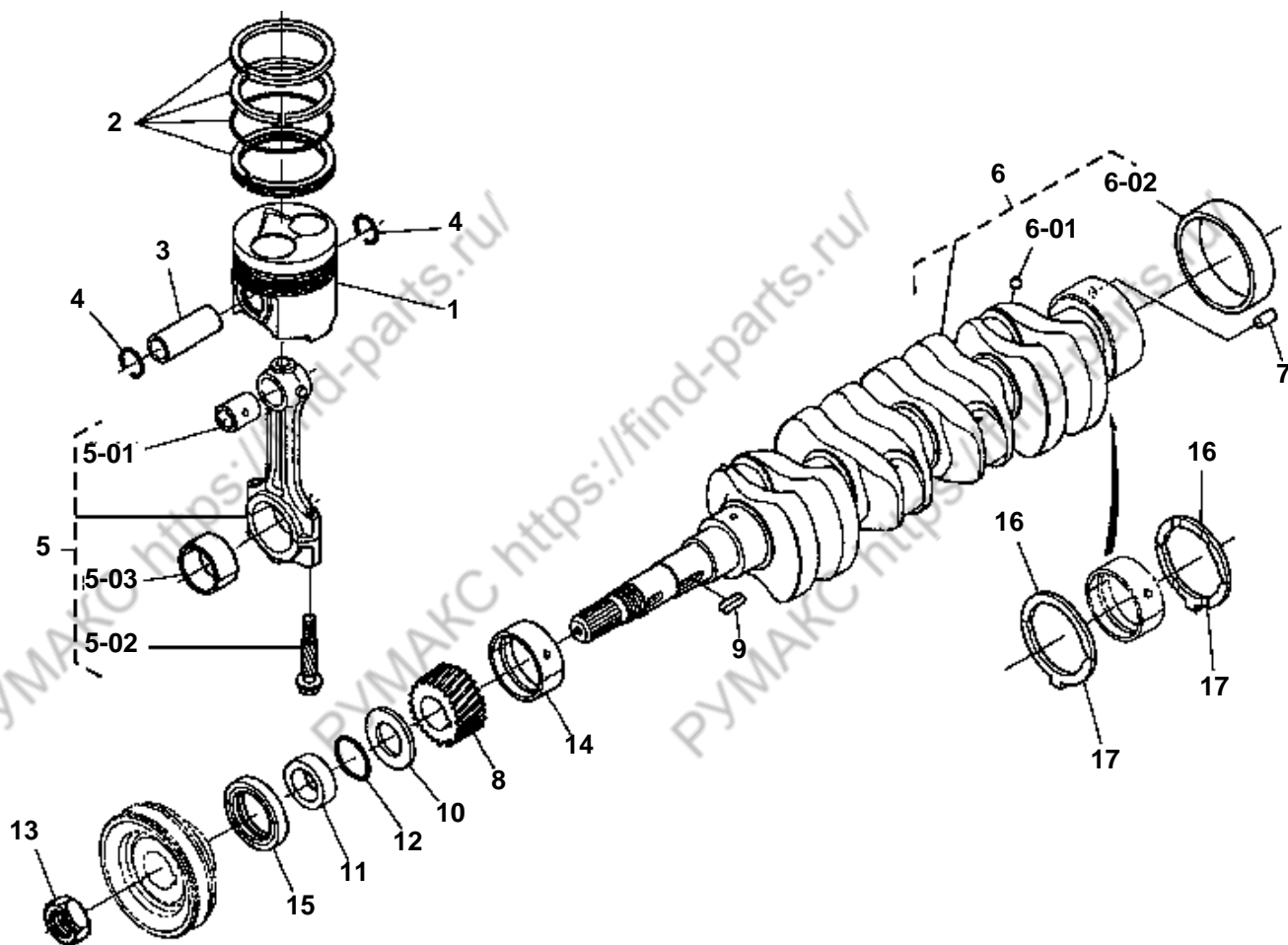


D15/18S5 D20SC-5

FIG.3-110-0

A663872 Camshaft And Idle Gear Shaft

NOTE	ITEM NO.	PART NUMBER	QTY	DESCRIPTION	CHANGE CODE	START SERIAL NO.					
						EM0UT	EM0UU	FDA01	FDA02	FDA03	-
	1	A383704	8	Tappet							
	2	A383801	8	Push Rod							
	3	A383802	1	Camshaft As							
	3-01	A663536	1	Ball							
	3-02	A663761	1	Gear, Cam							
	3-03	A383635	1	Key, Feather							
	3-04	A383663	1	Stopper, Camshaft							
	4	A383578	2	Bolt							
	5	A383852	1	Comp.Gear, Idle							
	5-01	A383765	1	Bush, Idle Gear							
	6	A383764	1	Collar							
	7	A383680	1	Cir Clip, External							
	8	A383762	1	Shaft, Idle Gear							
	9	A383578	3	Bolt							

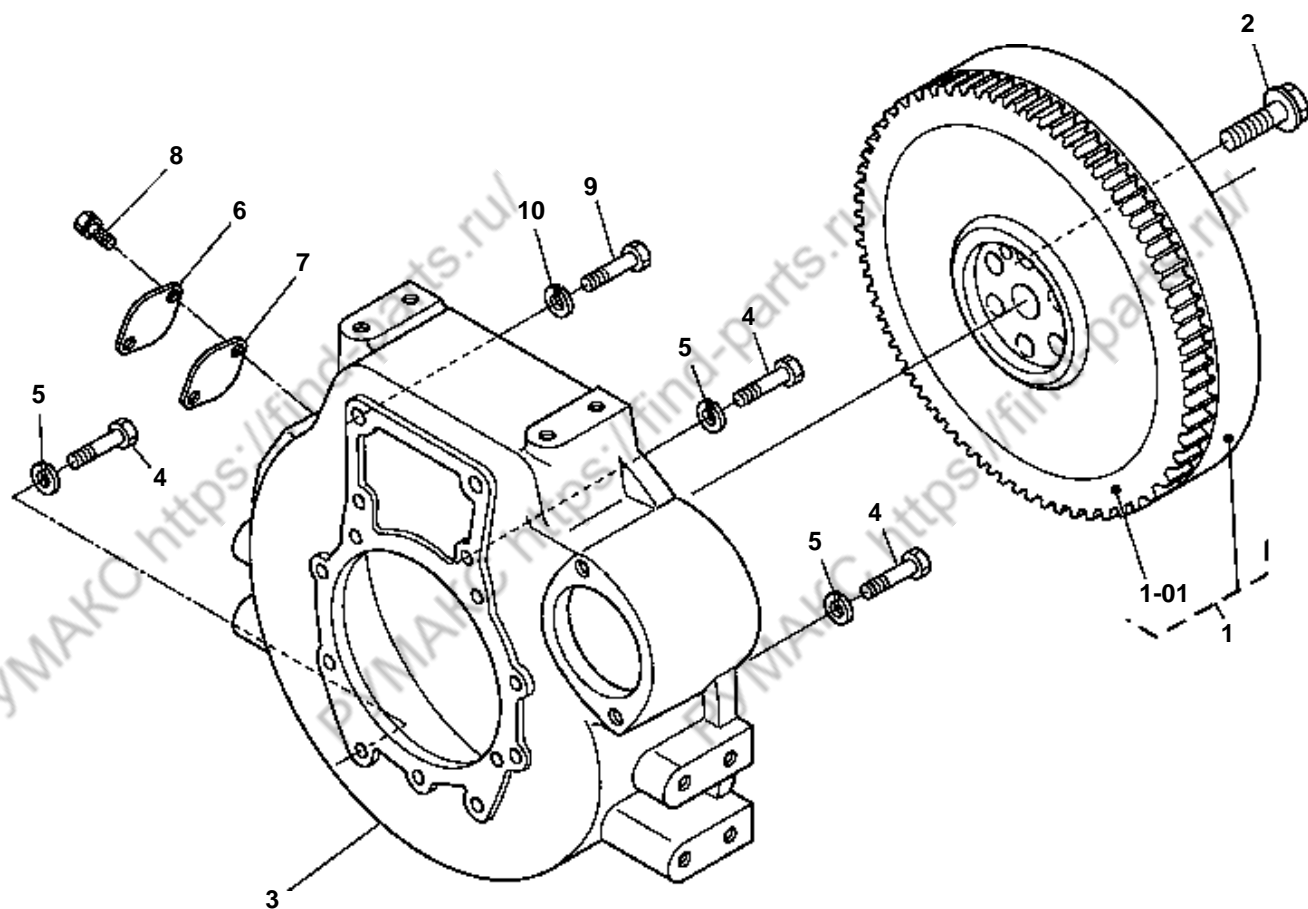


D15/18S5 D20SC-5

FIG.3-120-0

150107-00045 Piston And Crankshaft

NOTE	ITEM NO.	PART NUMBER	QTY	DESCRIPTION	CHANGE CODE	START SERIAL NO.				
						EM0UT	EM0UU	FDA01	FDA02	FDA03
	1	A383827	4	Piston(STD)						
		A383828	4	Piston(+0.25mm)						
	2	A383804	4	Piston Ring As(STD)						
		A383805	4	Piston Ring As(+0.25mm)						
	3	A383761	4	Pin, Piston						
	4	A383826	8	Cir Clip, Internal						
	5	A383730	4	Connecting Rod As						
	5-01	A383736	4	Bush, Piston Pin						
	5-02	A383698	8	Bolt, Connecting Rod						
	5-03	A383731	4	Metal, Crankpin(STD Set)						
		A383732	4	Metal, Crankpin(-0.20mm Set)						
		A383733	4	Metal, Crankpin(-0.40mm Set)						
	6	A383860	1	Comp. Crankshaft						
	6-01	A663536	4	Ball						
	6-02	A383755	1	Bush, Crankshaft						
	7	A663716	1	Pin, Straight						
	8	130410-00005	1	Gear, Crankshaft						
	9	A383636	1	Key, Feather						
	10	A383690	1	Slinger, Oil						
	11	A383754	1	Collar, Crankshaft						
	12	A383618	1	O-Ring						
	13	A383664	1	Nut, Crankshaft						
	14	A383806	1	Metal, Crankshaft(STD)						
		A383810	1	Metal, Crankshaft(-0.20mm Set)						
		A383811	1	Metal, Crankshaft(-0.40mm Set)						
	15	A383753	1	Seal, Oil						
	16	A383808	2	Metal, Side(STD)						
		A383814	2	Metal, Side(+0.20mm)						
		A383815	2	Metal, Side(+0.40mm)						
	17	A383809	2	Metal, Side(STD)						
		A383816	2	Metal, Side(+0.20mm)						
		A383817	2	Metal, Side(+0.40mm)						

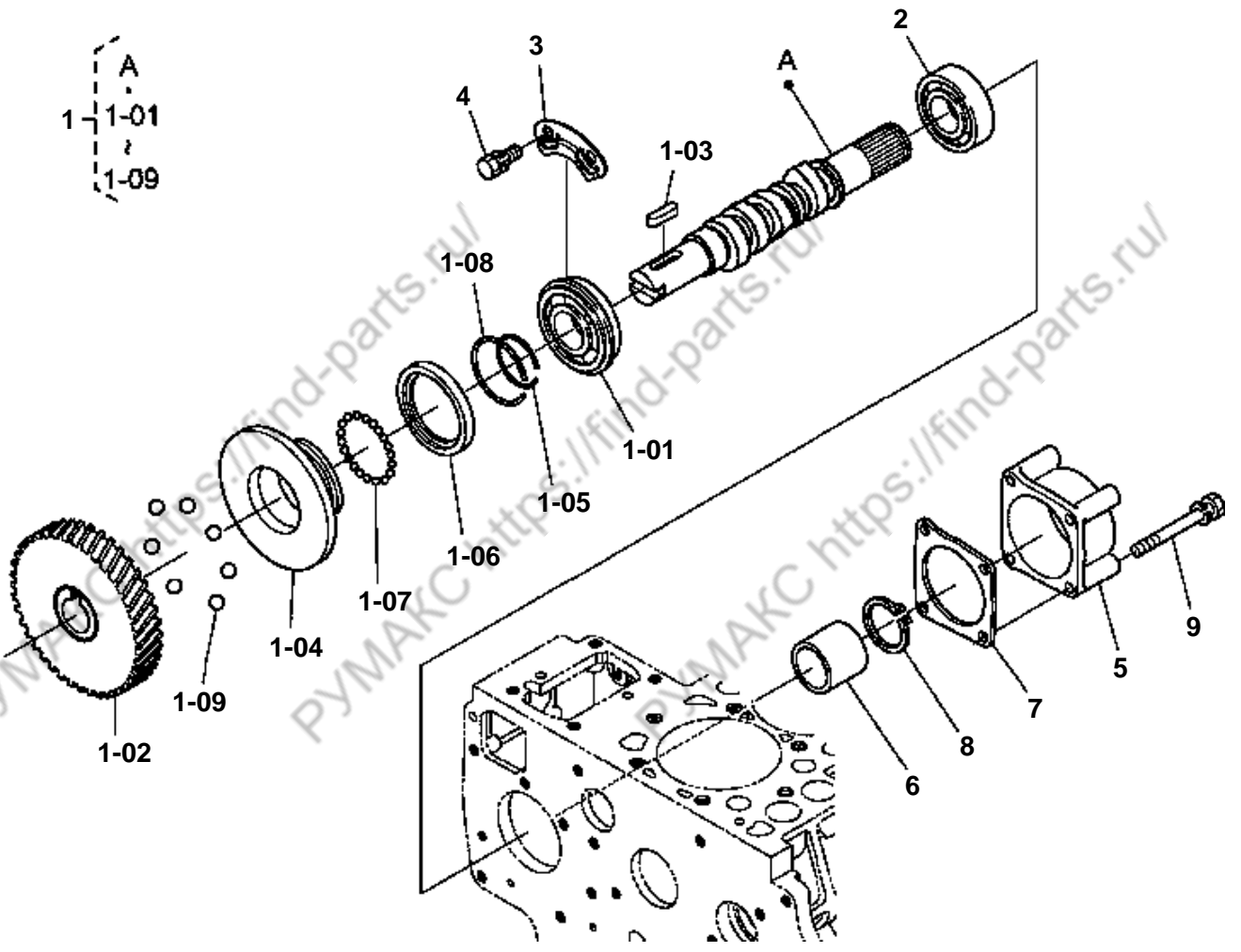


D15/18S5 D20SC-5

FIG.3-130-0

A663874 Flywheel

NOTE	ITEM NO.	PART NUMBER	QTY	DESCRIPTION	CHANGE CODE	START SERIAL NO.					
						EM0UT	EM0UU	FDA01	FDA02	FDA03	-
	1	A663786	1	Comp.Flywheel							
	1-01	A383842	1	Gear, Ring							
	2	A663846	6	Bolt, Flywheel							
	3	A663785	1	Housing, Flywheel							
	4	A383573	11	Bolt							
	5	A383613	11	Washer, Spring							
	6	A383696	1	Cover							
	7	A383697	1	Packing, Cover							
	8	A383577	2	Bolt							
	9	A383574	2	Bolt							
	10	A663526	2	Washer, Spring							

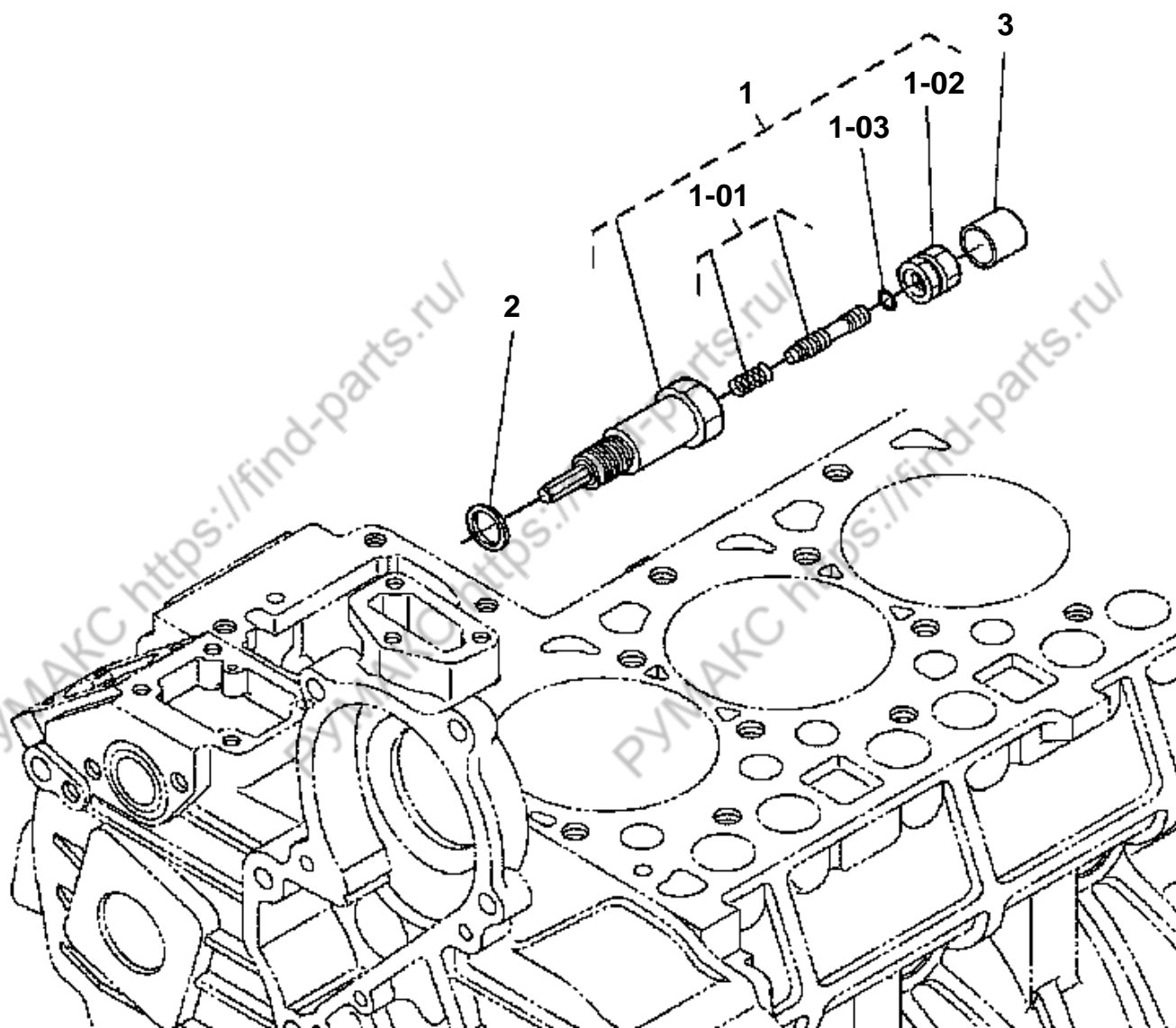


D15/18S5 D20SC-5

FIG.3-140-0

A663875 Fuel Camshaft And Governor Shaft

NOTE	ITEM NO.	PART NUMBER	QTY	DESCRIPTION	CHANGE CODE	START SERIAL NO.					
						EM0UT	EM0UU	FDA01	FDA02	FDA03	-
	1	A383868	1	Fuel Camshaft Ass. y							
	1-01	A383874	1	Bearing, Ball							
	1-02	A663816	1	Gear, Injection Pump							
	1-03	A663533	1	Key, Feather							
	1-04	A663618	1	Sleeve, Governor							
	1-05	A663570	1	Cir-Clip, Gov. Sleeve							
	1-06	A663619	1	Case, Governor Ball							
	1-07	A663538	39	Ball							
	1-08	A663571	1	Cir-Clip							
	1-09	A663537	7	Ball							
	2	A383863	1	Bearing, Ball							
	3	A383803	1	Stopper, Fuel C/Shaft							
	4	A383576	2	Bolt							
	5	A383669	1	Cover, Fuel Camshaft							
	6	A383861	1	Collar							
	7	A383830	1	Gasket							
	8	A383694	1	Cir Clip, External							
	9	A383586	4	Bolt							

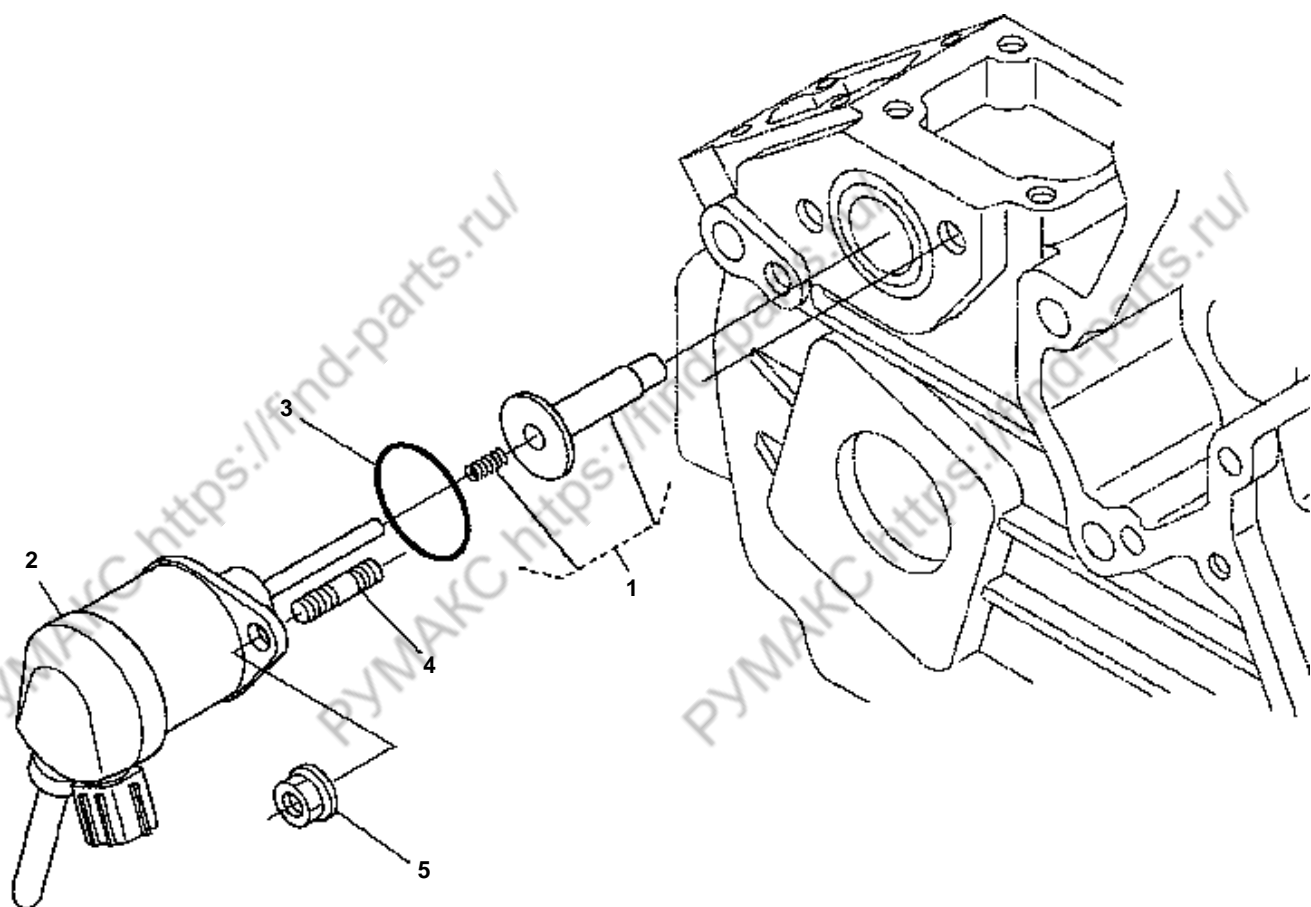


D15/18S5 D20SC-5

FIG.3-150-0

A663876 Idle Apparatus

NOTE	ITEM NO.	PART NUMBER	QTY	DESCRIPTION	CHANGE CODE	START SERIAL NO.					
						EM0UT	EM0UU	FDA01	FDA02	FDA03	-
	1	A383768	1	Apparatus, Idling							
	1-01	A663841	1	Bolt, Adjustment Ass. фy							
	1-02	A663845	1	Nut, Spring							
	1-03	A663530	1	O-Ring							
	2	A383617	1	Gasket							
	3	A383872	1	Cap							

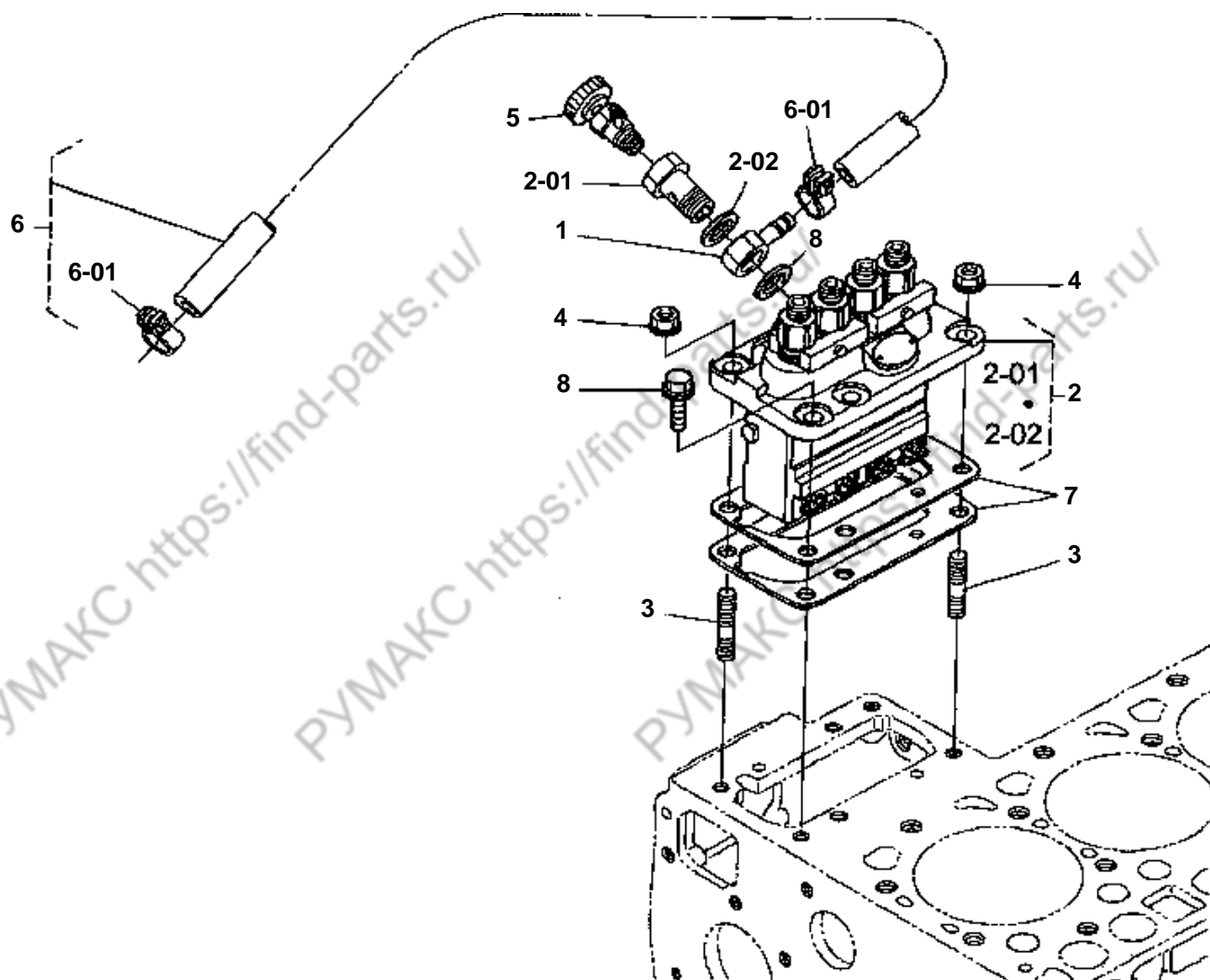


D15/18S5 D20SC-5

FIG.3-160-0

A663877 Stop Solenoid

NOTE	ITEM NO.	PART NUMBER	QTY	DESCRIPTION	CHANGE CODE	START SERIAL NO.					
						EMOUT	EM0UU	FDA01	FDA02	FDA03	-
	1	A383771	1	Comp.Guide, Solenoid							
	2	A383777	1	Solenoid Ass. ʘy							
	3	A383619	1	O-Ring							
	4	A383667	2	Stud							
	5	A383604	2	Nut, Flange							

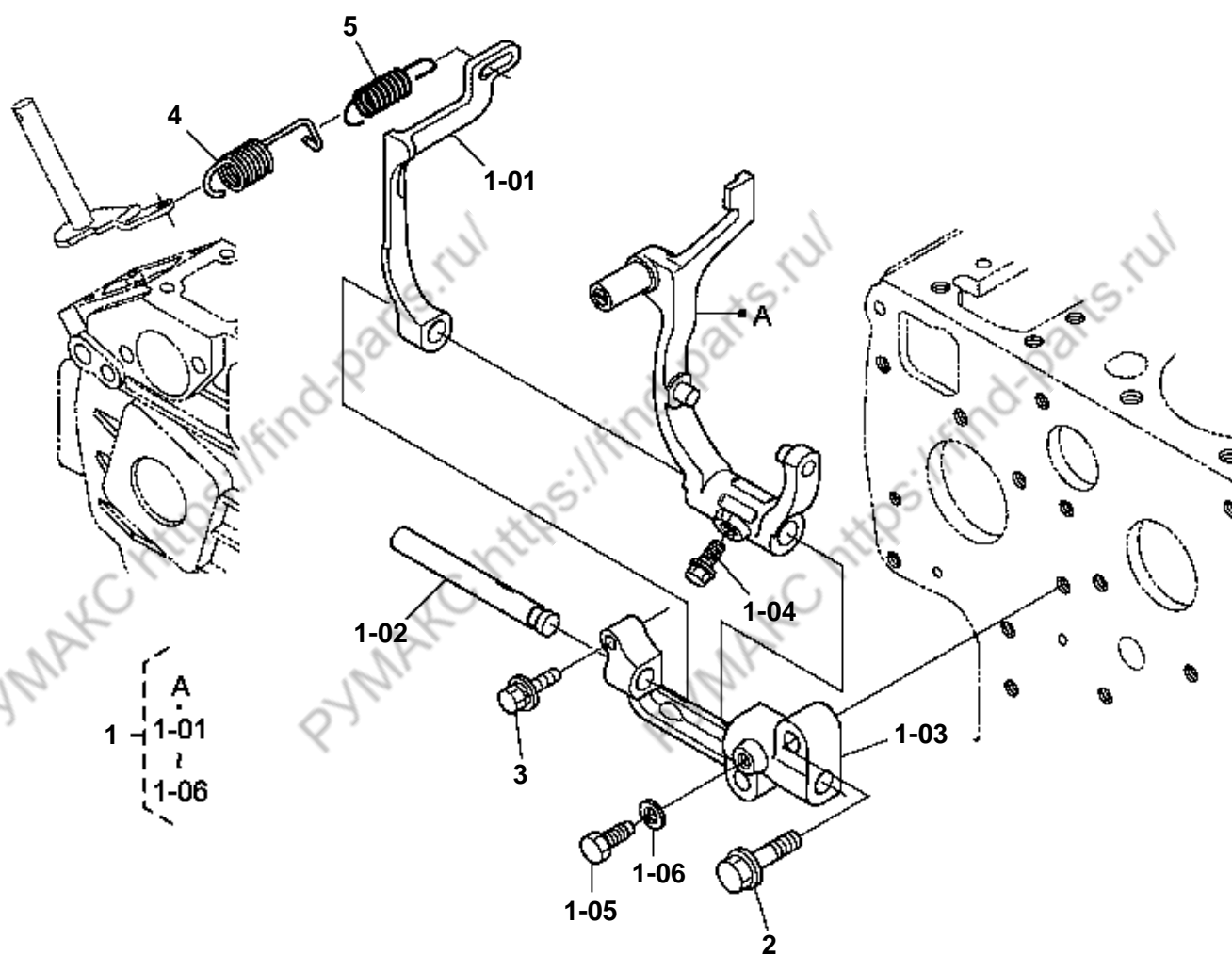


D15/18S5 D20SC-5

FIG.3-170-0

A663878 Injection Pump

NOTE	ITEM NO.	PART NUMBER	QTY	DESCRIPTION	CHANGE CODE	START SERIAL NO.					
						EM0UT	EM0UU	FDA01	FDA02	FDA03	-
	1	A383677	1	Joint, Eye							
	2	A383841	1	Pump, Injection Ass. ʹy							
	2-01	A383692	1	Screw, Hollow							
	2-02	A383678	2	Gasket							
	3	A383668	2	Stud							
	4	A383605	2	Nut, Flange							
	5	A663546	1	Cock, Jet Start Ass. ʹy							
	6	A663547	1	Pipe, Fuel As							
	6-01	A383644	2	Clip, Pipe							
	7	A383867	1	Shim, Injection Pump(0.175mm)							
		A383744	1	Shim, Injection Pump(0.200mm)							
		A383745	1	Shim, Injection Pump(0.250mm)							
		A383746	1	Shim, Injection Pump(0.300mm)							
	8	A383596	4	Bolt, Flange							

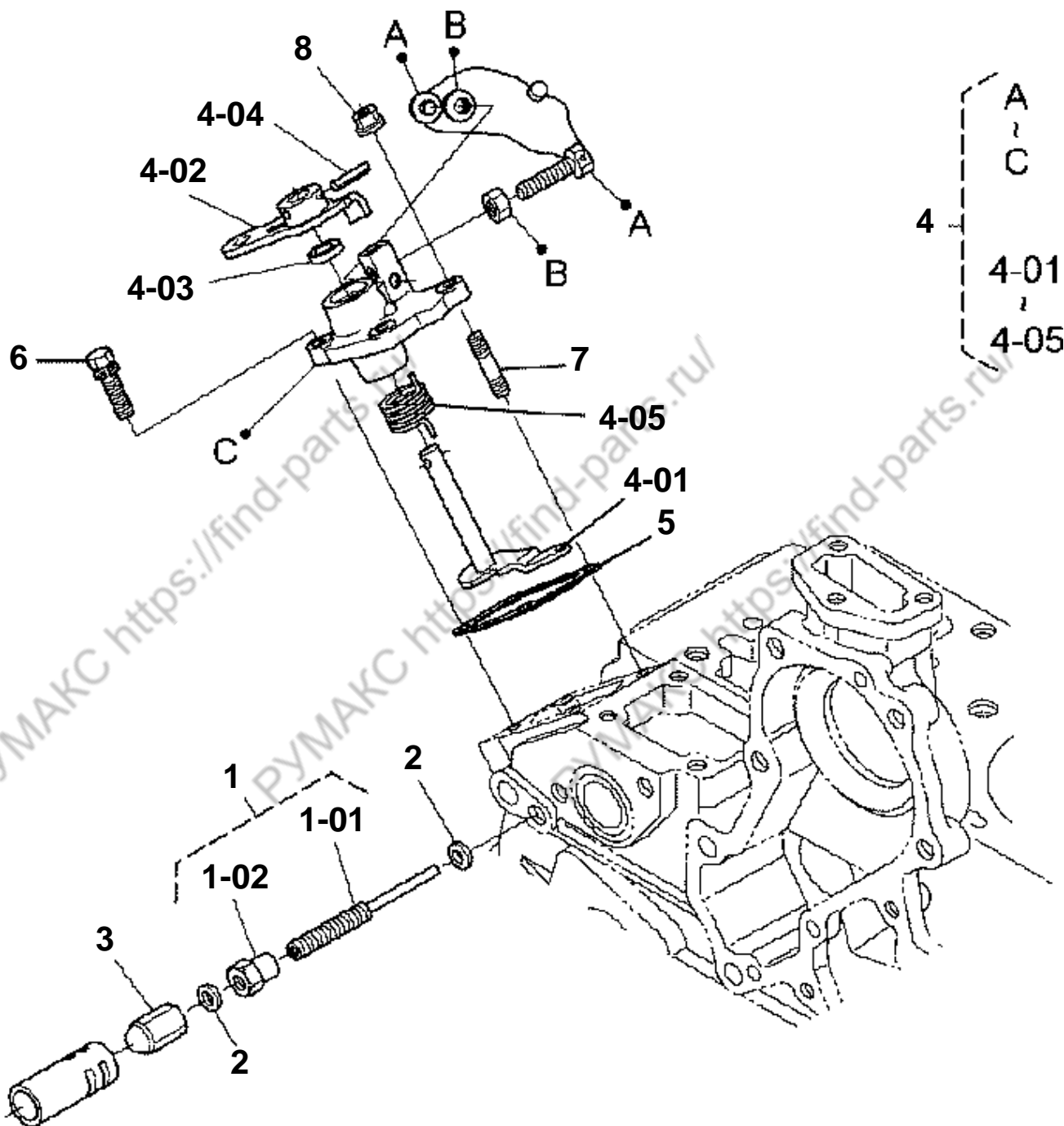


D15/18S5 D20SC-5

FIG.3-180-0

A663879 Governor

NOTE	ITEM NO.	PART NUMBER	QTY	DESCRIPTION	CHANGE CODE	START SERIAL NO.					
						EM0UT	EM0UU	FDA01	FDA02	FDA03	-
	1	A383825	1	Lever, Fork Ass. y							
	1-01	A663726	1	Lever, Fork							
	1-02	A663843	1	Shaft, Fork Lever							
	1-03	A663572	1	Holder, Fork Lever							
	1-04	A663516	1	Bolt, Flange							
	1-05	A663573	1	Bolt							
	1-06	A383611	1	Washer, Spring							
	2	A383597	2	Bolt, Flange							
	3	A663509	1	Bolt							
	4	A383759	1	Spring, Governor							
	5	A383770	1	Spring, Governor							

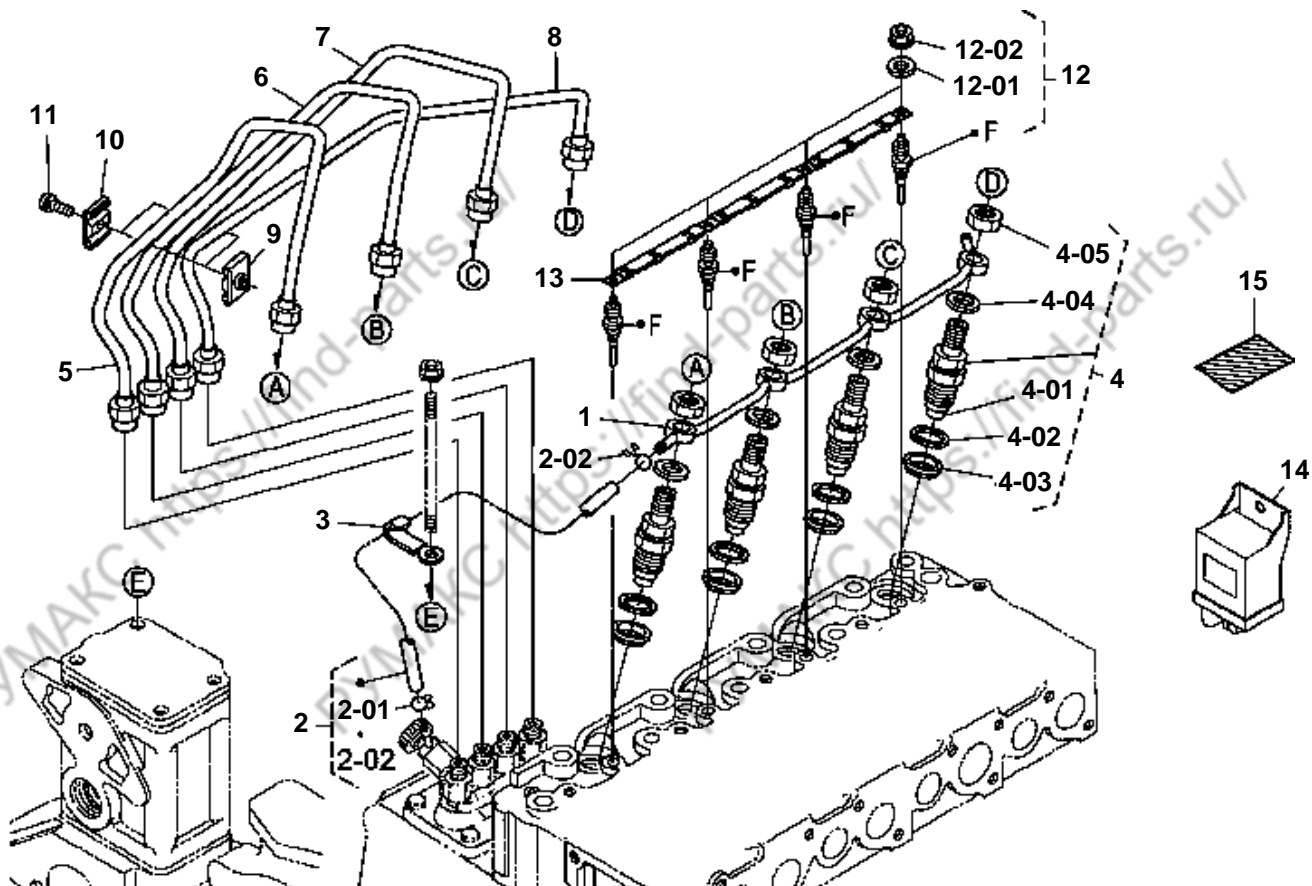


D15/18S5 D20SC-5

FIG.3-190-0

A663880 Speed Control Plate

NOTE	ITEM NO.	PART NUMBER	QTY	DESCRIPTION	CHANGE CODE	START SERIAL NO.					
						EMOUT	EMOUU	FDA01	FDA02	FDA03	-
	1	A383769	1	Bolt, Adjustment Ass. y							
	1-01	A663722	1	Bolt, Adjusting							
	1-02	A663616	1	Nut							
	2	A663617	2	Gasket							
	3	A383707	1	Nut							
	4	A383851	1	Control Plate Ass. y							
	4-01	A663725	1	Comp.Lever, Governor							
	4-02	A663818	1	Lever, Speed Control							
	4-03	A383727	1	Seal, Oil							
	4-04	A383631	1	Pin, Spring							
	4-05	A383776	1	Spring, Return							
	5	A383772	1	Gasket, Plate							
	6	A383569	2	Bolt							
	7	A383667	2	Stud							
	8	A383604	2	Nut, Flange							

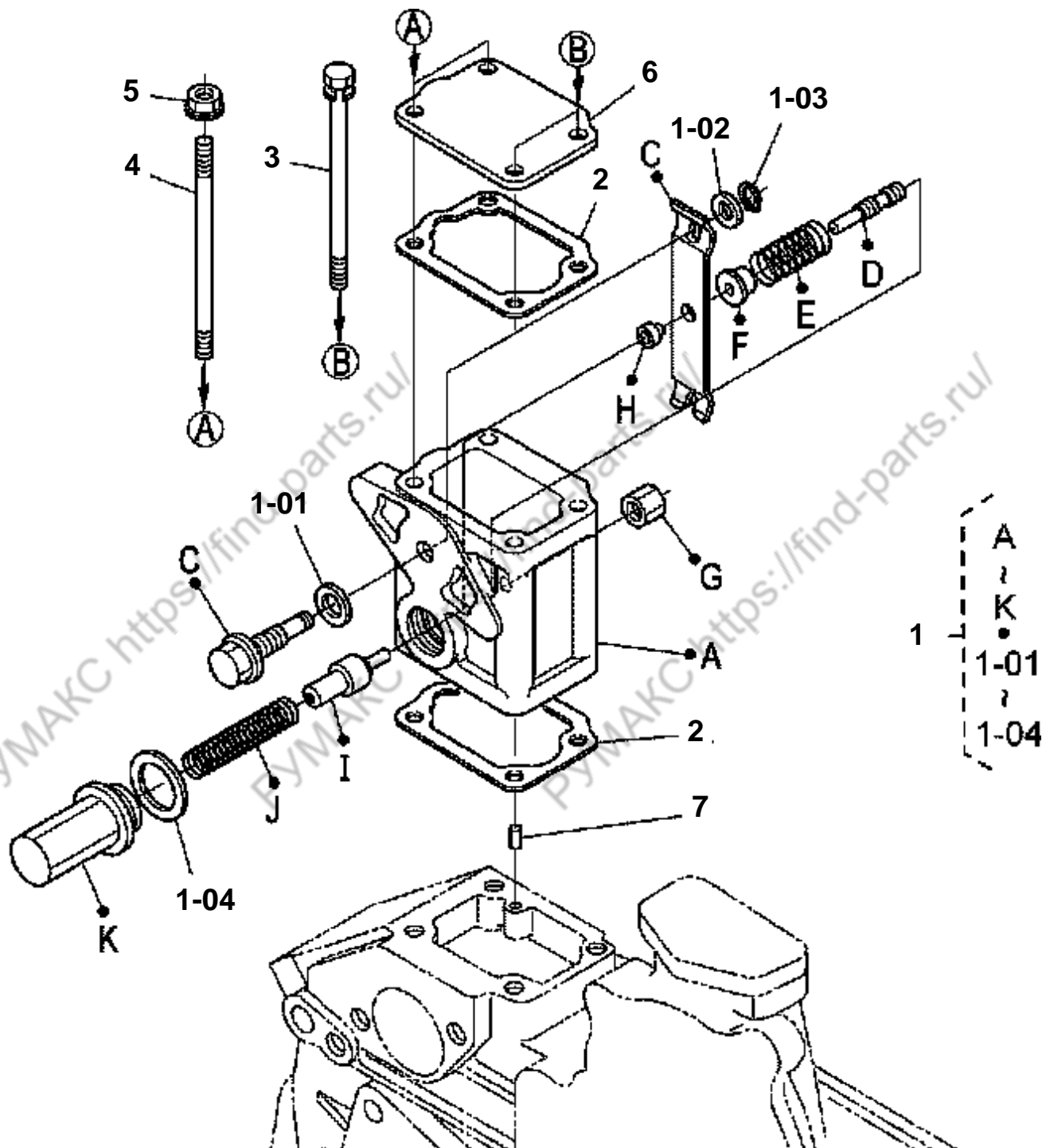


D15/18S5 D20SC-5

FIG.3-200-0

A663881 Nozzle Holder And Glow Plug

NOTE	ITEM NO.	PART NUMBER	QTY	DESCRIPTION	CHANGE CODE	START SERIAL NO.					
						EMOUT	EM0UU	FDA01	FDA02	FDA03	-
	1	A383723	1	Over Flow Pipe Ass. ʘy							
	2	A663689	1	Over Flow Pipe Ass. ʘy							
	2-01	A383672	1	Clip, Pipe							
	2-02	A383647	1	Clip, Pipe							
	3	A383671	1	Clamp, Cord							
	4	A383725	4	Kit Holder, Nozzle							
	4-01	A383724	4	Piece, Nozzle							
	4-02	A383709	4	Gasket							
	4-03	A383747	4	Seal, Heat							
	4-04	A663628	4	Nut							
	4-05	A663629	4	Washer							
	5	A383748	1	Pipe, Injection							
	6	A383749	1	Pipe, Injection							
	7	A383750	1	Pipe, Injection							
	8	A383751	1	Pipe, Injection							
	9	A383710	3	Clamp, Pipe							
	10	A383711	3	Clamp, Pipe							
	11	A383608	3	Screw, With Washer							
	12	A383752	4	Glow Plug							
	12-01	A663520	4	Washer, Plain							
	12-02	A383606	4	Nut, Flange							
	13	A383843	1	Cord, Glow Plug							
	14	A383879	1	Controller							
Z	15		1	Label, Fuel							

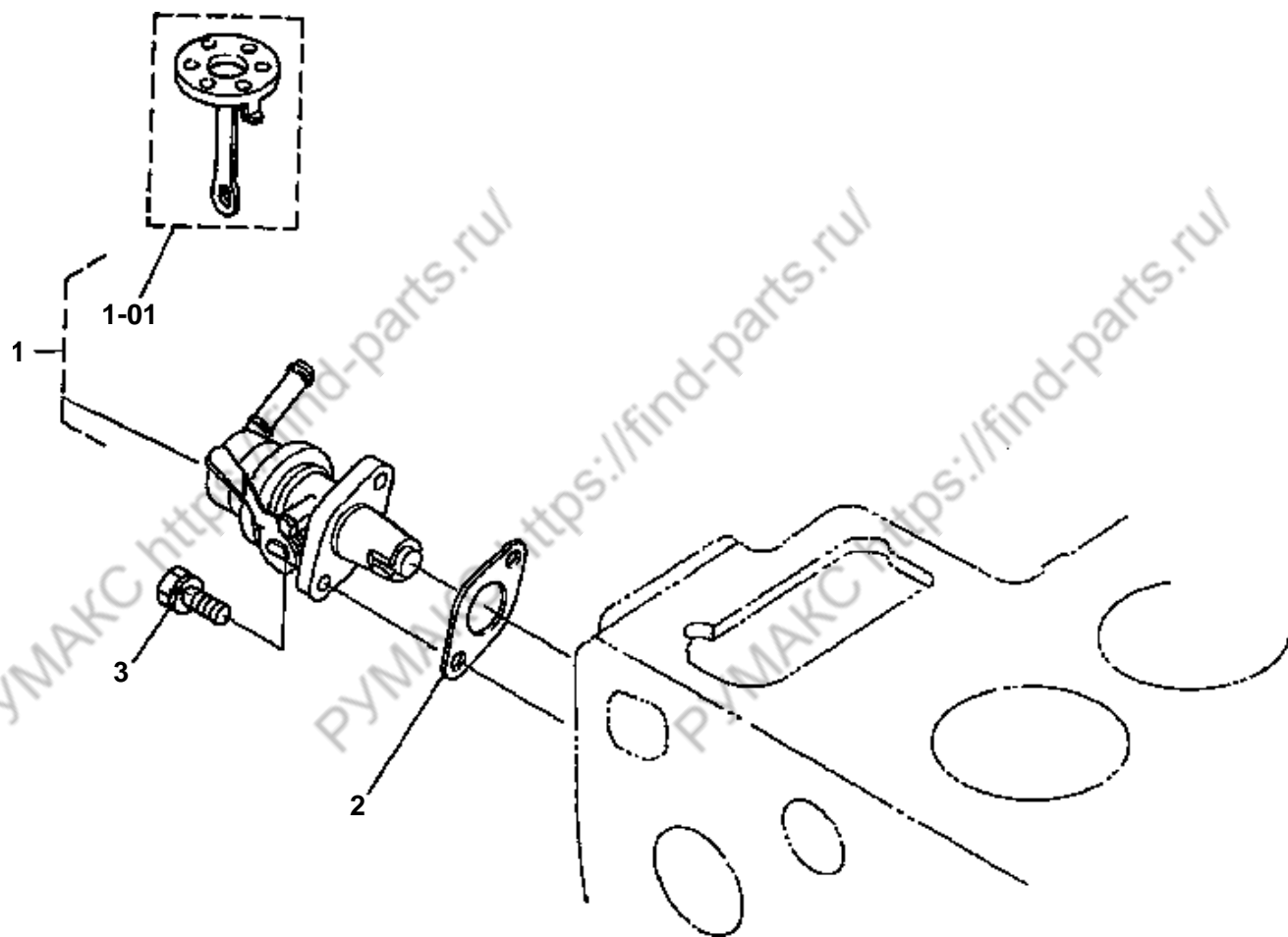


D15/18S5 D20SC-5

FIG.3-210-0

A663882 Boost Compensator

NOTE	ITEM NO.	PART NUMBER	QTY	DESCRIPTION	CHANGE CODE	START SERIAL NO.					
						EM0UT	EM0UU	FDA01	FDA02	FDA03	-
	1	A663784	1	Boost Compensator Ass. y							
	1-01	A663550	1	Gasket							
	1-02	A663521	1	Washer, Plain							
	1-03	A663527	1	Cir Clip, External							
	1-04	A663529	1	Gasket							
	2	A383772	2	Gasket, Plate							
	3	A663507	2	Bolt							
	4	A663804	2	Stud							
	5	A383604	2	Nut, Flange							
	6	A663803	1	Cover, Boost Com.Hous							
	7	A663531	1	Pin, Straight							

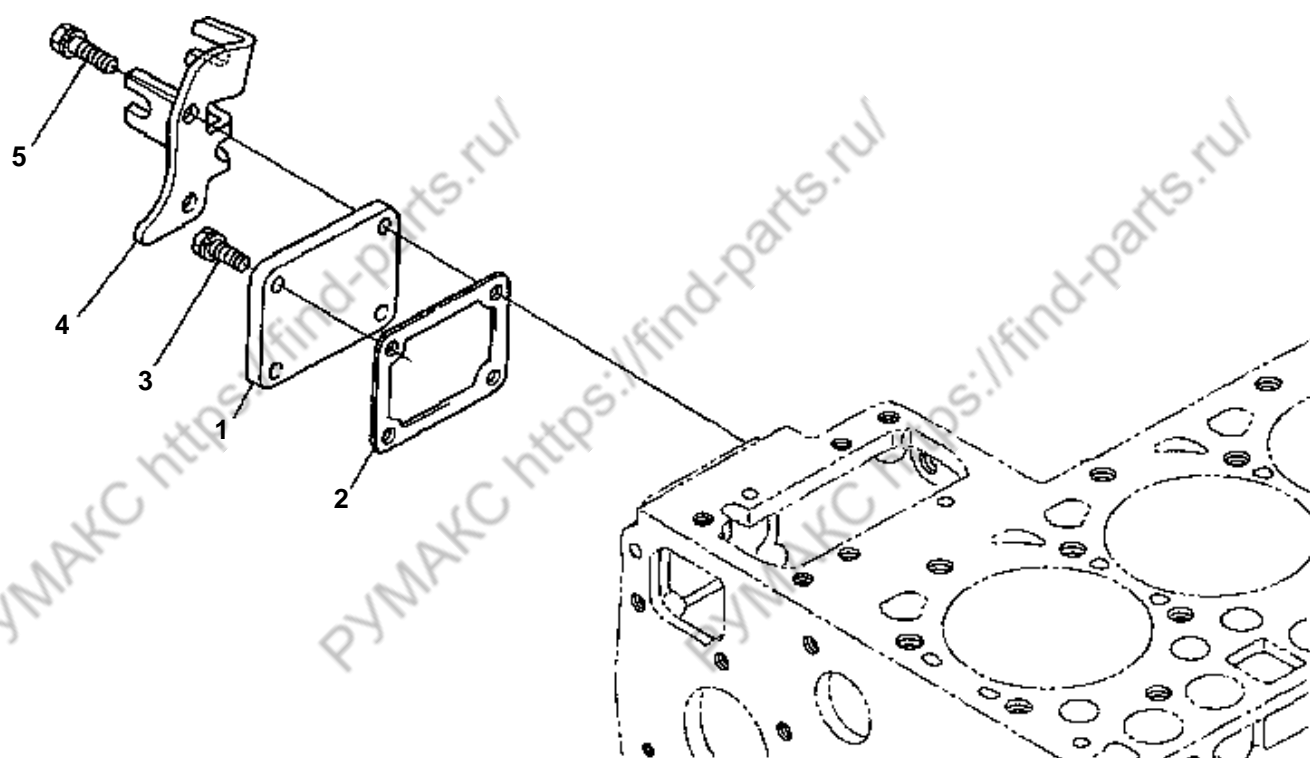


D15/18S5 D20SC-5

FIG.3-220-0

A663883 Fuel Pump(Mechanical)

NOTE	ITEM NO.	PART NUMBER	QTY	DESCRIPTION	CHANGE CODE	START SERIAL NO.					
						EM0UT	EM0UU	FDA01	FDA02	FDA03	-
	1	A383740	1	Fuel Pump Ass. 7y							
	1-01	A663712	1	Comp Diaphragm							
	2	A383840	1	Gasket, Fuel Pump							
	3	A383567	2	Bolt							

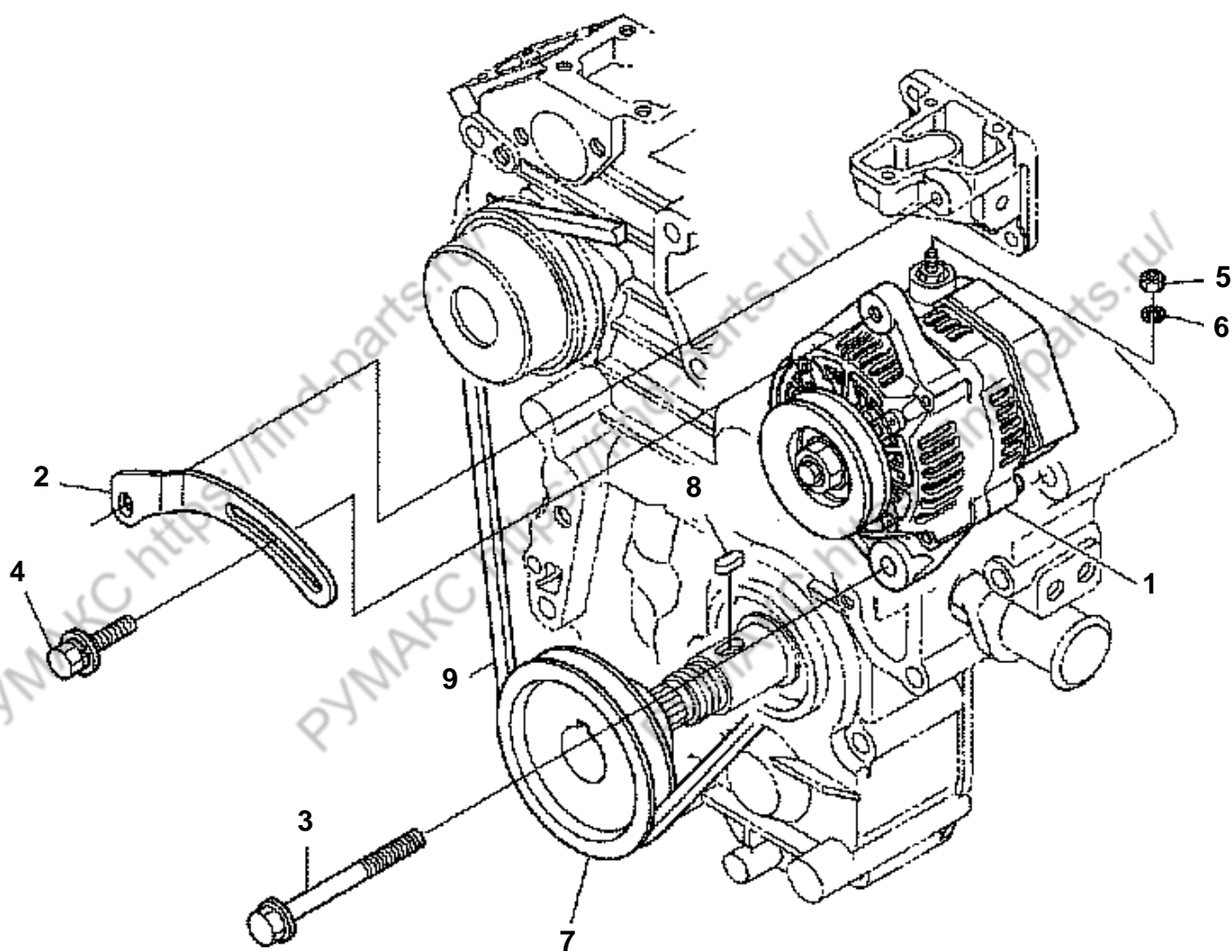


D15/18S5 D20SC-5

FIG.3-230-0

A663884 Cover

NOTE	ITEM NO.	PART NUMBER	QTY	DESCRIPTION	CHANGE CODE	START SERIAL NO.					
						EM0UT	EM0UU	FDA01	FDA02	FDA03	-
	1	A383785	1	Cover, Inj.Pump							
	2	A383767	1	Gasket, Pump Cover							
	3	A383567	2	Bolt							
	4	A383786	1	Bracket, Accel.Cable							
	5	A383569	2	Bolt							

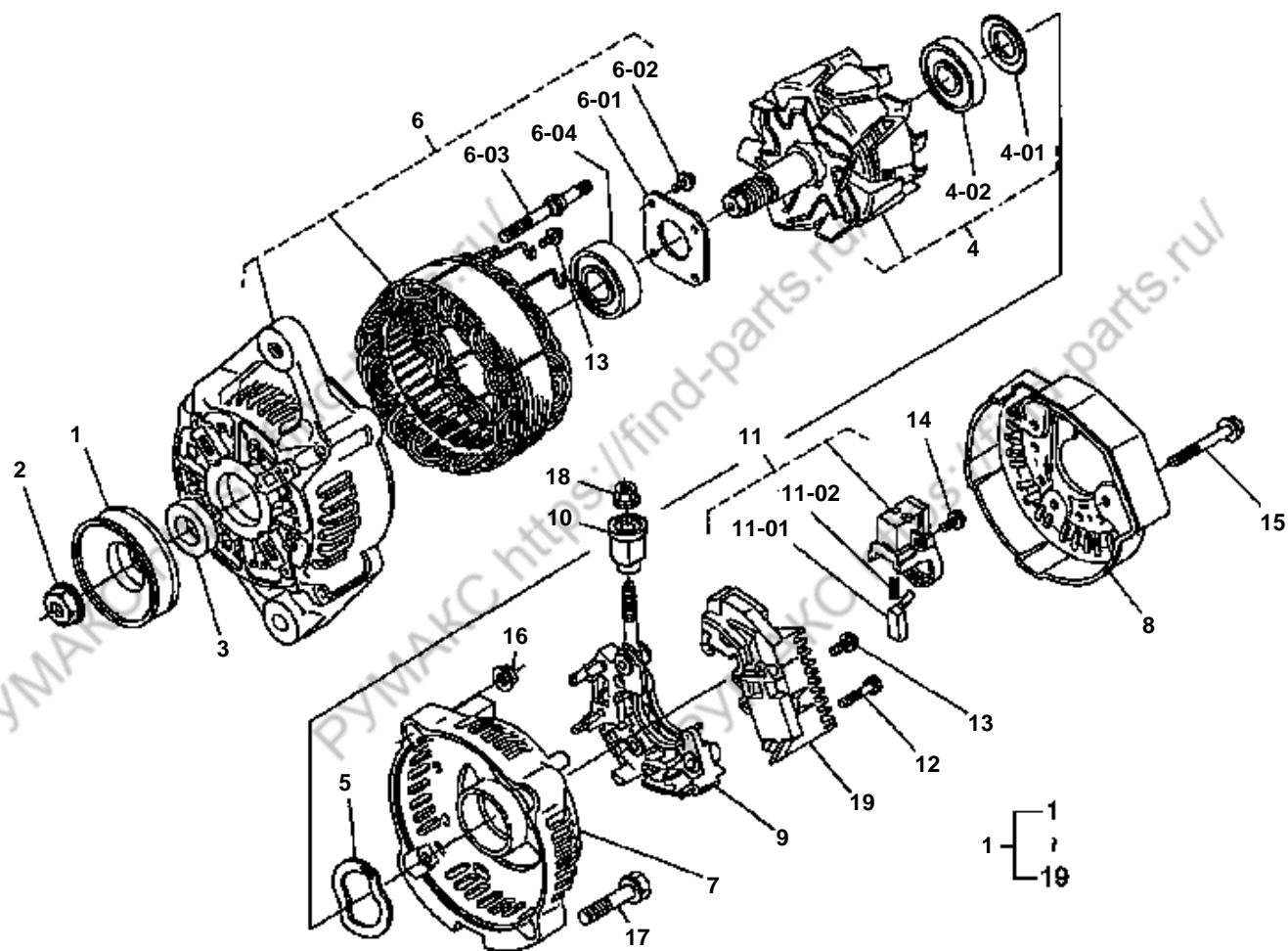


D15/18S5 D20SC-5

FIG.3-240-0

300901-00022 Alternator And Pulley

NOTE	ITEM NO.	PART NUMBER	QTY	DESCRIPTION	CHANGE CODE	START SERIAL NO.					
						EM0UT	EM0UU	FDA01	FDA02	FDA03	-
Y	1	A383717	1	Alternator Ass. 7y							
	2	A663742	1	Stay, Dynamo							
	3	A663517	1	Bolt, Flange							
	4	A663512	1	Bolt							
	5	A383602	1	Nut							
	6	A383611	1	Washer, Spring							
	7	A383788	1	Pulley, Fan Drive							
	8	A383635	1	Key, Feather							
	9	A298149	1	V-Belt							

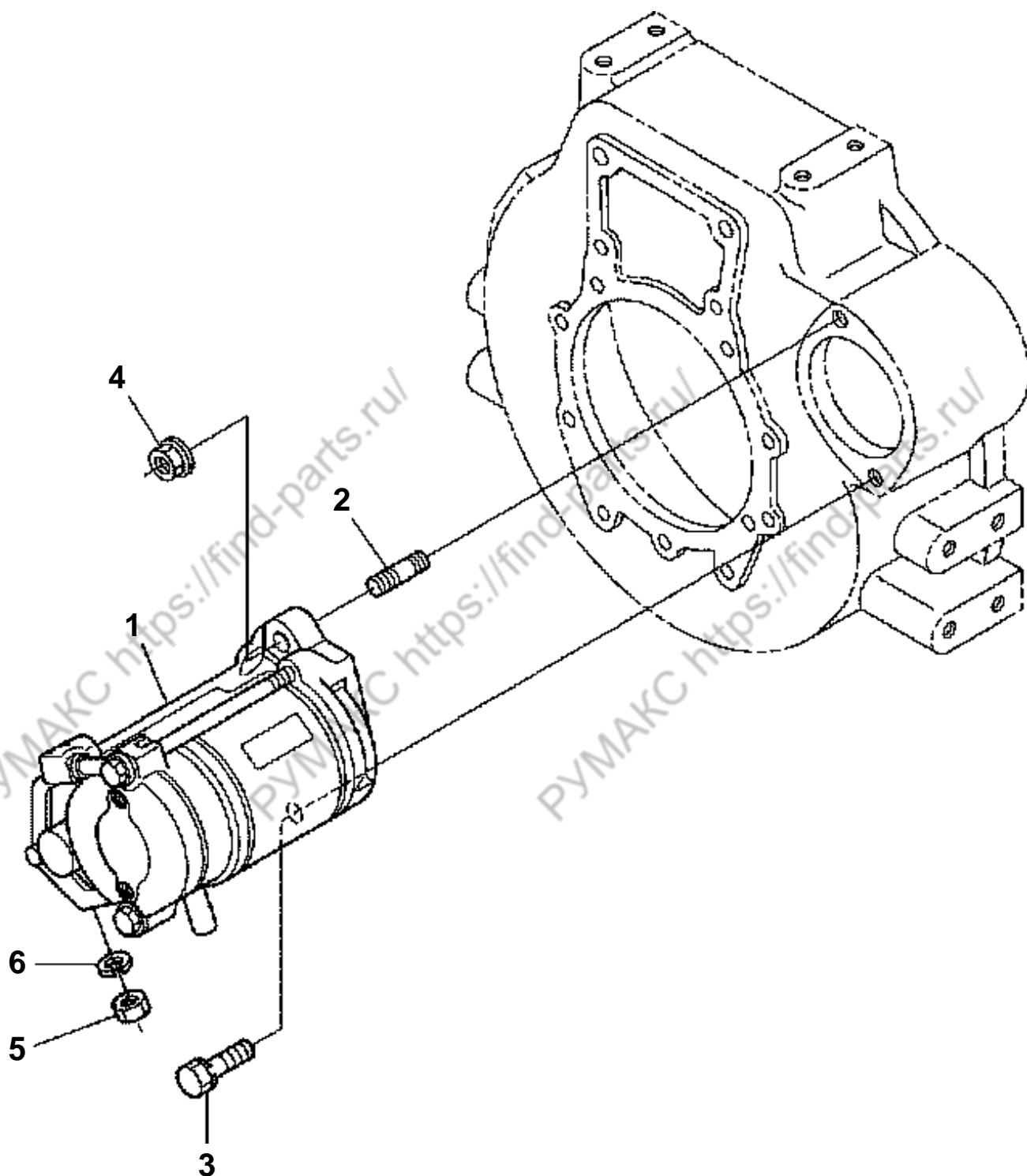


D15/18S5 D20SC-5

FIG.3-240-1

A383717 Alternator Ass. 7y

NOTE	ITEM NO.	PART NUMBER	QTY	DESCRIPTION	CHANGE CODE	START SERIAL NO.					
						EM0UT	EM0UU	FDA01	FDA02	FDA03	-
	1	A663659	1	Pulley, Alternator							
	2	A663642	1	Nut							
	3	A663632	1	Collar							
	4	A663856	1	Rotor							
	4-01	A663636	1	Cover, Bearing							
	4-02	A663666	1	Bearing, Ball							
	5	A663637	1	Washer, Thrust							
	6	A663855	1	Frame, Drive End							
	6-01	A663635	1	Plate, Retainer							
	6-02	A663644	4	Screw, Round Head							
	6-03	A663633	2	Bolt, Through							
	6-04	A663667	1	Bearing, Ball							
	7	160609-00060	1	Frame, End							
	8	A663669	1	Cover, End							
	9	A663638	1	Rectifier As							
	10	A663639	1	Bush, Insulation							
	11	A663664	1	Holder, Brush							
	11-01	A663631	2	Brush							
	11-02	A663634	2	Spring, Brush							
	12	A663645	2	Screw, Round Head							
	13	A663646	6	Screw, Round Head							
	14	A663647	1	Screw, Round Head							
	15	A663640	3	Bolt							
	16	A663643	2	Nut							
	17	A663641	2	Bolt							
	18	A663544	1	Nut							
	19	A663665	1	Regulator Ass. 7y							

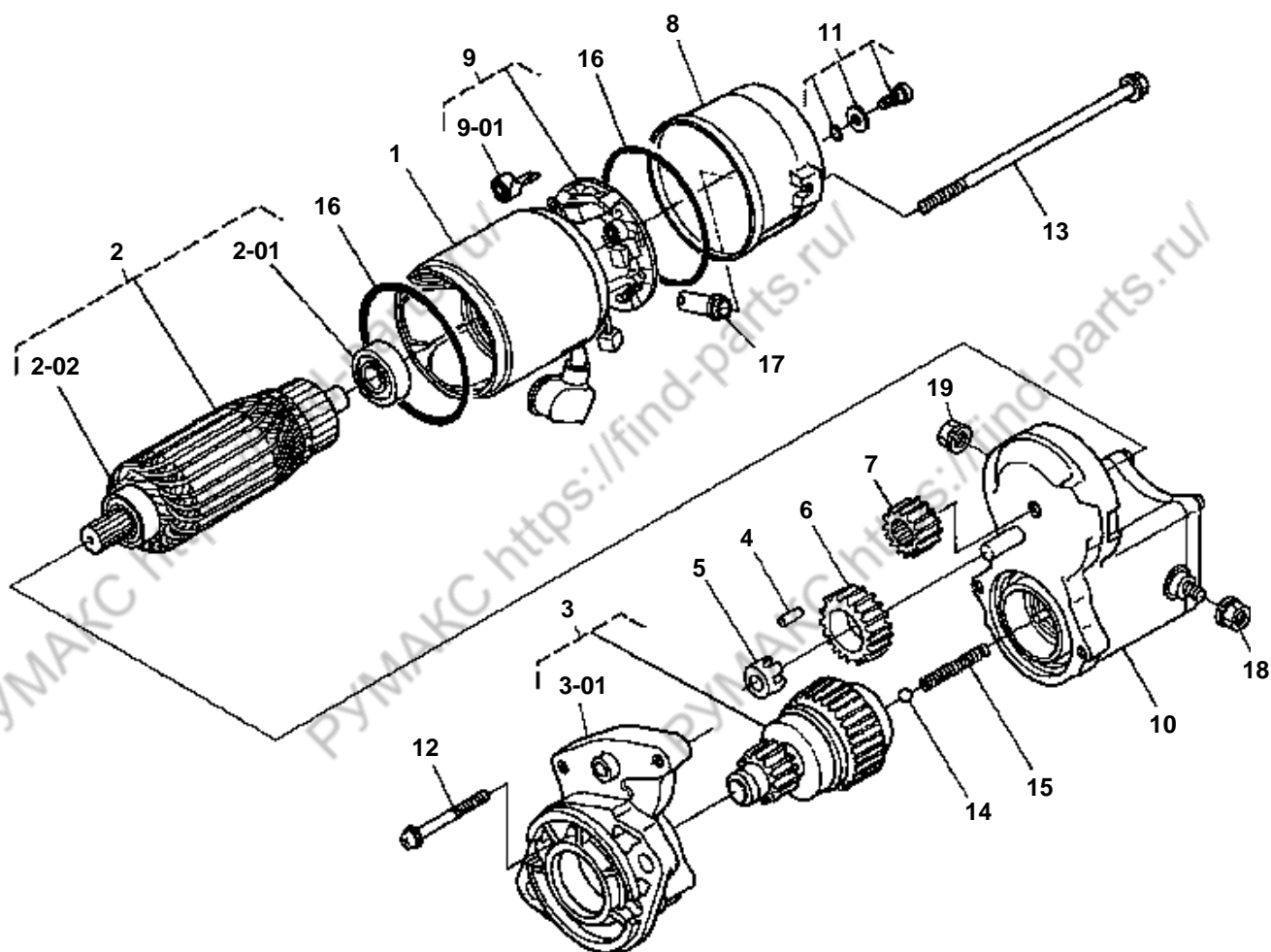


D15/18S5 D20SC-5

FIG.3-250-0

A663887 Starter

NOTE	ITEM NO.	PART NUMBER	QTY	DESCRIPTION	CHANGE CODE	START SERIAL NO.					
						EM0UT	EM0UU	FDA01	FDA02	FDA03	-
Y	1	A383856	1	Starter Ass. 7y							
	2	A663515	1	Stud							
	3	A663513	1	Bolt							
	4	A663519	1	Nut, Flange							
	5	A663518	1	Nut							
	6	A383612	1	Washer, Spring							

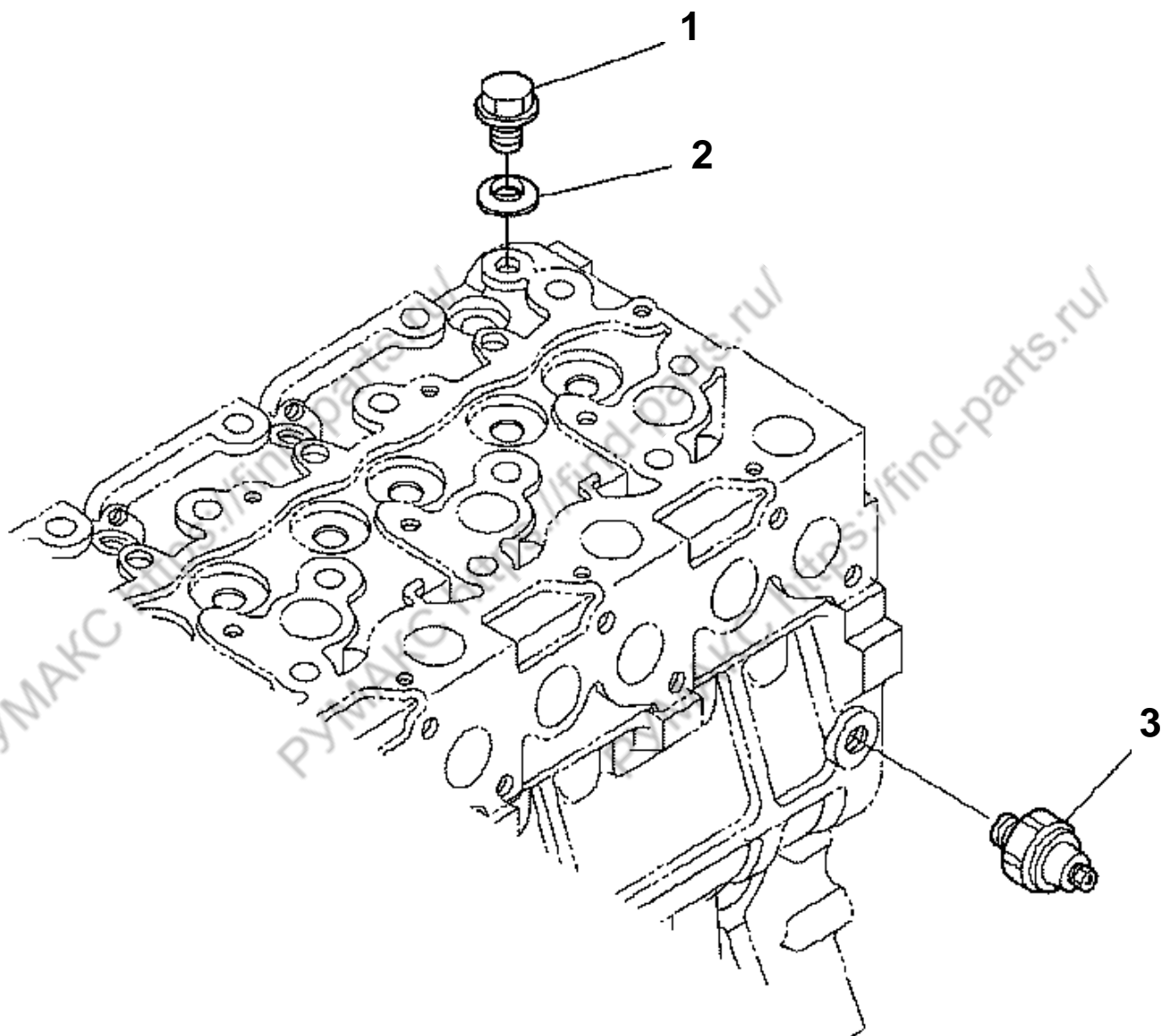


D15/18S5 D20SC-5

FIG.3-250-1

A383856 Starter Ass. 7y

NOTE	ITEM NO.	PART NUMBER	QTY	DESCRIPTION	CHANGE CODE	START SERIAL NO.					
						EM0UT	EM0UU	FDA01	FDA02	FDA03	-
	1	A663673	1	Yoke							
	2	A663672	1	Armature							
	2-01	A663679	1	Bearing							
	2-02	A663542	1	Bearing							
	3	A663622	1	Clutch, Over Running							
	3-01	A663671	1	Frame, Drive End							
	4	A663710	5	Roller							
	5	A663539	1	Retainer							
	6	A663541	1	Gear							
	7	A663676	1	Gear							
	8	A663675	1	Frame, End							
	9	A663678	1	Holder, Brush							
	9-01	A663674	4	Spring							
	10	A663825	1	Switch, Magnetic Ass. 7y							
	11	A663680	2	Screw							
	12	A663681	2	Screw							
	13	A663677	2	Bolt, Through							
	14	A663711	1	Ball							
	15	A663540	1	Spring							
	16	A663604	2	O-Ring							
	17	A663653	1	Pipe, Drain							
	18	A663543	1	Nut, Hexagon							
	19	A663654	1	Nut, Hexagon							

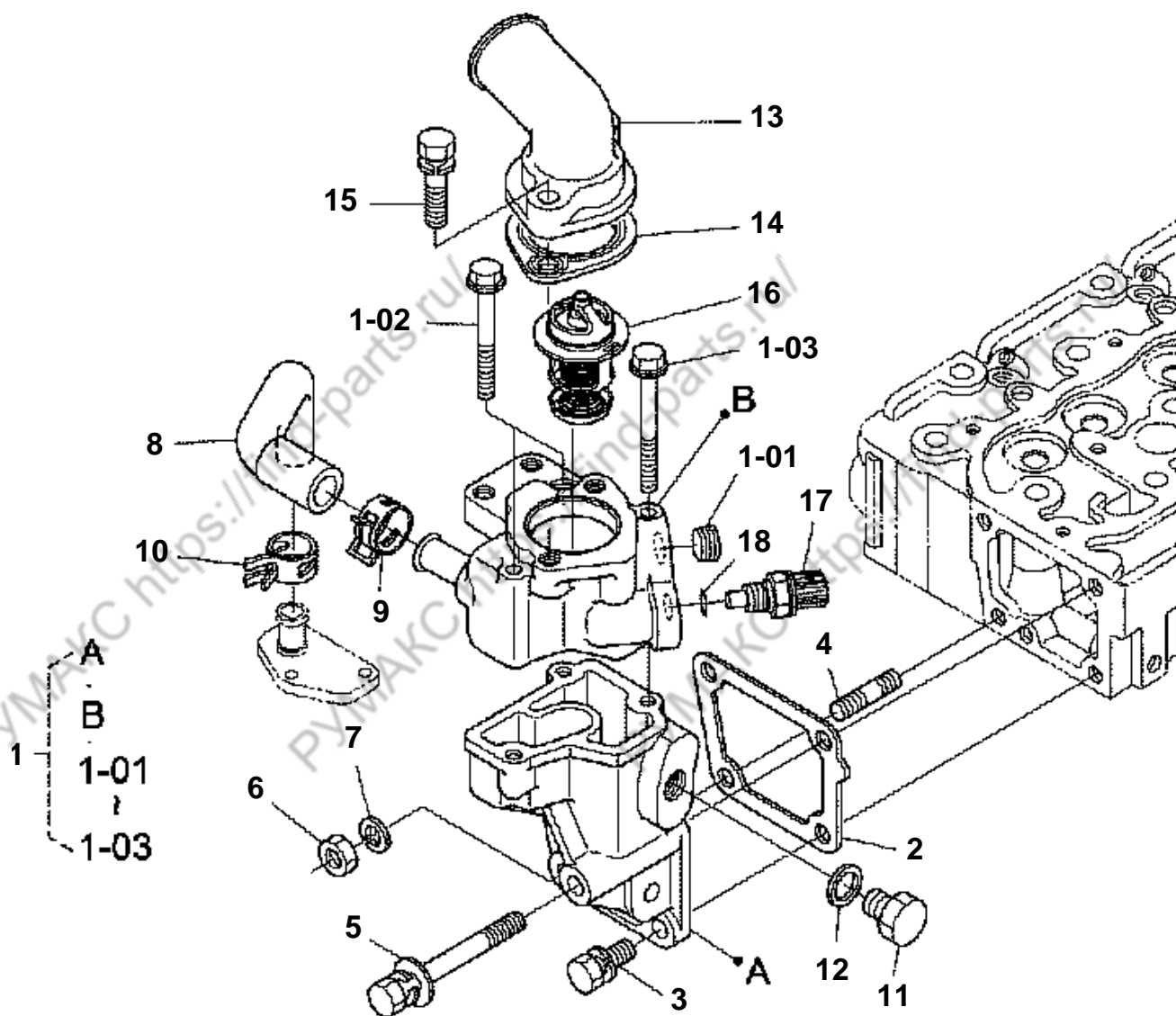


D15/18S5 D20SC-5

FIG.3-260-0

A663889 Oil Switch And Plug

NOTE	ITEM NO.	PART NUMBER	QTY	DESCRIPTION	CHANGE CODE	START SERIAL NO.					
						EM0UT	EM0UU	FDA01	FDA02	FDA03	-
	1	A663534	1	Plug							
	2	A663528	1	Washer, With Rubber							
	3	A383708	1	Switch, Oil							

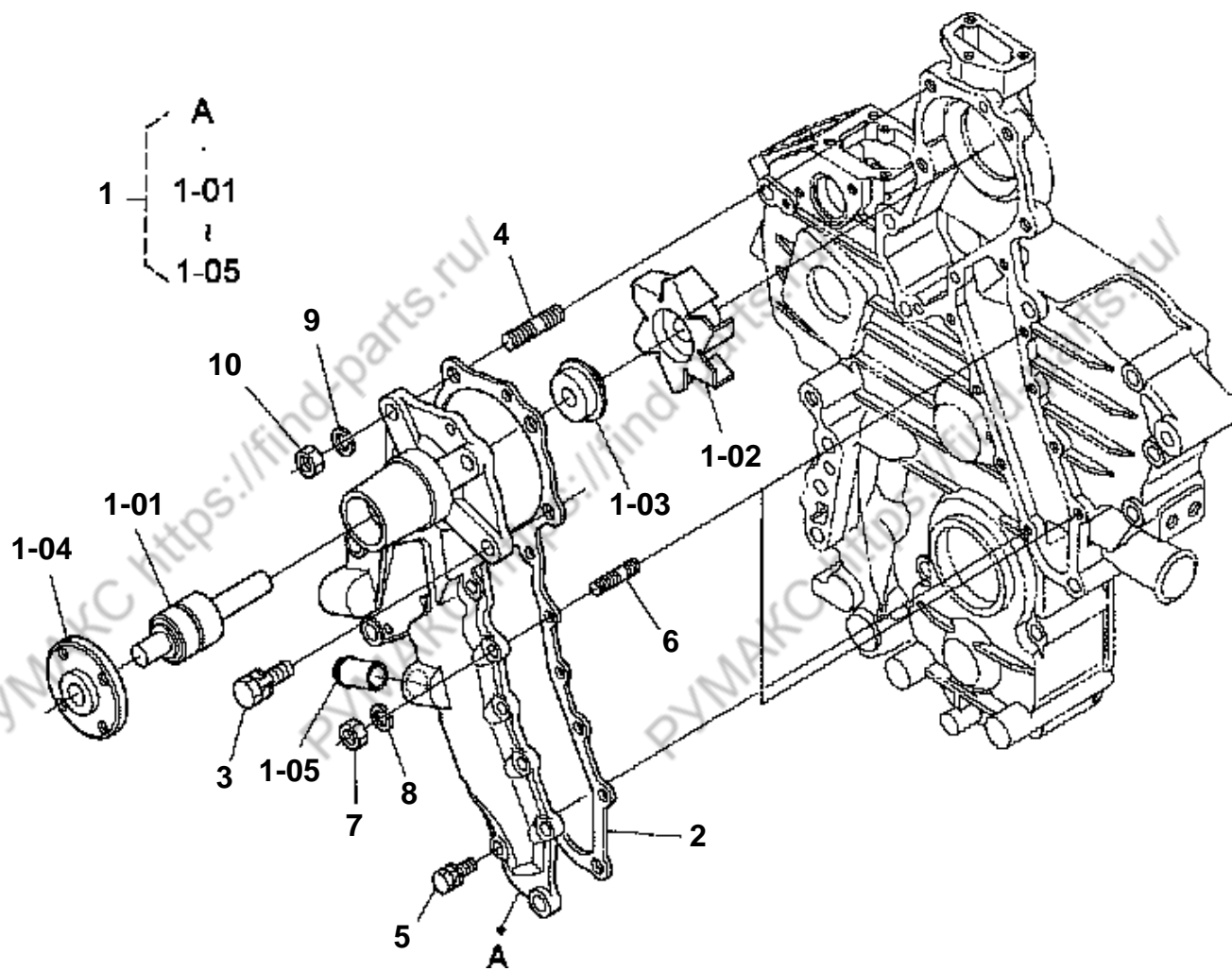


D15/18S5 D20SC-5

FIG.3-270-0

300738-00012 Water Flange And Thermostat

NOTE	ITEM NO.	PART NUMBER	QTY	DESCRIPTION	CHANGE CODE	START SERIAL NO.					
						EM0UT	EM0UU	FDA01	FDA02	FDA03	-
	1	110980-00026	1	Comp.Flange, Water							
	1-01	A663740	1	Plug							
	1-02	A383593	2	Bolt, Flange							
	1-03	A383594	1	Bolt, Flange							
	2	A383778	1	Gasket, Water Flange							
	3	A383579	2	Bolt							
	4	A383668	1	Stud							
	5	A383782	1	Bolt							
	6	A383603	1	Nut							
	7	A383612	1	Washer, Spring							
	8	A383781	1	Pipe, Water Return							
	9	A383760	1	Clamp, Hose							
	10	A383640	1	Clamp, Hose							
	11	A383648	1	Plug, Drain							
	12	A383649	1	Gasket							
	13	110980-00027	1	Cover, Thermostat							
	14	A383713	1	Gasket, Thermostat							
	15	A383583	2	Bolt							
	16	A383779	1	Thermostat As							
	17	A383721	1	Sensor, Thermo							
	18	A383620	1	O-Ring							

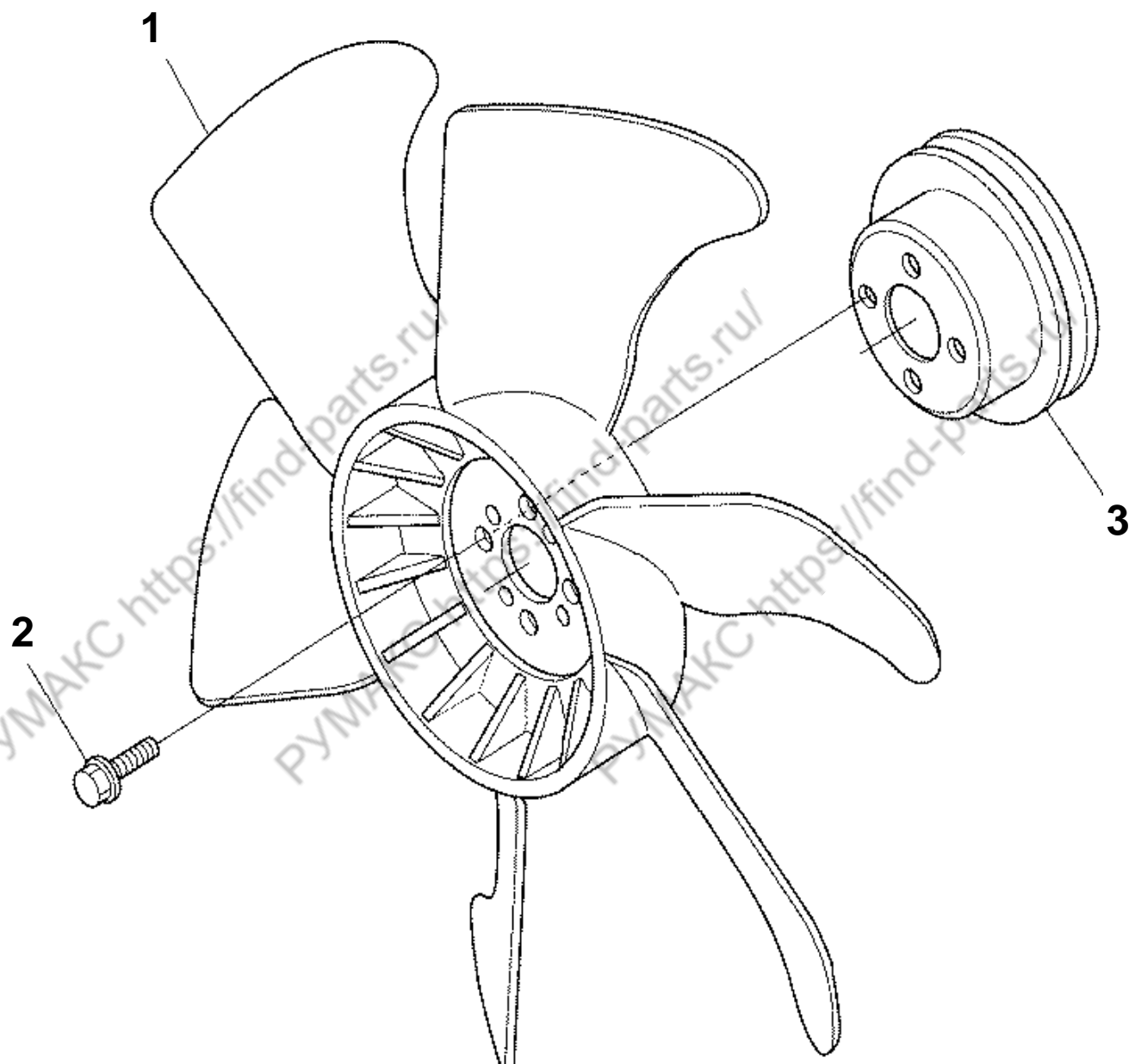


D15/18S5 D20SC-5

FIG.3-280-0

400921-00035 Water Pump

NOTE	ITEM NO.	PART NUMBER	QTY	DESCRIPTION	CHANGE CODE	START SERIAL NO.					
						EMOUT	EMOUU	FDA01	FDA02	FDA03	-
	1	400921-00034	1	Water Pump Ass. ½y							
	1-01	A663611	1	Bearing							
	1-02	A663736	1	Impeller,Water Pump							
	1-03	401105-00003	1	As Seal,Mechanical							
	1-04	A663737	1	Flange,W/Pump Shaft							
	1-05	400811-00007	1	Joint,Breather							
	2	400602-00112	1	Gasket,Water Pump							
	3	A383582	3	Bolt							
	4	A383591	1	Stud							
	5	A383568	8	Bolt							
	6	A383667	1	Stud							
	7	A383602	1	Nut							
	8	A383611	1	Washer,Spring							
	9	A383612	1	Washer,Spring							
	10	A383603	1	Nut							

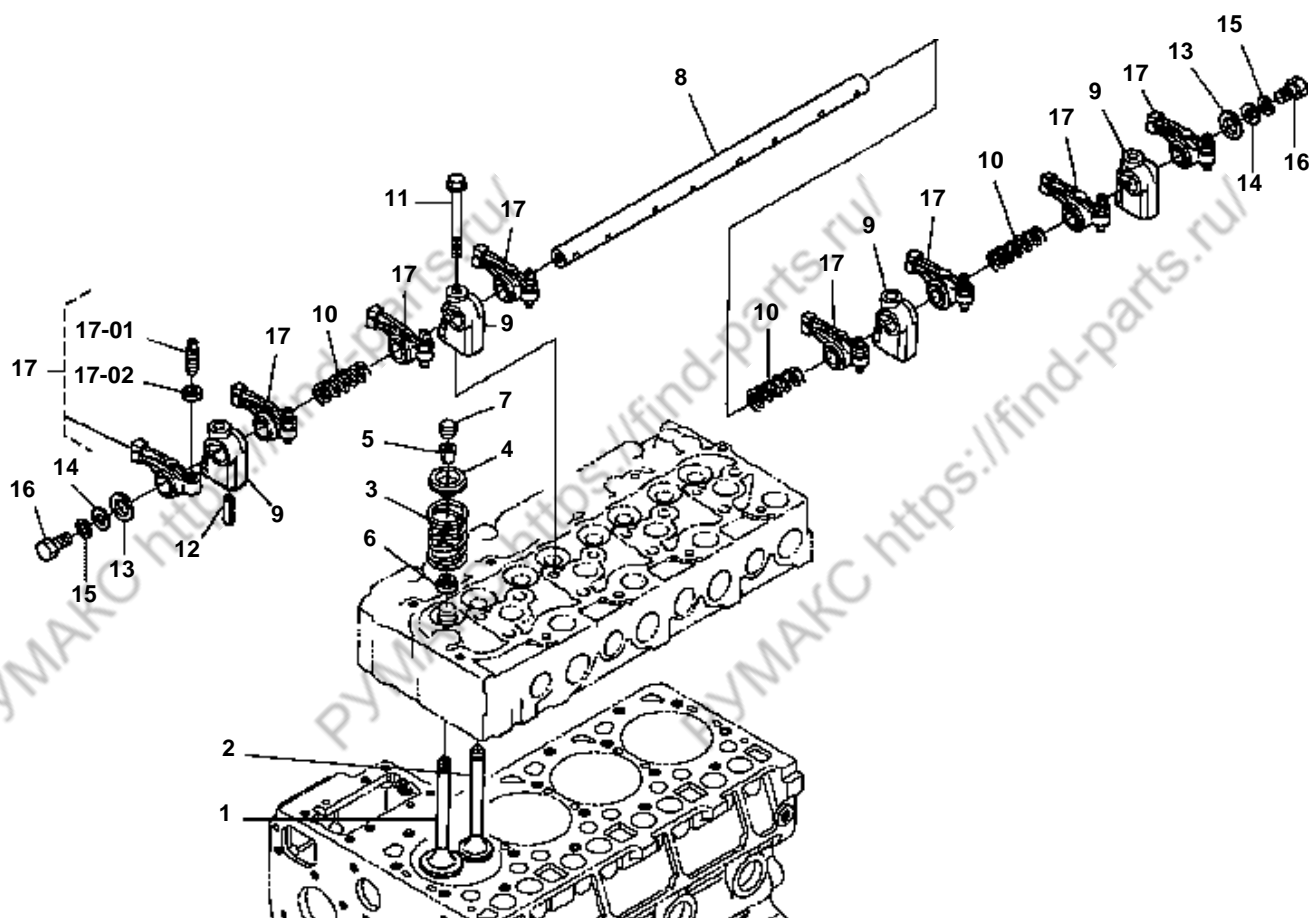


D15/18S5 D20SC-5

FIG.3-290-0

210101-00065 Cooler Fan

NOTE	ITEM NO.	PART NUMBER	QTY	DESCRIPTION	CHANGE CODE	START SERIAL NO.					
						EM0UT	EM0UU	FDA01	FDA02	FDA03	-
	1	A383726	1	Fan							
	2	120106-00219	4	Bolt, Flange							
	3	A383737	1	Pulley, Fan							

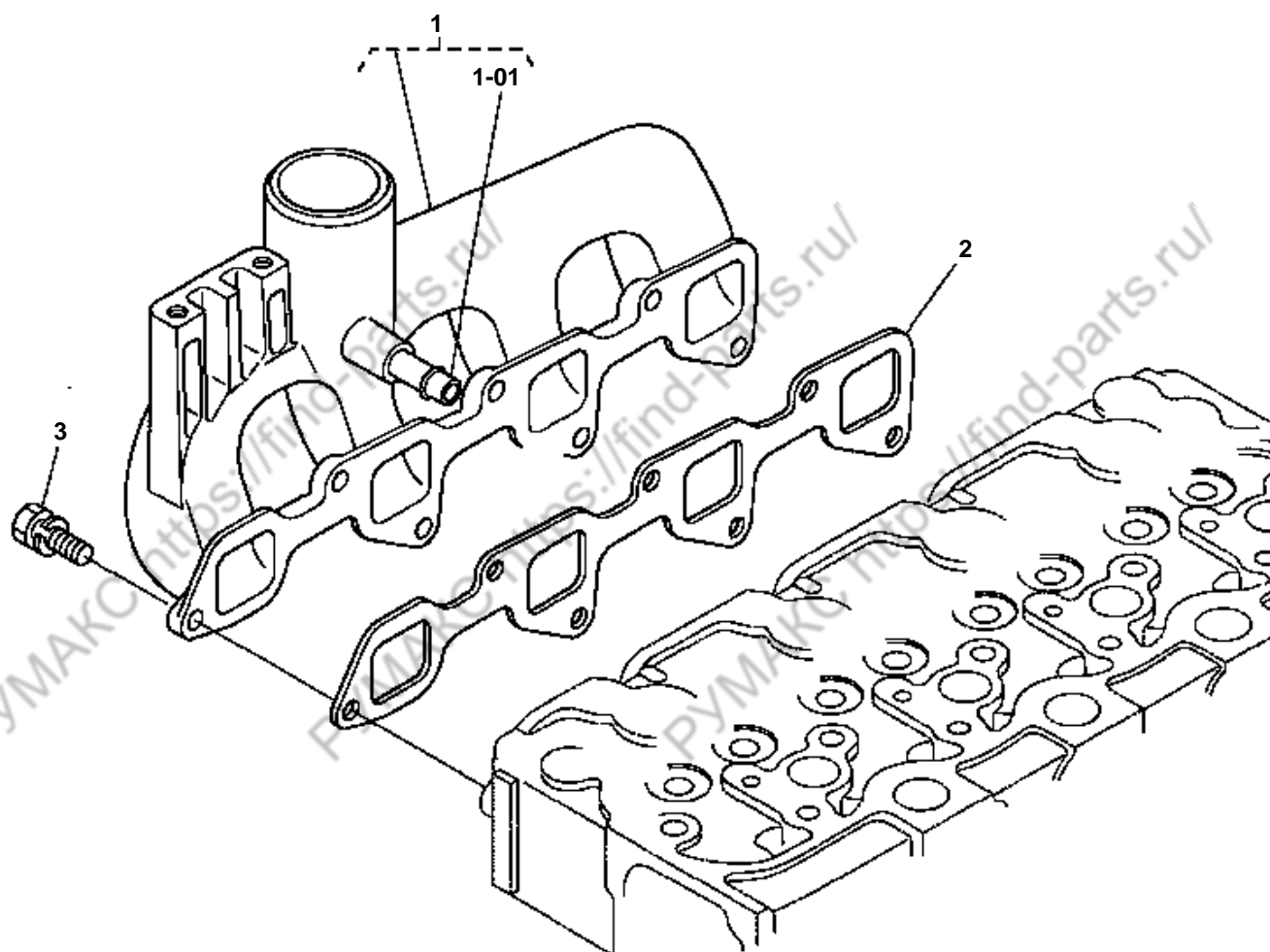


D15/18S5 D20SC-5

FIG.3-300-0

A663893 Valve And Rocker Arm

NOTE	ITEM NO.	PART NUMBER	QTY	DESCRIPTION	CHANGE CODE	START SERIAL NO.					
						EM0UT	EM0UU	FDA01	FDA02	FDA03	-
	1	A383865	4	Valve, Inlet							
	2	A383866	4	Valve, Exhaust							
	3	A383656	8	Spring, Valve							
	4	A383658	8	Retainer, Valve Sp.							
	5	A383659	8	Collet, Valve Spring-SET							
	6	A383655	8	Seal, Valve Stem							
	7	A383657	8	Cap, Valve							
	8	A383800	1	Shaft, Rocker Arm							
	9	A383661	4	Bracket, Rocker Arm							
	10	A383660	3	Spring, Rocker Arm							
	11	A383598	4	Bolt, Flange							
	12	A383632	1	Pin, Spring							
	13	A383662	2	Washer, R-Arm.Shaft							
	14	A383610	2	Washer, Plain							
	15	A383612	2	Washer, Spring							
	16	A383588	2	Bolt							
	17	A383705	8	Rocker Arm As							
	17-01	A663607	8	Screw, Adjusting							
	17-02	A663549	8	Nut							

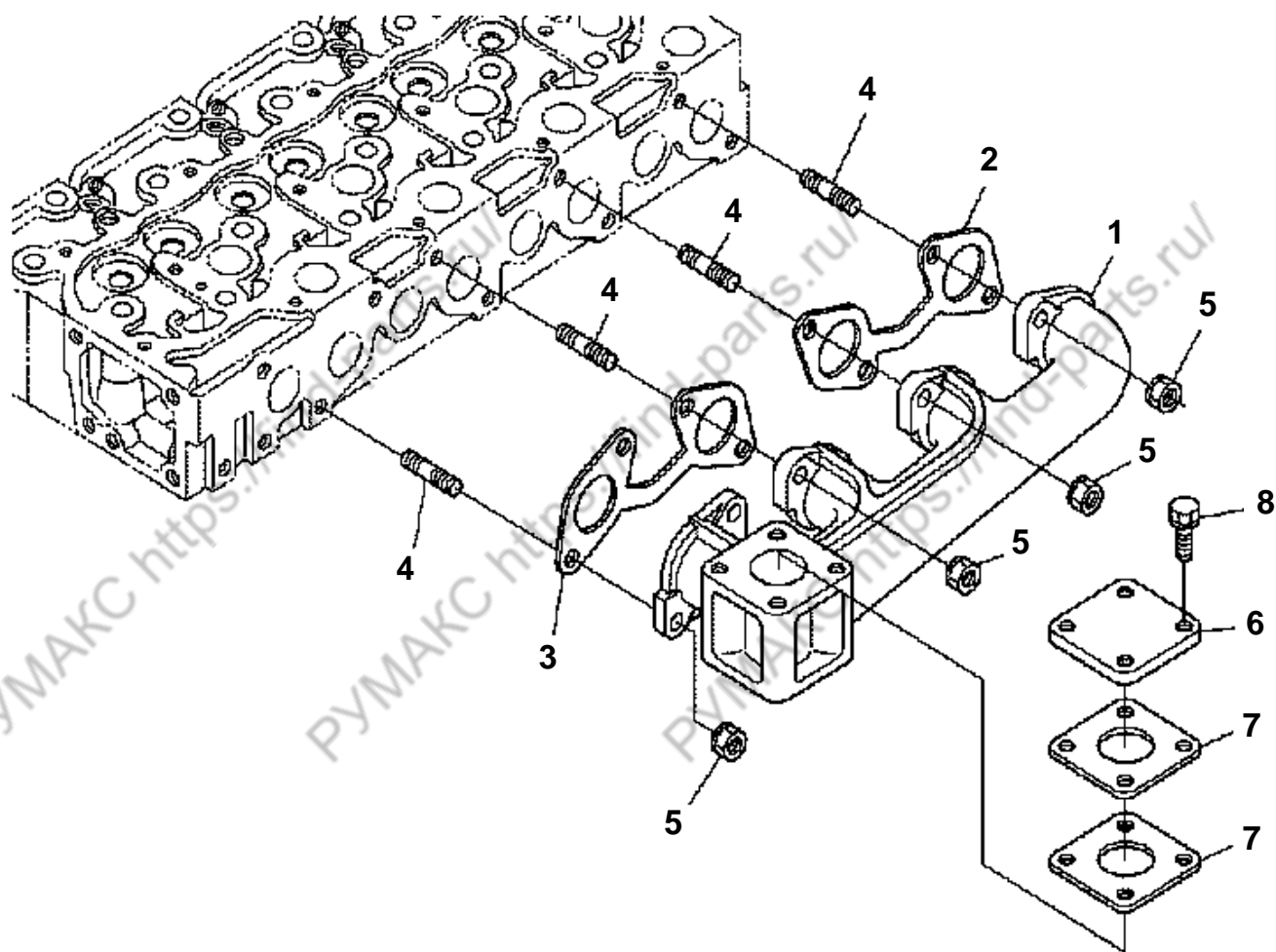


D15/18S5 D20SC-5

FIG.3-310-0

A663894 Inlet Manifold

NOTE	ITEM NO.	PART NUMBER	QTY	DESCRIPTION	CHANGE CODE	START SERIAL NO.					
						EM0UT	EM0UU	FDA01	FDA02	FDA03	-
	1	A383855	1	Inlet Manifold Ass. y							
	1-01	A663690	1	Pipe, Water Return							
	2	A383796	1	Gasket, In-Manifold							
	3	A383580	7	Bolt							

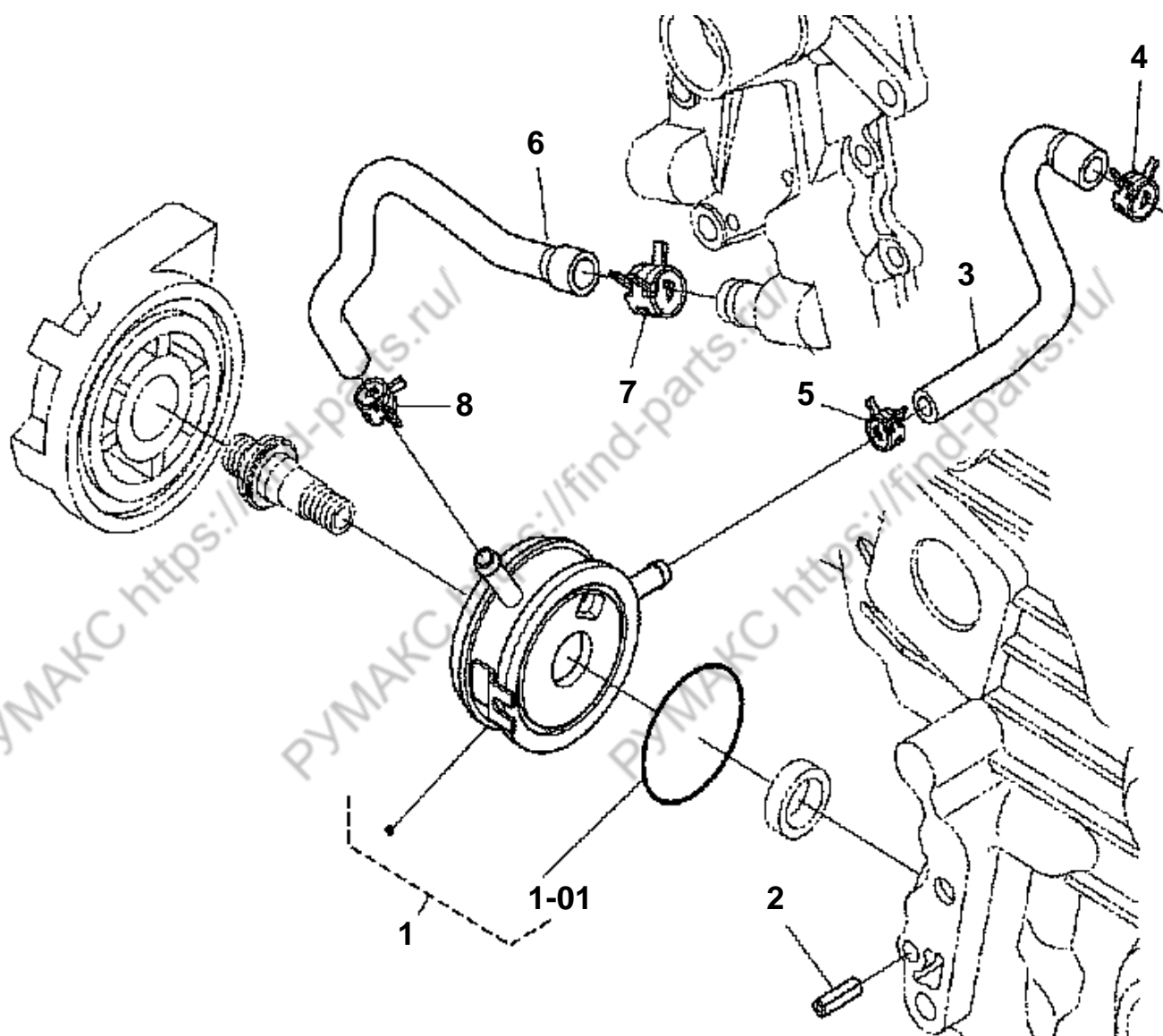


D15/18S5 D20SC-5

FIG.3-320-0

240102-00040 Exhaust Manifold

NOTE	ITEM NO.	PART NUMBER	QTY	DESCRIPTION	CHANGE CODE	START SERIAL NO.					
						EM0UT	EM0UU	FDA01	FDA02	FDA03	-
	1	240102-00039	1	Manifold, Exhaust							
	2	A383798	1	Gasket, Ex-Manifold							
	3	A383797	1	Gasket, Ex-Manifold							
	4	A383668	8	Stud							
	5	A383722	8	Nut							
	6	110523-00001	1	Cover,Manifold							
	7	400612-00015	2	Gasket, Muffler							
	8	A383580	4	Bolt							



D15/18S5 D20SC-5

FIG.3-330-0

400206-00031 Oil Cooler

NOTE	ITEM NO.	PART NUMBER	QTY	DESCRIPTION	CHANGE CODE	START SERIAL NO.					
						EMOUT	EMOUU	FDA01	FDA02	FDA03	-
	1	A383837	1	Oil Cooler Ass. њy							
	1-01	A383884	1	O-Ring							
	2	A663532	1	Pin, Spring							
	3	A383784	1	Hose, Oil Cooler							
	4	A383640	1	Clamp, Hose							
	5	A383714	1	Band, Pipe							
	6	420107-00083	1	Hose, Oil Cooler							
	7	120202-00040	1	Clamp ,Hose							
	8	A383714	2	Band, Pipe							

<https://find-parts.ru/>
<https://find-parts.ru/>
<https://find-parts.ru/>

РУМАКУ <https://find-parts.ru/>

РУМАКУ <https://find-parts.ru/>

РУМАКУ <https://find-parts.ru/>

РУМАКУ <https://find-parts.ru/>

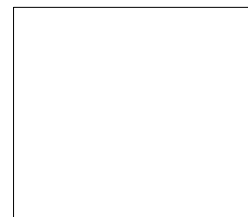
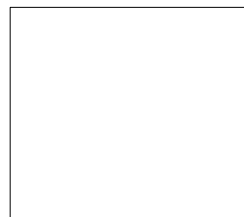
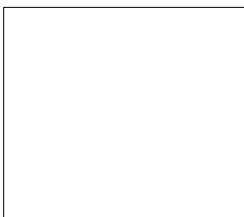
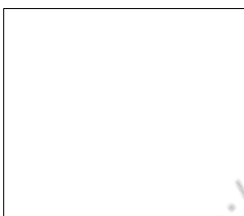
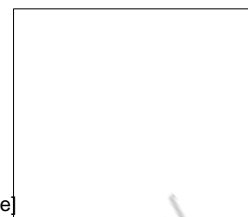
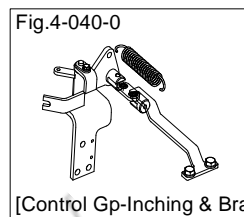
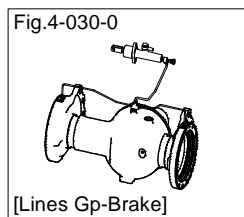
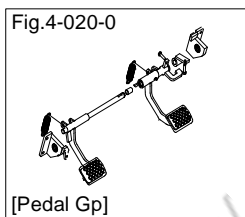
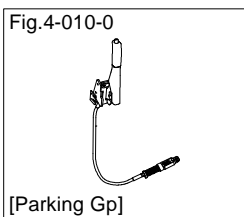
РУМАКУ <https://find-parts.ru/>

РУМАКУ <https://find-parts.ru/>

<https://find-parts.ru/>

<https://find-parts.ru/>

<https://find-parts.ru/>



РУМАКУ <https://find-parts.ru/>

РУМАКУ <https://find-parts.ru/>

РУМАКУ <https://find-parts.ru/>

РУМАКУ <https://find-parts.ru/>

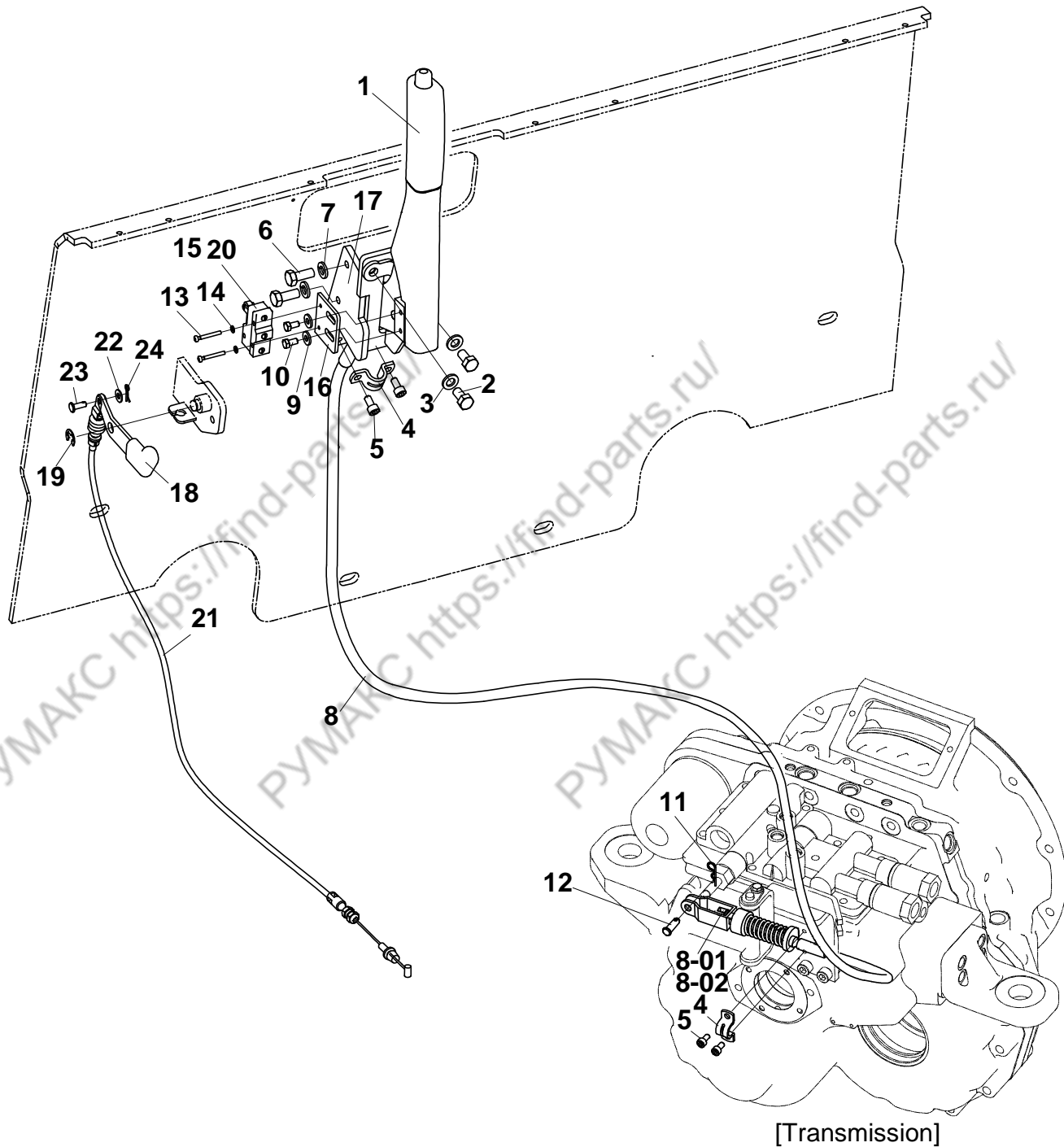
РУМАКУ <https://find-parts.ru/>

РУМАКУ <https://find-parts.ru/>

<https://find-parts.ru/>

<https://find-parts.ru/>

<https://find-parts.ru/>

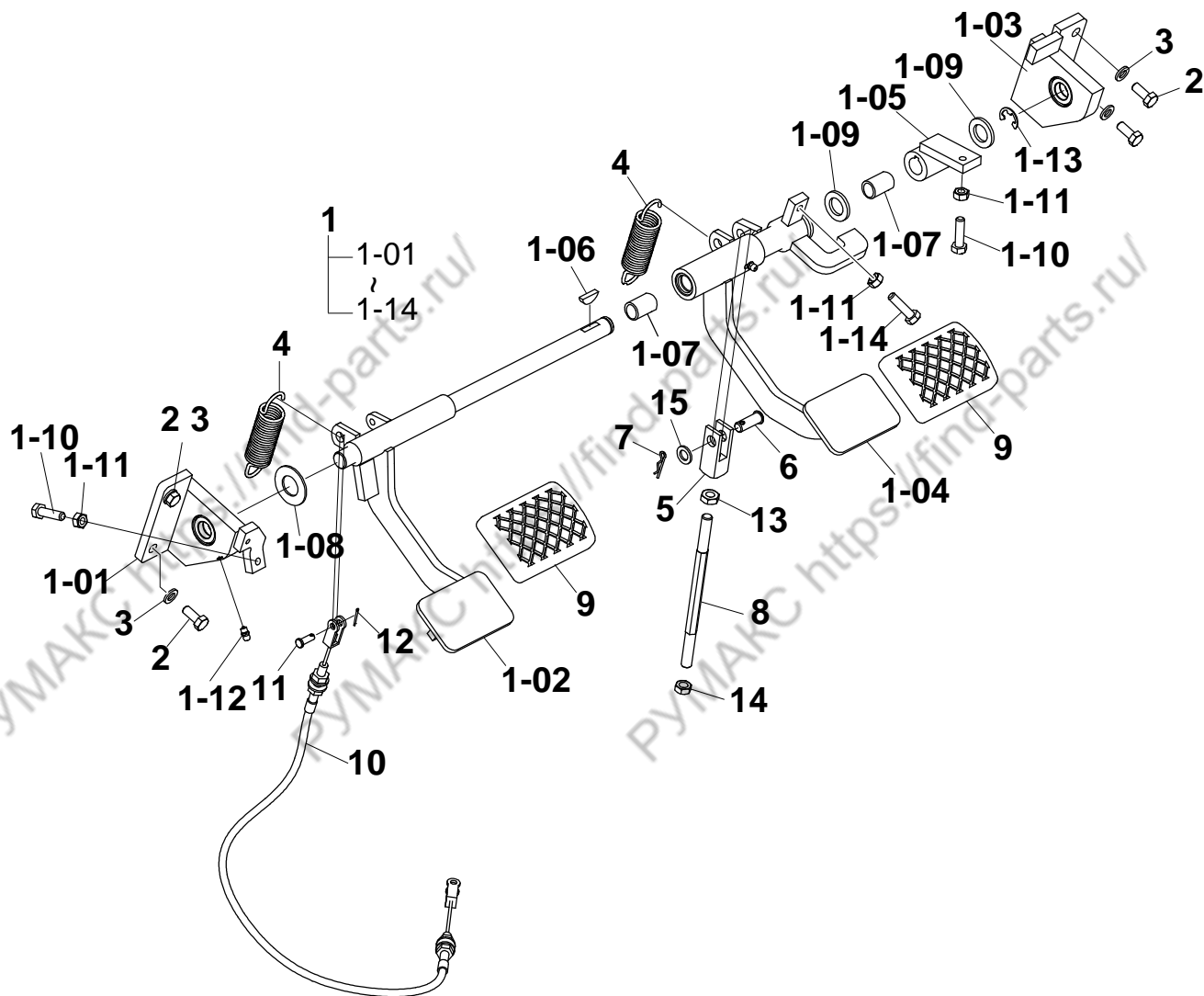


D15/18S5 D20SC-5

FIG.4-010-0

A402426 Parking Gp - F.C.U

NOTE	ITEM NO.	PART NUMBER	QTY	DESCRIPTION	CHANGE CODE	START SERIAL NO.					
						EM0UT	EM0UU	FDA01	FDA02	FDA03	-
	1	A401200	1	Lever As-Parking							
	2	S0508663	2	Bolt							
	3	D917092	2	Washer							
	4	D700171	1	Clamp							
	5	S2204461	2	Bolt							
	6	S0508863	2	Bolt							
	7	S5102503	2	Washer							
	8	A381600	1	Cable Ass. ʘy							
	8-01	A402953	1	Block							
	8-02	A331906	1	Spring							
	9	D917194	2	Washer							
	10	D915035	2	Screw							
	11	D700173	1	Pin							
	12	D600736	1	Pin							
	13	D915036	2	Screw							
	14	D917072	2	Washer							
	15	D700116	1	Switch							
	16	D700174	1	Plate							
	17	A401431	1	Bracket Ass. ʘy							
	18	A211213	1	Lever-Latch							
	19	S6540800	1	Ring-Snap							
	20	A234144	1	Harness Ass. ʘy-Parking SW							
	21	A401934	1	Cable As-Latch							
	22	S5000213	1	Washer							
	23	S5760061	1	Pin							
	24	S180130H	1	Pin-Snap							

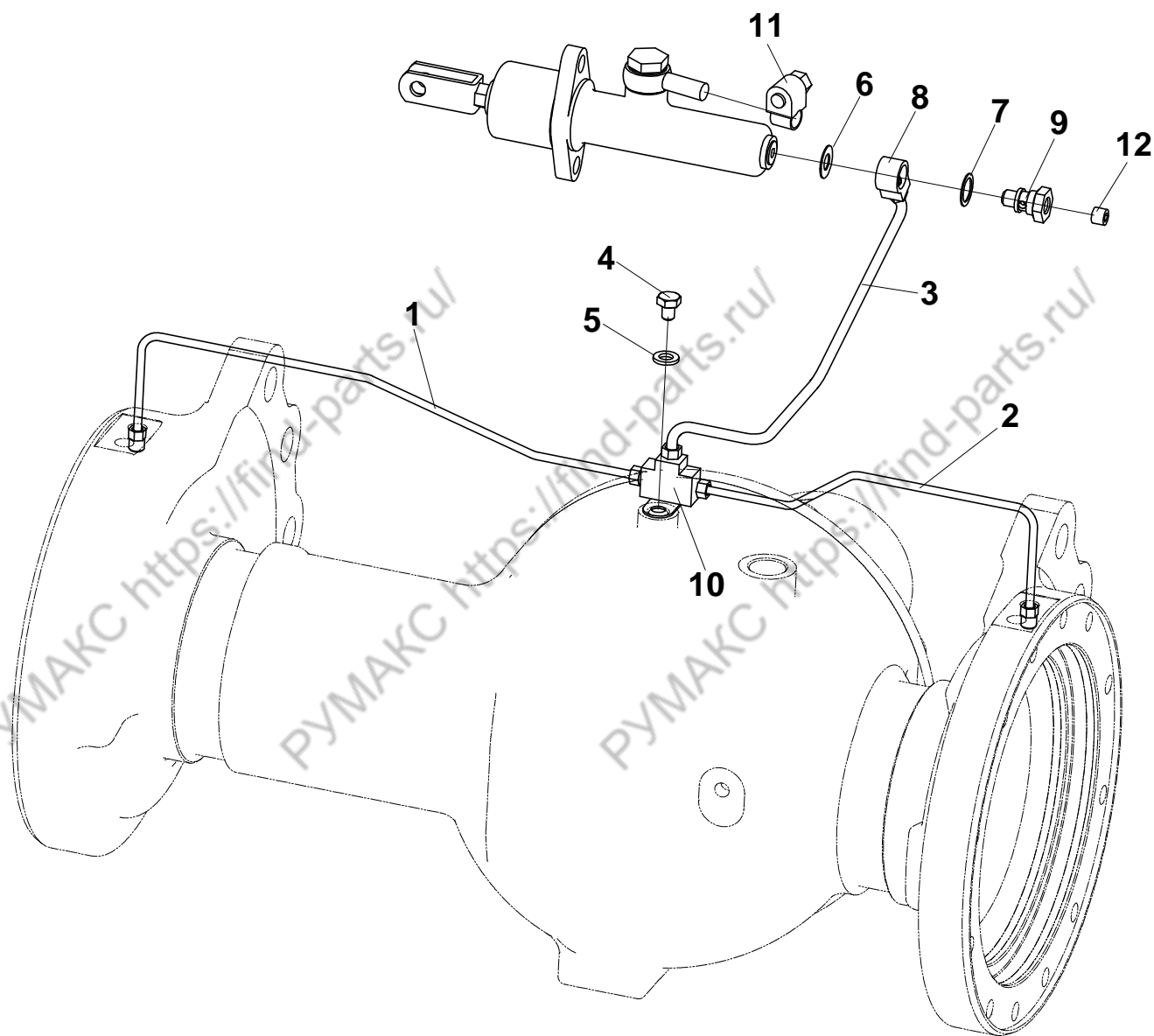


D15/18S5 D20SC-5

FIG.4-020-0

A402423 Pedal Gp - Inching & Brake - F.C.U

NOTE	ITEM NO.	PART NUMBER	QTY	DESCRIPTION	CHANGE CODE	START SERIAL NO.					
						EM0UT	EM0UU	FDA01	FDA02	FDA03	-
	1	A408721	1	Pedal As-Inching & Brake							
	1-01	A401807	1	Support As-LH							
	1-02	A402096	1	Pedal As-Inching							
	1-03	A401792	1	Support As-RH							
	1-04	A402593	1	Pedal As-Brake							
	1-05	A401798	1	Collar As							
	1-06	D700438	1	Key-Woodruff							
	1-07	A401299	2	Bushing							
	1-08	D917025	1	Washer							
	1-09	S5010913	4	Washer							
	1-10	S0509263	2	Bolt							
	1-11	S4016543	3	Nut							
	1-12	S6710021	3	Fitting							
	1-13	S6541200	1	Ring-Snap							
	1-14	S0509563	1	Bolt							
	2	S0508863	4	Bolt							
	3	D917092	4	Washer							
	4	A408857	1	Spring							
	5	S101440H	1	Yoke							
	6	S5760301	1	Pin							
	7	S180438H	1	Pin-Snap							
	8	A401936	1	Rod							
	9	D700175	2	Pad-Pedal							
	10	A409616	1	Cable As-Inching							
	11	S5760121	1	Pin							
	12	S5735141	1	Pin-Cottor							
	13	S4034633	1	Nut							
	14	D913030	1	Nut							
	15	S5020613	1	Washer							

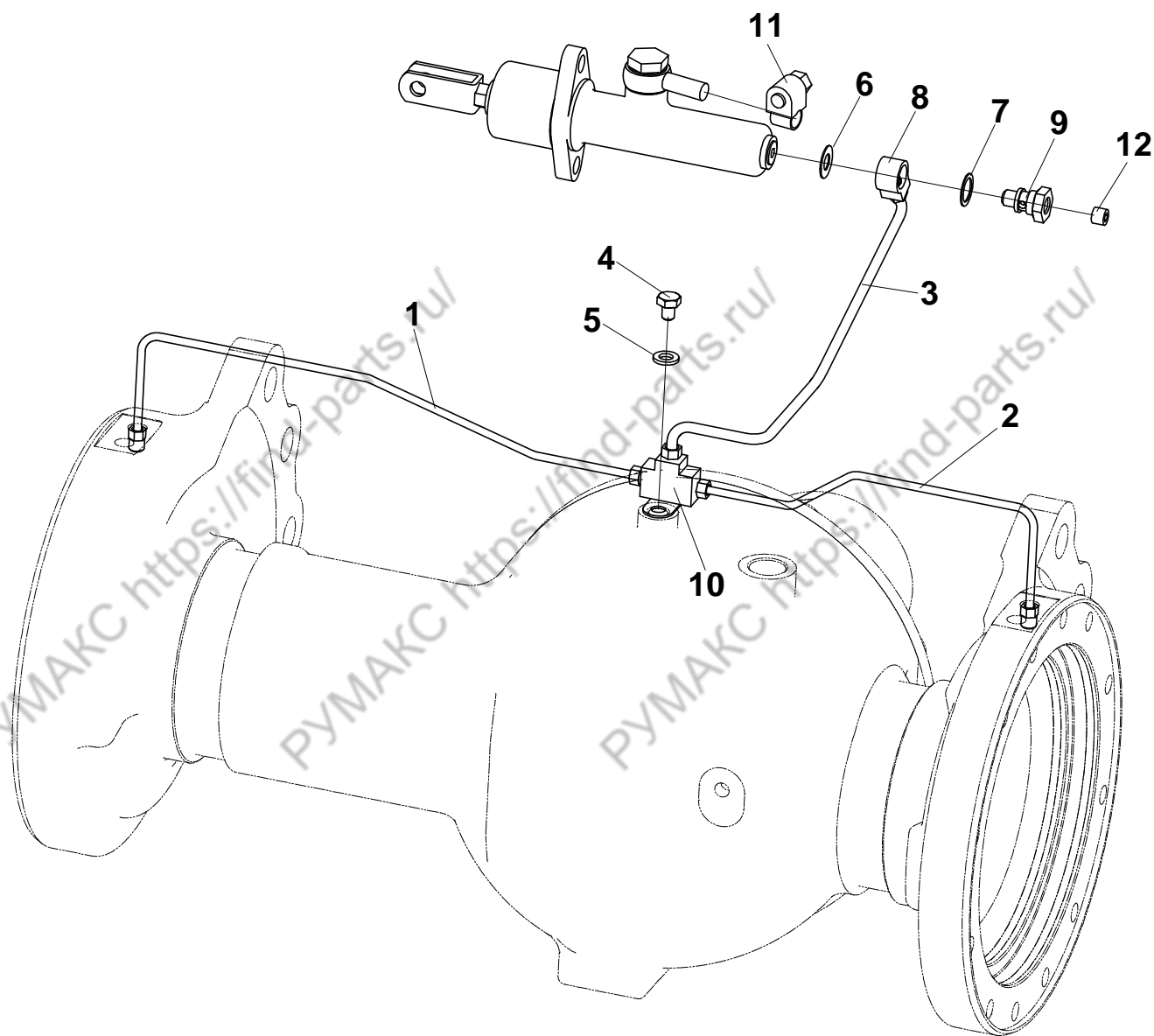


D15/18S5 D20SC-5

FIG.4-030-0

A381344 Lines Gp Brake - Shoe Type Brake

NOTE	ITEM NO.	PART NUMBER	QTY	DESCRIPTION	CHANGE CODE	START SERIAL NO.				
						EM0UT	EM0UU	FDA01	FDA02	FDA03
	1	A381574	1	Tube Ass. ʘy Brake-RH (Shoe Type)						
	2	A381573	1	Tube Ass. ʘy Brake-LH (Shoe Type)						
	3	A381345	1	Tube Ass. ʘy Brake (Shoe Type)						
	4	S0508463	1	Bolt						
	5	D917092	1	Washer						
	6	D600589	1	Gasket						
	7	D600590	1	Gasket						
	8	D600591	1	Connector						
	9	A271861	1	Bolt						
	10	D610081	1	Tee Ass. ʘy						
	11	S8450006	1	Clamp						
	12	D700214	1	Plug						

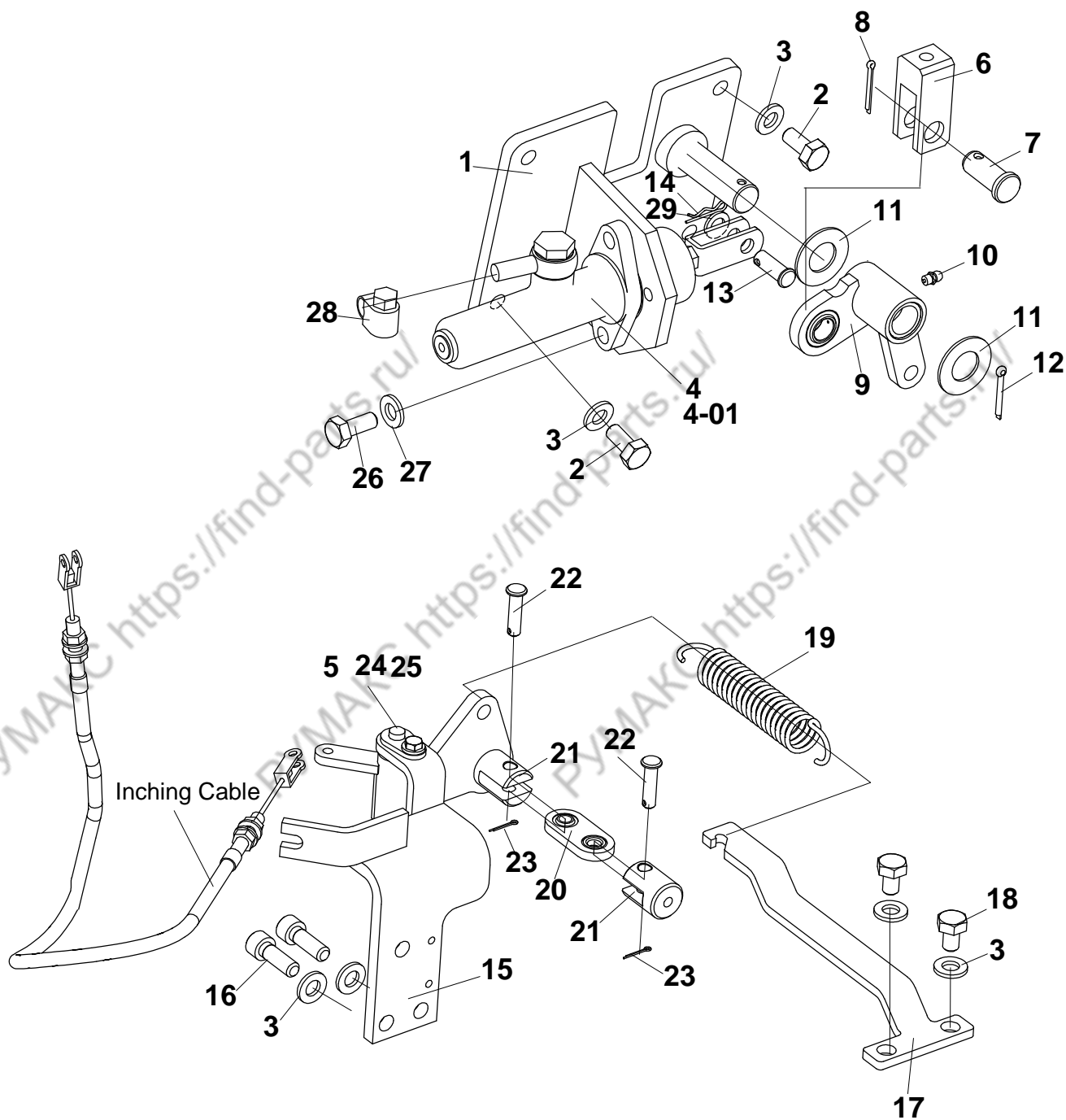


D15/18S5 D20SC-5

FIG.4-030-0

A381205 Lines Gp Brake - OCD Type Brake

NOTE	ITEM NO.	PART NUMBER	QTY	DESCRIPTION	CHANGE CODE	START SERIAL NO.				
						EM0UT	EM0UU	FDA01	FDA02	FDA03
	1	A381130	1	Tube Ass. ʘy Brake-RH (OCD Type)						
	2	A381131	1	Tube Ass. ʘy Brake-LH (OCD Type)						
	3	A381289	1	Tube Ass. ʘy Brake (OCD Type)						
	4	S0508463	1	Bolt						
	5	D917092	1	Washer						
	6	D600589	1	Gasket						
	7	D600590	1	Gasket						
	8	D600591	1	Connector						
	9	A271861	1	Bolt						
	10	D610081	1	Tee Ass. ʘy						
	11	S8450006	1	Clamp						
	12	D700214	1	Plug						

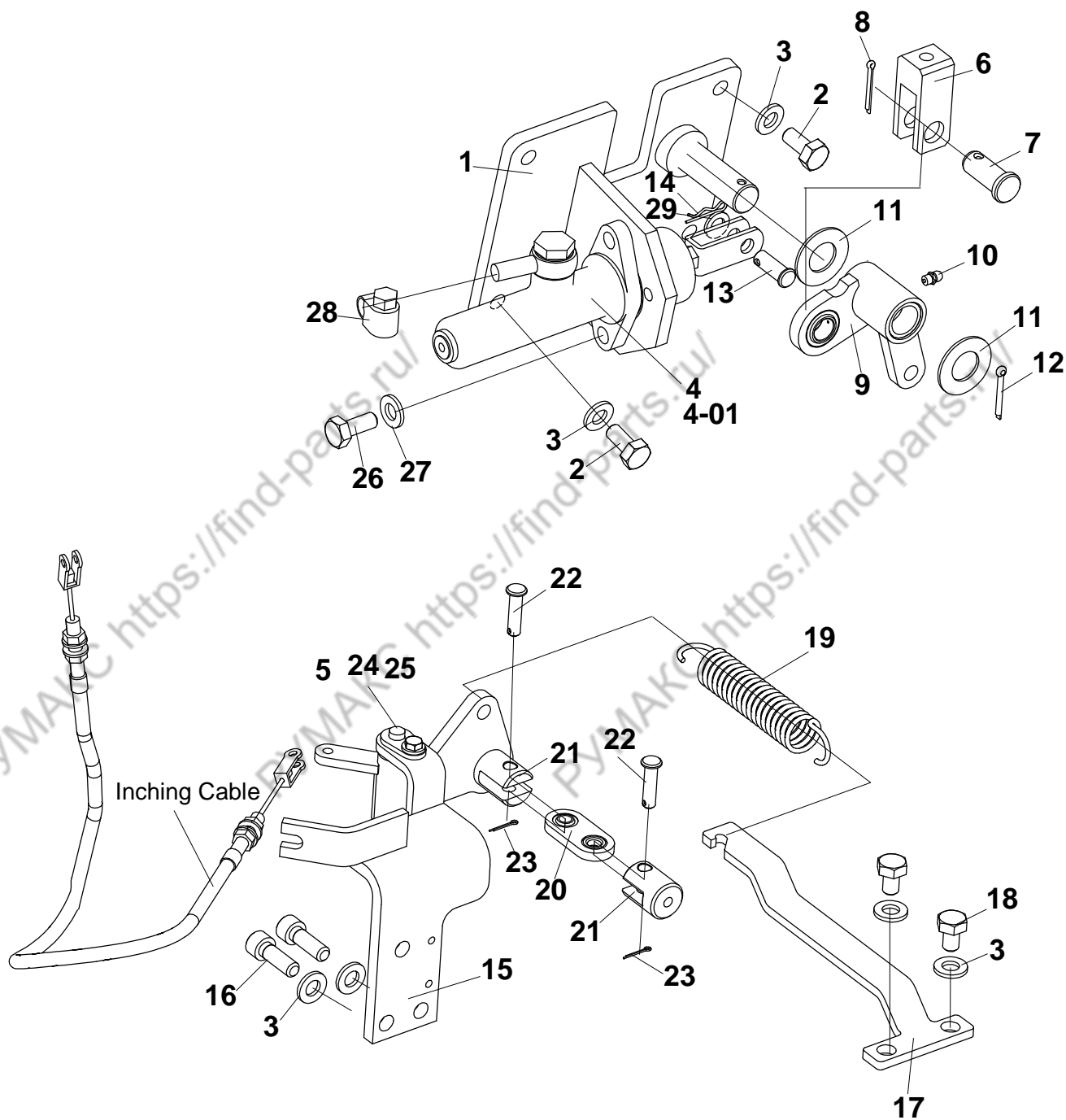


D15/18S5 D20SC-5

FIG.4-040-0

A381343 Control Gp Inching & Brake - Shoe Type Brake

NOTE	ITEM NO.	PART NUMBER	QTY	DESCRIPTION	CHANGE CODE	START SERIAL NO.					
						EM0UT	EM0UU	FDA01	FDA02	FDA03	-
	1	A381346	1	Plate As-Inching & Brake							
	2	S0511963	4	Bolt							
	3	D917093	9	Washer							
	4	D600301	1	Master Cyl (Shoe Type)							
	4-01	D600976	1	Service Kit (Shoe Type)							
	5	S5735141	1	Pin-Cotter							
	6	A401938	1	Yoke							
	7	D701088	1	Pin							
	8	S5735491	1	Pin-Cotter							
	9	A401569	1	Bell Crank Ass. y							
	10	S6710021	1	Fitting							
	11	D917025	2	Washer							
	12	S5735581	1	Pin-Cotter							
	13	S5760301	1	Pin							
	14	S180438H	1	Pin-Snap							
	15	A409611	1	Bracket Ass. y							
	16	S2212263	3	Bolt-Socket							
	17	A402958	1	Plate							
	18	S0511663	2	Bolt							
	19	A152120	1	Spring							
	20	A211951	1	Link Ass. y							
	21	A211924	1	Clevis							
	22	D919037	2	Pin							
	23	S180333H	2	Pin							
	24	S5760121	1	Pin							
	25	S5010313	1	Washer							
	26	S0509063	2	Bolt							
	27	D917092	2	Washer							
	28	S8450006	1	Clamp							
	29	S5020613	1	Washer							

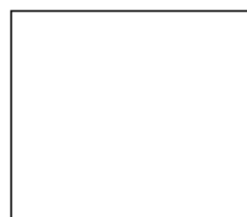
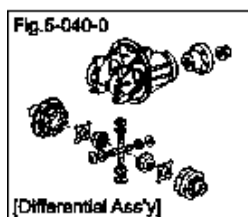
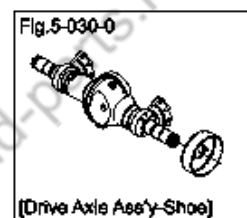
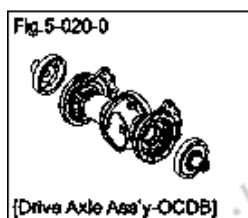
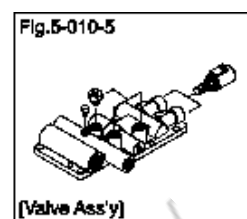
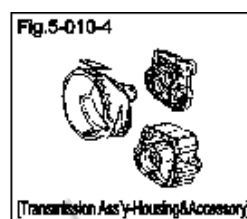
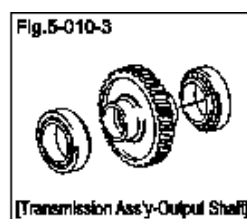
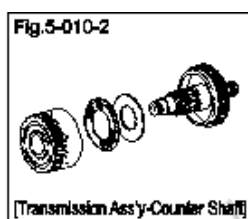
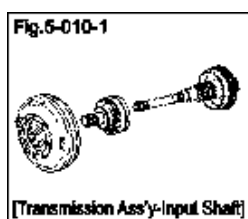


D15/18S5 D20SC-5

FIG.4-040-0

A381215 Control Gp Inching & Brake - OCD Type Brake

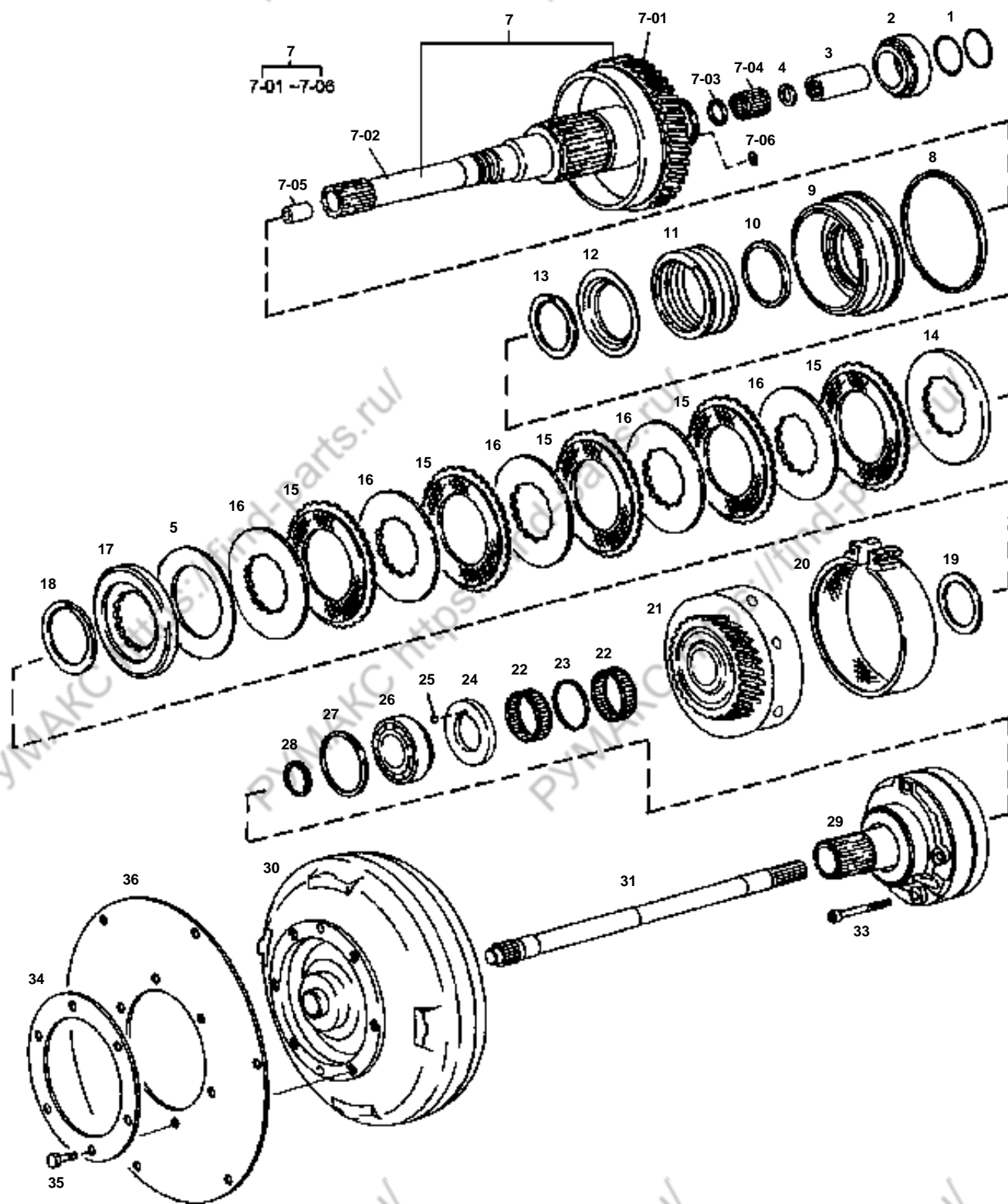
NOTE	ITEM NO.	PART NUMBER	QTY	DESCRIPTION	CHANGE CODE	START SERIAL NO.					
						EM0UT	EM0UU	FDA01	FDA02	FDA03	-
	1	A381346	1	Plate As-Inching & Brake							
	2	S0511963	4	Bolt							
	3	D917093	9	Washer							
	4	A501502	1	Master Cyl (OCD Type)							
	4-01	A271817	1	Service Kit (OCD Type)							
	5	S5735141	1	Pin-Cotter							
	6	A401938	1	Yoke							
	7	D701088	1	Pin							
	8	S5735491	1	Pin-Cotter							
	9	A401569	1	Bell Crank Ass. ѳy							
	10	S6710021	1	Fitting							
	11	D917025	2	Washer							
	12	S5735581	1	Pin-Cotter							
	13	S5760301	1	Pin							
	14	S180438H	1	Pin-Snap							
	15	A409611	1	Bracket Ass. ѳy							
	16	S2212263	3	Bolt-Socket							
	17	A402958	1	Plate							
	18	S0511663	2	Bolt							
	19	A152120	1	Spring							
	20	A211951	1	Link Ass. ѳy							
	21	A211924	1	Clevis							
	22	D919037	2	Pin							
	23	S180333H	2	Pin							
	24	S5760121	1	Pin							
	25	S5010313	1	Washer							
	26	S0509063	2	Bolt							
	27	D917092	2	Washer							
	28	S8450006	1	Clamp							
	29	S5020613	1	Washer							



D15/18S5 D20SC-5

5) "POWER TRAIN"

GROUP Number	GROUP Name
A383019	Transmission Ass. 7y - Input Shaft Part 1 of 4
A3830191	Transmission Ass. 7y - Counter Shaft Part 2 of 4
A3830192	Transmission Ass. 7y - Output Shaft Part 3 of 4
A3830193	Transmission Ass. 7y - Housing & Accessory Part 4 of 4
A403214	Valve Ass. 7y
A383301	Drive Axle Ass. 7y - OCD Type Brake
A383302	Drive Axle Ass. 7y - Shoe Type Brake
A273361	Brake Ass. 7y - RH
A273362	Brake Ass. 7y - LH
A383303	Differential Ass. 7y

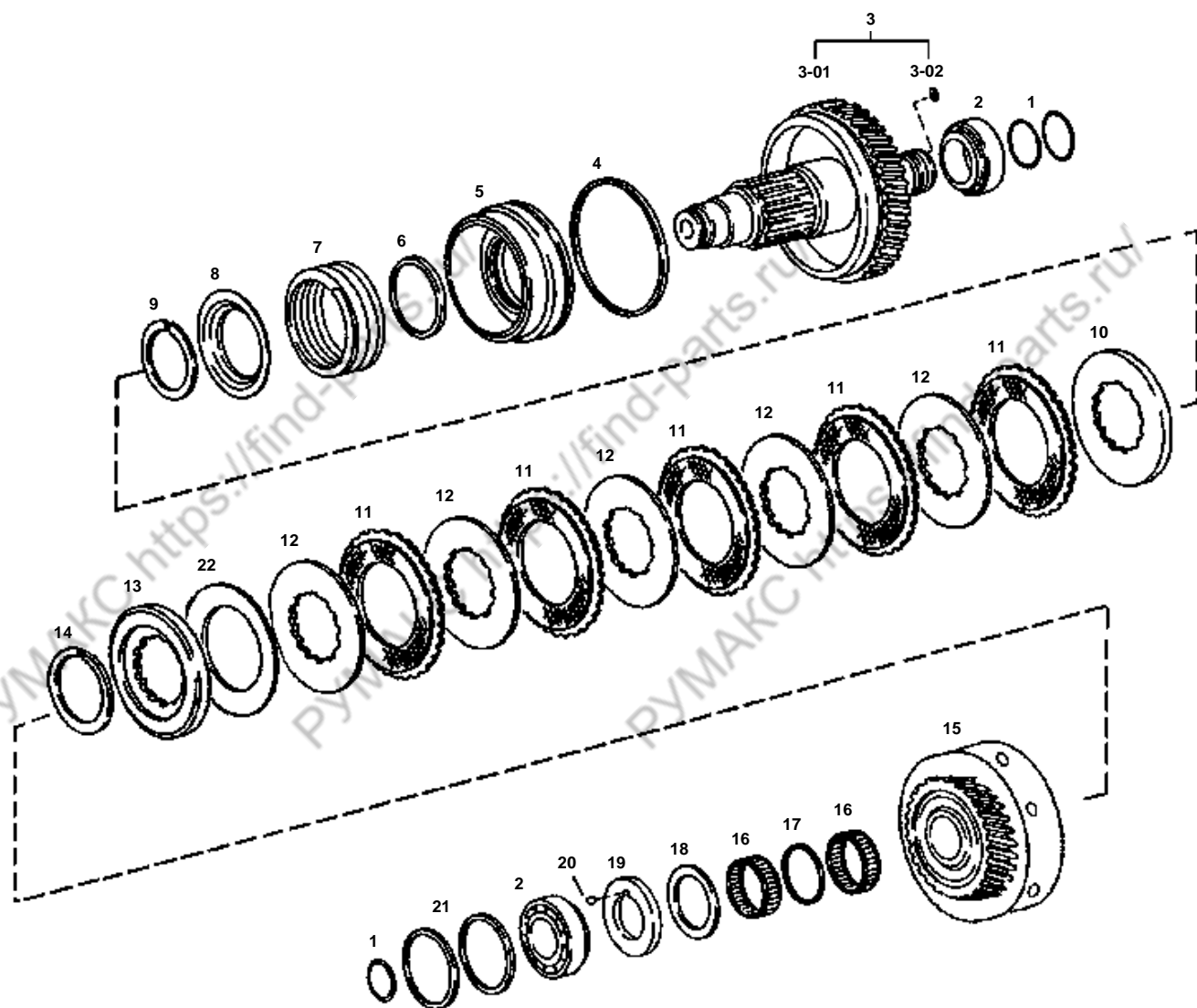


D15/18S5 D20SC-5

FIG.5-010-1

A383019 Transmission Ass. 7y - Input Shaft Part 1 of 4

NOTE	ITEM NO.	PART NUMBER	QTY	DESCRIPTION	CHANGE CODE	START SERIAL NO.				
						EMOUT	EM0UU	FDA01	FDA02	FDA03
	1	A213090	2	Ring						
	2	A213066	1	Bearing-Taper Roller						
	3	A213099	1	Coupling						
	4	S6510160	1	Ring-Snap						
	5	A403199	1	Plate-Bend						
	7	A403192	1	Input Gear Unit						
	7-01	A403193	1	Input Gear						
	7-02	A403194	1	Input Shaft						
	7-03	A213026	1	Ring						
	7-04	A213067	1	Bearing						
	7-05	A213098	1	Bush						
	7-06	A218904	1	Avseal						
	8	A403195	1	Ring-Quad Outer						
	9	A403196	1	Piston						
	10	A403197	1	Ring-Quad Inner						
	11	A403198	1	Spring-Return						
	12	A213078	1	Retainer-Spring						
	13	S6520630	1	Ring-Snap						
	14	A213498	1	Disc-Pressure						
	15	A213071	5	Disc-Clutch(Outer)						
	16	A213070	5	Disc-Mating(Inner)						
	17	A213073	1	Disc-Support						
	18	A213493	1	Ring-Snap						
	19	A213120	1	Washer						
	20	A403500	1	Band-Brake						
	21	A383102	1	Gear-Wheel Forward						
	22	A213068	2	Bearing-Needle						
	23	A403201	1	Spacer						
	24	A213097	1	Washer						
	25	A213119	1	Ball						
	26	A213065	1	Bearing-Taper Roller						
B	27	A213190	1	Shim(0.5mm)						
B		A213191	1	Shim(0.15mm)						
B		A213192	1	Shim(0.10mm)						
B		A213027	1	Shim(0.12mm)						
	28	D700272	1	Piston Ring						
	29	A403154	1	T/M Oil Pump Unit						
		A213061	1	Seal-Oil						
	30	A403153	1	Convertor-Torque						
	31	A403220	1	Shaft-Quill						
	33	S0556361	4	Bolt-Cap Screw						
	34	D700271	1	Plate-Converter						
	35	D913110	6	Bolt						
	36	D161368	1	Plate-Flexible						

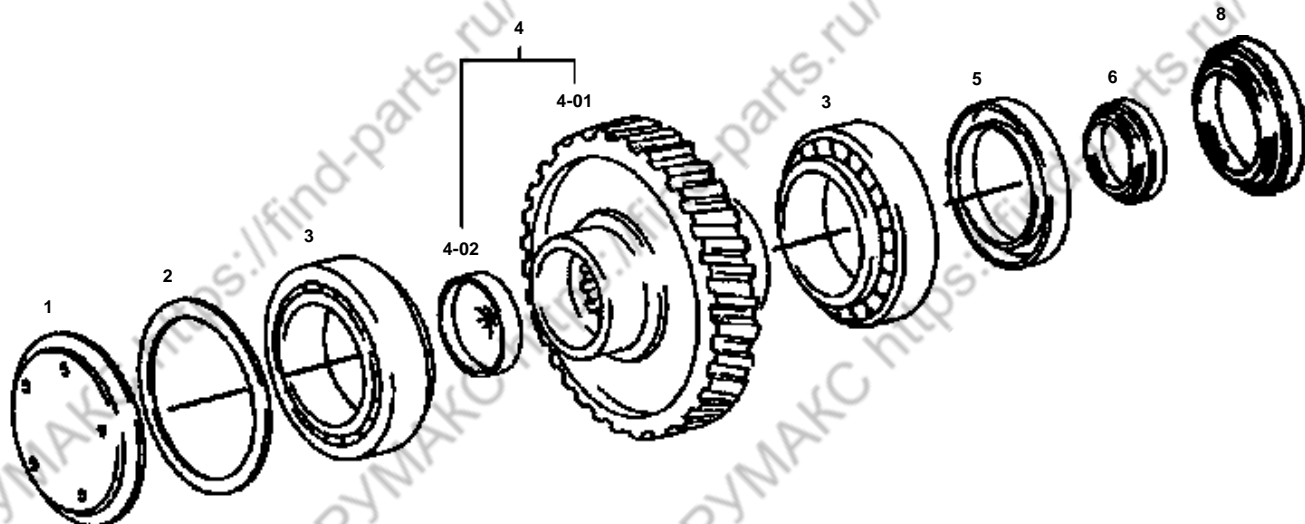


D15/18S5 D20SC-5

FIG.5-010-2

A383019 Transmission Ass. 7y - Counter Shaft Part 2 of 4

NOTE	ITEM NO.	PART NUMBER	QTY	DESCRIPTION	CHANGE CODE	START SERIAL NO.				
						EM0UT	EM0UU	FDA01	FDA02	FDA03
	1	D700272	3	Piston Ring						
	2	A213065	2	Bearing-Taper Roller						
	3	A403202	1	Gear Ass. 7y-Counter						
	3-01	A403203	1	Gear-Counter						
	3-02	A218904	1	Avseal						
	4	A403195	1	Ring-Quad						
	5	A403196	1	Piston						
	6	A403197	1	Ring-Quad						
	7	A403198	1	Spring-Return						
	8	A213078	1	Retainer-Spring						
	9	S6520630	1	Ring-Snap						
	10	A213498	1	Disc-Pressure						
	11	A213071	5	Disc-Clutch(Outer)						
	12	A213070	5	Disc-Mating(Inner)						
	13	A213073	1	Disc-Support						
	14	A213493	1	Ring-Snap						
	15	A383103	1	Gear Wheel-Reverse						
	16	A213068	2	Bearing-Needle						
	17	A403201	1	Spacer						
	18	A213120	1	Washer						
	19	A213097	1	Washer						
	20	A213119	1	Ball						
B	21	A213190	1	Shim(0.5mm)						
B		A213191	1	Shim(0.25mm)						
B		A213192	1	Shim(0.10mm)						
B		A213027	1	Shim(0.12mm)						
	22	A403199	1	Plate-Bend						



D15/18S5 D20SC-5

FIG.5-010-3

A3830192 Transmission Ass. 7y - Output Shaft Part 3 of 4

NOTE	ITEM NO.	PART NUMBER	QTY	DESCRIPTION	CHANGE CODE	START SERIAL NO.					
						EM0UT	EM0UU	FDA01	FDA02	FDA03	-
	1	A213193	1	Cover							
B	2	A213186	1	Shim(0.5mm)							
B		A213187	1	Shim(0.15mm)							
B		A213188	1	Shim(0.10mm)							
B		A213047	1	Shim(0.12mm)							
	3	A213064	2	Bearing-Taper Roller							
	4	A383105	1	Gear-Output							
	4-01	A383104	1	Gear-Out Put							
	4-02	A213181	1	Plug							
	5	A213091	1	Seal							
	6	A213092	1	Lip-Dust							
	8	A403207	1	Seal							

PYMAKC <https://find-parts.ru/>

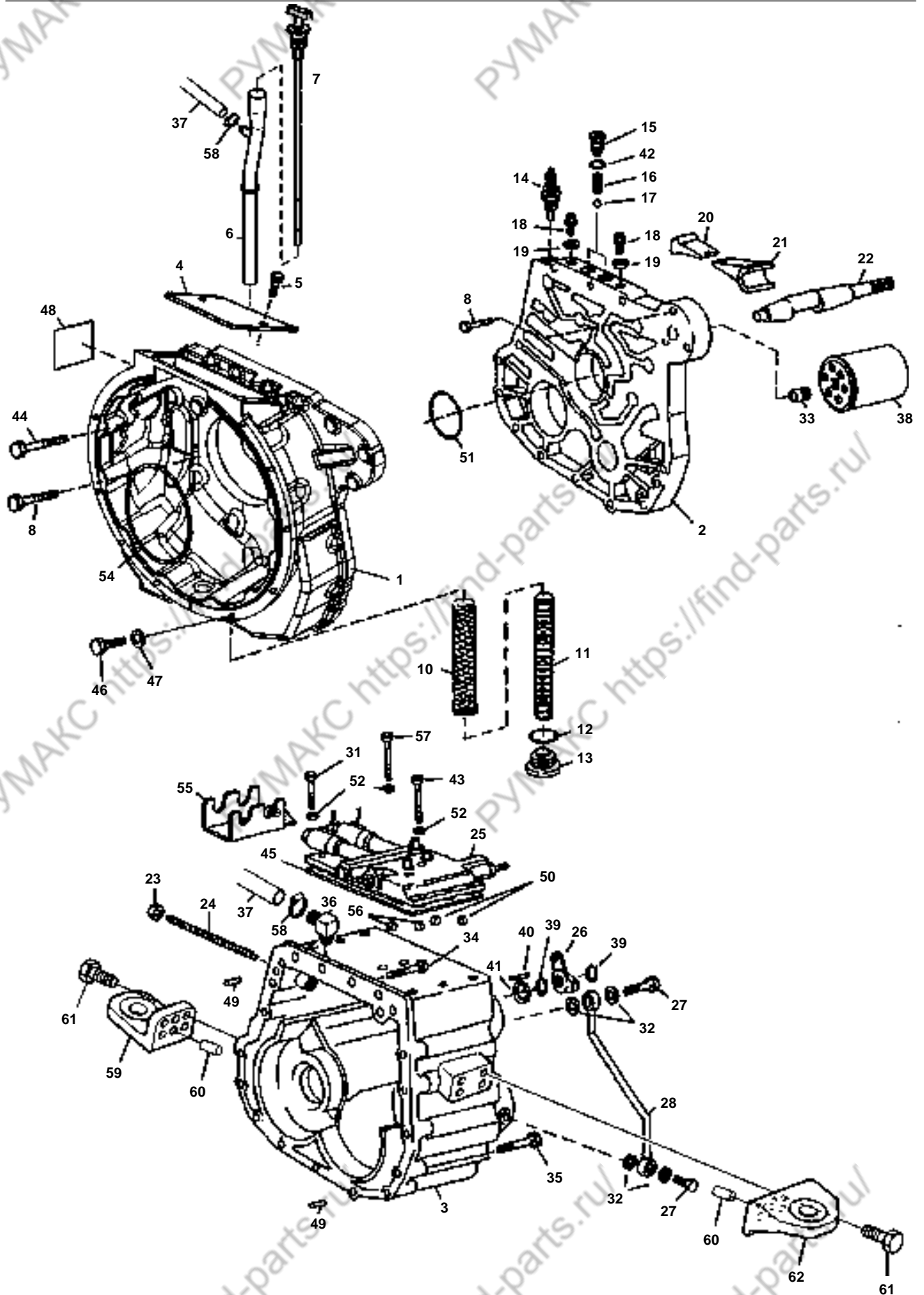
PYMAKC <https://find-parts.ru/>

PYMAKC <https://find-parts.ru/>

<https://find-parts.ru/>

<https://find-parts.ru/>

<https://find-parts.ru/>



D15/18S5 D20SC-5

FIG.5-010-4

A383019 Transmission Ass. 7y - Housing & Accessory Part 4 of 4

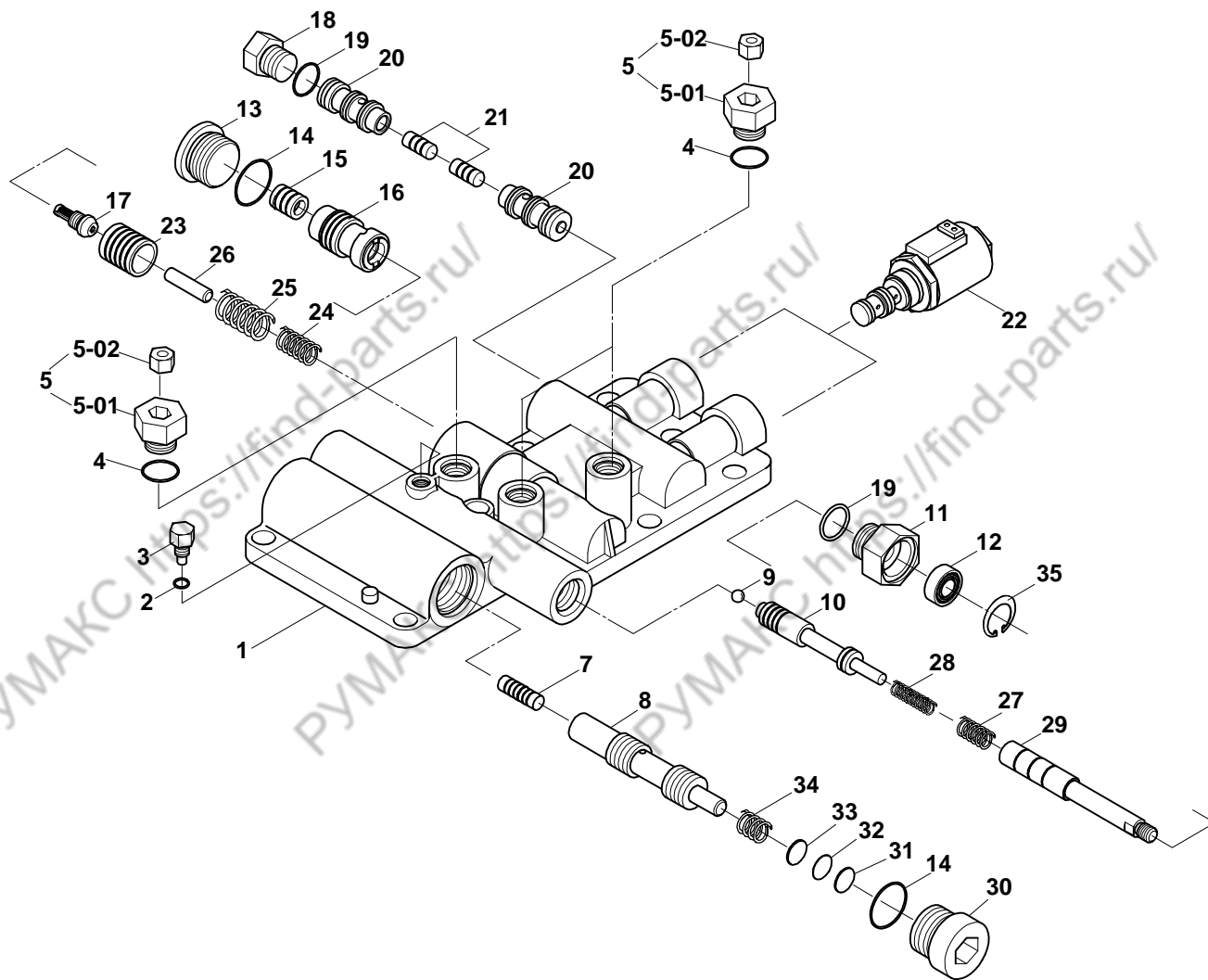
NOTE	ITEM NO.	PART NUMBER	QTY	DESCRIPTION	CHANGE CODE	START SERIAL NO.					
						EM0UT	EM0UU	FDA01	FDA02	FDA03	-
	1	A383107	1	TC Housing							
	2	A383109	1	Bearing Plate							
	3	A383020	1	Transmission Housing							
	4	A403210	1	Cover							
	5	S0508663	2	Bolt-Hex. Head							
	6	A403211	1	Dipstick Tube As							
	7	A403212	1	Dipstick							
	8	S0558361	12	Bolt-Hex. Head							
	10	A213040	1	Filter							
	11	A213055	1	Spring							
	12	A213121	1	O-Ring							
	13	A213127	1	Magnet Plug							
	14	D700261	1	Sender-Temperature							
	15	A213043	2	Plug							
	16	A213056	2	Spring							
	17	A213039	2	Ball							
	18	A213059	2	Bolt-Hex. Head							
	19	S8000081	2	O-Ring							
	20	D700268	1	Strut							
	21	A213184	1	Strut							
	22	A213082	1	Shaft-Eccentric							
	23	S4022832	1	Nut-Adjustment							
	24	A213084	1	Screw							
Y	25	A403214	1	Valve Ass. 7y							
	26	A213085	1	Lever-Parking Brake							
	27	A213113	2	Screw-Inlet Union							
	28	A213114	1	Tube Ass. 7y							
	31	S2212161	10	Bolt							
	32	A213197	4	Seal Ring							
	33	A213194	1	Adapter							
	34	S0558561	4	Bolt-Hex. Head							
	35	S0559161	13	Bolt-Hex. Head							
	36	D180321	1	Elbow							
	37	A213480	1	Hose							
	38	A383013	1	Pressure Filter							
	39	D700275	2	Ring Snap							
	40	A213087	1	Pin-Support							
	41	D700278	1	Seal							
	42	S8040081	2	O-Ring							
	43	S2212561	1	Bolt							
	44	S0558861	1	Bolt							
	45	A213102	1	Gasket							
	46	S0512163	8	Bolt							
	47	D917093	8	Washer-Hard							
	48	A403213	1	Name Plate							
	49	A213031	2	Dowel							
	50	D700214	2	Plug							
	51	A213494	1	O-Ring							
	52	A213049	12	Washer							
	54	A213495	1	O-Ring							
	55	A213080	1	Clamp							
	56	A213406	2	Plug							
	57	S2212761	1	Bolt-Hex Socket							
	58	S8450006	2	Clamp							
	59	A213440	1	Bracket(Left)							
	60	D700277	4	Pin-Dowel							
	61	S2215361	8	Bolt-Hex.Soc.HD							

D15/18S5 D20SC-5

FIG.5-010-4

A383019 Transmission Ass. 7y - Housing & Accessory Part 4 of 4

NOTE	ITEM NO.	PART NUMBER	QTY	DESCRIPTION	CHANGE CODE	START SERIAL NO.					
						EM0UT	EM0UU	FDA01	FDA02	FDA03	-
	62	A213441	1	Bracket(Right)							

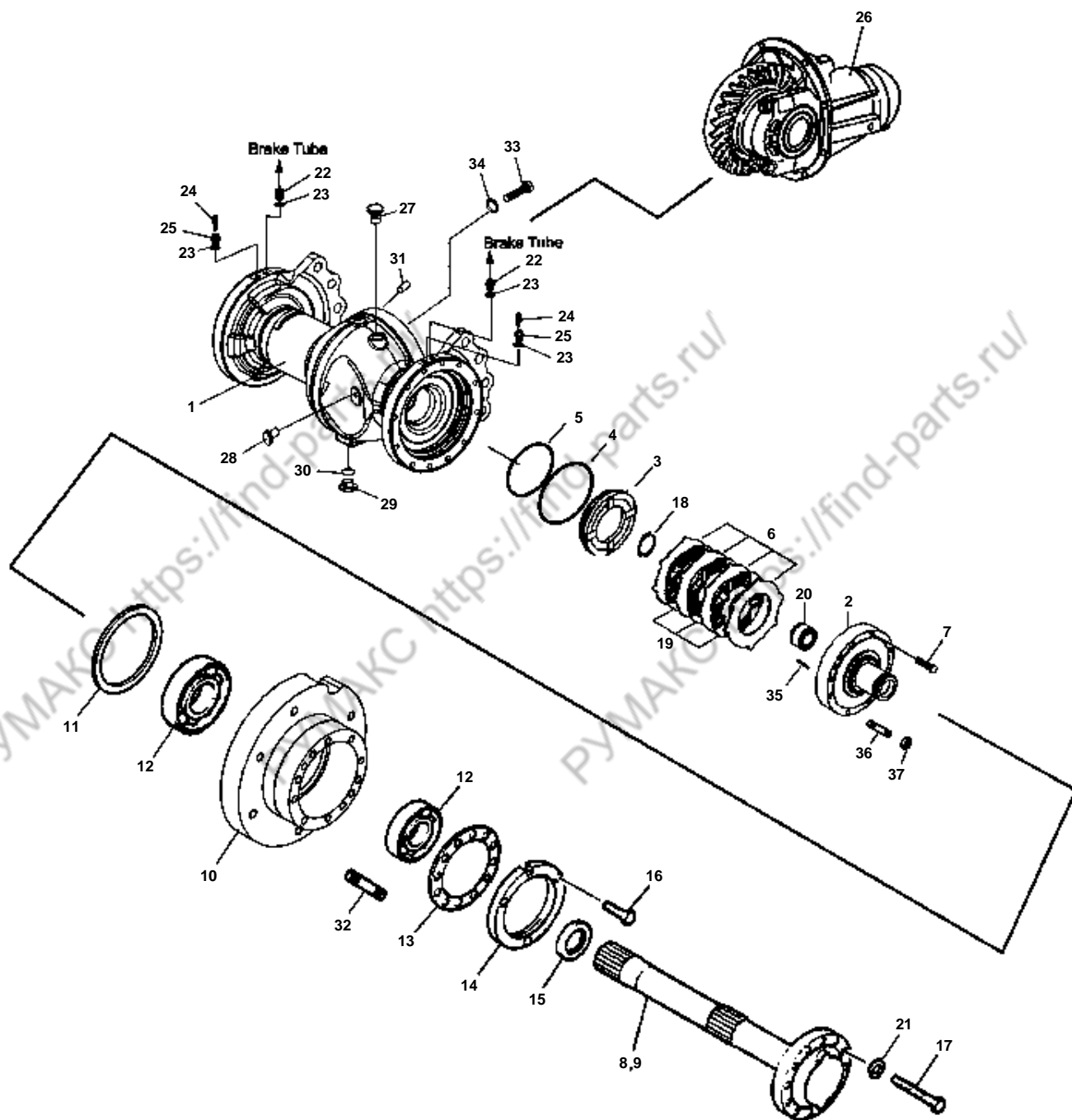


D15/18S5 D20SC-5

FIG.5-010-5

A403214 Valve Ass. 7y

NOTE	ITEM NO.	PART NUMBER	QTY	DESCRIPTION	CHANGE CODE	START SERIAL NO.				
						EM0UT	EM0UU	FDA01	FDA02	FDA03
	1	A213101	1	Manifold						
	2	D700266	1	O-Ring						
	3	D700298	1	Plug						
	4	S8040061	3	O-Ring						
	5	D909188	3	Fitting Ass. 7y						
	5-01	D909187	1	Plug						
	5-02	D700214	1	T/Plug						
	7	D700290	1	Plug						
	8	A213368	1	Spool						
	9	S6250141	1	Ball						
	10	D700254	1	Spool						
	11	A213125	1	Plug						
	12	A213050	1	Seal						
	13	D700297	1	Plug						
	14	S8040121	2	Seal						
	15	D700303	1	Plug						
	16	D141115	1	Spool						
	17	D700291	1	Plug						
	18	D909089	1	Plug						
	19	S8040081	2	Seal						
	20	D141116	2	Spool						
	21	D700300	2	Plug						
	22	A403501	2	Solenoid Valve						
	23	D141114	1	Piston						
	24	D700301	1	Spring						
	25	A403215	1	Spring						
	26	A403216	1	Pin						
	27	D700265	1	Spring						
	28	D700286	1	Spring						
	29	410207-00038	1	Inching Spool						
	30	D700296	1	Plug						
	31	D700295	1	Shim						
	32	D700292	1	Shim						
	33	D700260	1	Spacer						
	34	D700270	1	Spring						
	35	S6510200	1	Ring-Snap						

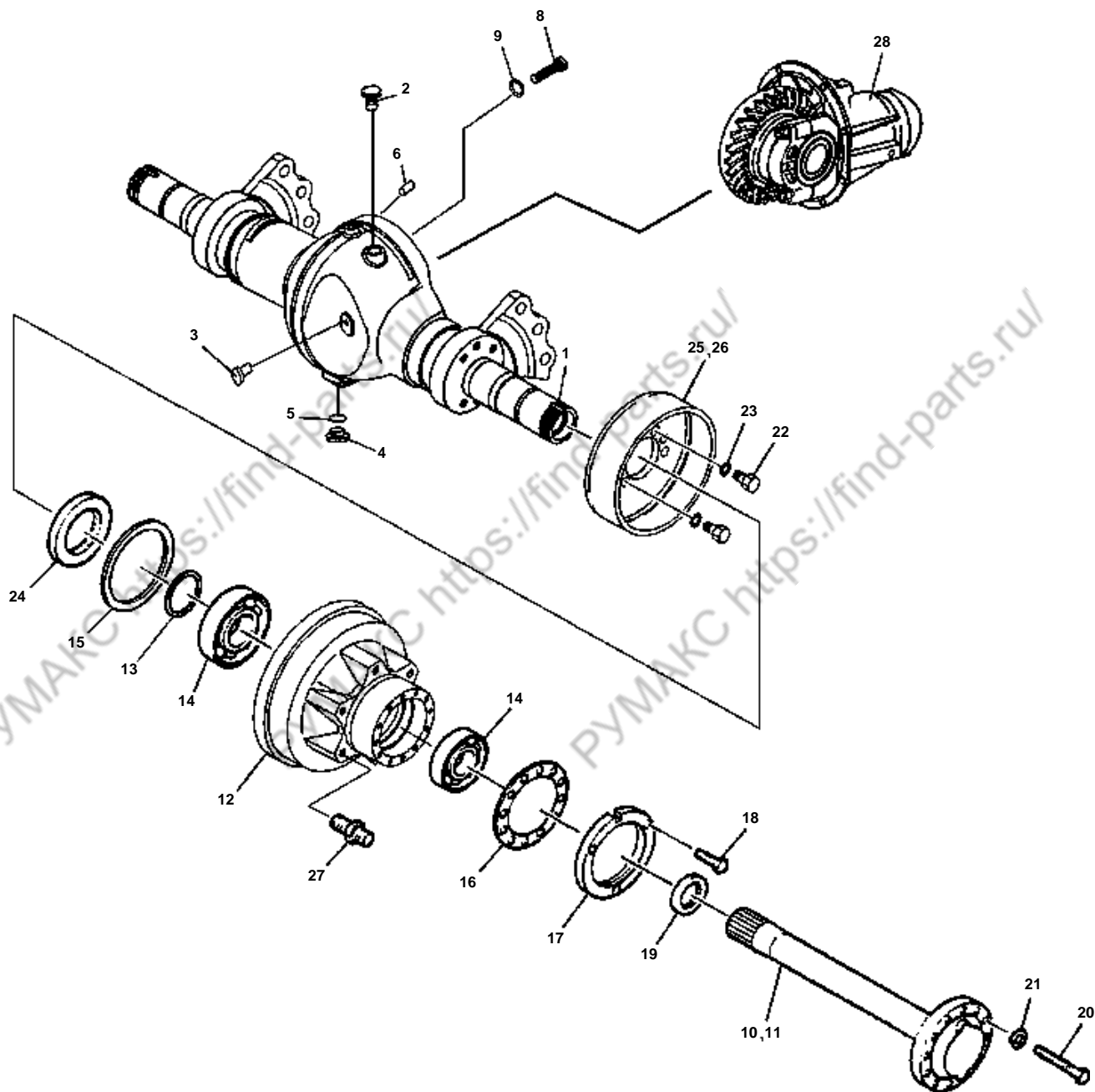


D15/18S5 D20SC-5

FIG.5-020-0

A383301 Drive Axle Ass. y - OCD Type Brake

NOTE	ITEM NO.	PART NUMBER	QTY	DESCRIPTION	CHANGE CODE	START SERIAL NO.				
						EM0UT	EM0UU	FDA01	FDA02	FDA03
	1	A383001	1	Axle Housing						
	2	A383017	2	Spindle						
	3	A403005	2	Piston						
	4	A503039	2	Square Ring						
	5	A403020	2	Square Ring						
	6	A403028	8	Plate						
	7	A251757	20	Socket. Bolt						
	8	A383007	1	Axle Shaft(LH)						
	9	A383008	1	Axle Shaft(RH)						
	10	A383004	2	Wheel Hub						
	11	A273318	2	Oil Seal						
	12	A383317	4	Taper Roller Bearing(Cup)						
		A383318	4	Taper Roller Bearing(Cone)						
	13	A403030	2	Plate						
	14	A403029	2	Lock Lut						
	15	A273322	2	Oil-Seal						
	16	A273321	2	Bolt						
	17	A273323	24	Bolt						
	18	A503038	2	Snap Ring						
	19	A403027	6	Disk						
	20	A433004	2	Collar, Spline						
	21	A273324	24	Spring Washer						
	22	D700626	2	Fitting Brake Line						
	23	D700281	4	O-Ring						
	24	D915029	2	Screw-Bleeder						
	25	A403039	2	Elbow-Fitting						
Y	26	A383303	1	Diff. Ass. y						
	27	A273012	1	Cap						
	28	A273306	1	Plug						
	29	D700294	1	Plug. Magnet						
	30	D700287	1	O-Ring						
	31	D700277	1	Dowel Pin						
	32	A273316	12	Stud Bolt						
	33	A273029	8	Bolt						
	34	A273030	8	Spring Washer						
	35	A503037	6	Pin						
	36	120117-00003	4	Stud Bolt						
	37	A383018	4	Nut						

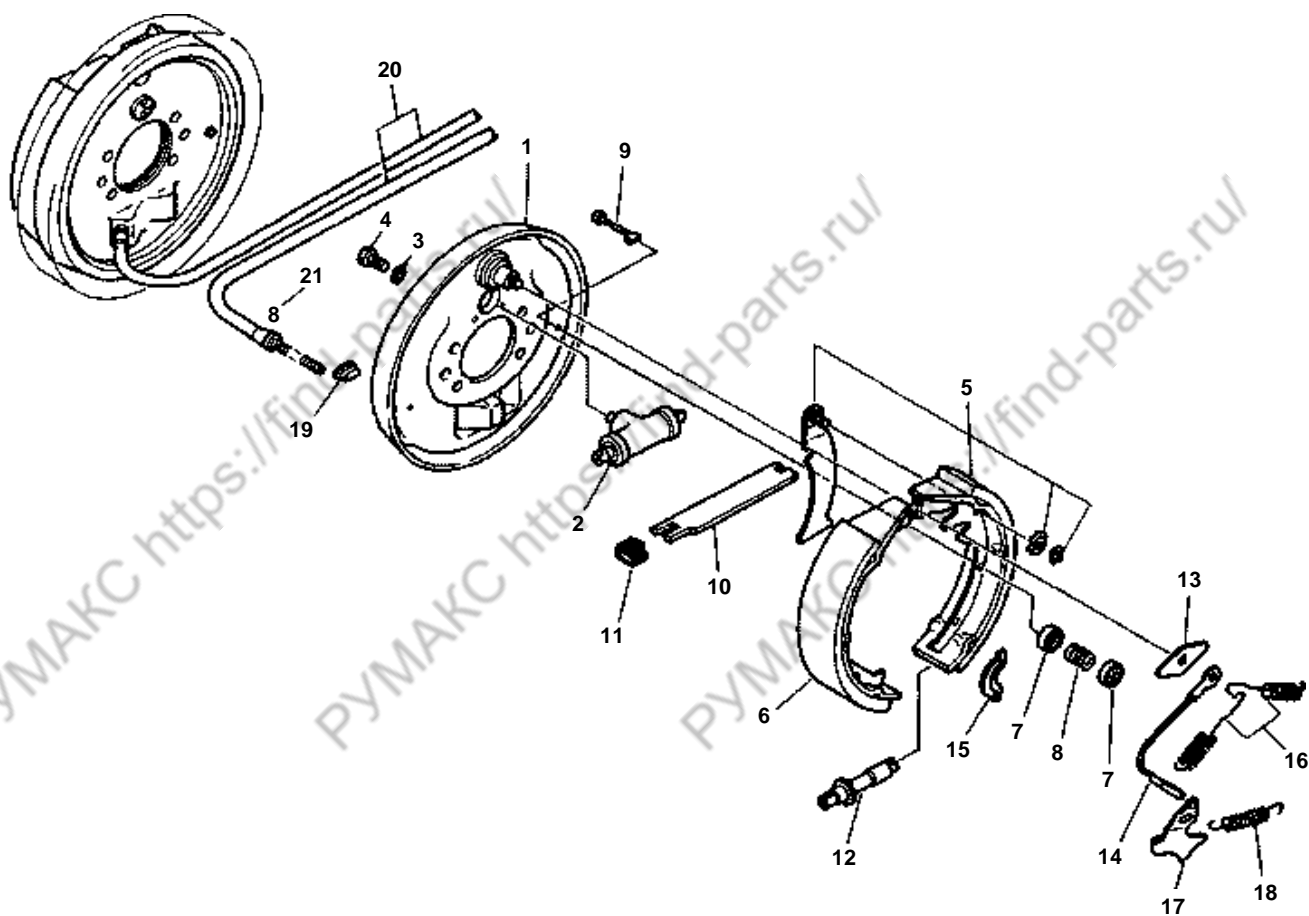


D15/18S5 D20SC-5

FIG.5-030-0

A383302 Drive Axle Ass. y - Shoe Type Brake

NOTE	ITEM NO.	PART NUMBER	QTY	DESCRIPTION	CHANGE CODE	START SERIAL NO.					
						EM0UT	EM0UU	FDA01	FDA02	FDA03	-
	1	A383320	1	Axle Housing Ass. y							
	2	A273012	1	Cap							
	3	A273306	1	Plug							
	4	D700294	1	Plug. Magnet							
	5	D700287	1	O-Ring							
	6	D700277	1	Dowel Pin							
	8	A273029	8	Bolt							
	9	A273030	8	Spring Washer							
	10	A383325	1	Drive Shaft(LH)							
	11	A383324	1	Drive Shaft(RH)							
	12	A383326	2	Hub Drum							
	13	A273348	2	O-Ring							
	14	A383317	4	Taper Roller Bearing(Cup)							
		A383318	4	Taper Roller Bearing(Cone)							
	15	A273318	2	Oil Seal							
	16	A403030	2	Plate							
	17	A403029	2	Lock Nut							
	18	A273321	2	Bolt							
	19	A273322	2	Oil-Seal							
	20	A273323	24	Bolt							
	21	A273324	24	Spring Washer							
	22	A273345	12	Bolt							
	23	A273346	12	Washer							
	24	A273347	2	Retainer Oil Seal							
Y	25	A273362	1	Brake Ass. y(LH)							
Y	26	A273361	1	Brake Ass. y(RH)							
	27	A273316	12	Stud Bolt							
Y	28	A383303	1	Diff. Ass. y							

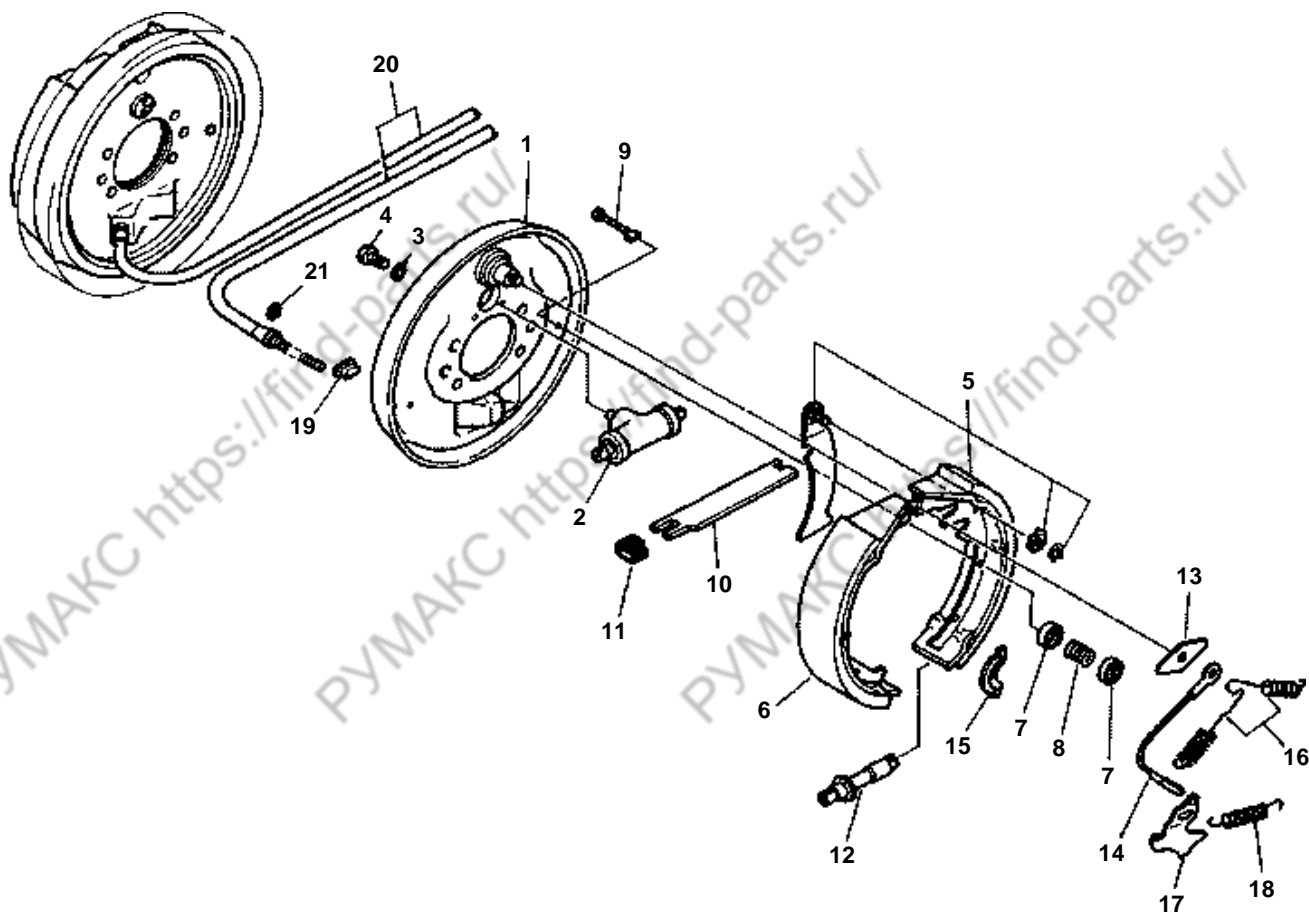


D15/18S5 D20SC-5

FIG.5-030-1

A273361 Brake Ass. ʘy - RH

NOTE	ITEM NO.	PART NUMBER	QTY	DESCRIPTION	CHANGE CODE	START SERIAL NO.				
						EM0UT	EM0UU	FDA01	FDA02	FDA03
	1	D480254	1	Back Plate Ass. ʘy(R.H)						
	2	D480256	1	Wheel Cylinder Ass. ʘy						
	3	D917098	2	Washer						
	4	D910120	2	Bolt						
	5	A273364	1	Shoe Ass. ʘy(R.H)						
	6	A273363	1	Shoe Ass. ʘy						
	7	A480260	4	Cup						
	8	A480261	2	Spring						
	9	A480262	2	Pin						
	10	A480263	1	Strut						
	11	A480264	1	Spring						
	12	A480265	1	Adjuster Ass. ʘy(R.H)						
	13	A480267	1	Guide-Shoe						
	14	A480268	1	Cable						
	15	A480269	1	Guide-Cable						
	16	A480270	2	Spring						
	17	A480271	1	Lever(R.H)						
	18	A480273	1	Spring						
	19	A480274	2	Cap-Rubber						
	20	A480275	1	Cable Ass. ʘy(R.H)						
	21	A480277	1	E-Ring						

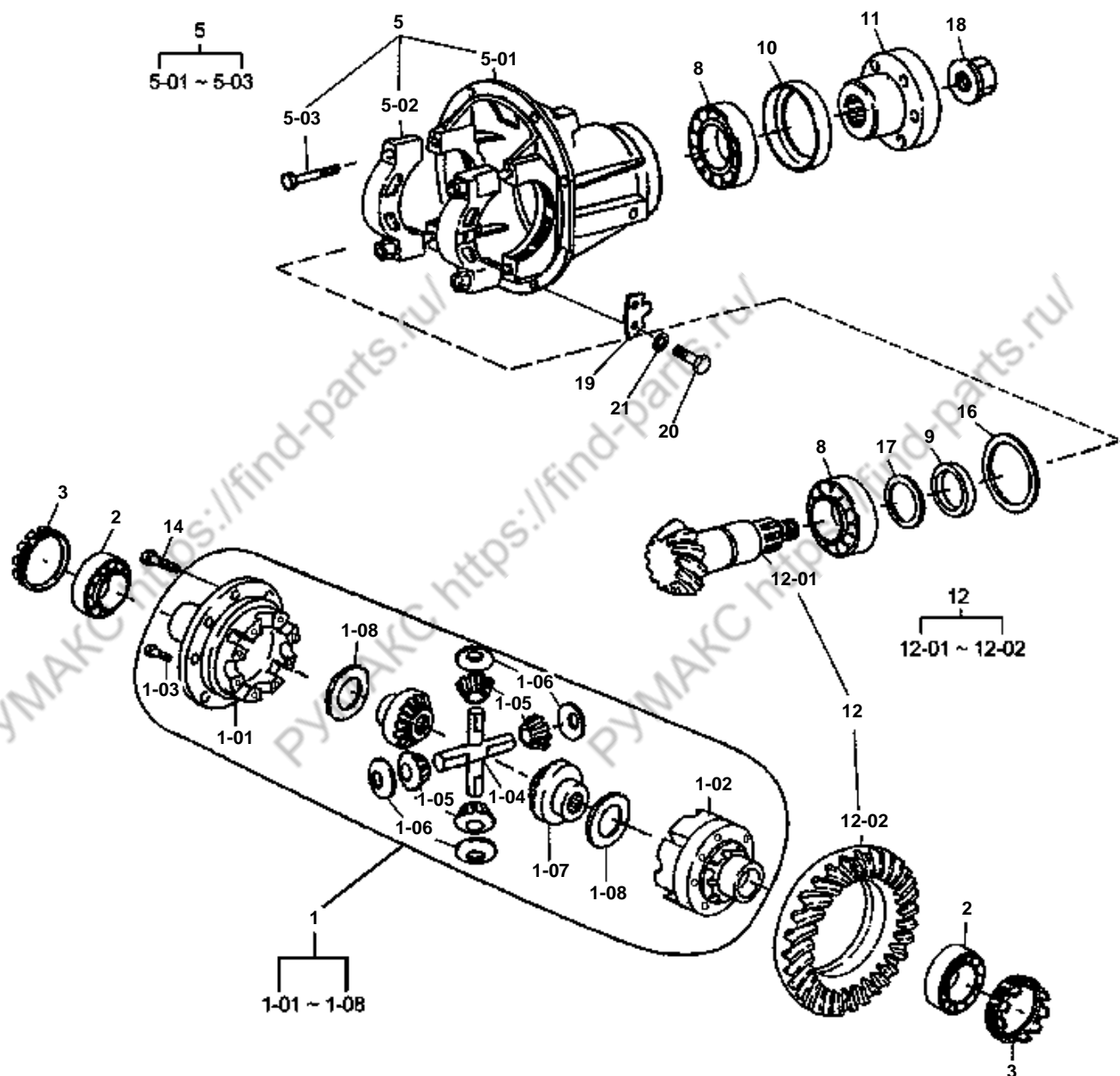


D15/18S5 D20SC-5

FIG.5-030-2

A273362 Brake Ass. ʘy - LH

NOTE	ITEM NO.	PART NUMBER	QTY	DESCRIPTION	CHANGE CODE	START SERIAL NO.					
						EM0UT	EM0UU	FDA01	FDA02	FDA03	-
	1	D480255	1	Back Plate Ass. ʘy(L.H)							
	2	D480256	1	Wheel Cylinder Ass. ʘy							
	3	D917098	2	Washer							
	4	D910120	2	Bolt							
	5	A273365	1	Shoe Ass. ʘy(L.H)							
	6	A273363	1	Shoe Ass. ʘy							
	7	A480260	4	Cup							
	8	A480261	2	Spring							
	9	A480262	2	Pin							
	10	A480263	1	Strut							
	11	A480264	1	Spring							
	12	A480266	1	Adjuster Ass. ʘy(L.H)							
	13	A480267	1	Guide-Shoe							
	14	A480268	1	Cable							
	15	A480269	1	Guide-Cable							
	16	A480270	2	Spring							
	17	A480272	1	Lever(L.H)							
	18	A480273	1	Spring							
	19	A480274	2	Cap-Rubber							
	20	A480276	1	Cable Ass. ʘy(L.H)							
	21	A480277	1	E-Ring							



D15/18S5 D20SC-5

FIG.5-040-0

A383303 Differential Ass. ʹy

NOTE	ITEM NO.	PART NUMBER	QTY	DESCRIPTION	CHANGE CODE	START SERIAL NO.					
						EM0UT	EM0UU	FDA01	FDA02	FDA03	-
	1	A133960	1	Differential							
Z	1-01	A133904	1	Diff. Case(RH)							
Z	1-02	A133905	1	Diff. Case(LH)							
Z	1-03	A133913	12	Bolt							
Z	1-04	A133911	1	Spider							
Z	1-05	A133909	4	Pinion							
Z	1-06	A133908	4	Thrust Washer							
Z	1-07	A133906	2	Side Gear							
Z	1-08	A133907	2	Thrust Washer							
	2	A133900	2	Taper Roller Bearing							
	3	A133899	2	Adjust Nut							
	5	A383303	1	Diff. Carrier Ass. ʹy							
	5-01	A383002	1	Diff. Carrier							
	5-02	A133894	2	Cap							
	5-03	A133895	4	Rimmer Bolt							
	8	A213258	2	Taper Roller Bearing							
	9	A383313	1	Ring							
	10	A213227	1	Oil Seal							
	11	A403006	1	Yoke							
	12	A383316	1	Gear Set							
Z	12-01	A383010	1	Pinion Shaft							
Z	12-02	A383009	1	Ring Gear							
	14	A133898	16	Bolt. Diff							
	16	A383308	1	Shim							
		A383309	1	Shim							
		A213231	1	Shim							
		A213232	1	Shim							
		A213088	1	Shim							
	17	A383310	1	Shim							
		A383311	1	Shim							
		A213235	1	Shim							
		A213236	1	Shim							
		A213226	1	Shim							
	18	A383312	1	Nut							
	19	A273340	2	Plate							
	20	A273341	4	Bolt							
	21	A273342	4	Washer							

РУМАКУ <https://find-parts.ru/>

РУМАКУ <https://find-parts.ru/>

РУМАКУ <https://find-parts.ru/>

РУМАКУ <https://find-parts.ru/>

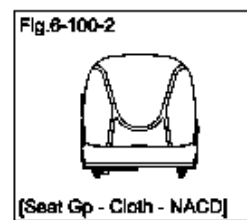
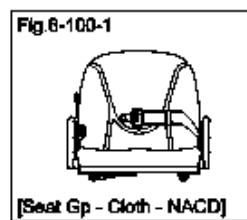
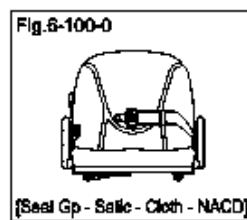
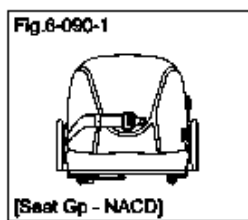
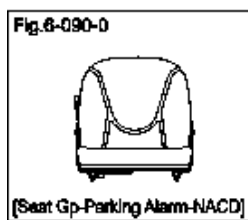
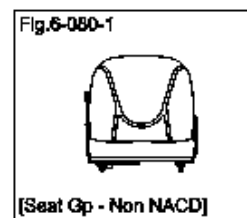
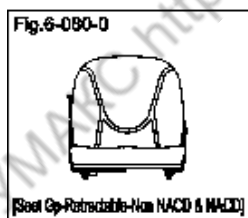
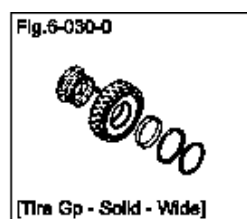
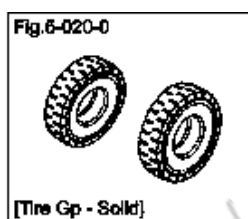
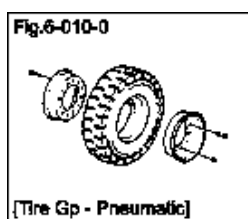
РУМАКУ <https://find-parts.ru/>

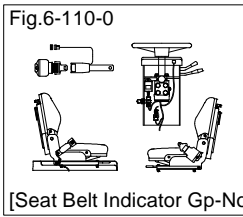
РУМАКУ <https://find-parts.ru/>

<https://find-parts.ru/>

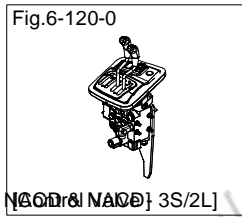
<https://find-parts.ru/>

<https://find-parts.ru/>

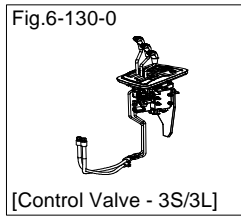




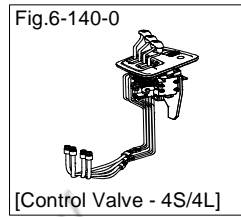
[Seat Belt Indicator Gp-Non



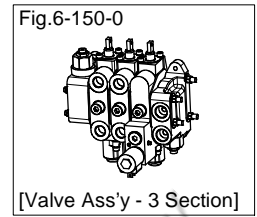
[Control Valve - 3S/2L]



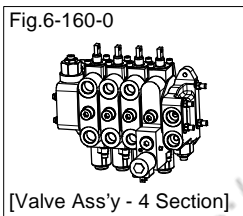
[Control Valve - 3S/3L]



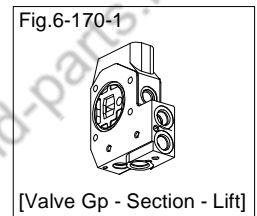
[Control Valve - 4S/4L]



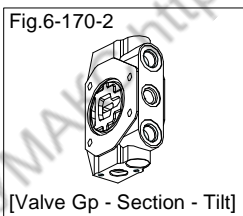
[Valve Ass'y - 3 Section]



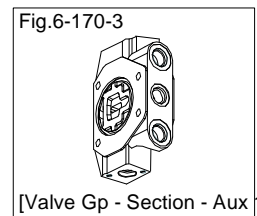
[Valve Ass'y - 4 Section]



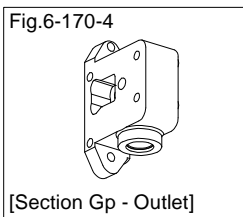
[Valve Gp - Section - Lift]



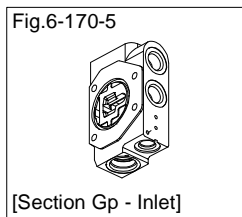
[Valve Gp - Section - Tilt]



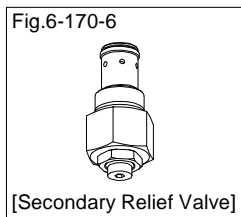
[Valve Gp - Section - Aux]



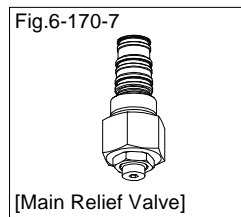
[Section Gp - Outlet]



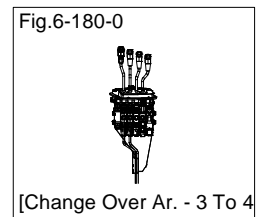
[Section Gp - Inlet]



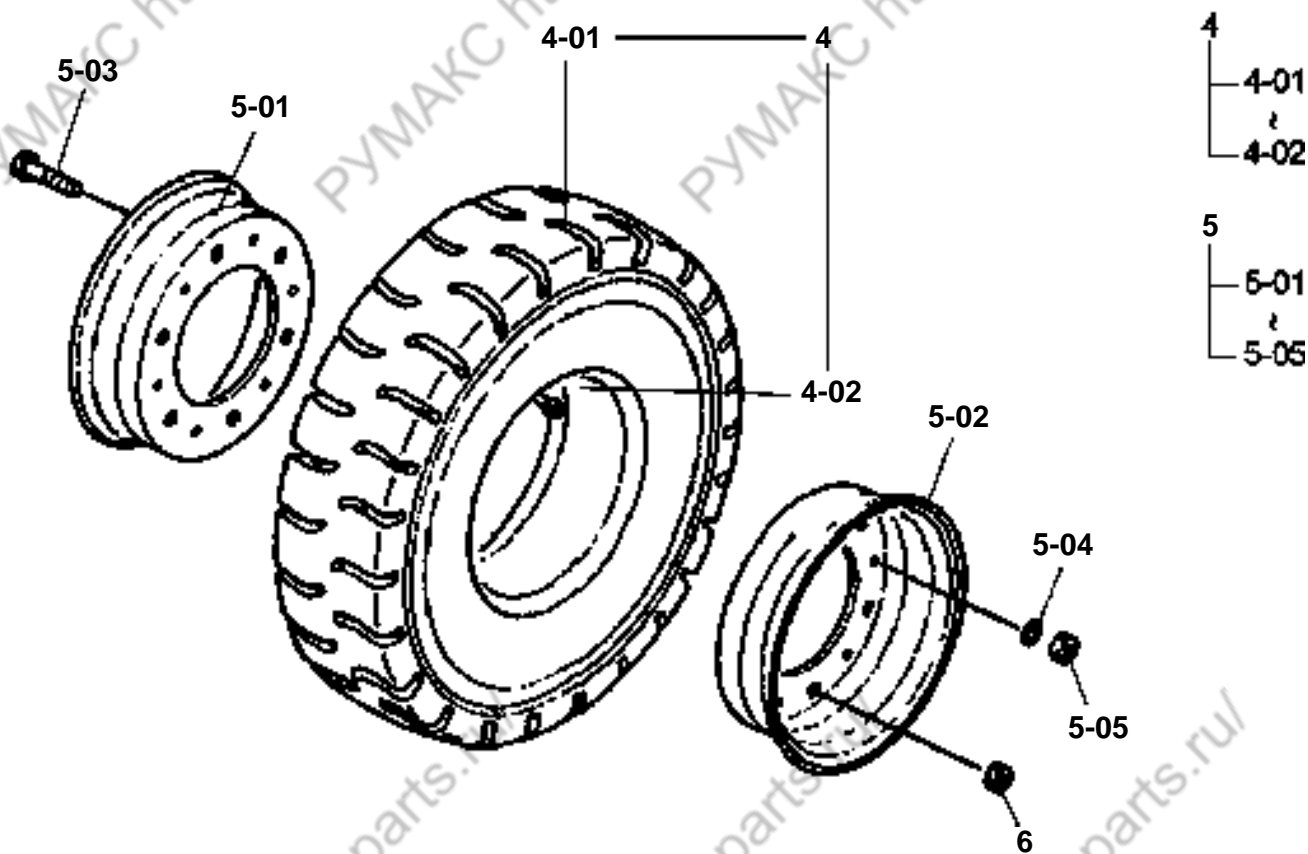
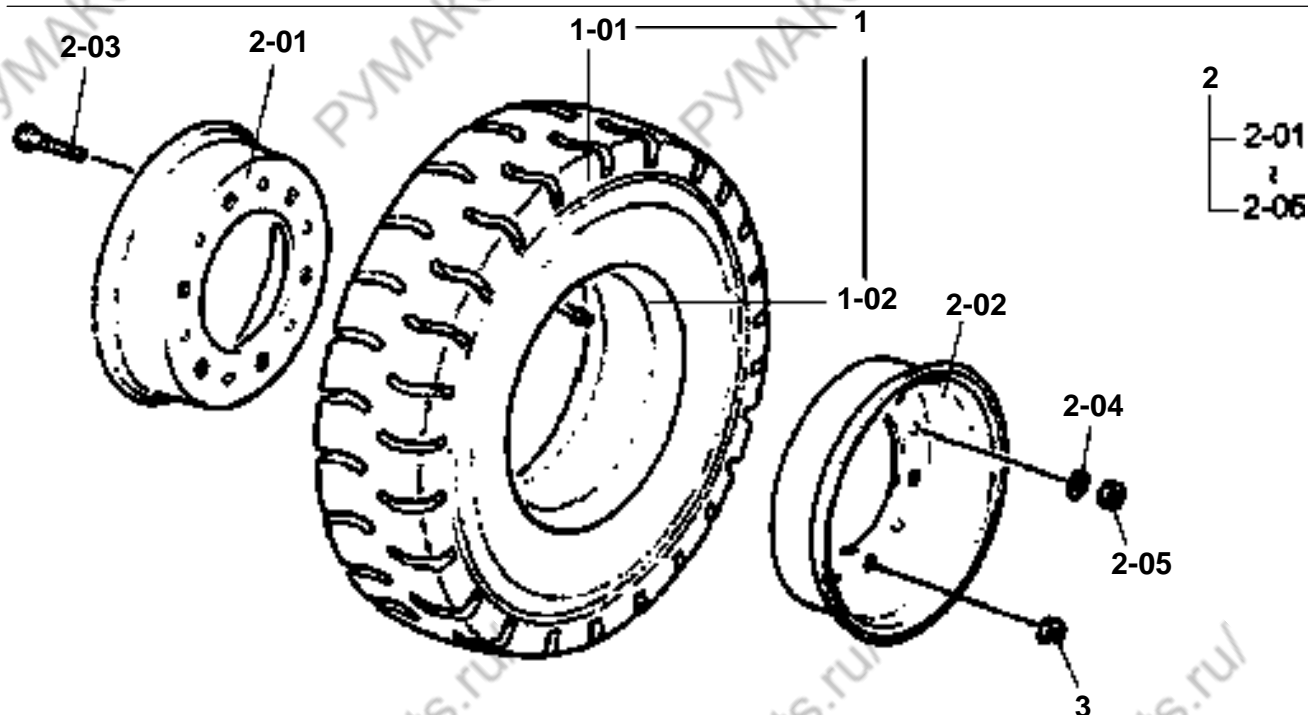
[Secondary Relief Valve]



[Main Relief Valve]



[Change Over Ar. - 3 To 4

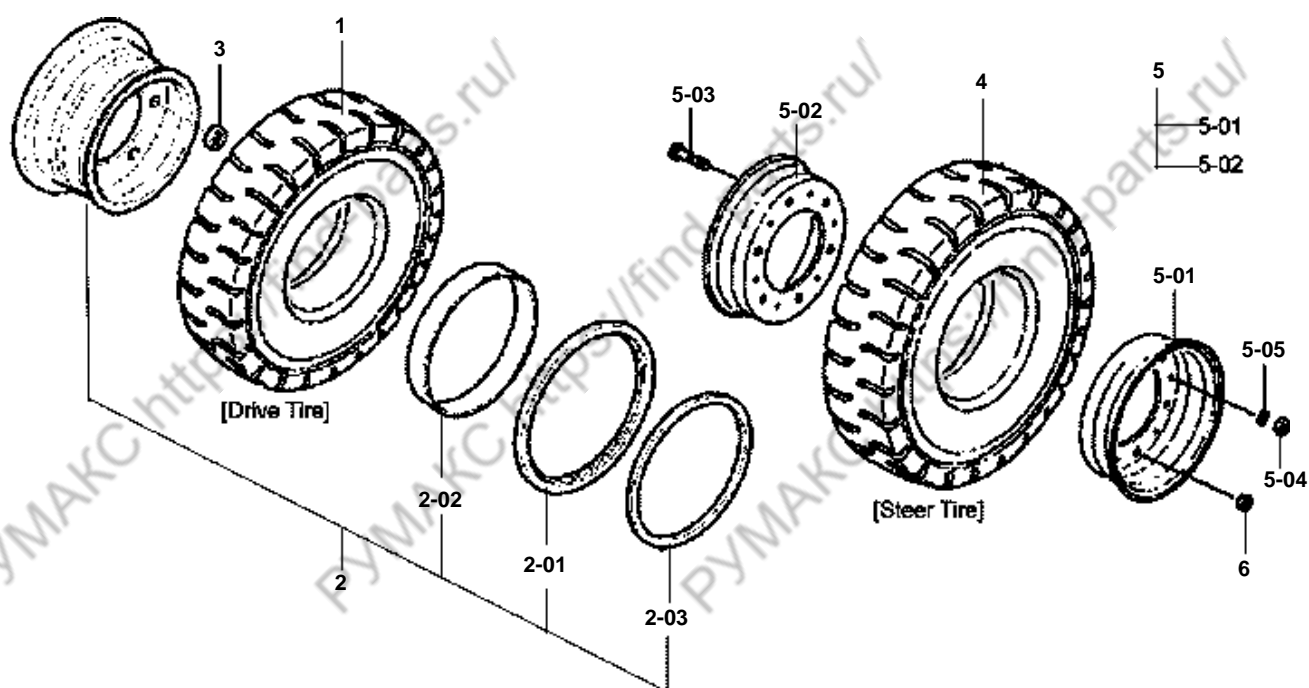


D15/18S5 D20SC-5

FIG.6-010-0

A271338 Tire & Wheel Gp - Pneumatic

NOTE	ITEM NO.	PART NUMBER	QTY	DESCRIPTION	CHANGE CODE	START SERIAL NO.					
						EM0UT	EM0UU	FDA01	FDA02	FDA03	-
	1	D480169	2	Tire Ass. 7y-Drive							
	1-01	D480176	1	Tire							
	1-02	D480177	1	Tube Ass. 7y							
	2	D480178	1	Wheel Ass. 7y-Drive							
	2-01	D480180	2	Wheel							
	2-02	D480179	2	Wheel							
	2-03	D910178	12	Bolt							
	2-04	S5102703	12	Washer							
	2-05	S4037933	12	Nut							
	3	D913032	12	Nut							
	4	D480374	2	Tire Ass. 7y-Steer							
	4-01	D480375	1	Tire							
	4-02	D480172	1	Tube Ass. 7y							
	5	D480173	1	Wheel Ass. 7y-Steer							
	5-01	D480175	2	Wheel							
	5-02	D480174	2	Wheel							
	5-03	D910179	12	Bolt							
	5-04	S5102603	12	Washer							
	5-05	S4036633	12	Nut							
	6	D913033	12	Nut							

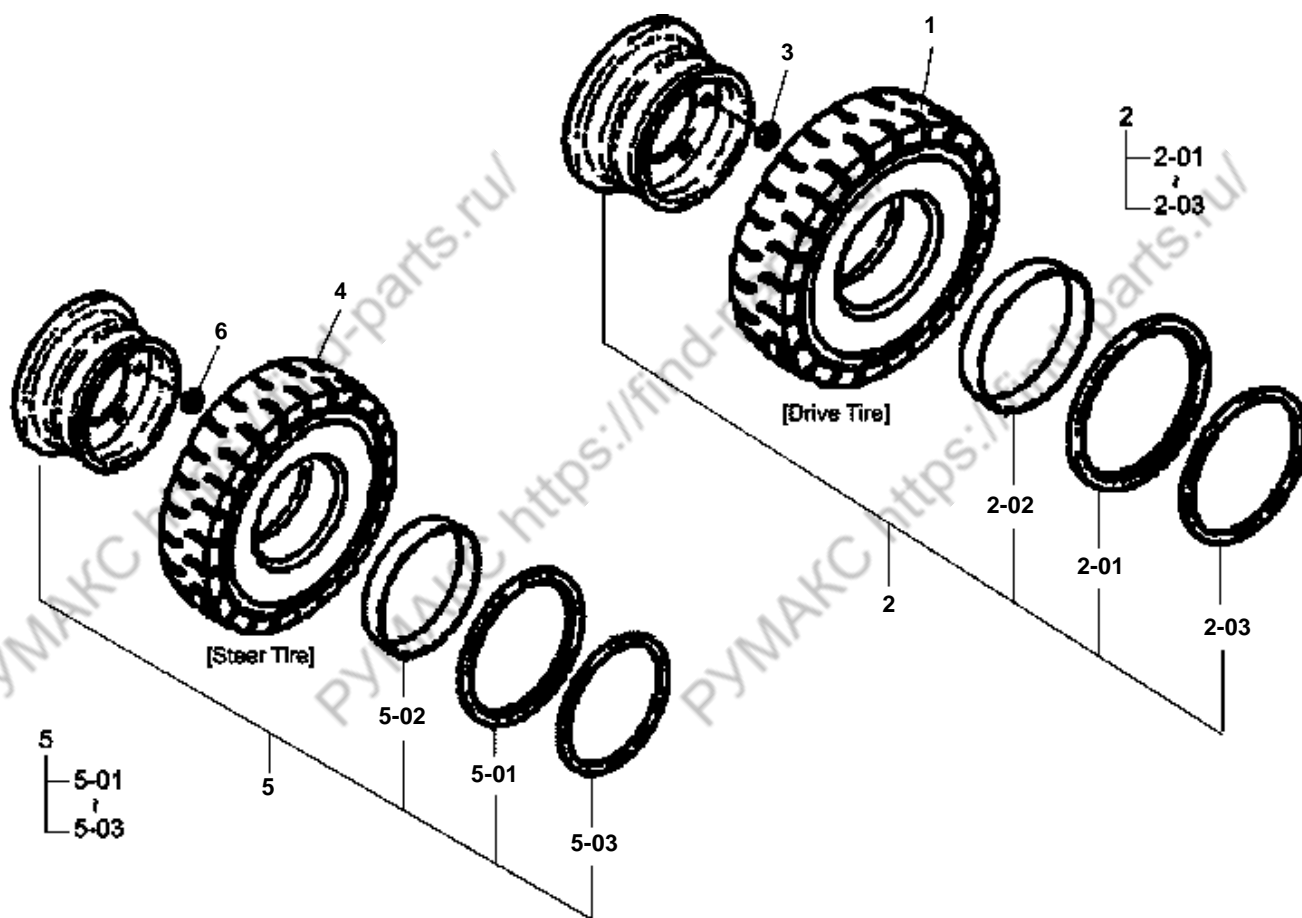


D15/18S5 D20SC-5

FIG.6-020-0

D480184 Tire & Wheel Gp - 1.5 / 1.8 Ton - Solid

NOTE	ITEM NO.	PART NUMBER	QTY	DESCRIPTION	CHANGE CODE	START SERIAL NO.					
						EM0UT	EM0UU	FDA01	FDA02	FDA03	-
	1	D141213	2	Tire-Solid(6.50-10) -Drive							
	2	D480293	2	Wheel Ass. 7y-Drive							
	2-01	D480595	1	Side Rng							
	2-02	D480596	1	Shoulder Ring							
	2-03	D480597	1	Lock Ring							
	3	D913032	12	Nut							
	4	D480281	2	Tire-Solid(5.00-8) -Steer							
	5	D480173	2	Wheel Ass. 7y-Steer							
	5-01	D480174	2	Wheel							
	5-02	D480175	2	Wheel							
	5-03	D910179	12	Bolt							
	5-04	S4036633	12	Nut							
	5-05	S5102603	12	Washer							
	6	D913033	12	Nut							

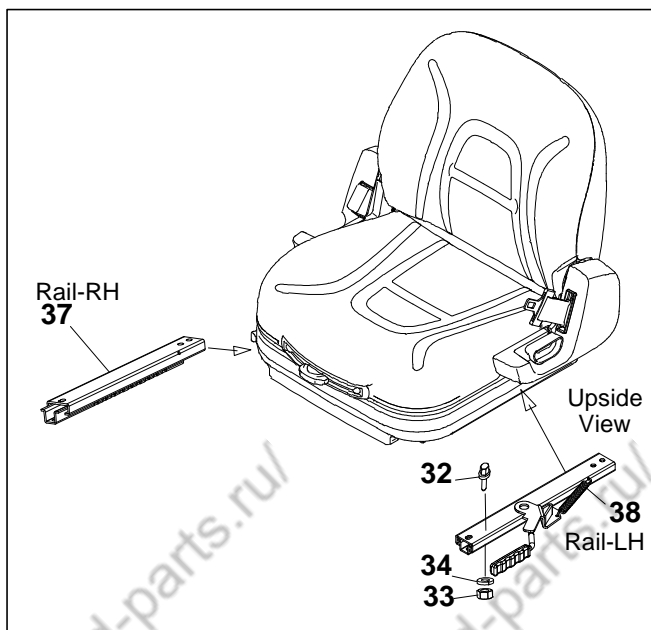
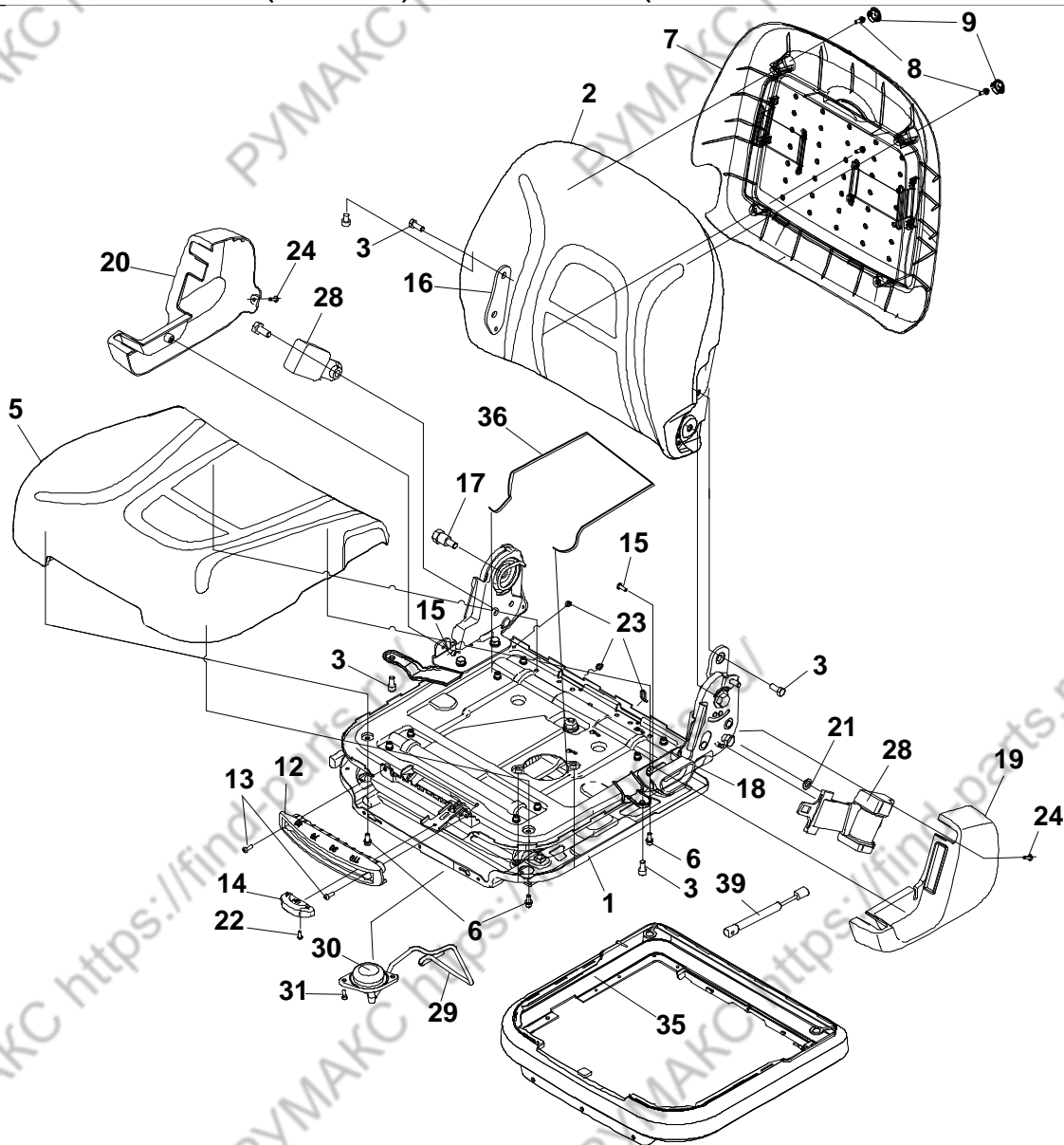


D15/18S5 D20SC-5

FIG.6-030-0

A272216 Tire & Wheel Gp - Wide - Solid

NOTE	ITEM NO.	PART NUMBER	QTY	DESCRIPTION	CHANGE CODE	START SERIAL NO.					
						EM0UT	EM0UU	FDA01	FDA02	FDA03	-
	1	D141213	2	Tire-Solid(6.50-10) -Drive							
	2	D480293	2	Wheel Ass. 7y-Drive							
	2-01	D480595	1	Side Rng							
	2-02	D480596	1	Shoulder Ring							
	2-03	D480597	1	Lock Ring							
	3	D913032	12	Nut							
	4	D290142	2	Tire-Solid(18x7) -Steer							
	5	A272215	2	Wheel Ass. 7y-Steer							
	5-01	A272214	1	Wheel Base							
	5-02	A153080	1	Side Rng							
	5-03	A153081	1	Shoulder Ring							
	6	D913033	12	Nut							

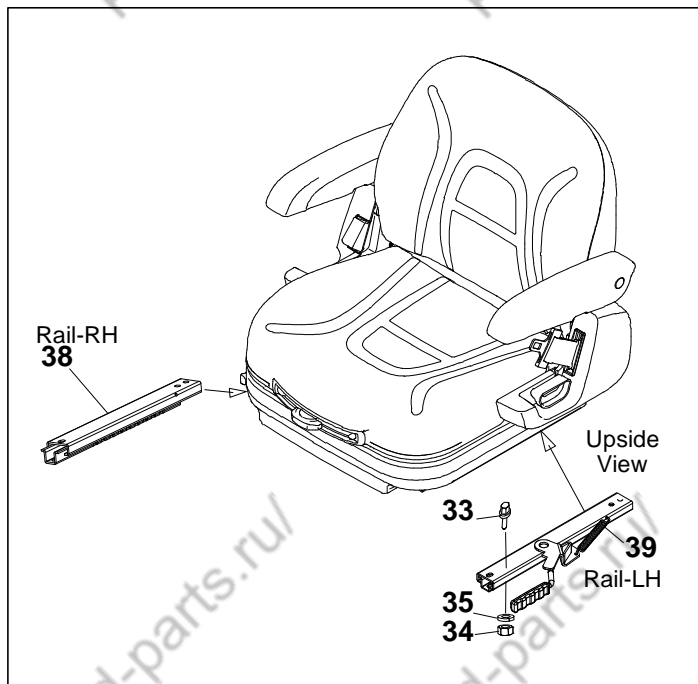
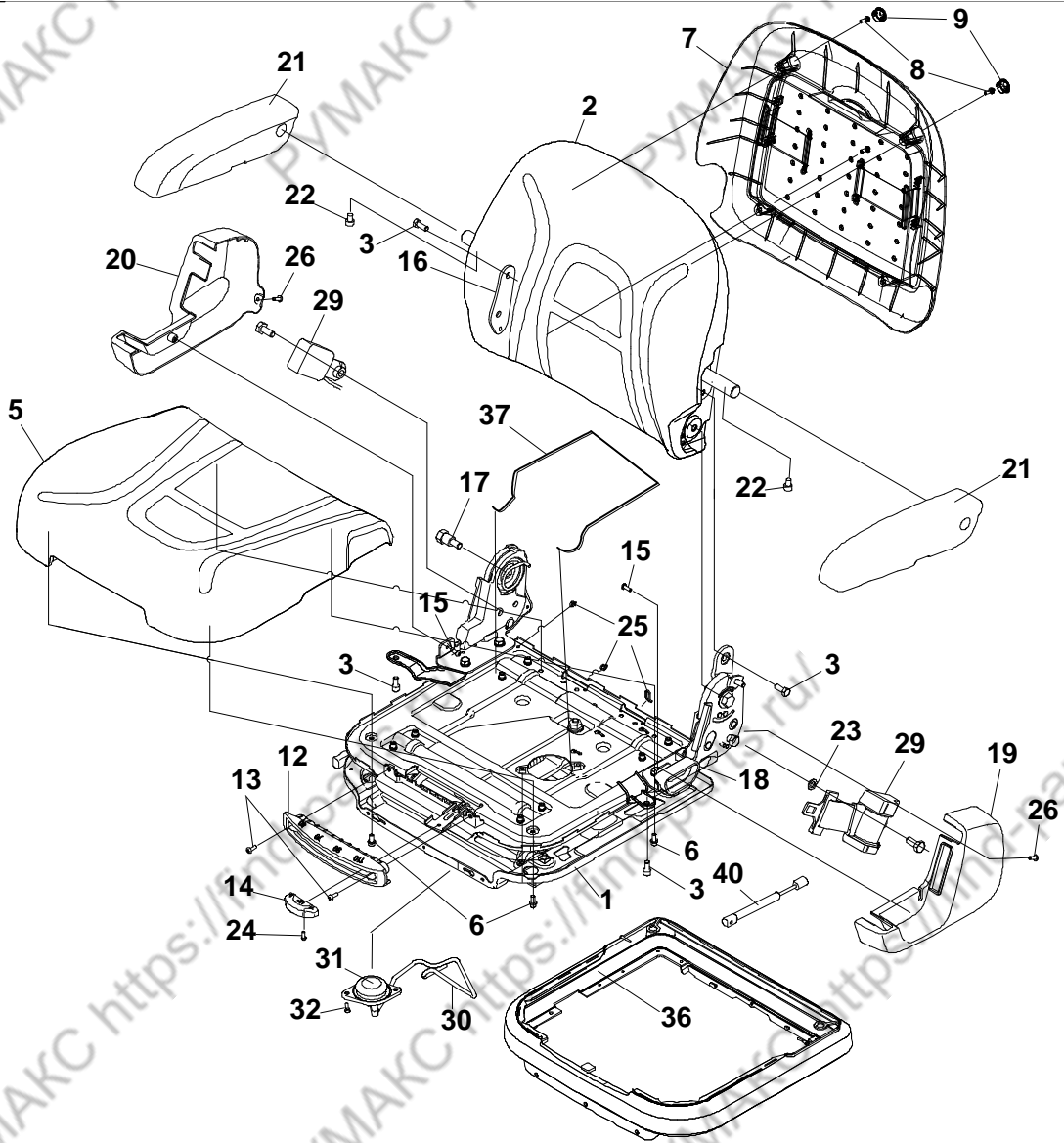


D15/18S5 D20SC-5

FIG.6-040-0

A402585 Seat Gp - Suspension - Non NACD

NOTE	ITEM NO.	PART NUMBER	QTY	DESCRIPTION	CHANGE CODE	START SERIAL NO.				
						EMOUT	EM0UU	FDA01	FDA02	F
C	-	A511055	1	Seat As.(Vinyl) STD, Belt Switch	N					
		110946-00062	1	Seat As.(Vinyl) STD, Belt Switch (Include Parts Ref.No 1~31)						
	1	A172304	1	Cush Ass. ʘy						
	2	A172277	1	Back Ass. ʘy						
	3		2	Bolt						
	5	A172280	1	Pad Ass. ʘy-Cush						
	6		4	Socket Bolt						
	7	A172283	1	Cover Ass. ʘy-Back						
	8		4	Screw-RH						
	9	A172285	2	Cap						
	12	A172286	1	Cover-Weight Cont						
	13		2	Screw-RH						
	14	A172288	1	Knob-Weight Cont						
	15		2	Screw-RH						
	16		1	Support Bracket						
	17	A172292	1	Bolt-RH-Hinge						
	18		1	Knob-Recliner						
	19	A172307	1	Cover-Side-LH						
	20	A172308	1	Cover-Side-RH						
	21		1	Washer						
	22		1	Screw-RH						
	23		2	Cable-Tie						
	24		2	Screw-RH-Tap						
	28	A159235	1	Buckle Ass. ʘy						
	29		1	Harness Ass. ʘy-Seat						
	30	A154433	1	Switch Ass. ʘy						
	31		2	Screw						
	32	D910193	4	Bolt		N				
	C	120116-00009	4	Bolt						
	33	D913003	4	Nut-Lock						
	34	D917092	4	Washer						
	35	A172312	1	Bellows						
36	A172313	1	Bar-Switch	N						
C	110302-00223	1	Bar-Switch							
37	D130843	1	Guide Rail Ass. ʘy-RH		R		0001~0100	0001~0113		
C	110922-00206	1	Guide Rail Ass. ʘy-RH				0101~	0114~		
38	A159237	1	Guide Rail Ass. ʘy-LH		R		0001~0100	0001~0113		
C	110922-00205	1	Guide Rail Ass. ʘy-LH				0101~	0114~		
39	A438005	1	Damper Ass. ʘy							



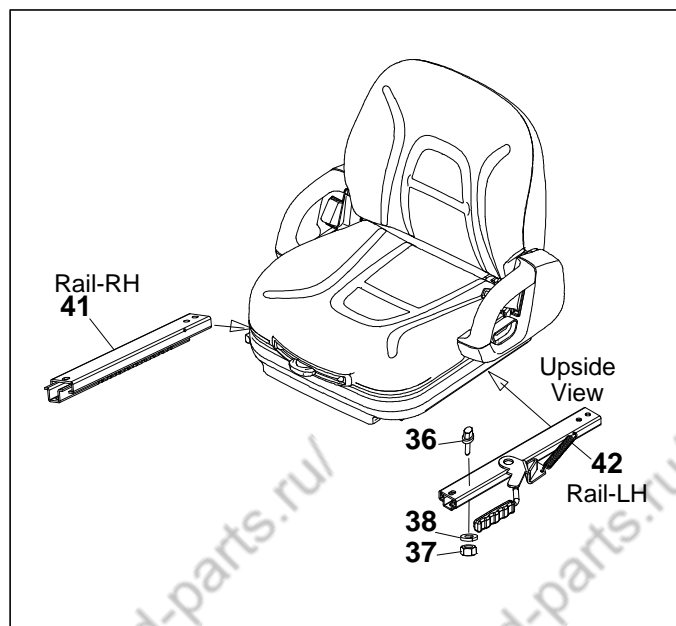
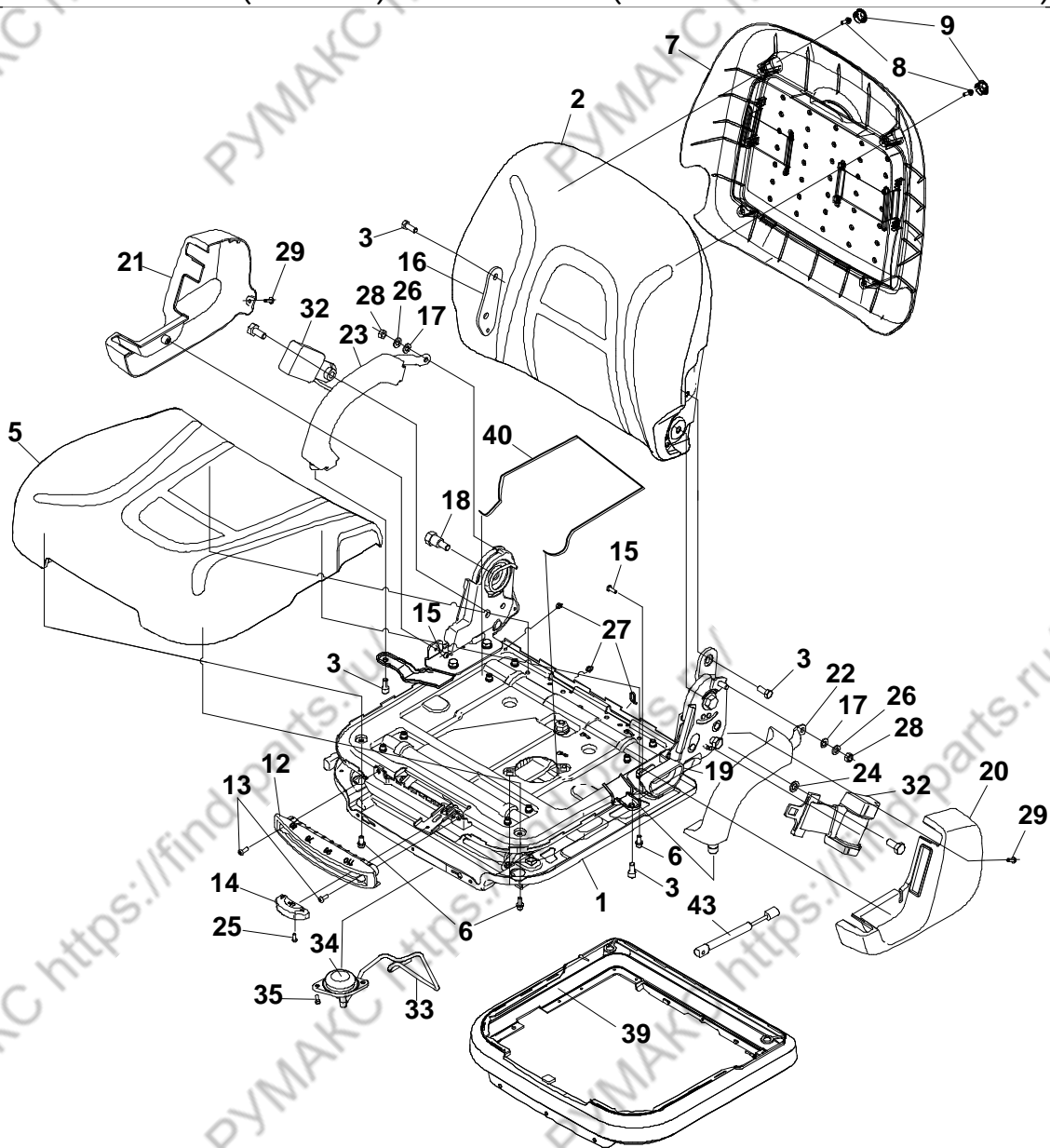
Seat As(A511056)
(Include Parts REF.NO 1 ~ 3)

D15/18S5 D20SC-5

FIG.6-050-0

A402586 Seat Gp - Suspension Arm Rest - Non NACD

NOTE	ITEM NO.	PART NUMBER	QTY	DESCRIPTION	CHANGE CODE	START SERIAL NO.					
						EMOUT	EM0UU	FDA01	FDA02	F	
C	-	A511056	1	Seat As.(Vinyl) STD, Belt Switch	N						
		110946-00066	1	Seat As.(Vinyl) STD, Belt Switch (Include Parts Ref.No 1~32)							
	1	A172304	1	Cush Ass. ʘy							
	2	A172305	1	Back Ass. ʘy							
	3		2	Bolt							
	5	A172280	1	Pad Ass. ʘy-Cush							
	6		4	Socket Bolt							
	7	A172306	1	Cover Ass. ʘy-Back							
	8		4	Screw-RH							
	9	A172285	2	Cap							
	12	A172286	1	Cover-Weight Cont							
	13		2	Screw-RH							
	14	A172288	1	Knob-Weight Cont							
	15		2	Screw-RH							
	16		1	Support Bracket							
	17	A172292	1	Bolt-RH-Hinge							
	18		1	Knob-Recliner							
	19	A172307	1	Cover-Side-LH							
	20	A172308	1	Cover-Side-RH							
	21	A172309	2	Arm Rest Ass. ʘy							
	22		2	Socket Bolt							
	23		1	Washer							
	24		1	Screw-RH							
	25		2	Cable-Tie							
	26		2	Screw-RH-Tap							
	29	A159235	1	Buckle Ass. ʘy							
	30		1	Harness Ass. ʘy-Seat							
	31	A154433	1	Switch Ass. ʘy							
	32		2	Screw							
	33	D910193	4	Bolt		N					
	C	120116-00009	4	Bolt							
	34	D913003	4	Nut-Lock							
	35	D917092	4	Washer							
36	A172312	1	Bellows								
37	A172313	1	Bar-Switch	N							
C	110302-00223	1	Bar-Switch								
38	D130843	1	Guide Rail Ass. ʘy-RH	R	0001~0100	0001~0113					
C	110922-00206	1	Guide Rail Ass. ʘy-RH		0101~	0114~					
39	A159237	1	Guide Rail Ass. ʘy-LH	R	0001~0100	0001~0113					
C	110922-00205	1	Guide Rail Ass. ʘy-LH		0101~	0114~					
40	A438005	1	Damper Ass. ʘy								



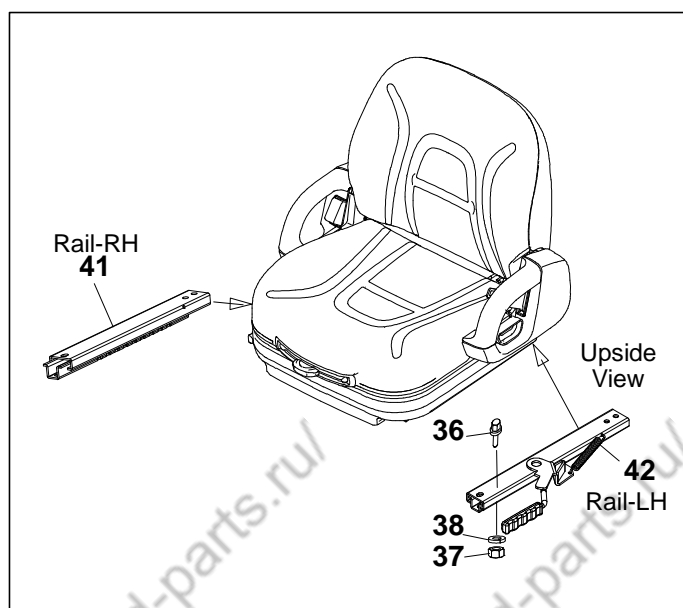
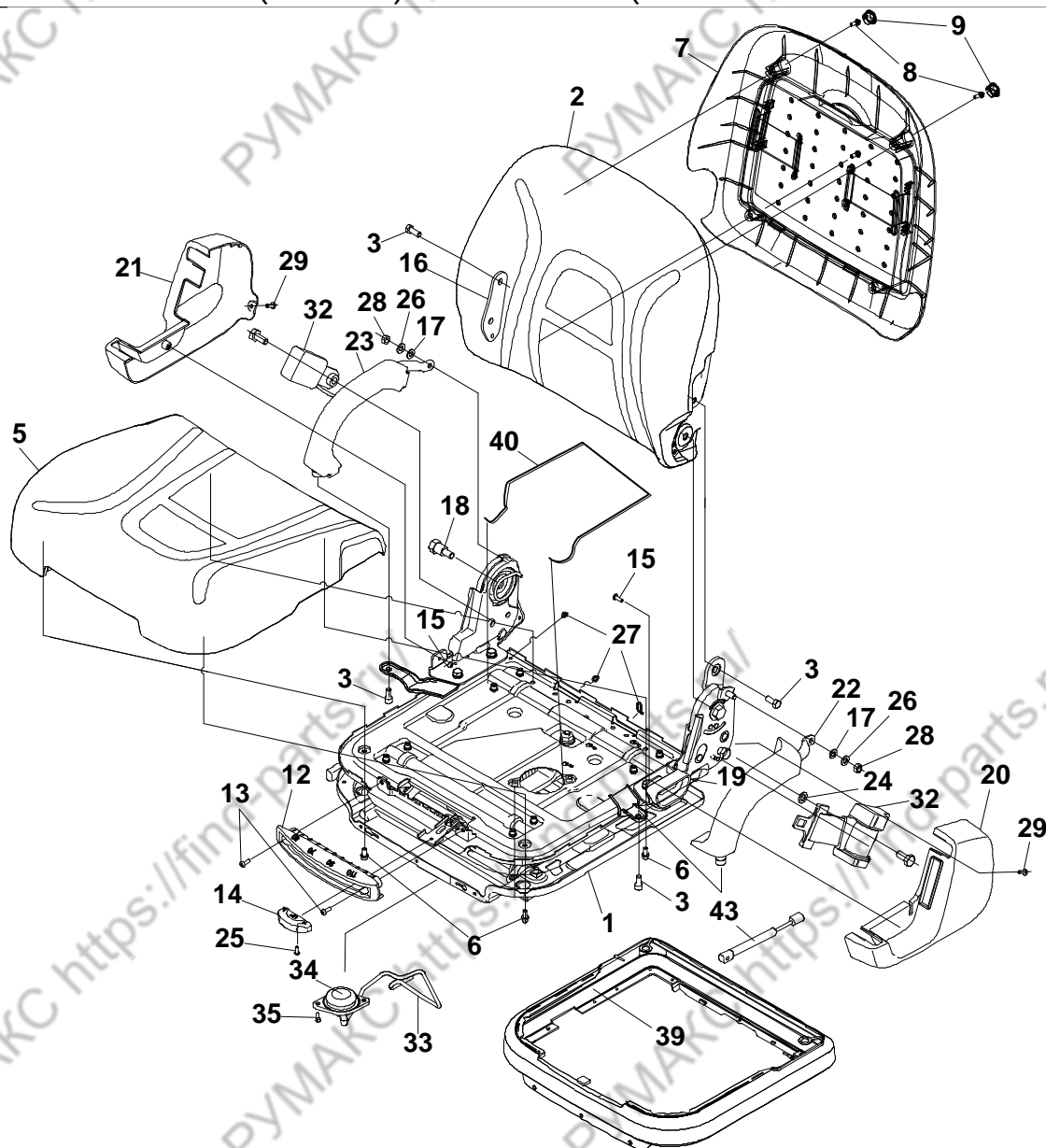
Seat As(A511058)
(Include Parts REF.NO 1 ~ 3)

D15/18S5 D20SC-5

FIG.6-060-0

A402587 Seat Gp - Suspension - NACD

NOTE	ITEM NO.	PART NUMBER	QTY	DESCRIPTION	CHANGE CODE	START SERIAL NO.				
						EMOUT	EMOUU	FDA01	FDA02	FDA
C	-	A511058	1	Seat As.(Vinyl) Hip Rest Type	N					
		110946-00064	1	Seat As.(Vinyl) Hip Rest Type (Include Parts Ref.No 1~35)						
	1	A172276	1	Cush Ass. ʘy						
	2	A172277	1	Back Ass. ʘy						
	3		4	Bolt						
	5	A172280	1	Pad Ass. ʘy-Cush						
	6		4	Socket Bolt						
	7	A172283	1	Cover Ass. ʘy-Back						
	8		4	Screw-RH						
	9	A172285	2	Cap						
	12	A172286	1	Cover-Weight Cont						
	13		2	Screw-RH						
	14	A172288	1	Knob-Weight Cont						
	15		2	Screw-RH						
	16		1	Support Bracket						
	17		2	Washer						
	18	A172292	1	Bolt-RH-Hinge						
	19		1	Knob-Recliner						
	20	A172294	1	Cover-Side-LH						
	21	A172295	1	Cover-Side-RH						
	22	A172296	1	Hip Rest Ass. ʘy-LH						
	23	A172297	1	Hip Rest Ass. ʘy-RH						
	24		1	Washer						
	25		1	Screw-RH						
	26		2	Washer						
	27		2	Cable-Tie						
	28		2	Nut						
	29		2	Screw-RH-Tap						
	32	A159235	1	Buckle Ass. ʘy						
	33		1	Harness Ass. ʘy-Seat						
	34	A154433	1	Switch Ass. ʘy						
	35		2	Screw						
	36	D910193	4	Bolt	N					
	C		120116-00009	4	Bolt					
		37	D913003	4	Nut-Lock					
		38	D917092	4	Washer					
39		A172312	1	Bellows						
C	40	A172313	1	Bar-Switch	N					
		110302-00223	1	Bar-Switch						
	41	D130843	1	Guide Rail Ass. ʘy-RH	R	0001-0100	0001-0113			
C		110922-00206	1	Guide Rail Ass. ʘy-RH		0101-	0114-			
	42	A159237	1	Guide Rail Ass. ʘy-LH	R	0001-0100	0001-0113			
C		110922-00205	1	Guide Rail Ass. ʘy-LH		0101-	0114-			
	43	A438005	1	Damper Ass. ʘy						

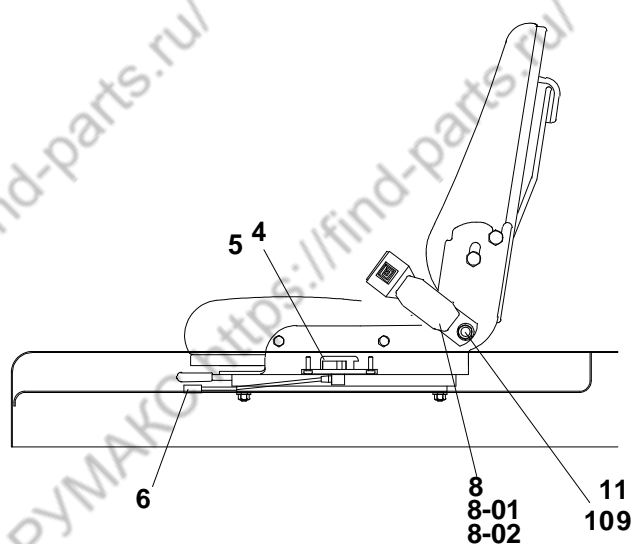
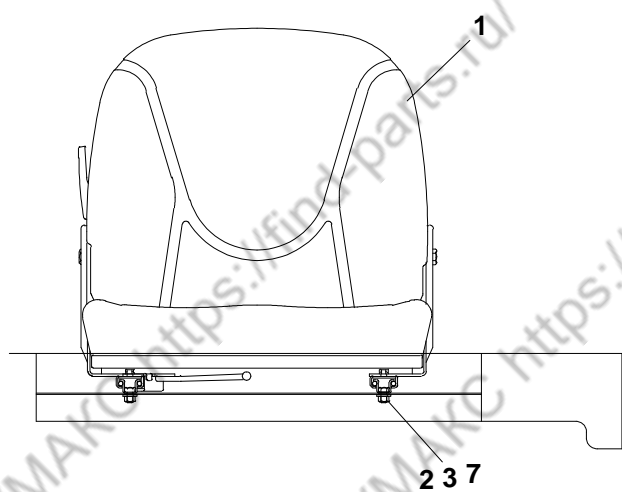


D15/18S5 D20SC-5

FIG.6-070-0

A402588 Seat Gp - Suspension - NACD

NOTE	ITEM NO.	PART NUMBER	QTY	DESCRIPTION	CHANGE CODE	START SERIAL NO.				
						EMOUT	EMOUU	FDA01	FDA02	FDA03
C	-	A511059	1	Seat As.(Cloth) Hip Rest Type	N					
		110946-00065	1	Seat As.(Cloth) Hip Rest Type (Include Parts Ref.No 1~35)						
	1	A172276	1	Cush Ass. ʘy						
	2	A172278	1	Back Ass. ʘy						
	3		4	Bolt						
	5	A172281	1	Pad Ass. ʘy-Cush						
	6		4	Socket Bolt						
	7	A172283	1	Cover Ass. ʘy-Back						
	8		4	Screw-RH						
	9	A172285	2	Cap						
	12	A172286	1	Cover-Weight Cont						
	13		2	Screw-RH						
	14	A172288	1	Knob-Weight Cont						
	15		2	Screw-RH						
	16		1	Support Bracket						
	17		2	Washer						
	18	A172292	1	Bolt-RH-Hinge						
	19		1	Knob-Recliner						
	20	A172294	1	Cover-Side-LH						
	21	A172295	1	Cover-Side-RH						
	22	A172296	1	Hip Rest Ass. ʘy-LH						
	23	A172297	1	Hip Rest Ass. ʘy-RH						
	24		1	Washer						
	25		1	Screw-RH						
	26		2	Washer						
	27		2	Cable-Tie						
	28		2	Nut						
	29		2	Screw-RH-Tap						
	32	A159235	1	Buckle Ass. ʘy						
	33	A524015	1	Harness Ass. ʘy-Seat						
	34	A154433	1	Switch Ass. ʘy						
	35	S3450953	2	Screw						
	36	D910193	4	Bolt	N					
	C		120116-00009	4	Bolt					
		37	D913003	4	Nut-Lock					
		38	D917092	4	Washer					
39		A172312	1	Bellows						
C		A172313	1	Bar-Switch	N					
		110302-00223	1	Bar-Switch						
C		D130843	1	Guide Rail Ass. ʘy-RH	R	0001~0100	0001~0113			
C		110922-00206	1	Guide Rail Ass. ʘy-RH		0101~	0114~			
		A159237	1	Guide Rail Ass. ʘy-LH	R	0001~0100	0001~0113			
C		110922-00205	1	Guide Rail Ass. ʘy-LH		0101~	0114~			
		A438005	1	Damper Ass. ʘy						

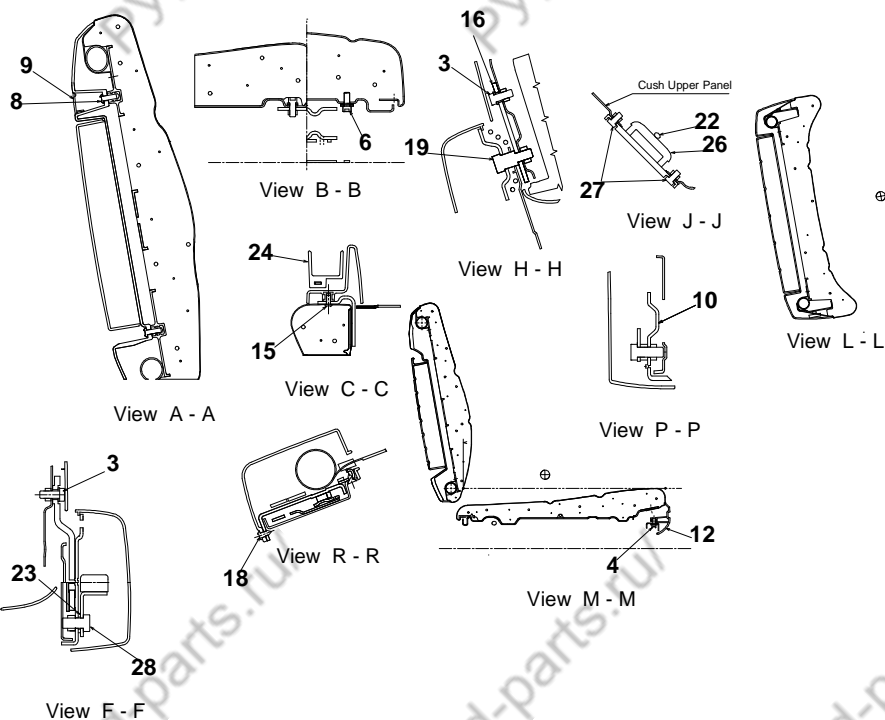
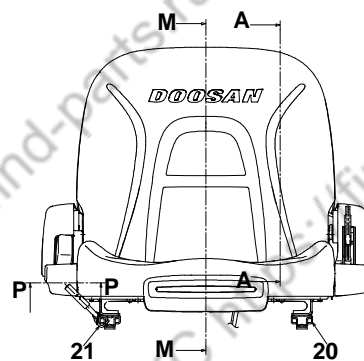
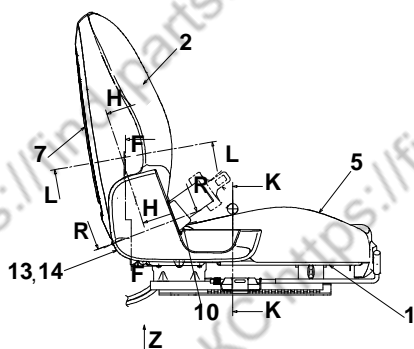
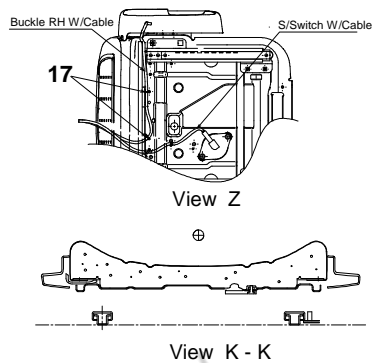
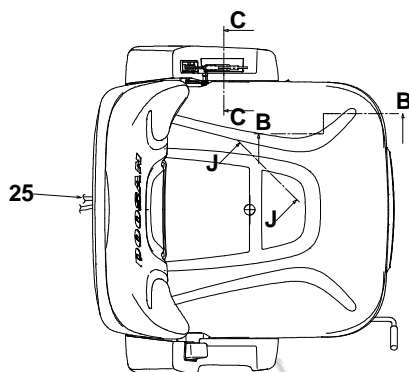


D15/18S5 D20SC-5

FIG.6-080-0

A402581 Seat Gp - Static - Retractable - Non NACD & NACD

NOTE	ITEM NO.	PART NUMBER	QTY	DESCRIPTION	CHANGE CODE	START SERIAL NO.					
						EM0UT	EM0UU	FDA01	FDA02	FDA03	-
C,Y	1	A159224	1	Static Seat As-STD(Vinyl)	N						
		110946-00058	1	Static Seat As-STD(Vinyl)							
	2	D910312	4	Bolt							
	3	D913003	4	Nut-Lock							
	4	A154433	1	Switch Ass. y							
	5	D910173	2	Bolt							
	6	A524015	1	Harness Ass. y-Seat							
	7	D917168	4	Washer							
	8	D700000	1	Restraint Gp							
	8-01	A250681	1	Restraint-Left							
	8-02	A250682	1	Restraint-Right							
9	S0515063	2	Bolt								
10	D917091	2	Washer								
11	D913010	2	Nut-Lock								

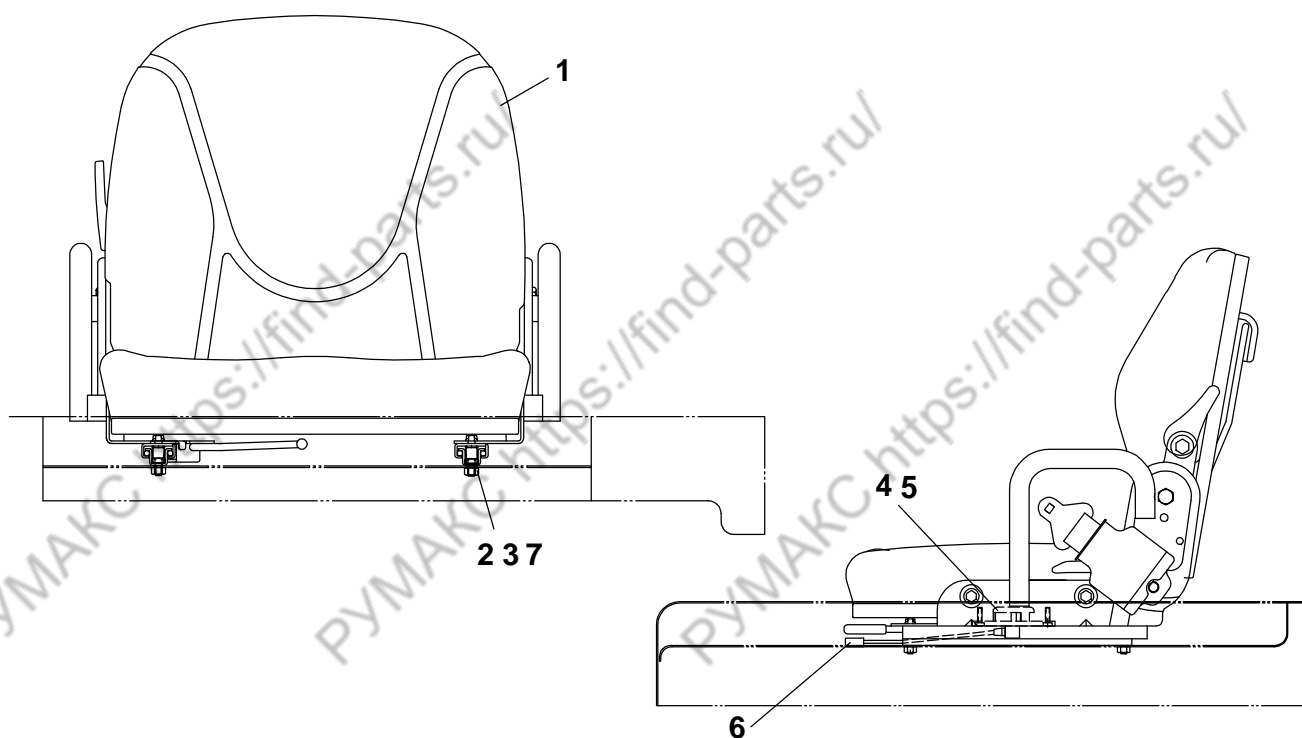


D15/18S5 D20SC-5

FIG.6-080-1

110946-00058 Static Seat Ass. y - STD(Vinyl)

NOTE	ITEM NO.	PART NUMBER	QTY	DESCRIPTION	CHANGE CODE	START SERIAL NO.					
						EM0UT	EM0UU	FDA01	FDA02	FDA03	-
	1	A159232	1	Cushion Assy							
	2	A159229	1	Seat Assy - Back							
	3	A172279	2	Bolt							
	4	A452481	3	Screw							
	5	A172280	1	Pad Assy							
	6	A172282	4	Socket - Bolt							
	7	A172283	1	Cover Assy							
	8	A172284	4	Screw							
	9	A172285	2	Cap							
	10	A159235	1	Belt -Seat, With Switch							
	12	A159231	1	Cover Assy							
	13	A172307	1	Cover Side-LH							
	14	A172308	1	Cover Side-RH							
	15	A172289	2	Screw							
	16	A172290	1	Support							
	17	A172301	4	Cable							
	18	A172303	2	Screw							
	19	A172292	1	Bolt							
	20	110922-00207	1	Guide Assy							
	21	110922-00208	1	Guide Assy							
	22	110302-00223	1	Bar - Switch							
	23	A172298	1	Washer							
	24	A172293	1	Knob							
	25	A524015	1	Harness Ass. y-Seat							
	26	A154433	1	Switch Ass. y							
	27	S3450953	2	Screw							
	28	D910089	1	Bolt							

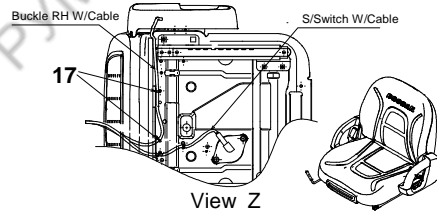
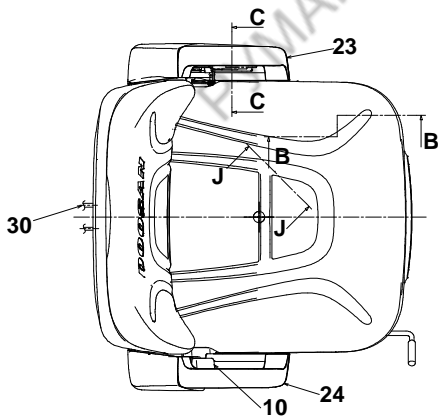


D15/18S5 D20SC-5

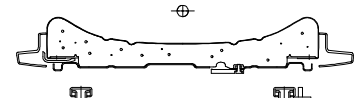
FIG.6-090-0

A402582 Seat Gp - Static - Parking Alarm - NACD

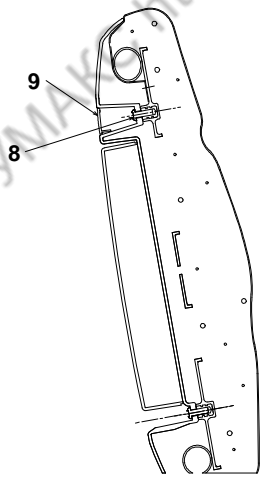
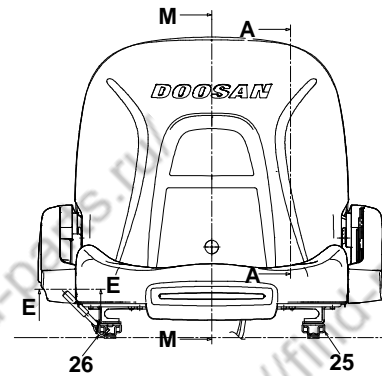
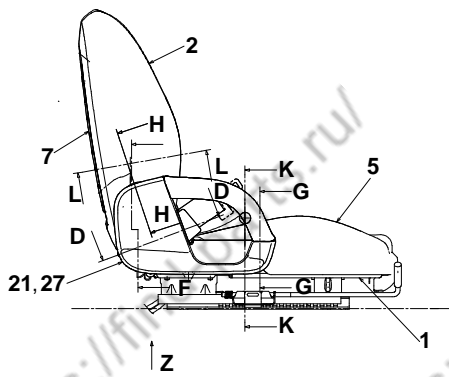
NOTE	ITEM NO.	PART NUMBER	QTY	DESCRIPTION	CHANGE CODE	START SERIAL NO.					
						EM0UT	EM0UU	FDA01	FDA02	FDA03	-
C,Y	1	A159225	1	Seat Ass. ʘy(NACD)	N						
		110946-00059	1	Seat Ass. ʘy(NACD)							
	2	D910312	4	Bolt							
	3	D913003	4	Nut							
	4	A154433	1	Switch Ass. ʘy							
	5	D910173	2	Screw							
	6	A524015	1	Harness Ass. ʘy							
7	D917168	4	Hard Washer								



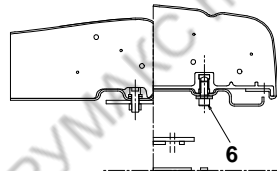
View Z



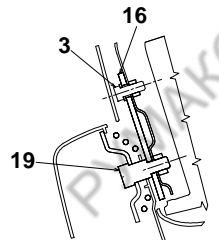
View K - K



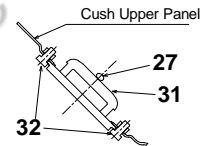
View A - A



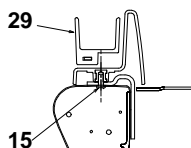
View B - B



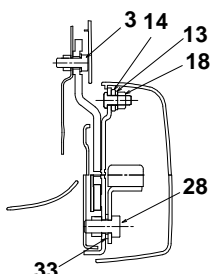
View H - H



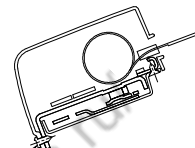
View G - G



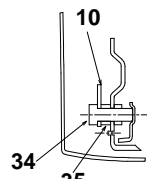
View C - C



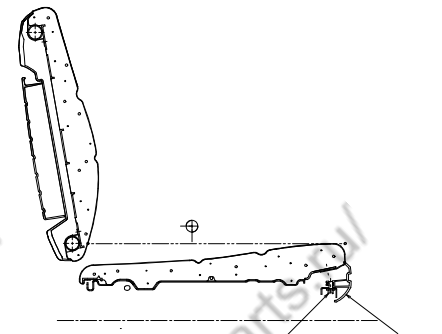
View F - F



View D - D



View E - E



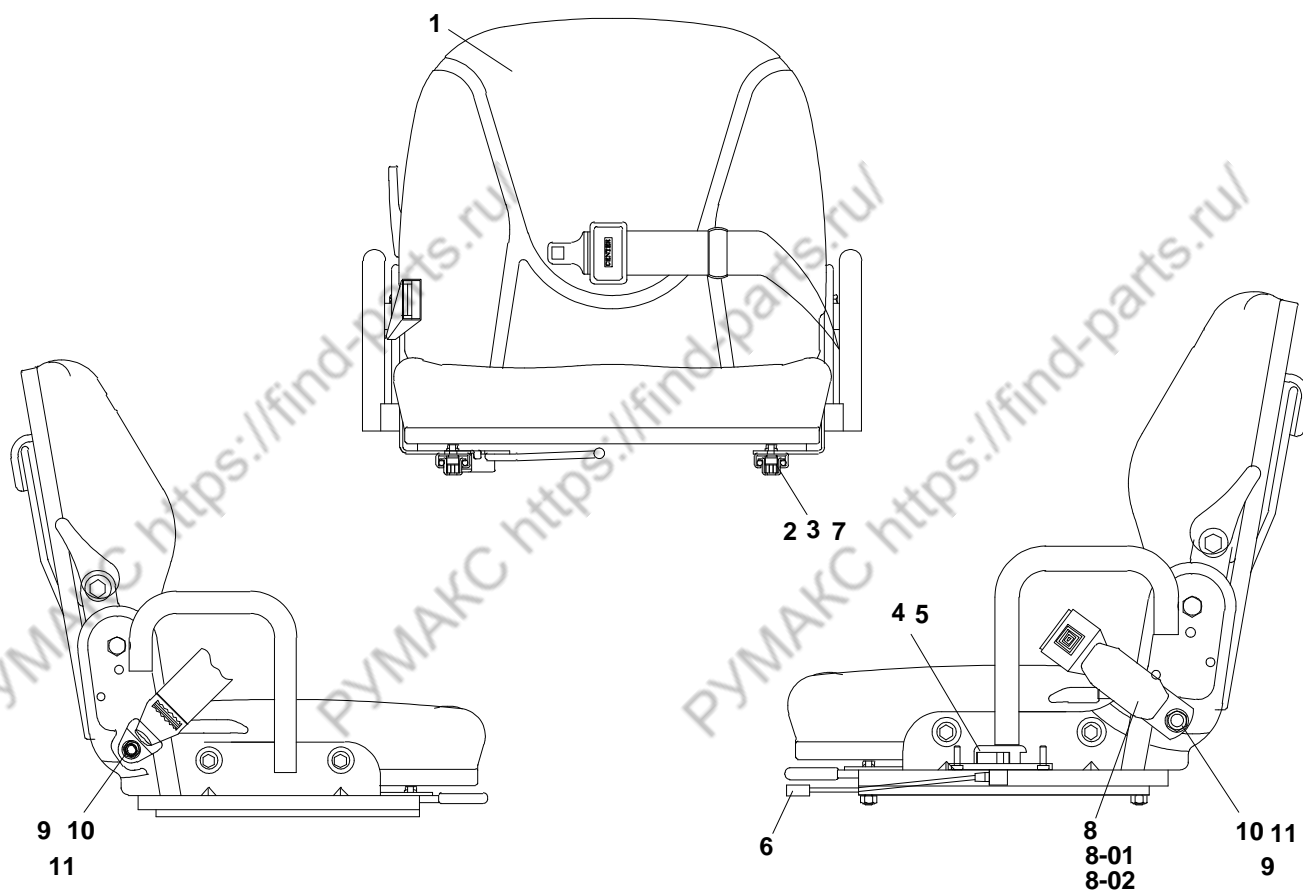
View M - M

D15/18S5 D20SC-5

FIG.6-090-1

110946-00059 Seat Gp - Static , NACD

NOTE	ITEM NO.	PART NUMBER	QTY	DESCRIPTION	CHANGE CODE	START SERIAL NO.					
						EMOUT	EM0UU	FDA01	FDA02	FDA03	-
	1	A159228	1	Cushion Assy							
	2	A159229	1	Seat Assy - Back (Vinyl)							
	3	A172279	4	Bolt							
	4	A452481	3	Screw							
	5	A172280	1	Pad Assy (Vinyl)							
	6	A172282	4	Socket - Bolt							
	7	A172283	1	Cover Assy							
	8	A172284	4	Screw							
	9	A172285	2	Cap							
	10	A159235	1	Belt -Seat, With Switch							
	12	A172303	2	Screw							
	13	A172300	2	Washer							
	14	A172291	2	Washer							
	15	A172289	2	Screw							
	16	A172290	1	Support							
	17	A159231	1	Cover Assy							
	18	A172302	2	Nut							
	19	A172292	1	Bolt							
	20	A172301	4	Cable							
	21	A172294	1	Cover Side-LH							
	22	A172295	1	Cover Side-RH							
	23	A172296	1	Hip Rest Ass. y-LH							
	24	A172297	1	Hip Rest Ass. y-RH							
	25	110922-00207	1	Guide Assy							
	26	110922-00208	1	Guide Assy							
	27	110302-00223	1	Bar - Switch							
	28	D910089	1	Bolt							
	29	A172293	1	Knob (Vinyl)							
	30	A524015	1	Harness Assy							
	31	A154433	1	Switch Ass. y							
	32	S3450953	2	Screw							
	33	A172298	1	Washer							

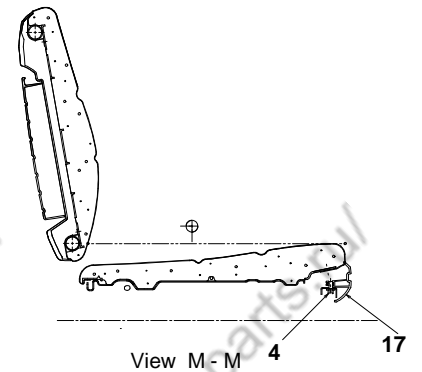
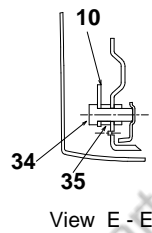
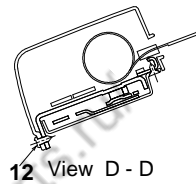
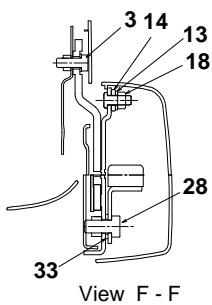
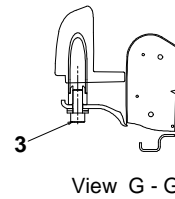
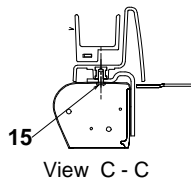
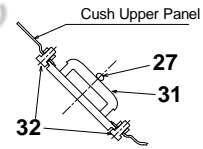
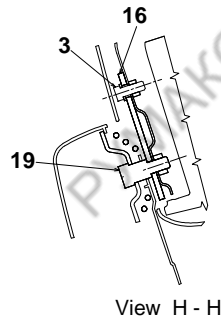
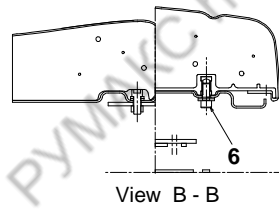
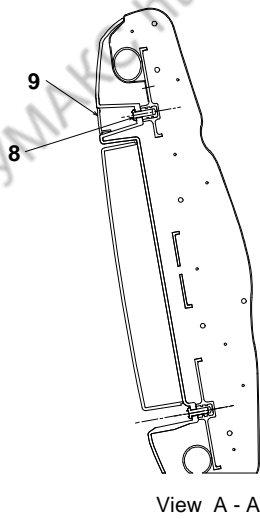
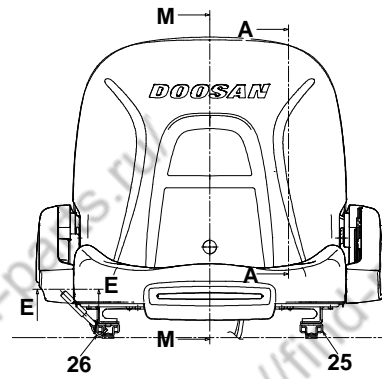
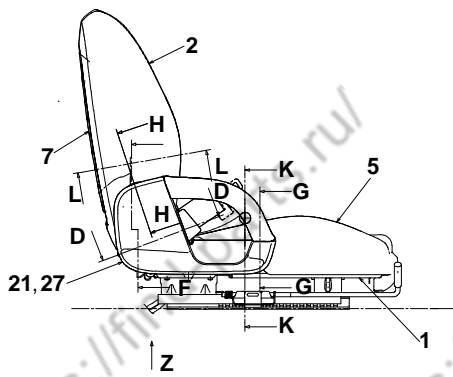
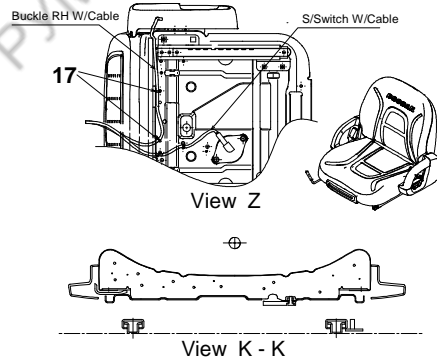
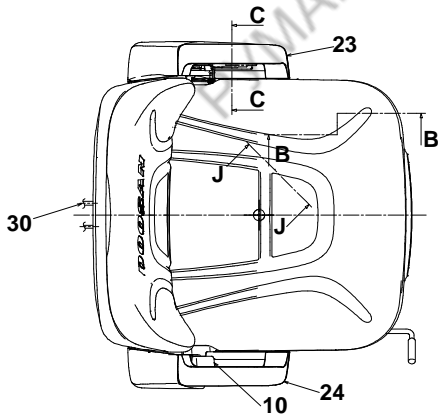


D15/18S5 D20SC-5

FIG.6-100-0

A402583 Seat Gp - Static - Cloth - NACD

NOTE	ITEM NO.	PART NUMBER	QTY	DESCRIPTION	CHANGE CODE	START SERIAL NO.					
						EM0UT	EM0UU	FDA01	FDA02	FDA03	-
C,Y	1	A159226	1	Seat Ass'y-Static(Cloth)	N						
		110946-00060	1	Seat Ass'y-Static(Cloth)							
	2	D910312	4	Bolt							
	3	D913003	4	Nut-Lock							
	4	A154433	1	Switch Ass. y							
	5	D910173	2	Bolt							
	6	A524015	1	Harness Ass. y-Seat							
	7	D917168	4	Washer							
	8	D700000	1	Restraint Gp							
	8-01	A250681	1	Restraint-Left							
	8-02	A250682	1	Restraint-Right							
9	S0515063	2	Bolt								
10	D917091	2	Washer								
11	D913010	2	Nut-Lock								

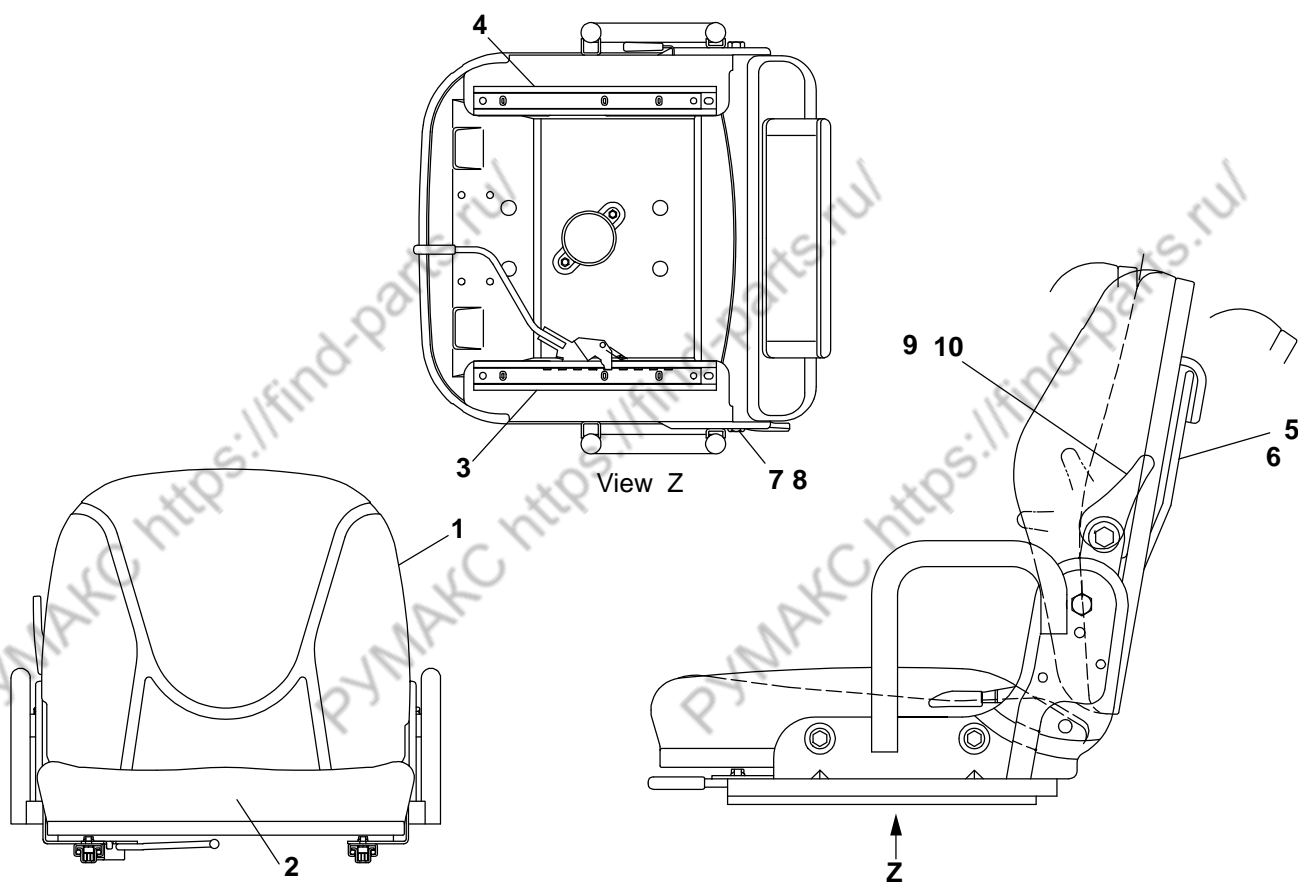


D15/18S5 D20SC-5

FIG.6-100-1

110946-00060 Static Seat Ass. ʘy - Hip Rest Type(Cloth/Non Logo)

NOTE	ITEM NO.	PART NUMBER	QTY	DESCRIPTION	CHANGE CODE	START SERIAL NO.					
						EM0UT	EM0UU	FDA01	FDA02	FDA03	-
	1	A159228	1	Cushion Assy							
	2	A172278	1	Seat Assy - Back (Cloth)							
	3	A172279	4	Bolt							
	4	A452481	3	Screw							
	5	A172281	1	Pad Assy (Cloth)							
	6	A172282	4	Socket - Bolt							
	7	A172283	1	Cover Assy							
	8	A172284	4	Screw							
	9	A172285	2	Cap							
	10	A159235	1	Belt -Seat, With Switch							
	12	A172303	2	Screw							
	13	A172300	2	Washer							
	14	A172291	2	Washer							
	15	A172289	2	Screw							
	16	A172290	1	Support							
	17	A159231	1	Cover Assy							
	18	A172302	2	Nut							
	19	A172292	1	Bolt							
	20	A172301	4	Cable							
	21	A172294	1	Cover Side-LH							
	22	A172295	1	Cover Side-RH							
	23	A172296	1	Hip Rest Ass. ʘy-LH							
	24	A172297	1	Hip Rest Ass. ʘy-RH							
	25	110922-00207	1	Guide Assy							
	26	110922-00208	1	Guide Assy							
	27	110302-00223	1	Bar - Switch							
	28	D910089	1	Bolt							
	30	A524015	1	Harness Assy							
	31	A154433	1	Switch Ass. ʘy							
	32	S3450953	2	Screw							
	33	A172298	1	Washer							

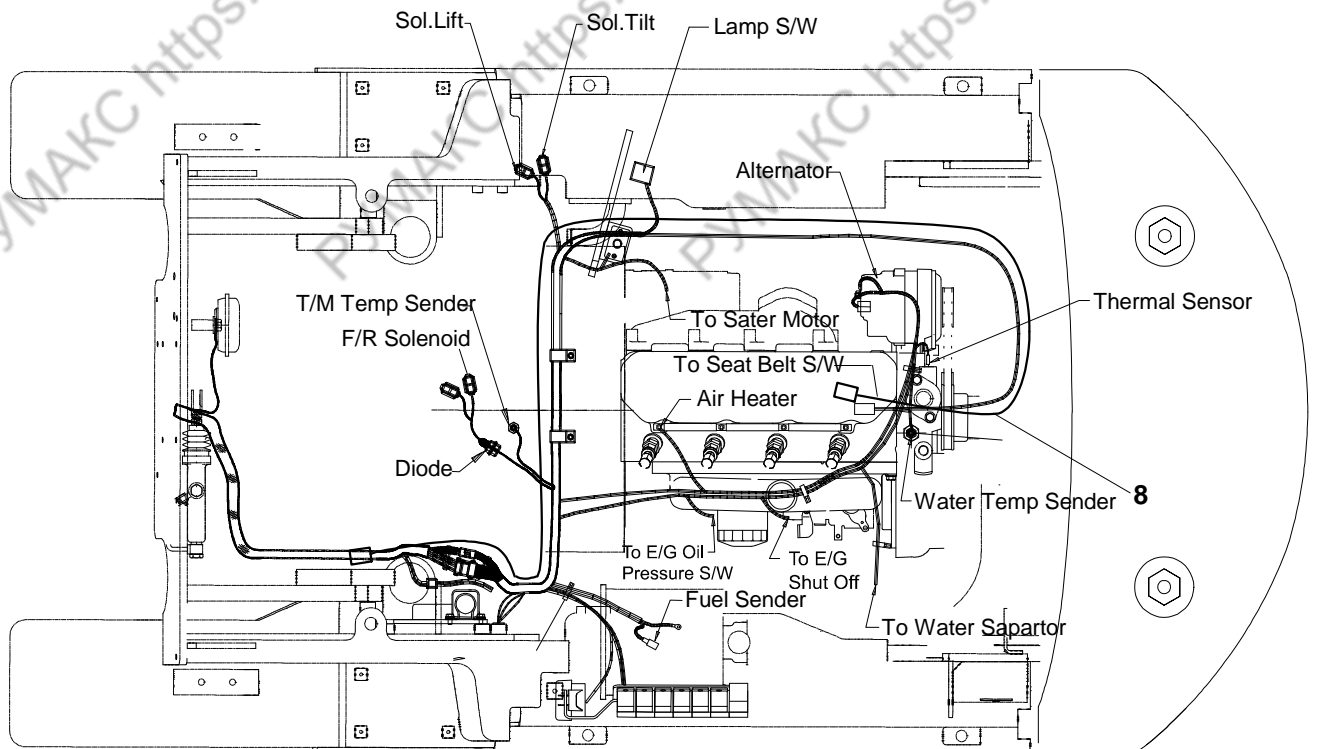
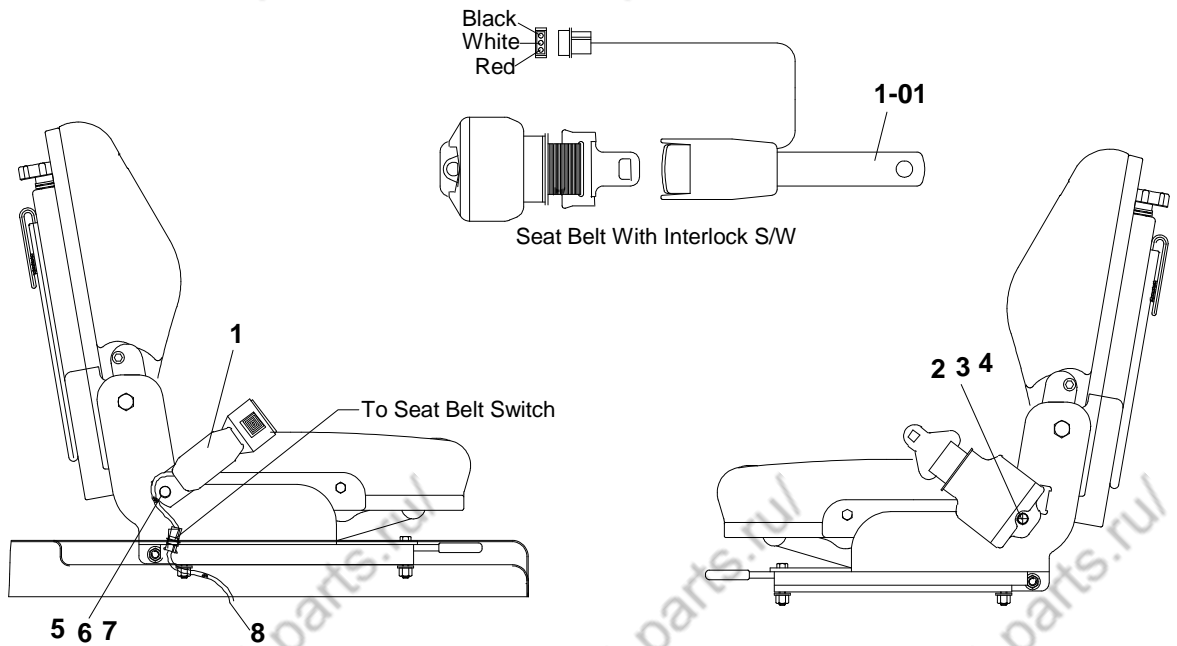


D15/18S5 D20SC-5

FIG.6-100-2

A152374 Seat Gp - Cloth - NACD

NOTE	ITEM NO.	PART NUMBER	QTY	DESCRIPTION	CHANGE CODE	START SERIAL NO.					
						EM0UT	EM0UU	FDA01	FDA02	FDA03	-
	1	A152197	1	Backrest Pad Ass. ʹy							
	2	A152196	1	Cushion Pad Ass. ʹy							
	3	D130842	1	Guide Rail Ass. ʹy-RH							
	4	D130843	1	Guide Ass. ʹy-LH							
	5	D130846	1	Pocket Ass. ʹy							
	6	D130847	7	Plastic Rivet							
	7	D131009	1	Bolt							
	8	D131010	2	Nut							
	9	A152113	1	Lever Lumber Sprt							
	10	S3450833	1	Screw-RH							



D15/18S5 D20SC-5

FIG.6-110-0

A321439 Seat Belt Indicator Gp - Non NACD & NACD

NOTE	ITEM NO.	PART NUMBER	QTY	DESCRIPTION	CHANGE CODE	START SERIAL NO.					
						EM0UT	EM0UU	FDA01	FDA02	FDA03	-
	1	A174706	1	Seat Belt Ass. ʘy							
	1-01	D820687	1	Seat Belt Switch							
	2	S0515063	1	Bolt							
	3	D917091	1	Washer							
	4	D913010	1	Nut-Lock							
	5	S0512063	1	Bolt							
	6	D917209	1	Washer							
	7	D913002	1	Nut-Lock							
	8	A334067	1	Lamp Ass. ʘy-Warning							

PYMAKC <https://find-parts.ru/>

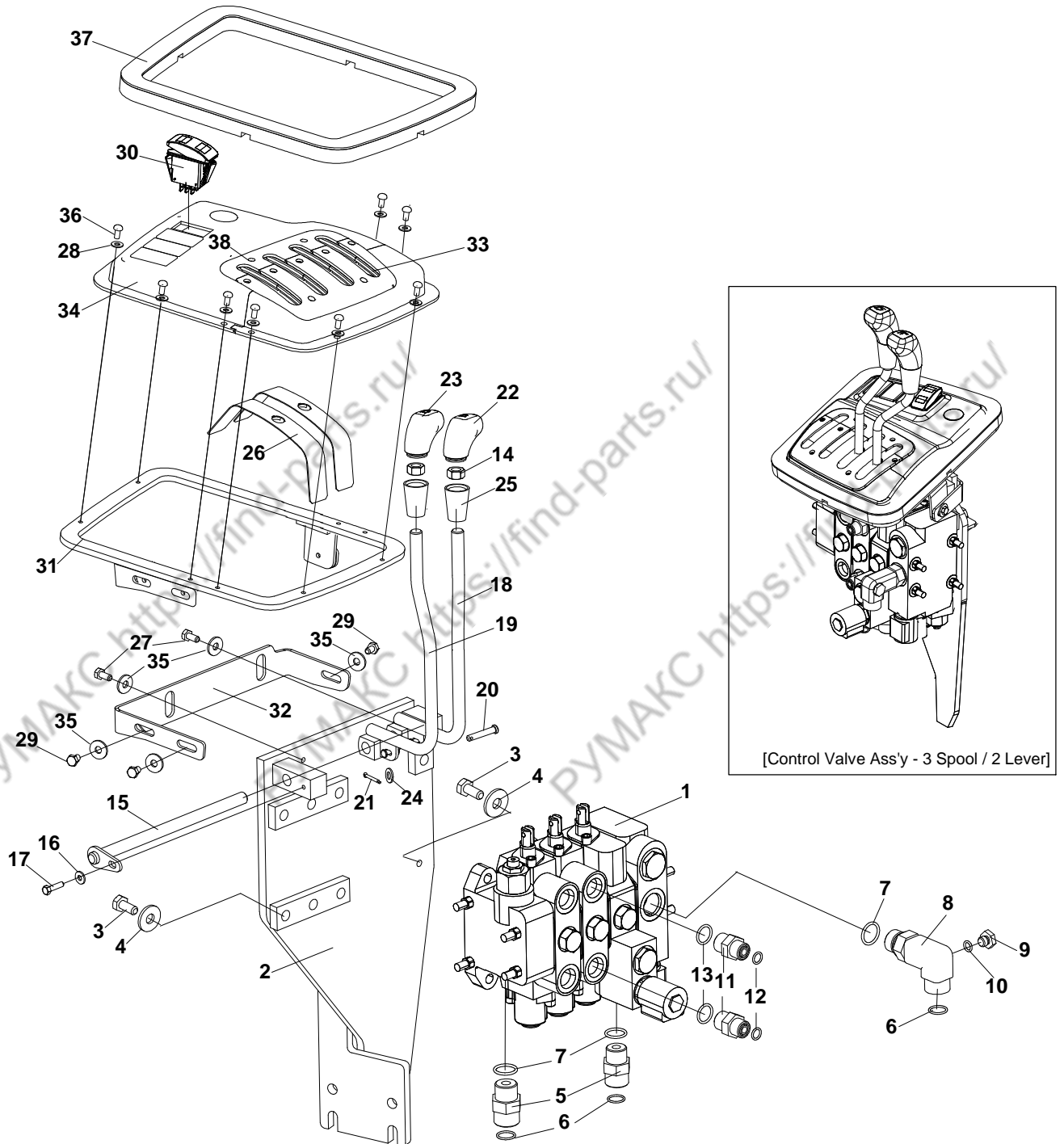
PYMAKC <https://find-parts.ru/>

PYMAKC <https://find-parts.ru/>

<https://find-parts.ru/>

<https://find-parts.ru/>

<https://find-parts.ru/>

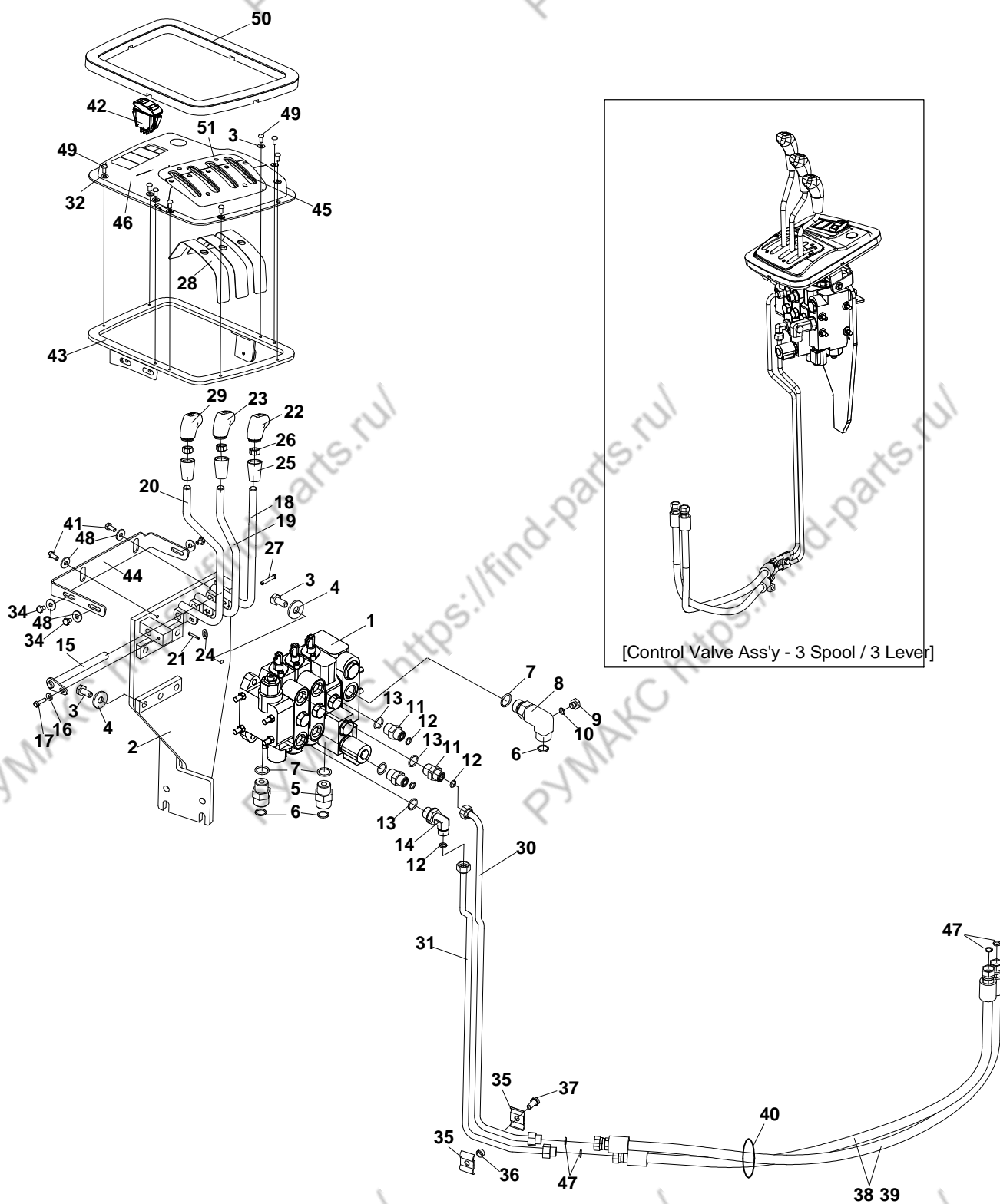


D15/18S5 D20SC-5

FIG.6-120-0

A381388 Valve Ar - 3 Section, 2 Lever

NOTE	ITEM NO.	PART NUMBER	QTY	DESCRIPTION	CHANGE CODE	START SERIAL NO.				
						EM0UT	EM0UU	FDA01	FDA02	FDA03
Z		A381469	1	Valve Gp-Control Valve Mounting						
Y	1	A385001	1	Valve Ass. ʘy-3 Section						
	2	A381464	1	Plate Ass. ʘy						
	3	S0512063	3	Bolt						
	4	D917093	3	Washer						
	5	D905009	2	Connector						
	6	S8030101	3	O-Ring						
	7	S8040101	3	O-Ring						
	8	DS2471002	1	Elbow Ass. ʘy						
	9	D909133	1	Plug						
	10	S8000081	1	O-Ring						
	11	D905011	2	Connector						
	12	S8030061	2	O-Ring						
	13	S8040081	2	O-Ring						
	14	S4012733	2	Nut						
	15	D700207	1	Shaft Ass. ʘy						
	16	D917194	1	Washer						
	17	S0551963	1	Bolt						
	18	A381106	1	Lever Ass. ʘy-Lift						
	19	A381107	1	Lever Ass. ʘy-Tilt						
	20	D600117	2	Pin						
	21	S5735061	2	Pin-Cotter						
	22	A501486	1	Knob Ass. ʘy-Lift						
	23	A501487	1	Knob Ass. ʘy-Tilt						
	24	D917009	2	Washer						
	25	A158727	2	Knob-Boot						
	26	A402410	2	Film-C/V Lever						
	27	S0504563	2	Bolt						
	28	S5000213	8	Washer						
	29	S0504363	3	Bolt						
	30	A404110	1	Switch Ass. ʘy-Rocker						
	31	A381466	1	Plate Ass. ʘy						
	32	A381467	1	Bracket						
	33	A402411	2	Film-C/V						
	34	A401973	1	Cover Ass. ʘy						
	35	D917021	5	Washer						
	36	S3450823	8	Screw						
	37	A402748	1	Foam-Hood & V/V Cover						
	38	S3450343	9	Screw						

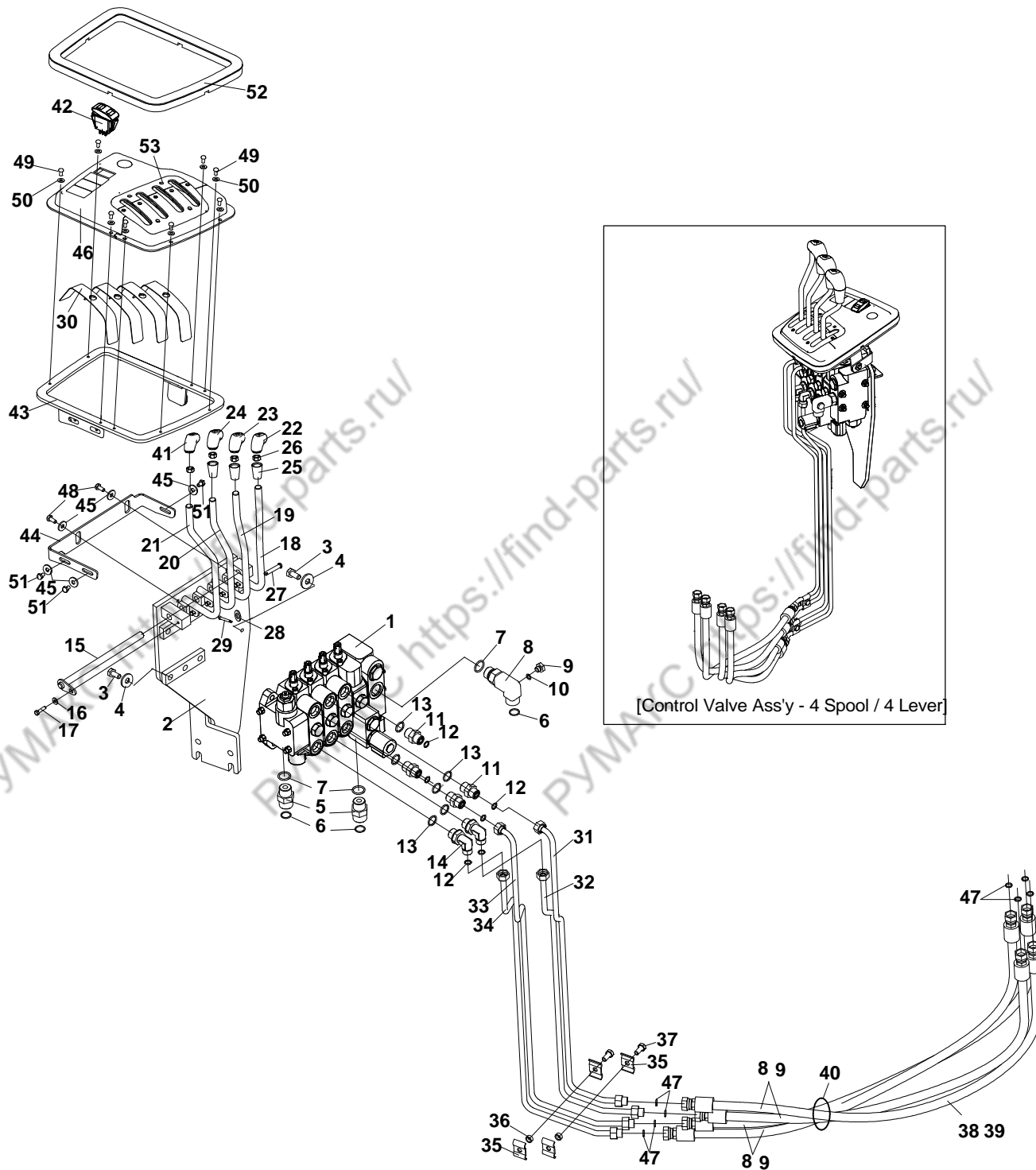


D15/18S5 D20SC-5

FIG.6-130-0

A381389 Valve Ar - 3 Section, 3 Lever

NOTE	ITEM NO.	PART NUMBER	QTY	DESCRIPTION	CHANGE CODE	START SERIAL NO.					
						EM0UT	EM0UU	FDA01	FDA02	FDA03	-
Z		A381470	1	Valve Gp-Control Valve Mounting							
Y	1	A385001	1	Valve Ass. ½y-3 Section							
	2	A381464	1	Plate Ass. ½y							
	3	S0512063	3	Bolt							
	4	D917093	3	Washer							
	5	D905009	2	Connector							
	6	S8030101	3	O-Ring							
	7	S8040101	3	O-Ring							
	8	DS2471002	1	Elbow Ass. ½y							
	9	D909133	1	Plug							
	10	S8000081	1	O-Ring							
	11	D905011	3	Connector							
	12	S8030061	4	O-Ring							
	13	S8040081	4	O-Ring							
	14	D902163	1	Elbow							
	15	D700207	1	Shaft Ass. ½y							
	16	D917194	1	Washer							
	17	S0551963	1	Bolt							
	18	A381106	1	Lever Ass. ½y-Lift							
	19	A381109	1	Lever Ass. ½y-4 Way							
	20	A381322	1	Lever Ass. ½y-3 Way							
	21	S5735061	3	Pin-Cotter							
	22	A501486	1	Knob Ass. ½y-Lift							
	23	A501487	1	Knob Ass. ½y-Tilt							
	24	D917009	3	Washer							
	25	A158727	3	Knob-Boot							
	26	S4012733	3	Nut							
	27	D600117	3	Pin							
	28	A402410	3	Film-C/V Lever							
	29	A501488	1	Knob Ass. ½y-Side Shift							
	30	A381244	1	Tube Ass. ½y-3 Way Up							
	31	A381245	1	Tube Ass. ½y-4 Way Down							
	32	S5000213	8	Washer							
	34	S0504363	3	Bolt							
	35	D900028	2	Clamp							
	36	D700208	1	Spacer							
	37	S0508763	1	Bolt							
	38	A215219	2	Hose Ass. ½y							
E	39	D164430	100	Protector-Hose							
	40	D320087	1	Strap							
	41	S0504563	2	Bolt							
	42	A404110	1	Switch Ass. ½y-Rocker							
	43	A381466	1	Plate Ass. ½y							
	44	A381467	1	Bracket							
	45	A402411	1	Film-C/V							
	46	A401973	1	Cover Ass. ½y							
	47	S8030061	4	O-Ring							
	48	D917021	5	Washer							
	49	S3450823	8	Screw							
	50	A402748	1	Foam-Hood & V/V Cover							
	51	S3450343	9	Screw							

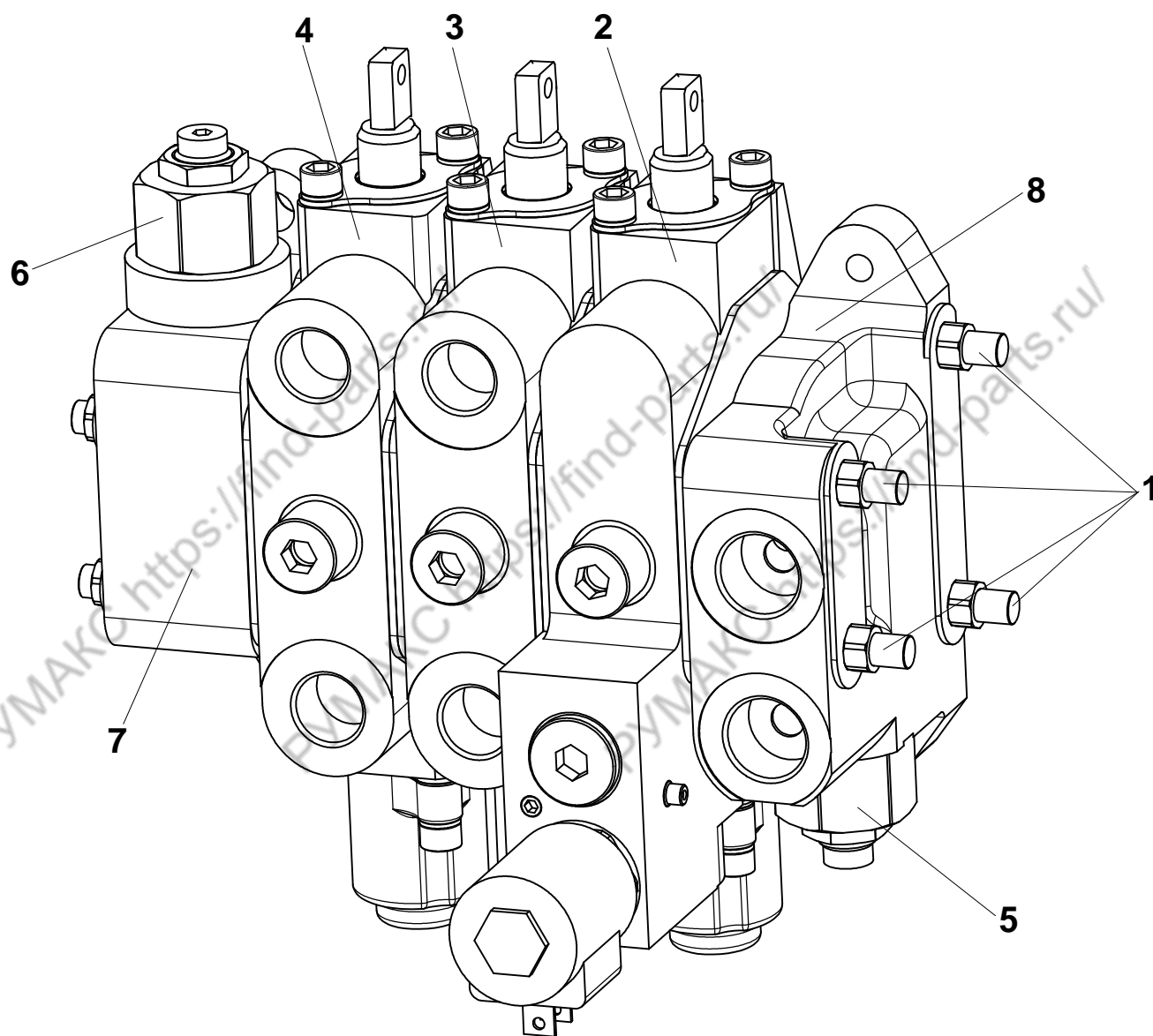


D15/18S5 D20SC-5

FIG.6-140-0

A381221 Valve Ar - 4 Section, 4 Lever

NOTE	ITEM NO.	PART NUMBER	QTY	DESCRIPTION	CHANGE CODE	START SERIAL NO.					
						EM0UT	EM0UU	FDA01	FDA02	FDA03	-
Z		A381471	1	Valve Gp-Control Valve Mounting							
Y	1	A385002	1	Valve Ass. 7y-4 Section							
	2	A381464	1	Plate Ass. 7y							
	3	S0512063	3	Bolt							
	4	D917093	3	Washer							
	5	D905009	2	Connector							
	6	S8030101	3	O-Ring							
	7	S8040101	3	O-Ring							
	8	DS2471002	1	Elbow Ass. 7y							
	9	D909133	1	Plug							
	10	S8000081	1	O-Ring							
	11	D905011	4	Connector							
	12	S8030061	6	O-Ring							
	13	S8040081	6	O-Ring							
	14	D902163	2	Elbow							
	15	D700207	1	Shaft Ass. 7y							
	16	D917194	1	Washer							
	17	S0551963	1	Bolt							
	18	A381106	1	Lever Ass. 7y-Lift							
	19	A381107	1	Lever Ass. 7y-Tilt							
	20	A381108	1	Lever Ass. 7y-3 Way							
	21	A381109	1	Lever Ass. 7y-4 Way							
	22	A501486	1	Knob Ass. 7y-Lift							
	23	A501488	1	Knob Ass. 7y-Side Shift							
	24	A501487	1	Knob Ass. 7y-Tilt							
	25	A158727	3	Knob-Boot							
	26	S4012733	4	Nut							
	27	D600117	4	Pin							
	28	D917009	4	Washer							
	29	S5735061	4	Pin-Cotter							
	30	A402410	4	Film-C/V Lever							
	31	A381244	1	Tube Ass. 7y-3 Way Up							
	32	A381245	1	Tube Ass. 7y-4 Way Down							
	33	A381246	1	Tube Ass. 7y-4 Way Up							
	34	A381247	1	Tube Ass. 7y-4 Way Down							
	35	D900028	4	Clamp							
	36	D700208	2	Spacer							
	37	S0508763	2	Bolt							
	38	A215219	4	Hose Ass. 7y							
E	39	D164430	200	Protector-Hose							
	40	D320087	1	Strap							
	41	A501493	1	Package Knob							
	42	A404110	1	Switch Ass. 7y-Rocker							
	43	A381466	1	Plate Ass. 7y							
	44	A381467	1	Bracket							
	45	D917021	5	Washer							
	46	A401973	1	Cover Ass. 7y							
	47	S8030061	8	O-Ring							
	48	S0504563	2	Bolt							
	49	S3450823	8	Screw							
	50	S5000213	8	Washer							
	51	S0504363	3	Bolt							
	52	A402748	1	Foam-Hood & V/V Cover							
	53	S3450343	9	Screw							

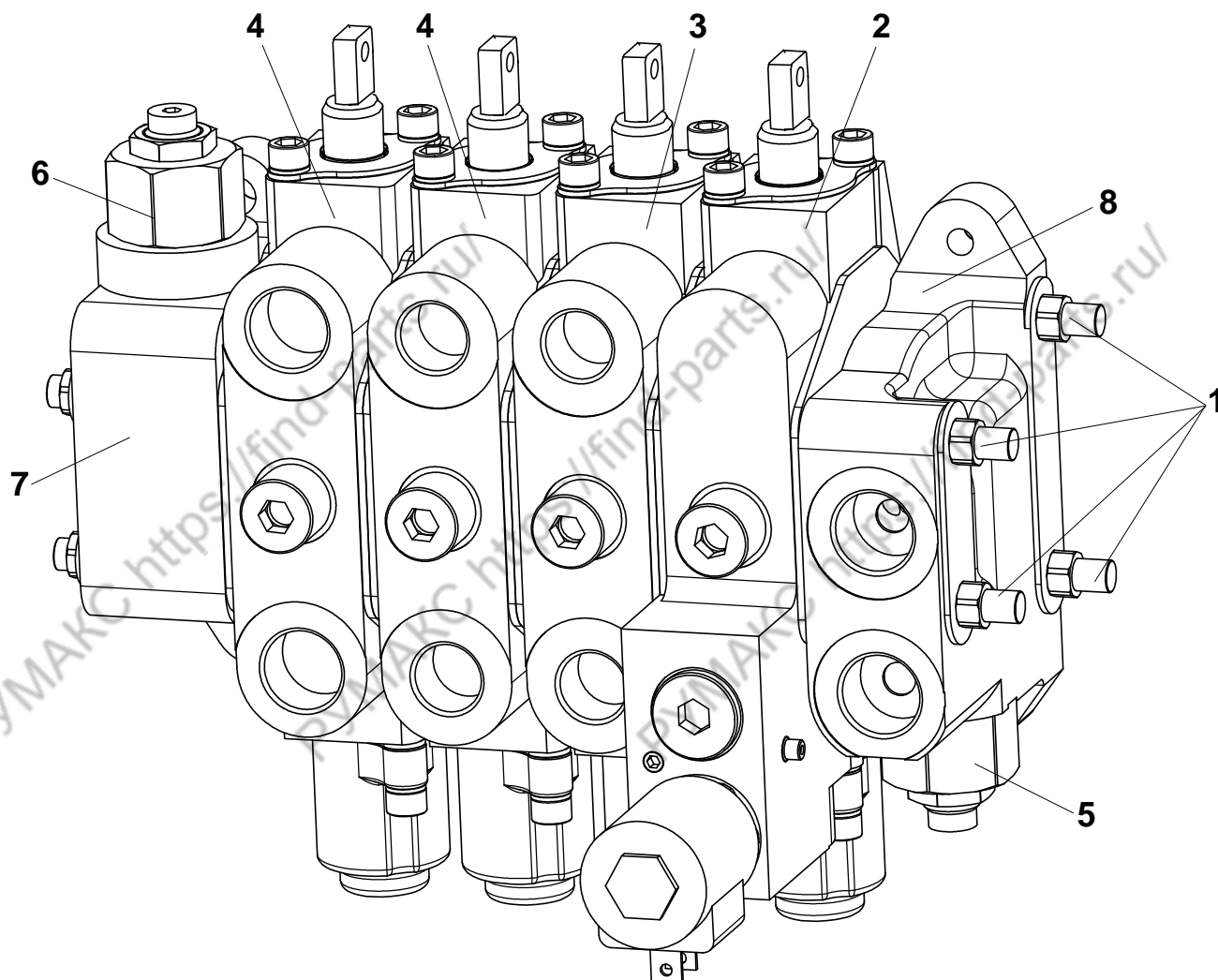


D15/18S5 D20SC-5

FIG.6-150-0

A385001 Valve Ass. 7y - 3 Section

NOTE	ITEM NO.	PART NUMBER	QTY	DESCRIPTION	CHANGE CODE	START SERIAL NO.					
						EM0UT	EM0UU	FDA01	FDA02	FDA03	-
	1	D513759	1	Kit-Tie Rod-3							
Y	2	D513749	1	Valve Gp-Section-Lift							
Y	3	D513750	1	Valve Gp-Section-Tilt							
Y	4	D513756	1	Valve Gp-Section-Aux							
	5	D513755	1	Valve Ass. 7y-Relief(Main)							
	6	D513760	1	Valve Ass. 7y-Relief(Secondary)							
Y	7	D513757	1	Section Gp-Outlet							
Y	8	D513748	1	Section Gp-Inlet							

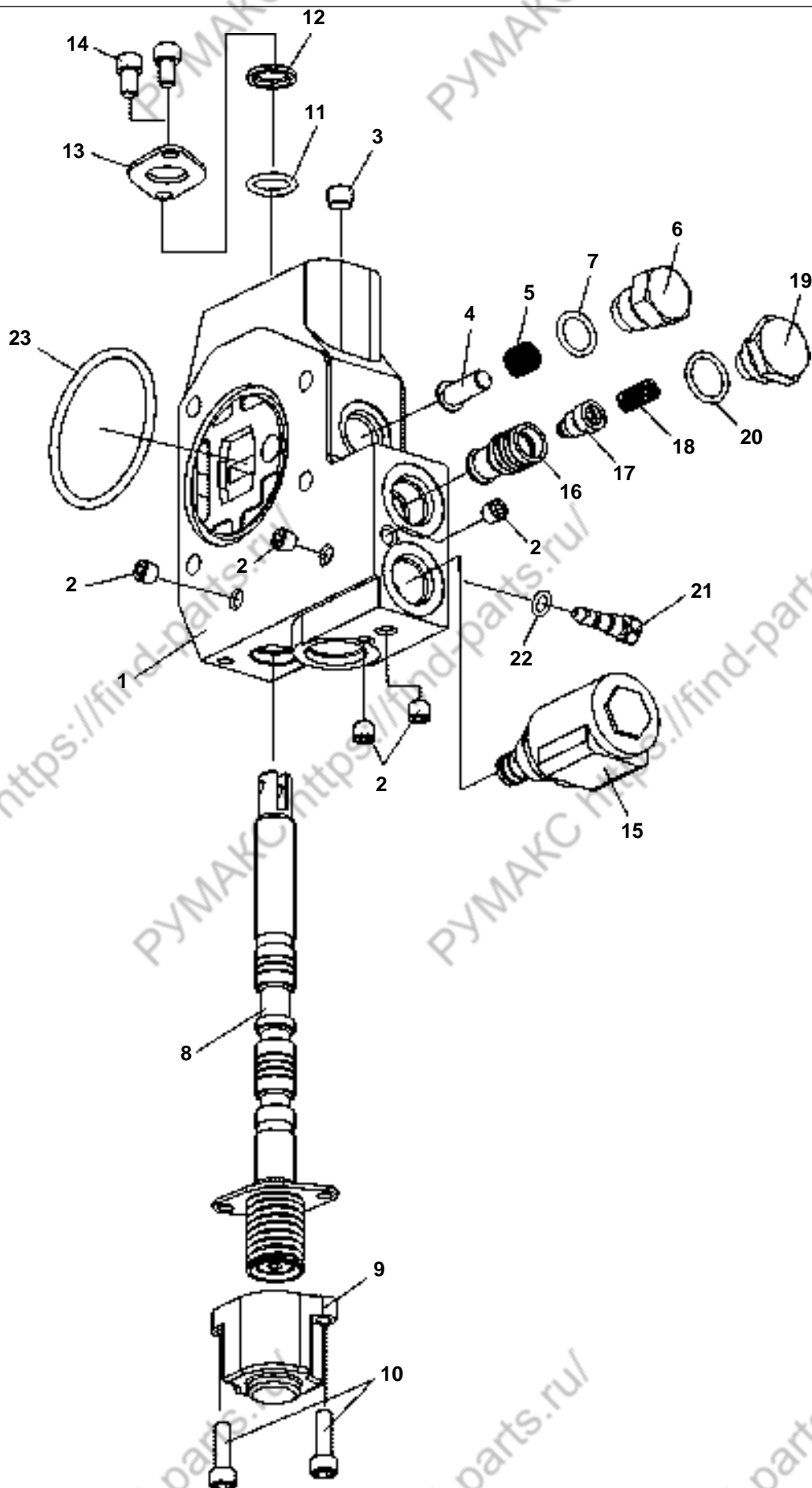


D15/18S5 D20SC-5

FIG.6-160-0

A385002 Valve Ass. 7y - 4 Section

NOTE	ITEM NO.	PART NUMBER	QTY	DESCRIPTION	CHANGE CODE	START SERIAL NO.					
						EM0UT	EM0UU	FDA01	FDA02	FDA03	-
	1	D513841	1	Kit-Tie Rod-4							
Y	2	D513749	1	Valve Gp-Section-Lift							
Y	3	D513750	1	Valve Gp-Section-Tilt							
Y	4	D513756	2	Valve Gp-Section-Aux							
	5	D513755	1	Valve Ass. 7y-Relief(Main)							
	6	D513760	1	Valve Ass. 7y-Relief(Secondary)							
Y	7	D513757	1	Section Gp-Outlet							
Y	8	D513748	1	Section Gp-Inlet							

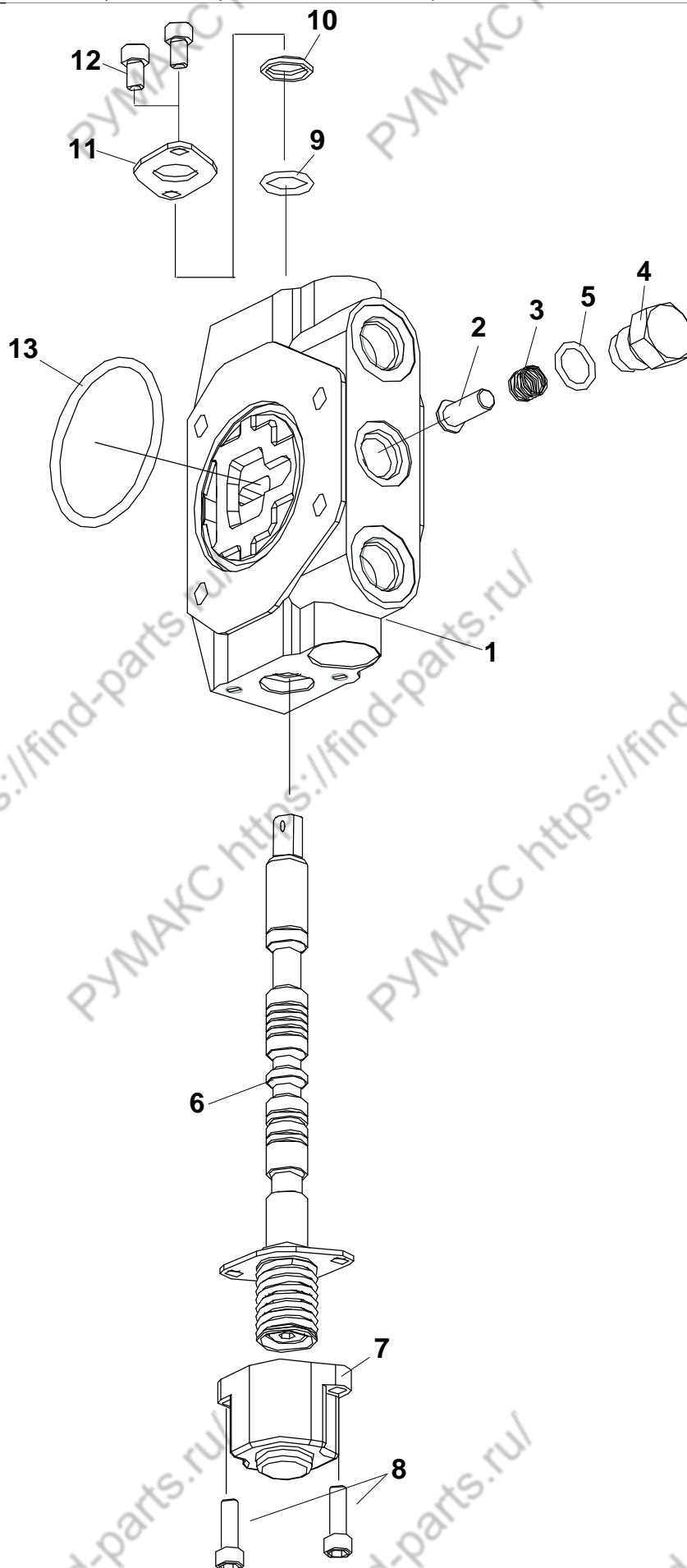


D15/18S5 D20SC-5

FIG.6-170-1

D513749 Valve Gp - Section - Lift

NOTE	ITEM NO.	PART NUMBER	QTY	DESCRIPTION	CHANGE CODE	START SERIAL NO.					
						EM0UT	EM0UU	FDA01	FDA02	FDA03	-
	1		1	Block-CA Type							
	2		5	Set Screw							
	3		1	Set Screw							
	4		1	Poppet-Load Check							
	5		1	Spring-Load Check							
	6		1	Plug-Load Check							
J	7		1	O-Ring							
	8		1	Spool Ass. 3/4-Lift							
	9		1	Cap-Return							
	10		2	Bolt-Socket							
J	11		1	O-Ring							
J	12		1	Dust Wiper							
	13		1	Plate-Seal							
	14		2	Bolt							
	15	D513502	1	Solenoid Valve							
	16		1	Poppet-Lift Lock							
	17		1	Orifice-Lift Lock							
	18		1	Spring-Lift Lock							
	19		1	Plug-Lift Lock							
J	20		1	O-Ring							
	21		1	Plug-Emergency							
J	22		1	O-Ring							
J	23		1	O-Ring							
		D513833	1	Kit-Seal (Includes Parts Marked J)							

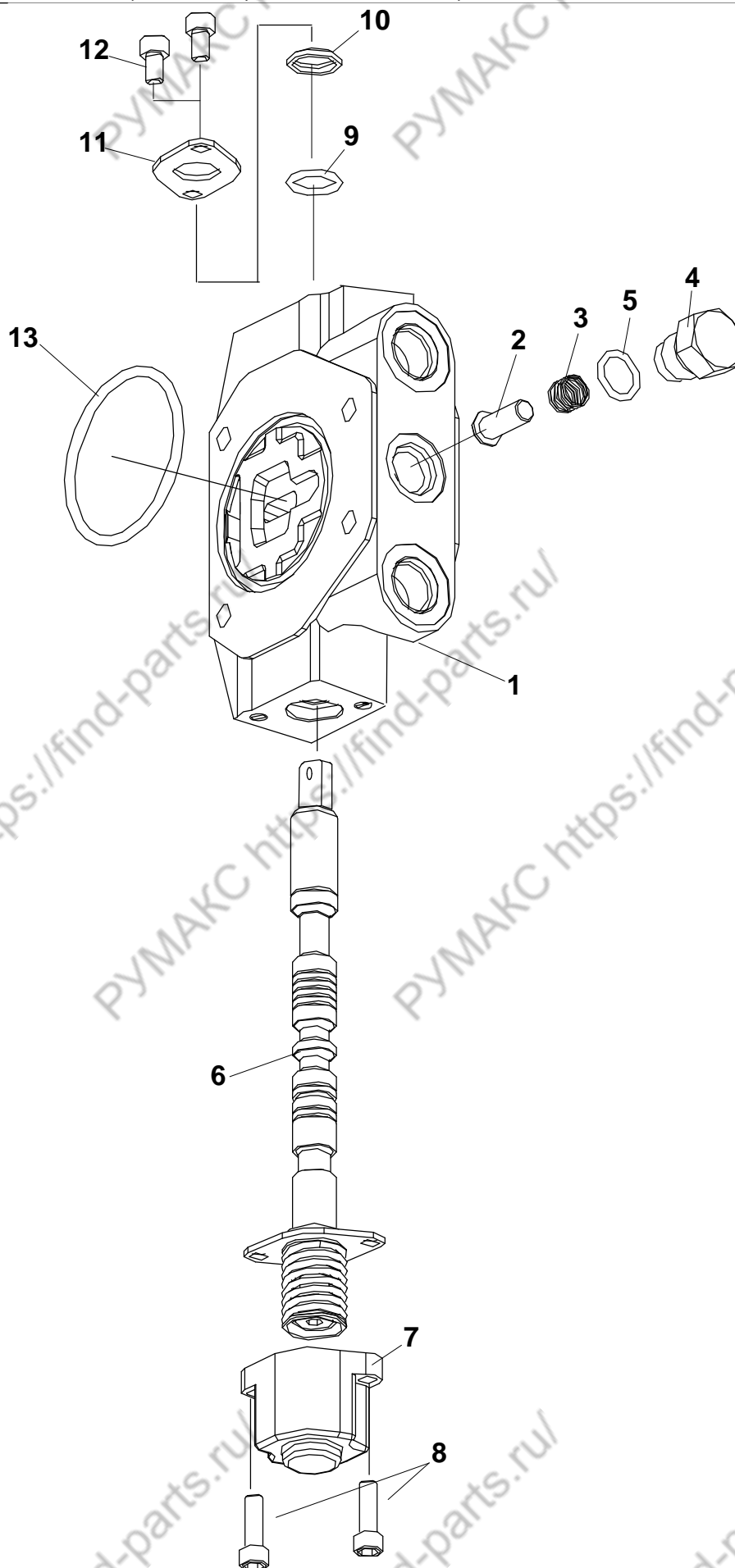


D15/18S5 D20SC-5

FIG.6-170-2

D513750 Valve Gp - Section - Tilt

NOTE	ITEM NO.	PART NUMBER	QTY	DESCRIPTION	CHANGE CODE	START SERIAL NO.					
						EM0UT	EM0UU	FDA01	FDA02	FDA03	-
	1		1	Block-HC Type							
	2		1	Poppet-Load Check							
	3		1	Spring-Load Check							
	4		1	Plug-Load Check							
J	5		1	O-Ring							
	6		1	Spool Ass. 7y-Tilt							
	7		1	Cap-Return							
	8		1	Bolt-Socket							
J	9		1	O-Ring							
J	10		1	Dust Wiper							
	11		1	Plate-Seal							
	12		2	Bolt							
J	13		1	O-Ring							
		D513831	1	Kit-Seal (Includes Parts Marked J)							

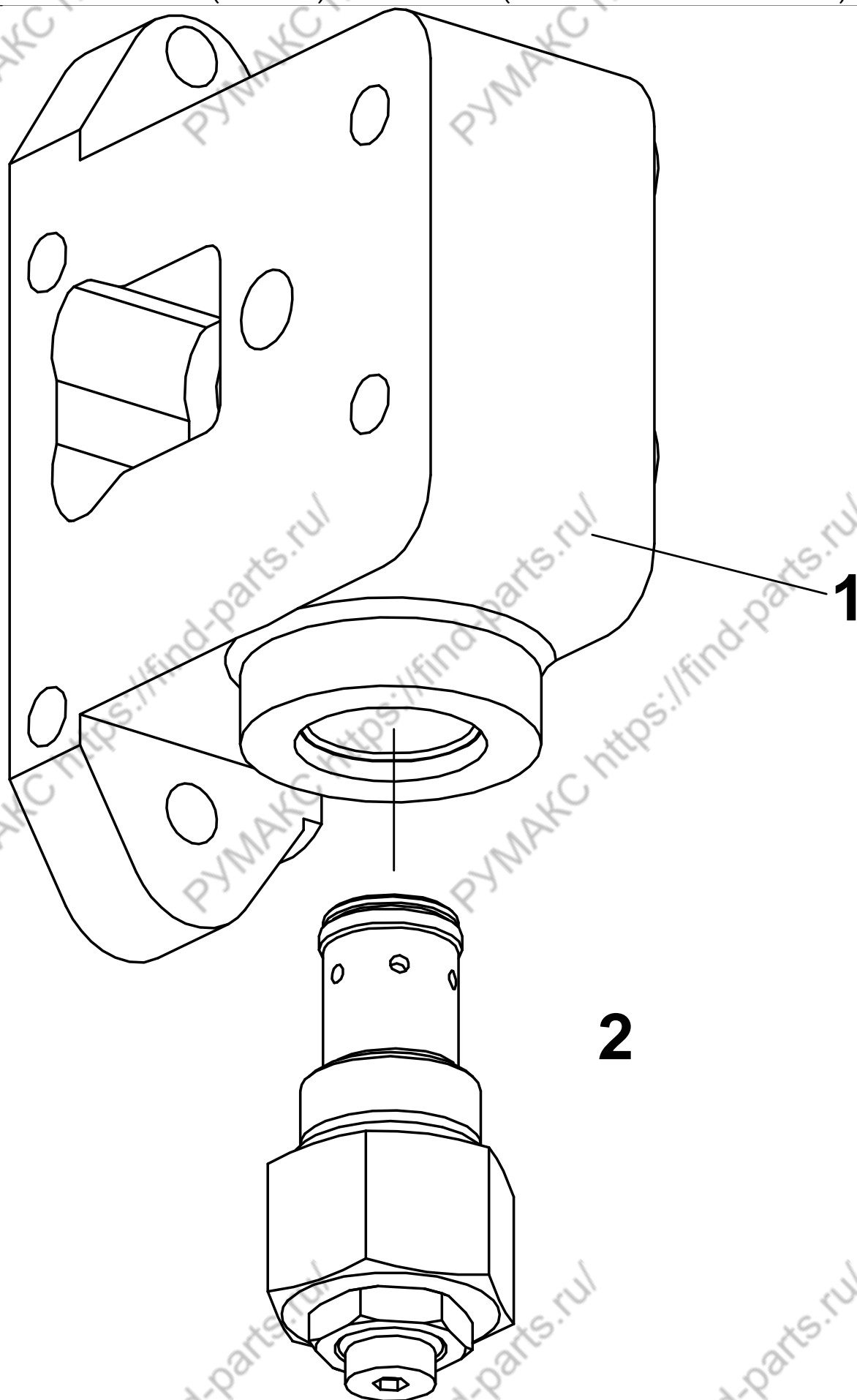


D15/18S5 D20SC-5

FIG.6-170-3

D513756 Valve Gp - Section - Aux 1 & 2

NOTE	ITEM NO.	PART NUMBER	QTY	DESCRIPTION	CHANGE CODE	START SERIAL NO.					
						EM0UT	EM0UU	FDA01	FDA02	FDA03	-
	1		1	Block-ED Type							
	2		1	Poppet-Load Check							
	3		1	Spring-Load Check							
	4		1	Plug-Load Check							
J	5		2	O-Ring							
	6		1	Spool Ass. 7y-Aux							
	7		1	Cap-Return							
	8		1	Bolt-Socket							
J	9		1	O-Ring							
J	10		1	Dust Wiper							
	11		1	Plate-Seal							
	12		2	Bolt							
J	13		1	O-Ring							
		D513831	1	Kit-Seal (Includes Parts Marked J)							

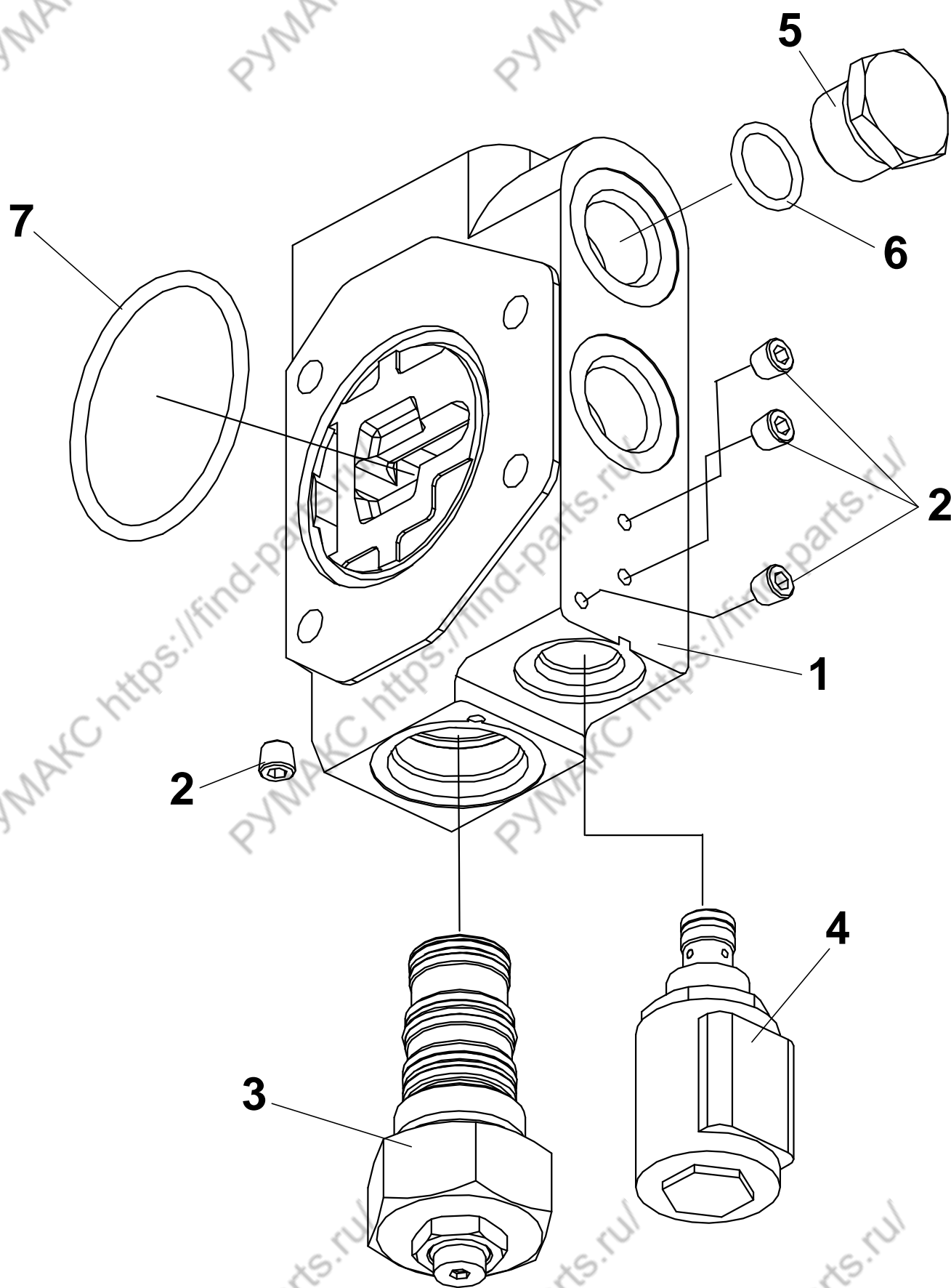


D15/18S5 D20SC-5

FIG.6-170-4

D513757 Section Gp - Outlet

NOTE	ITEM NO.	PART NUMBER	QTY	DESCRIPTION	CHANGE CODE	START SERIAL NO.					
						EM0UT	EM0UU	FDA01	FDA02	FDA03	-
	1	D513812	1	Block-FA Type							
Y	2	D513760	1	Secondary Relief Valve							

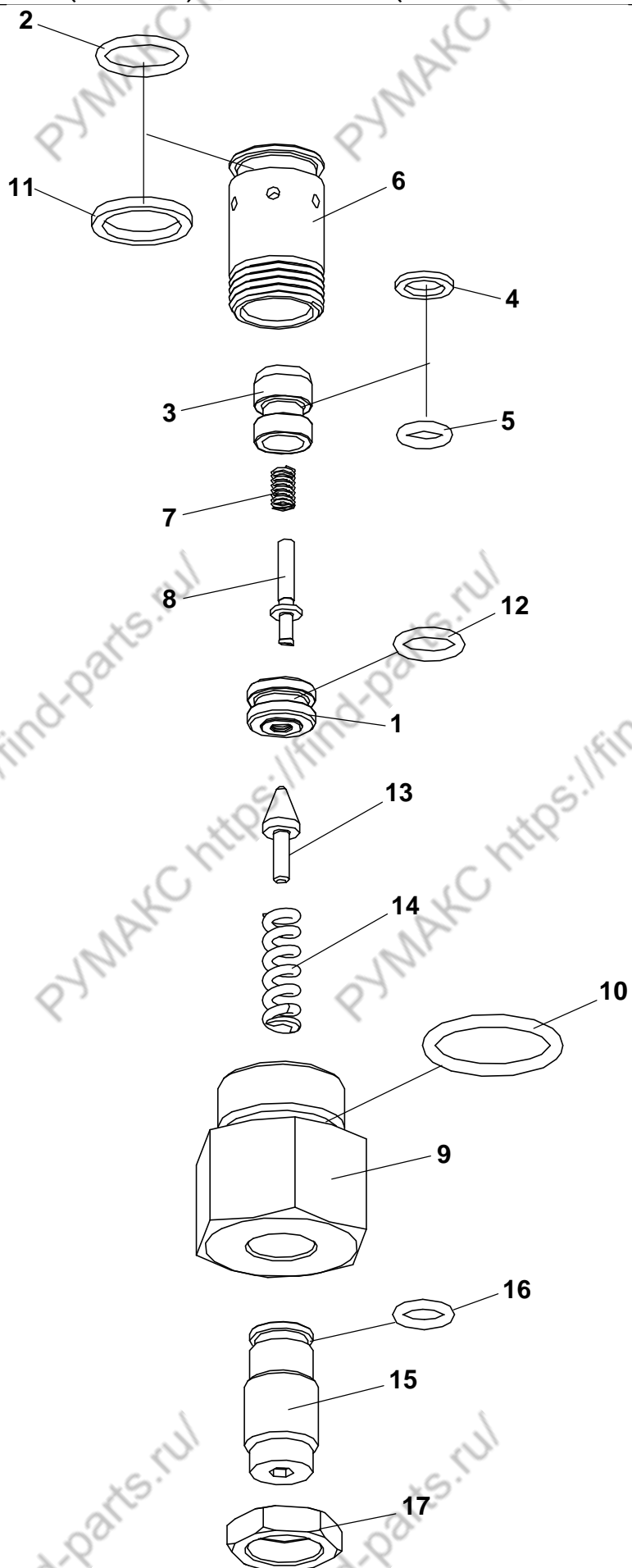


D15/18S5 D20SC-5

FIG.6-170-5

D513748 Section Gp - Inlet

NOTE	ITEM NO.	PART NUMBER	QTY	DESCRIPTION	CHANGE CODE	START SERIAL NO.					
						EMOUT	EMOUU	FDA01	FDA02	FDA03	-
	1		1	Block-AA Type							
	2		4	Set Screw							
Y	3	D513755	1	Main Relief Valve							
	4	D513680	1	Solenoid Valve							
	5		1	Plug							
J	6		1	O-Ring							
J	7		1	O-Ring							
		D513834		Kit-Seal (Includes Parts Marked J)							

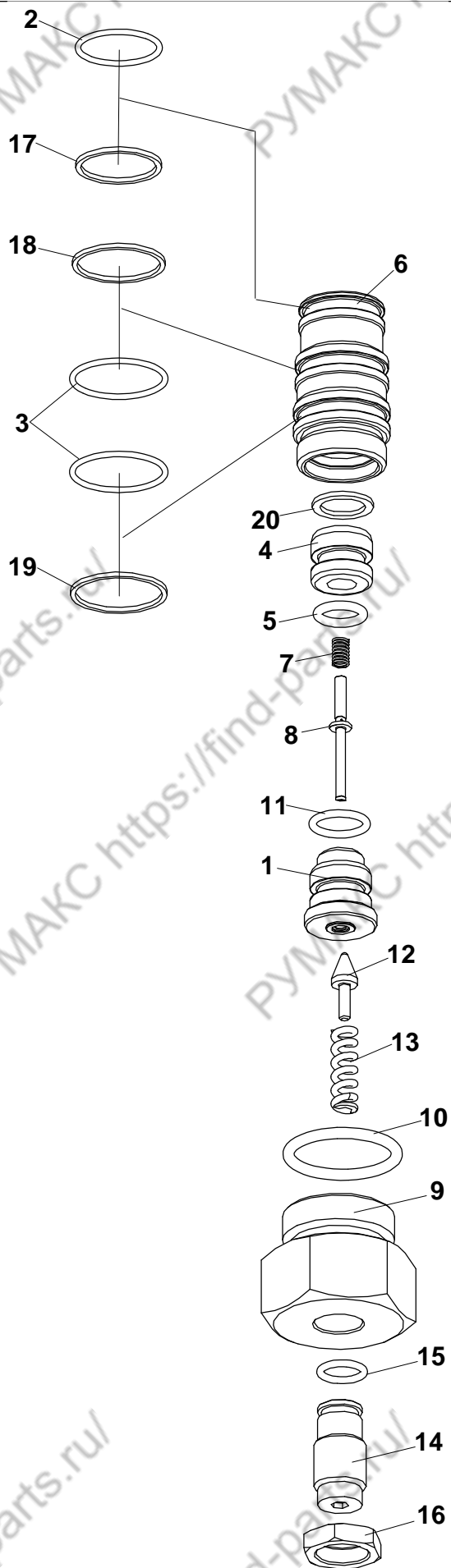


D15/18S5 D20SC-5

FIG.6-170-6

D513760 Secondary Relief Valve

NOTE	ITEM NO.	PART NUMBER	QTY	DESCRIPTION	CHANGE CODE	START SERIAL NO.					
						EMOUT	EMOUU	FDA01	FDA02	FDA03	-
	1		1	Seat-Pilot							
J	2		1	O-Ring							
	3		1	Poppet ; Main							
J	4		1	Backup Ring							
J	5		1	O-Ring							
	6		1	Socket							
	7		1	Spring ; Main							
	8		1	Piston							
	9		1	Body							
J	10		1	O-Ring							
J	11		1	Backup Ring							
J	12		1	O-Ring							
	13		1	Poppet ; Pilot							
	14		1	Spring ; Pilot							
	15		1	Adjust Screw							
J	16		1	O-Ring							
	17		1	Nut ; lock							
		D513835		. Kit-Seal (Includes Parts Marked J)							

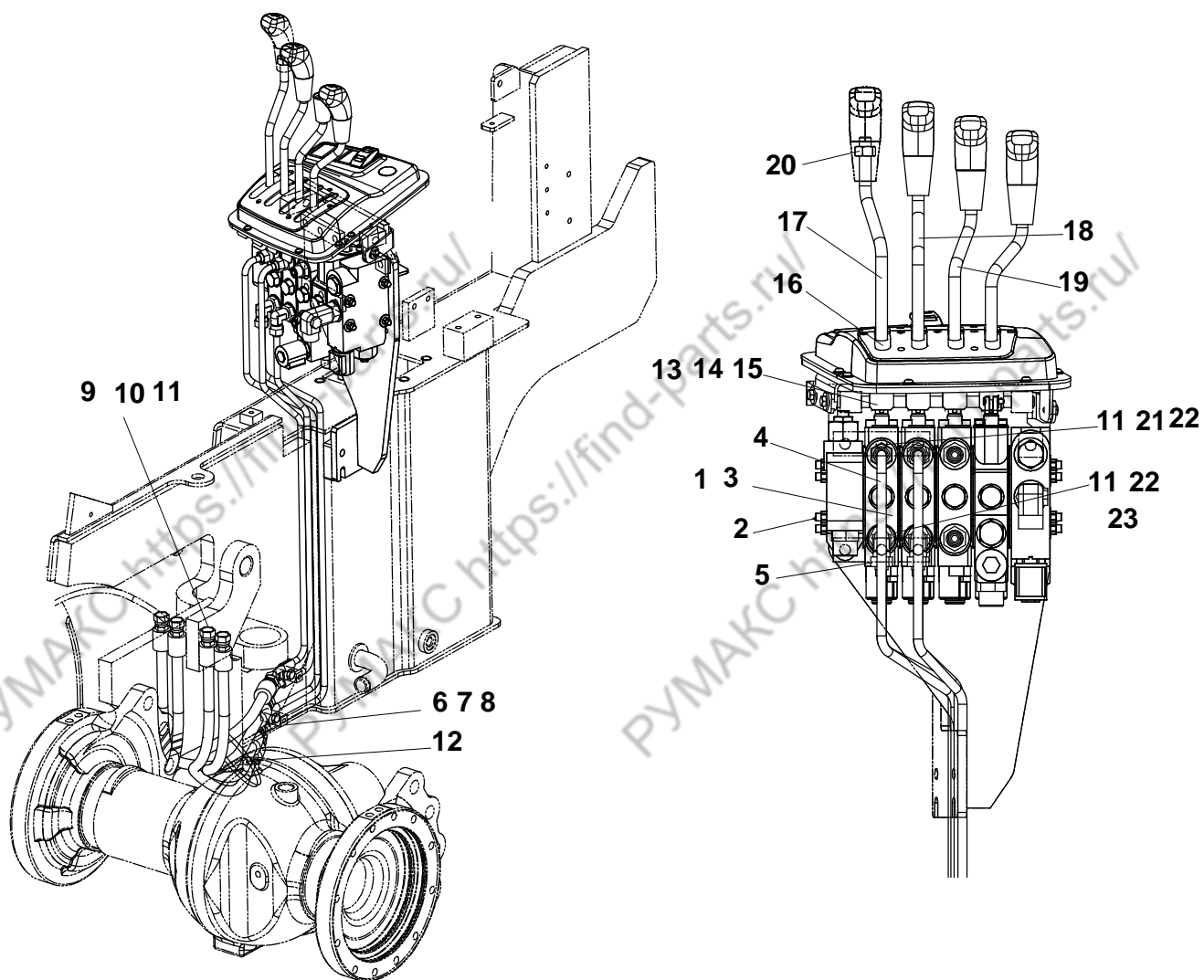


D15/18S5 D20SC-5

FIG.6-170-7

D513755 Main Relief Valve

NOTE	ITEM NO.	PART NUMBER	QTY	DESCRIPTION	CHANGE CODE	START SERIAL NO.					
						EMOUT	EMOUU	FDA01	FDA02	FDA03	-
	1		1	Seat-Pilot							
J	2		1	O-Ring							
J	3		2	O-Ring							
	4		1	Poppet ; Main							
J	5		1	O-Ring							
	6		1	Socket							
	7		1	Spring ; Main							
	8		1	Piston							
	9		1	Body							
J	10		1	O-Ring							
J	11		1	O-Ring							
	12		1	Poppet ; Pilot							
	13		2	Spring ; Pilot							
	14		1	Adjust Screw							
J	15		1	O-Ring							
	16		1	Nut ; Lock							
J	17		1	Backup Ring							
J	18		1	Backup Ring							
J	19		1	Backup Ring							
J	20		1	Backup Ring							
		D513832		Kit-Seal (Includes Parts Marked J)							

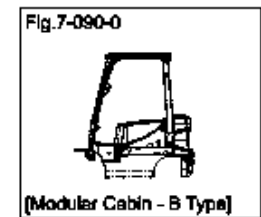
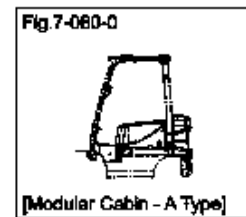
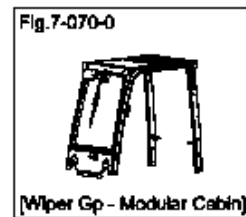
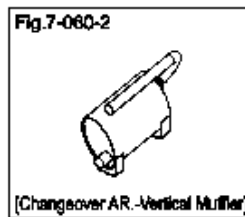
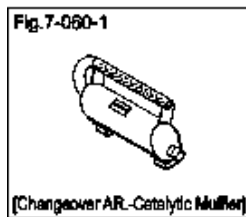
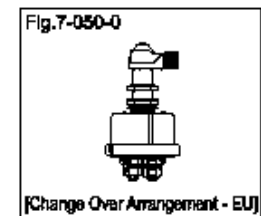
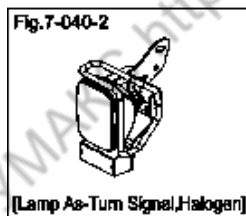
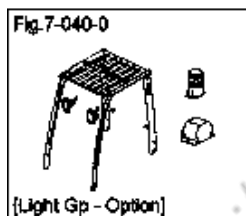
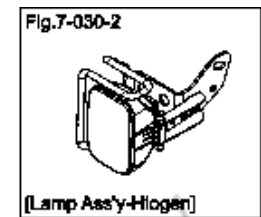
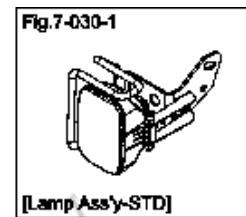
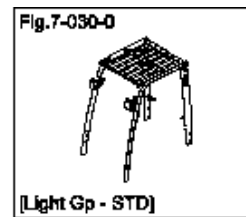
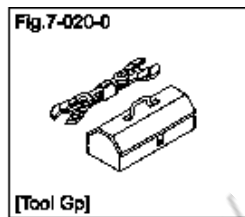
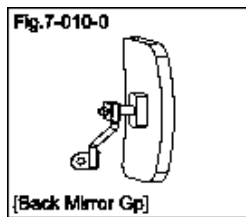


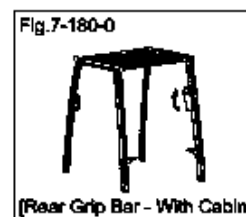
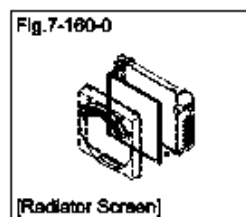
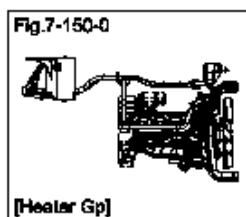
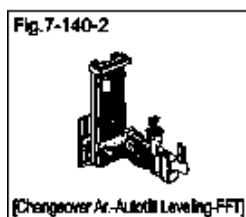
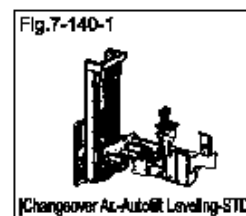
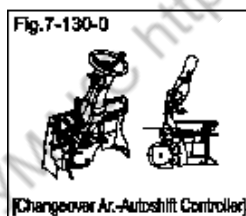
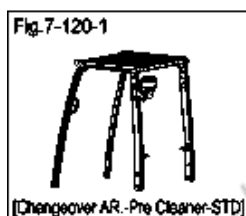
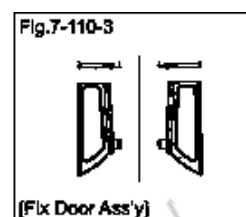
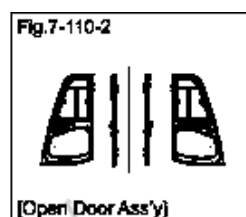
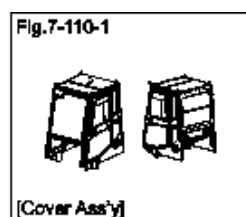
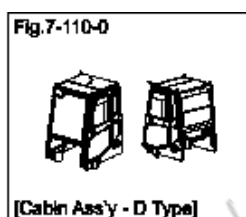
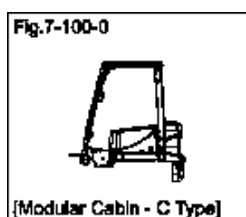
D15/18S5 D20SC-5

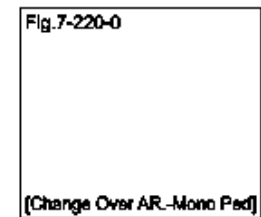
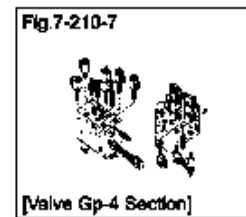
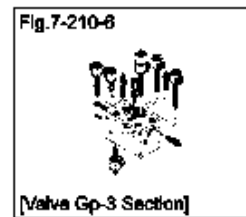
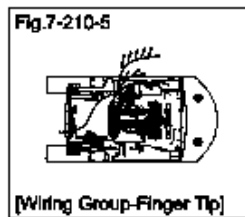
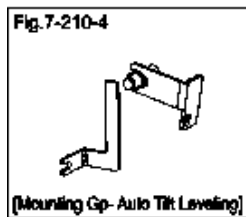
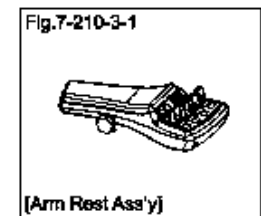
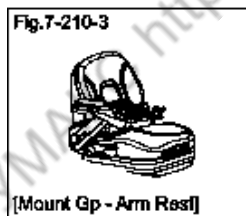
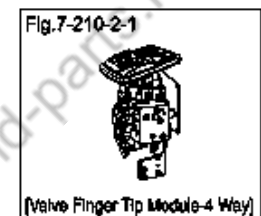
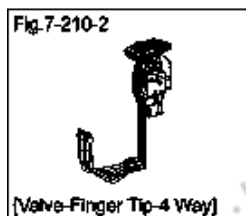
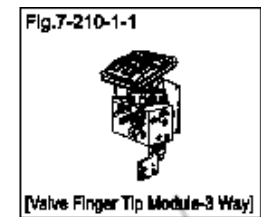
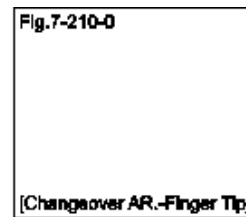
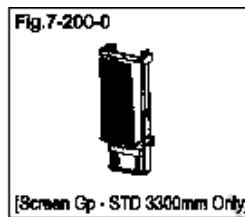
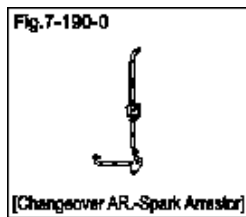
FIG.6-180-0

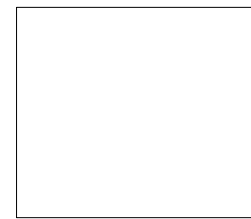
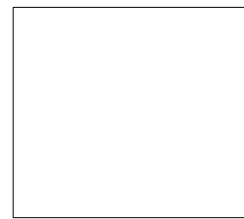
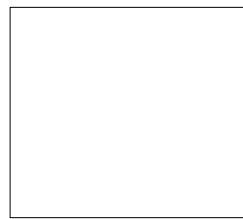
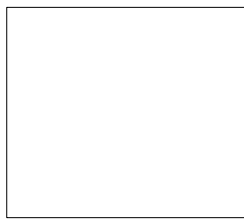
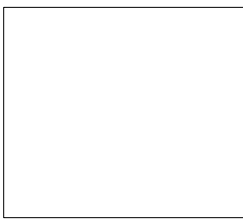
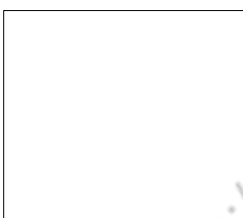
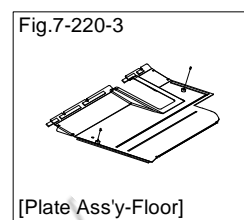
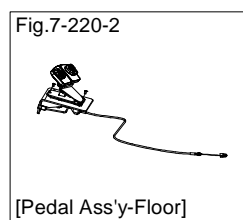
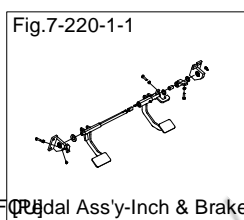
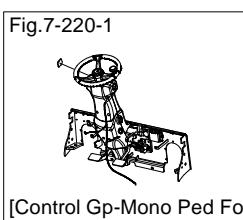
A381957 Change Over Ar. - 3 To 4 Section

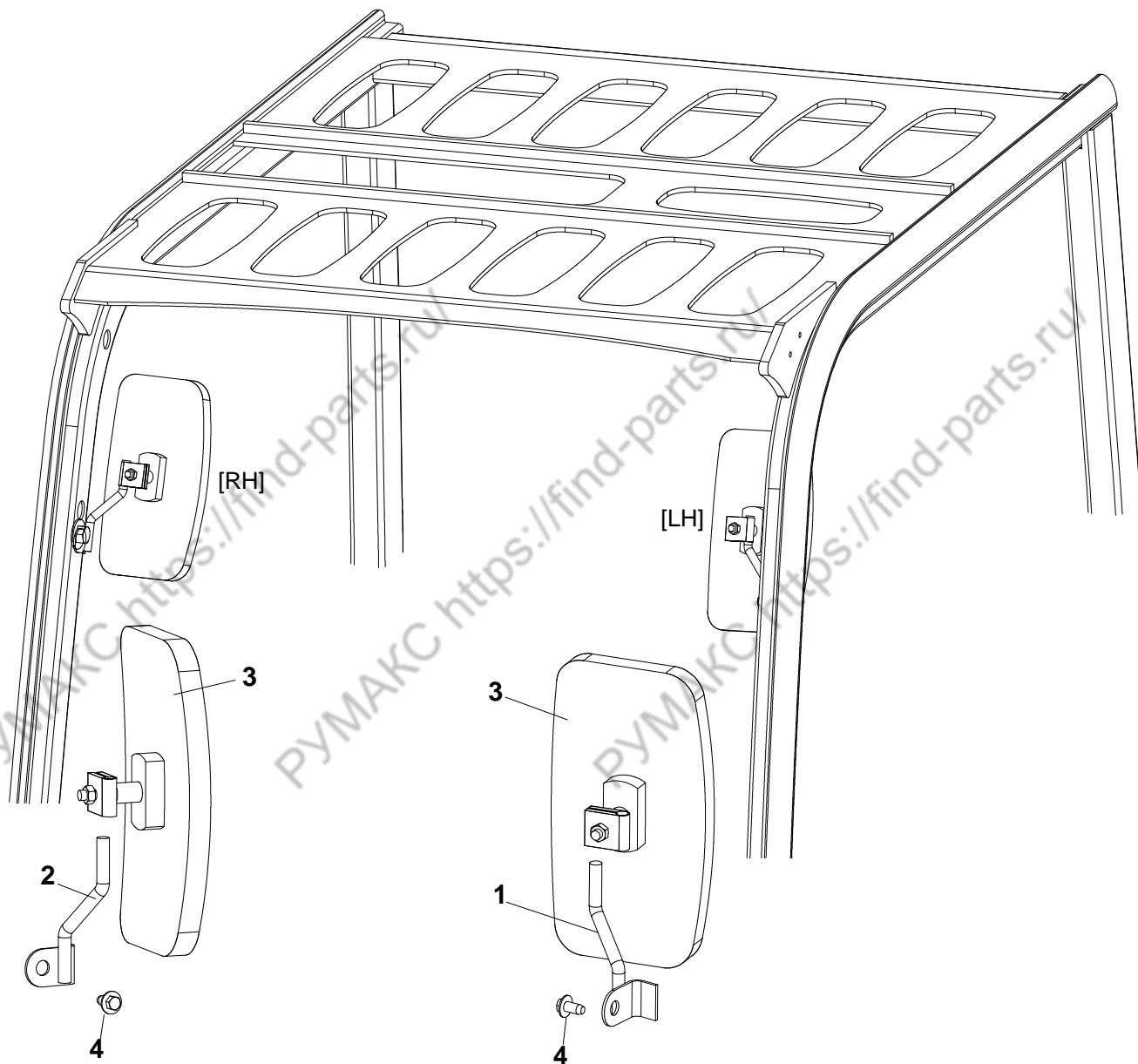
NOTE	ITEM NO.	PART NUMBER	QTY	DESCRIPTION	CHANGE CODE	START SERIAL NO.					
						EM0UT	EM0UU	FDA01	FDA02	FDA03	-
	1	D513756	1	Valve Gp							
	2	D513841	1	Tie Rod-Kit 4Spool							
	3	A381246	1	Tube Ass. ʘy-Up							
	4	A381247	1	Tube Ass. ʘy-Down							
	5	D900028	2	Clamp							
	6	D700208	1	Spacer							
	7	S0508763	1	Bolt							
	8	D164430	1	Protector-Hose							
	9	A215219	2	Hose Ass. ʘy							
	10	S8030061	4	O-Ring							
	11	D320087	1	Strap							
	12	D600117	1	Pin							
	13	D917009	1	Washer							
	14	S5735061	1	Pin-Cotter							
	15	A402410	1	Film-C/V Lever							
	16	A381109	1	Lever Ass. ʘy-4way							
	17	A381108	1	Lever Ass. ʘy-3way							
	18	A381107	1	Lever Ass. ʘy-Tilt							
	19	S4012733	1	Nut							
	20	D905011	1	Connector							
	21	S8040081	2	O-Ring							
	22	D902163	1	Elbow							
	23	D513768	1	O-Ring							









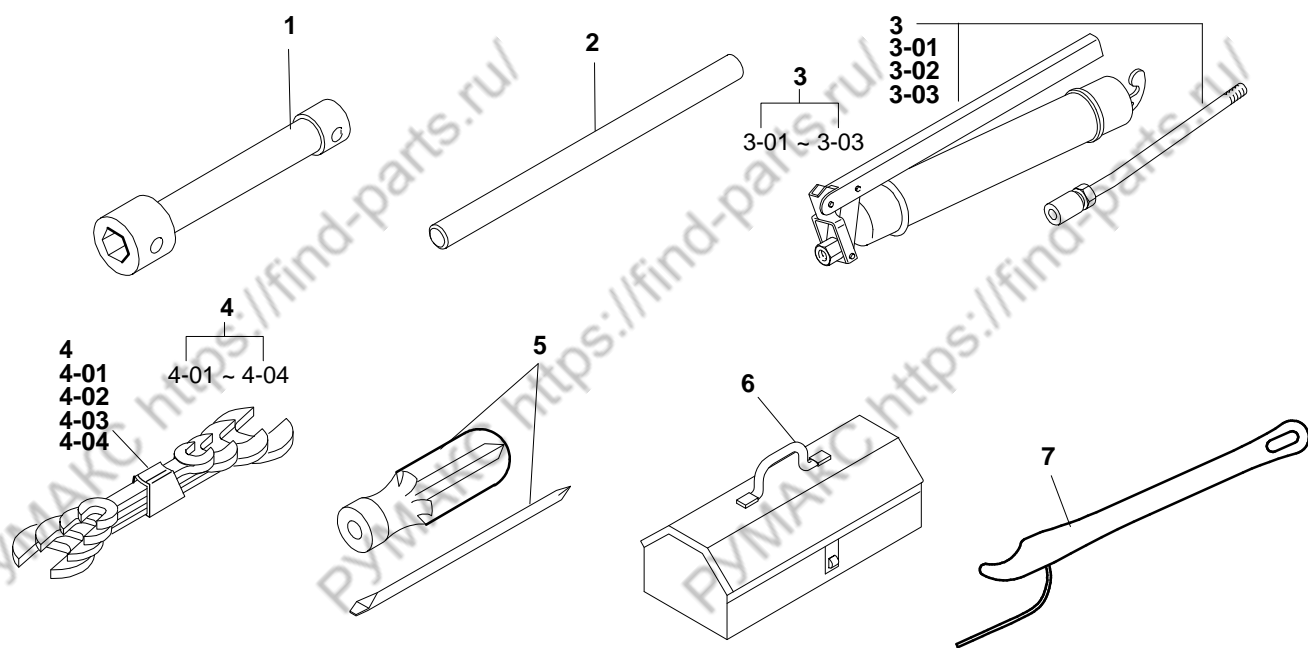


D15/18S5 D20SC-5

FIG.7-010-0

A158678 Back Mirror Gp

NOTE	ITEM NO.	PART NUMBER	QTY	DESCRIPTION	CHANGE CODE	START SERIAL NO.					
						EM0UT	EM0UU	FDA01	FDA02	FDA03	-
	1	D131044	1	Rod Ass. ʘy-LH							
	2	D131048	1	Rod Ass. ʘy-RH							
	3	D131047	2	Back Mirror Ass. ʘy(Large)							
		D130101	2	Back Mirror Ass. ʘy(Small)							
	4	D915032	2	Screw							

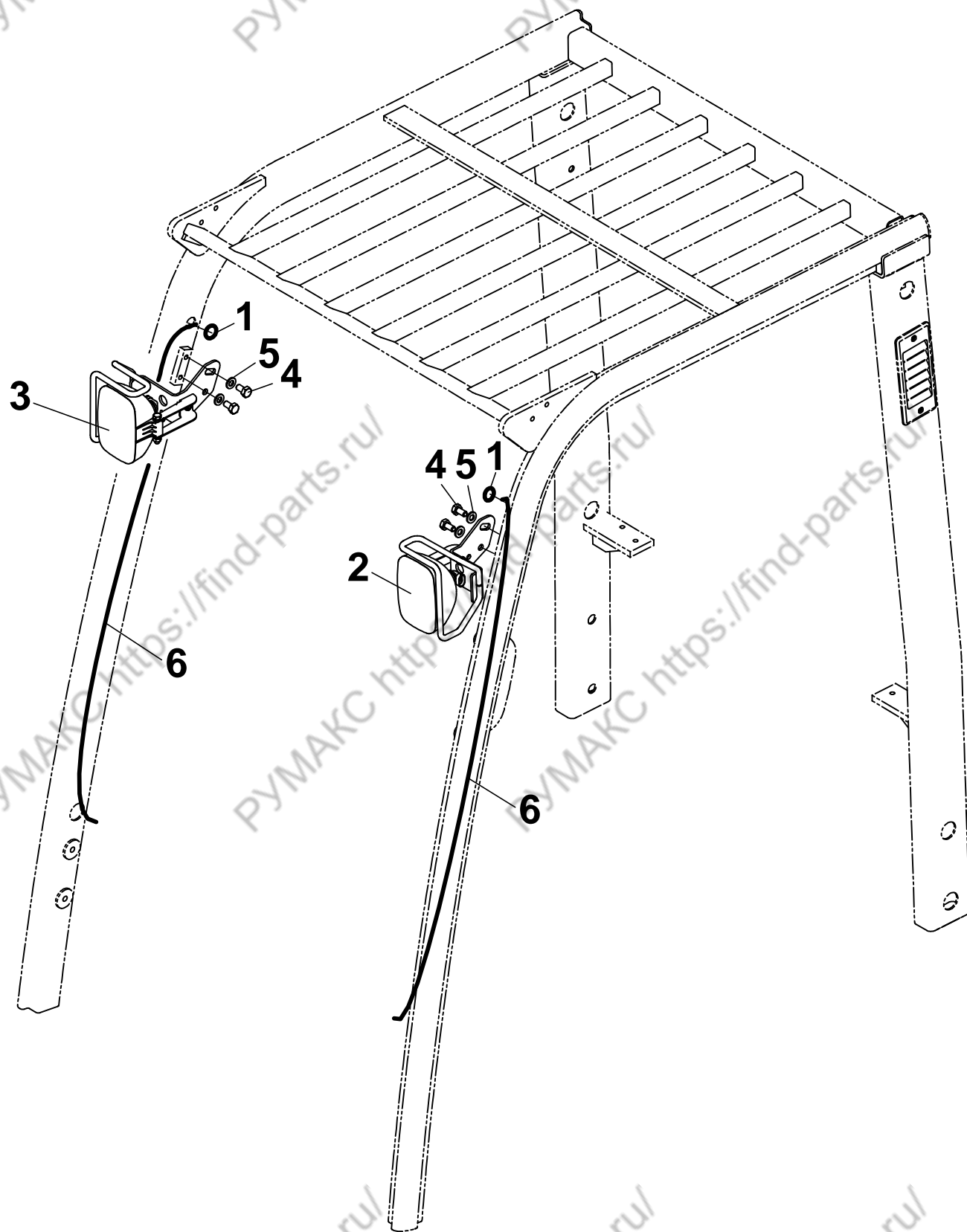


D15/18S5 D20SC-5

FIG.7-020-0

D600220 Tool Gp

NOTE	ITEM NO.	PART NUMBER	QTY	DESCRIPTION	CHANGE CODE	START SERIAL NO.					
						EM0UT	EM0UU	FDA01	FDA02	FDA03	-
	1	D600319	1	Wrench-Wheel							
	2	D600320	1	Wrench-Bar							
	3	A142420	1	Gun Set-Grease							
	3-01	A142417	1	Gun-Handle Lever							
	3-02	A142418	1	Hose							
	3-03	A142419	1	Pipe							
	4	D130104	1	Spanner Set							
		T6510079	1	Spanner(8x10)							
	4-02	T6510085	1	Spanner(13x17)							
	4-03	T6510088	1	Spanner(19x22)							
	4-04	T6510090	1	Spanner(24x27)							
	5	A130105	1	Driver-screw(+ , -)							
	6	A212958	1	Tool Box							
	7	A269135	1	Filter Wrench							



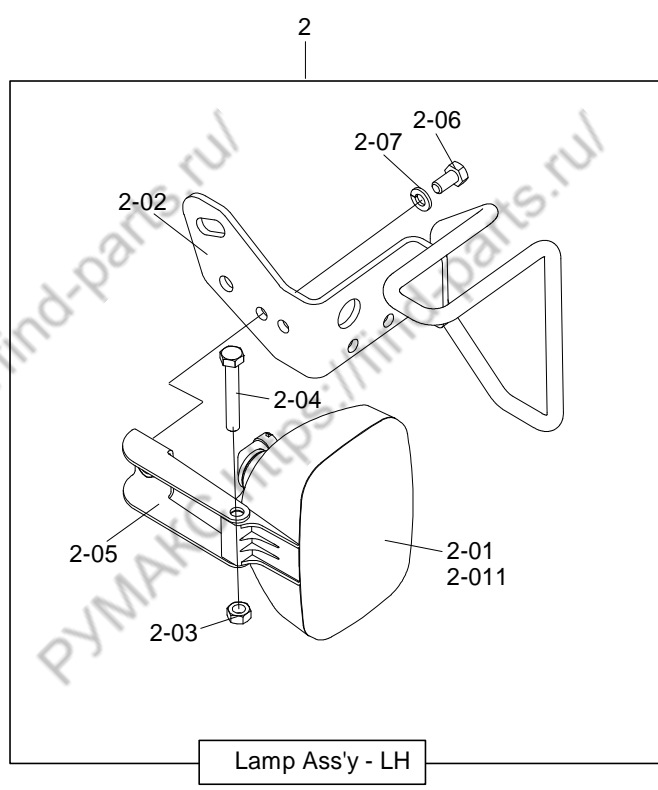
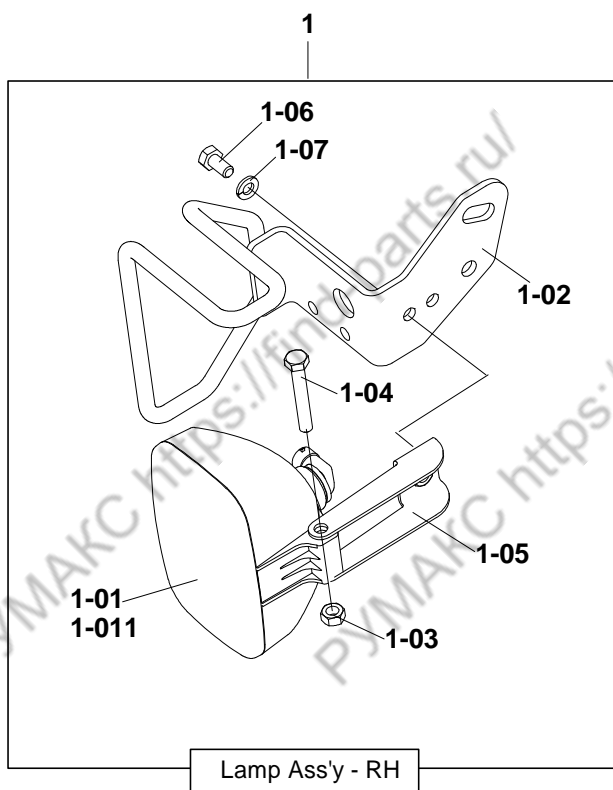
D15/18S5 D20SC-5

FIG.7-030-0

620204-03753 Light Gp - Front - STD

NOTE	ITEM NO.	PART NUMBER	QTY	DESCRIPTION	CHANGE CODE	START SERIAL NO.				
						EM0UT	EM0UU	FDA01	FDA02	FDA0
	1	S994010H	2	Grommet						
Y	2	A402625	1	Lamp Ass. ʘy-STD						
Y		A402821	1	Lamp Ass. ʘy-Halogen						
Y	3	A402626	1	Lamp Ass. ʘy-STD						
Y		A402822	1	Lamp Ass. ʘy-Halogen						
	4	D917093	4	Washer						
	5	S0511663	4	Bolt						
	6	A404221	2	Harness Ass. ʘy-Light (STD)						
		A434121	1	Harness Ass. ʘy-Light (Halogen Option)						

<https://find-parts.ru/>
<https://find-parts.ru/>
<https://find-parts.ru/>

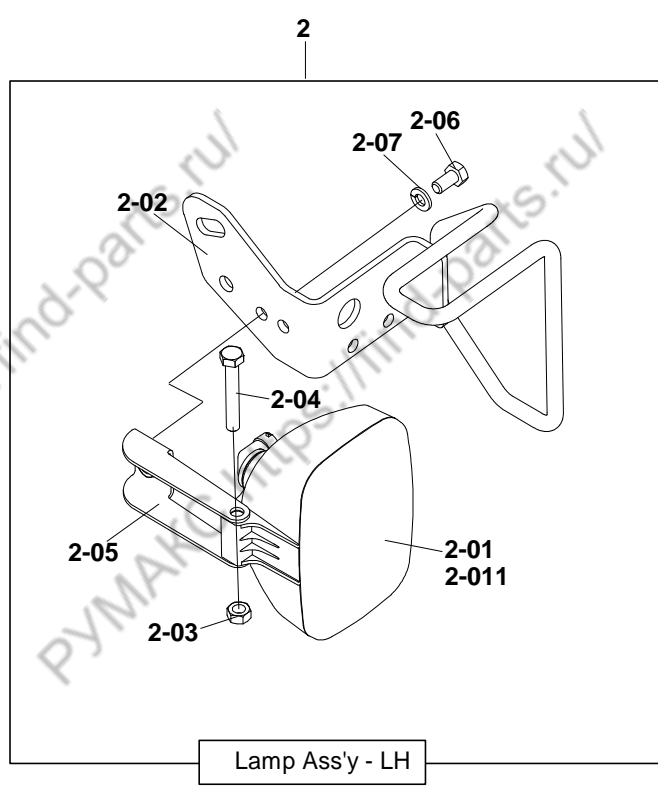
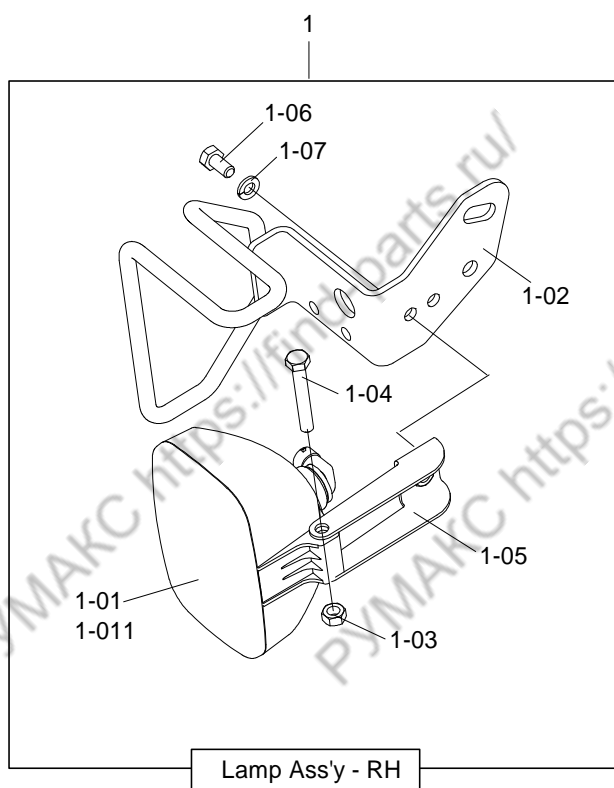


D15/18S5 D20SC-5

FIG.7-030-1

A402626 Lamp Ass. 7y - STD - RH

NOTE	ITEM NO.	PART NUMBER	QTY	DESCRIPTION	CHANGE CODE	START SERIAL NO.					
						EM0UT	EM0UU	FDA01	FDA02	FDA03	-
	1	A402626	1	Lamp Ass. 7y-RH							
	1-01	D147626	1	Lamp Ass. 7y							
	1-011	D147669	1	Bulb-Halogen							
	1-02	A402559	1	Bracket Ass. 7y-RH							
	1-03	S4012533	1	Nut							
	1-04	S0556463	1	Bolt							
	1-05	A402592	1	Bracket Ass. 7y-Head Lamp							
	1-06	S0508863	3	Bolt							
	1-07	S5102503	3	Washer							

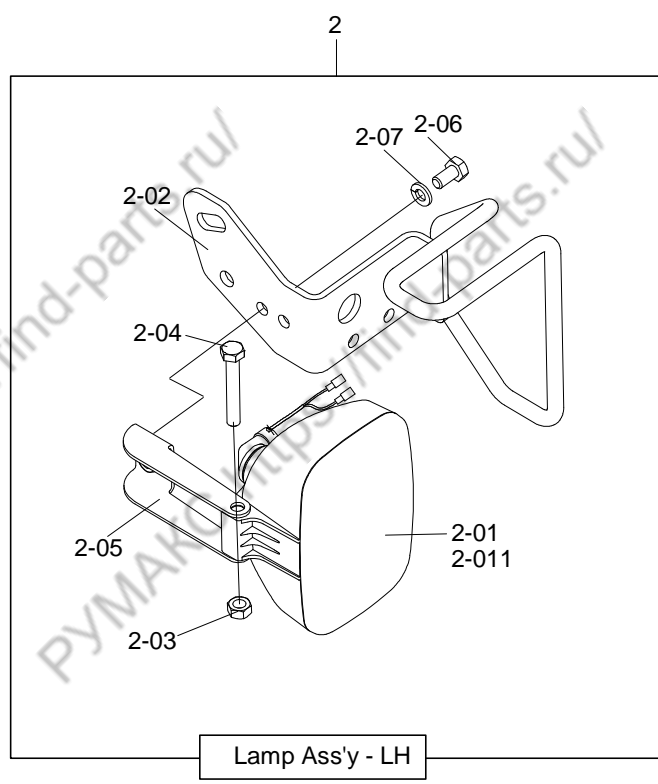
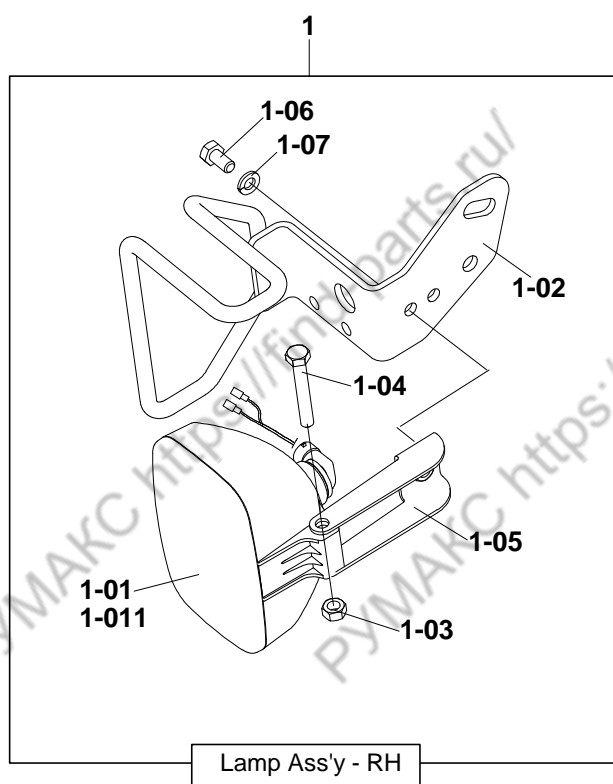


D15/18S5 D20SC-5

FIG.7-030-1

A402625 Lamp Ass. 7y - STD - LH

NOTE	ITEM NO.	PART NUMBER	QTY	DESCRIPTION	CHANGE CODE	START SERIAL NO.					
						EM0UT	EM0UU	FDA01	FDA02	FDA03	-
	2	A402625	1	Lamp Ass. 7y-LH							
	2-01	D147626	1	Lamp Ass. 7y							
	2-011	D147669	1	Bulb-Halogen							
	2-02	A402558	1	Bracket Ass. 7y-LH							
	2-03	S4012533	1	Nut							
	2-04	S0556463	1	Bolt							
	2-05	A402592	1	Bracket Ass. 7y-Head Lamp							
	2-06	S0508863	3	Bolt							
	2-07	S5102503	3	Washer							



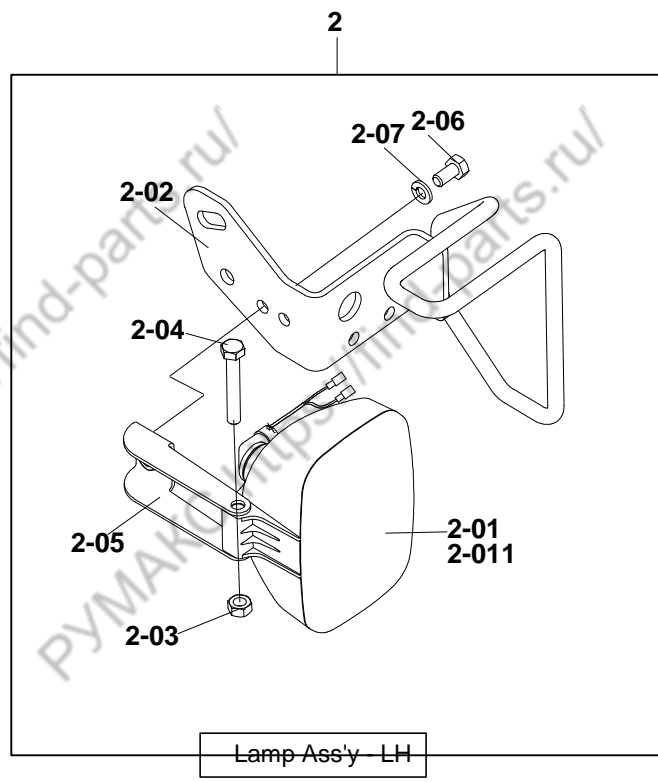
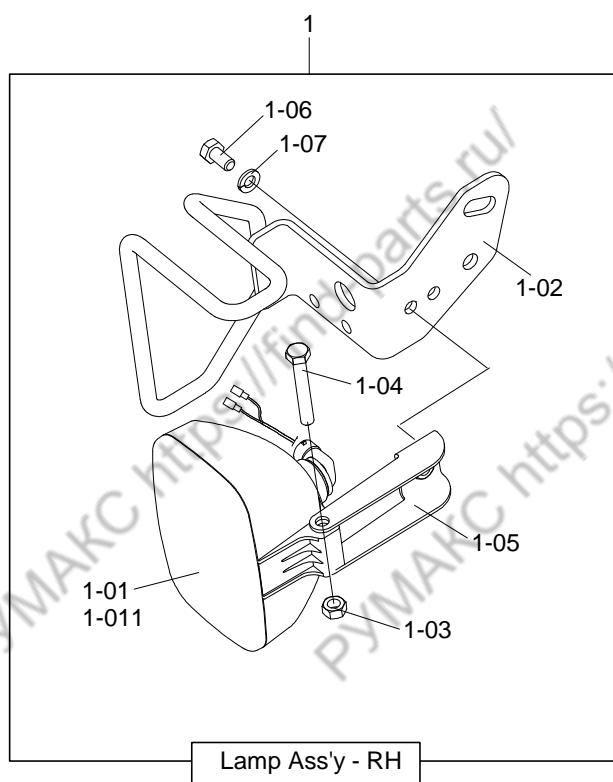
D15/18S5 D20SC-5

FIG.7-030-2

A402822 Lamp Ass. 7y - Halogen - RH

NOTE	ITEM NO.	PART NUMBER	QTY	DESCRIPTION	CHANGE CODE	START SERIAL NO.					
						EM0UT	EM0UU	FDA01	FDA02	FDA03	-
	1	A402628	1	Lamp Ass. 7y-RH							
	1-01	A334150	1	Lamp Ass. 7y							
	1-011	D147672	1	Bulb-Halogen							
	1-02	A402559	1	Bracket Ass. 7y-RH							
	1-03	S4012533	1	Nut							
	1-04	S0556463	1	Bolt							
	1-05	A402592	1	Bracket Ass. 7y-Head Lamp							
	1-06	S0508863	3	Bolt							
	1-07	S5102503	3	Washer							

<https://find-parts.ru/>
<https://find-parts.ru/>
<https://find-parts.ru/>
<https://find-parts.ru/>
<https://find-parts.ru/>



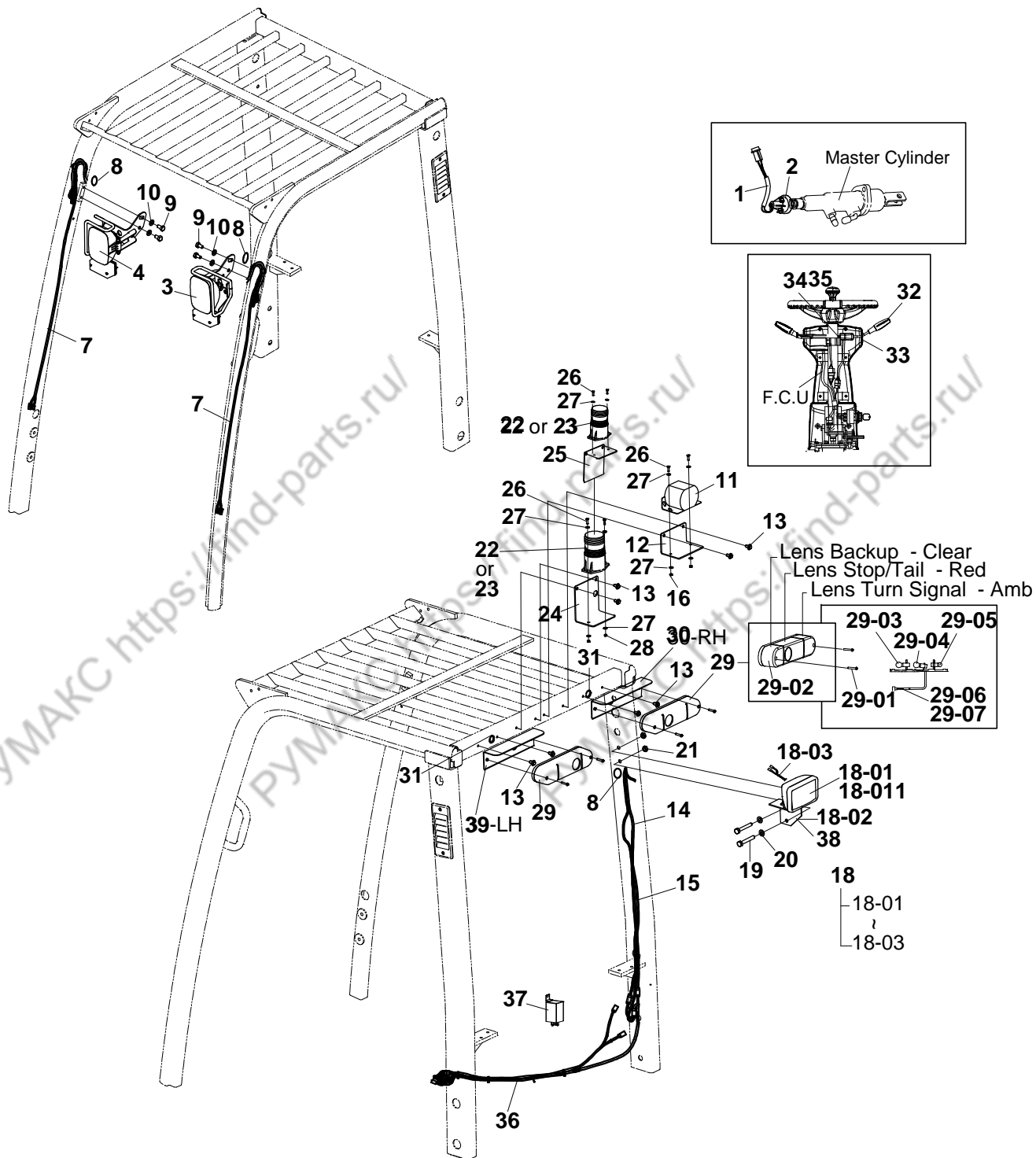
D15/18S5 D20SC-5

FIG.7-030-2

A402821 Lamp Ass. 7y - Halogen - LH

NOTE	ITEM NO.	PART NUMBER	QTY	DESCRIPTION	CHANGE CODE	START SERIAL NO.					
						EM0UT	EM0UU	FDA01	FDA02	FDA03	-
	2	A402627	1	Lamp Ass. 7y-LH							
	2-01	A334150	1	Lamp Ass. 7y							
	2-011	D147672	1	Bulb-Halogen							
	2-02	A402558	1	Bracket Ass. 7y-LH							
	2-03	S4012533	1	Nut							
	2-04	S0556463	1	Bolt							
	2-05	A402592	1	Bracket Ass. 7y-Head Lamp							
	2-06	S0508863	3	Bolt							
	2-07	S5102503	3	Washer							

[PYMAKC https://find-parts.ru/](https://find-parts.ru/)
[PYMAKC https://find-parts.ru/](https://find-parts.ru/)
[PYMAKC https://find-parts.ru/](https://find-parts.ru/)
<https://find-parts.ru/>
<https://find-parts.ru/>
<https://find-parts.ru/>

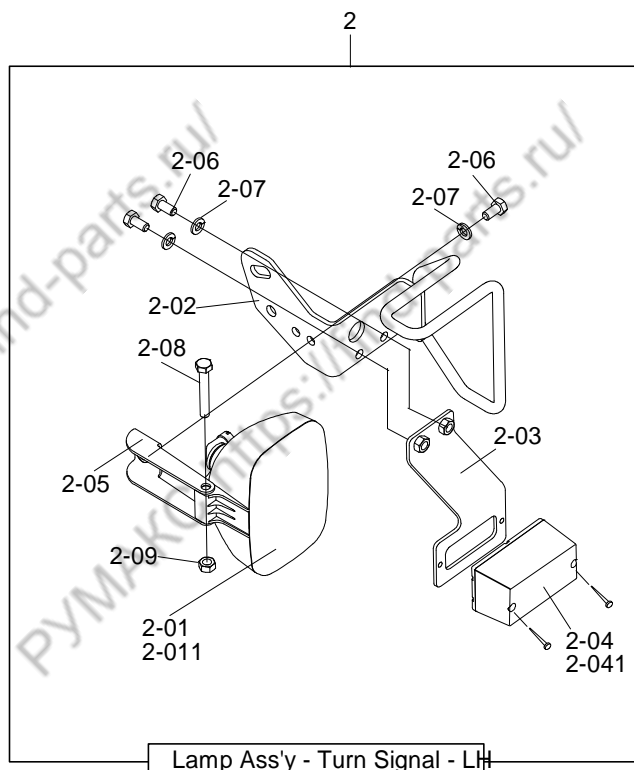
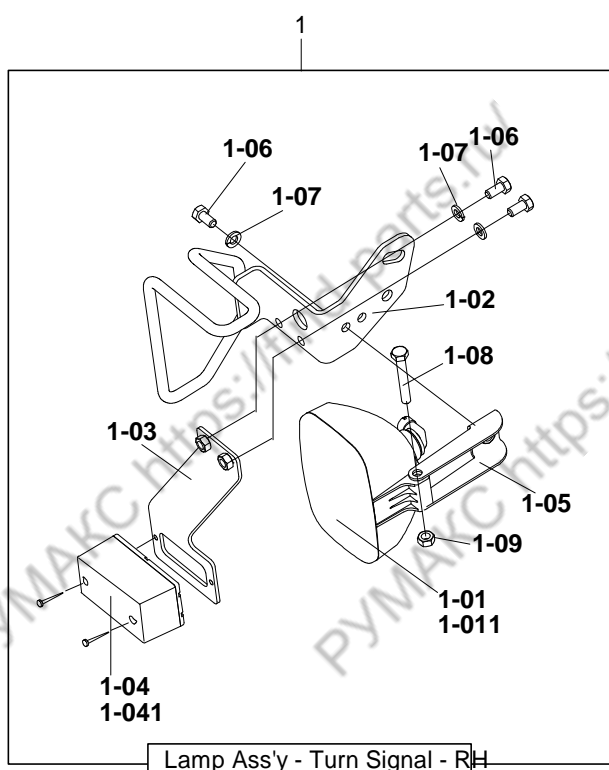


D15/18S5 D20SC-5

FIG.7-040-0

A381397 Light Gp - Option

NOTE	ITEM NO.	PART NUMBER	QTY	DESCRIPTION	CHANGE CODE	START SERIAL			
						EMOUT	EMOUU	FDA01	F
	1	D152037	1	Harness Ass. ʘy					
	2	D546136	1	Switch Ass. ʘy					
Y	3	A402629	1	Lamp As & Turn Signal-LH(STD)					
Y		A402825	1	Lamp As & Turn Signal-LH(Halogen- Option)					
Y	4	A402630	1	Lamp As & Turn Signal-RH(STD)					
Y		A402826	1	Lamp As & Turn Signal-RH(Halogen- Option)					
	7	A404221	2	Harness Ass. ʘy-Light (STD)					
		A434121	1	Harness Ass. ʘy-Light(Halogen- Option)					
	8	S994010H	6	Grommet					
	9	S0511663	4	Bolt					
	10	D917093	4	Washer					
	11	D287673	1	Backup Alarm Ass. ʘy					
		A404182	1	Backup Alram Ass. ʘy-Smart					
	12	A214217	1	Plate					
	13	D915032	6	Screw					
	14	A404094	1	Harness Ass. ʘy					
	15	A402759	1	Harness Ass. ʘy					
	16	D913011	2	Nut					
	18	A214352	1	Lamp Ass. ʘy-Rear(Halogen- Option)					
	18-01	D147626	1	Lamp Ass. ʘy (STD)					
		A214338	1	Lamp Ass. ʘy (Halogen- Option)					
	18-011	D147669	1	Bulb (STD)					
		D147672	1	Bulb-Halogen Long Life(Halogen- Option)					
	18-02	A214089	1	Bracket Ass. ʘy					
	18-03	A214097	1	Harness Ass. ʘy (Halogen Only)					
	19	S0558963	2	Bolt					
	20	D917005	2	Washer					
	21	S4012633	2	Nut					
	22	D287669	1	Strobe-Red					
	23	D287670	1	Strobe-Amber					
	24	A214107	1	Plate-Strobe Bellow					
	25	A214108	1	Plate-Strobe Above					
	26	D917083	4	Bolt					
	27	D917009	4	Washer					
	28	D917031	4	Nut					
	29	A404000	2	Lamp Ass. ʘy-Rear Combination					
	29-01	S3450903	2	Screw					
	29-02	A404002	1	Lens Ass. ʘy					
	29-03	300710-00007	1	Bulb					
	29-04	300710-00008	1	Bulb					
	29-05	S863110H	1	Bulb					
	29-06	D167625	1	Housing-Pin					
	29-07	D167627	5	Terminal-Pin					
	30	A484080	1	Bracket-RH					
	31	S994012H	2	Grommet					
	32	A334003	1	Turn Signal Switch					
	33	A401389	1	Bellow-Turn Signal					
	34	S3450593	2	Screw					
	35	S5100203	2	Washer					
	36	A404093	1	Harness Ass. ʘy					
	37	A404052	1	Flasher Unit					
	38	D147642	1	Bracket Ass. ʘy					
	39	A484081	1	Bracket-LH					

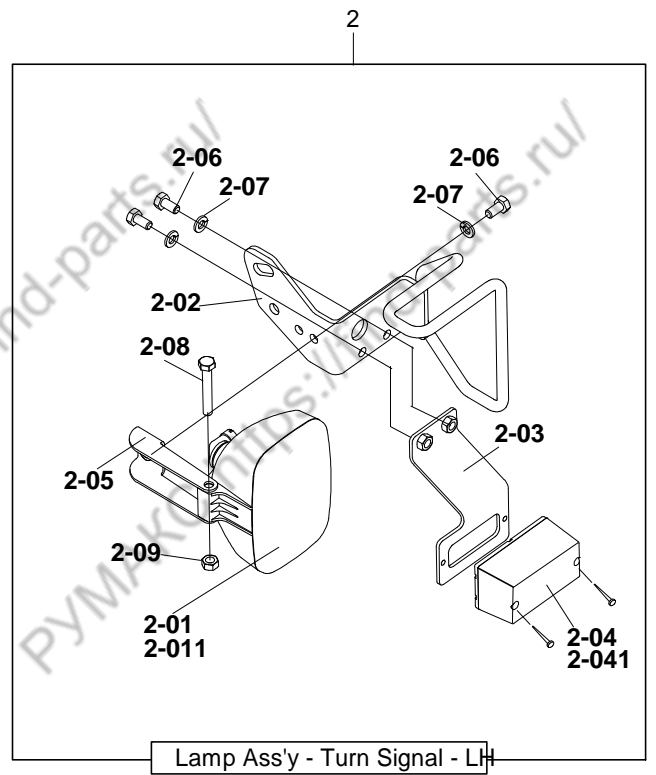
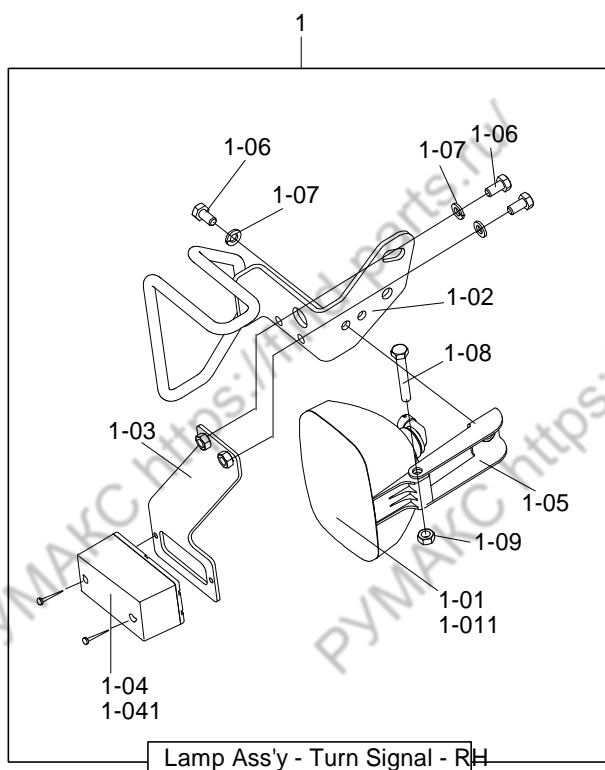


D15/18S5 D20SC-5

FIG.7-040-1

A402630 Lamp Ass. ʘy & Turn Signal - STD - RH

NOTE	ITEM NO.	PART NUMBER	QTY	DESCRIPTION	CHANGE CODE	START SERIAL NO.					
						EM0UT	EM0UU	FDA01	FDA02	FDA03	-
	1-01	D147626	1	Lamp Ass. ʘy							
	1-011	D147669	1	Bulb-Halogen							
	1-02	A402559	1	Bracket Ass. ʘy-RH							
	1-03	A402624	1	Bracket Ass. ʘy-RH							
	1-04	A334149	1	Lamp Ass. ʘy-Turn Signal							
	1-041	300710-00008	1	Bulb							
	1-05	A402592	1	Bracket Ass. ʘy-Lamp							
	1-06	S0508863	3	Bolt							
	1-07	S5102503	3	Washer							
	1-08	S0556463	1	Bolt							
	1-09	S4012533	1	Nut							



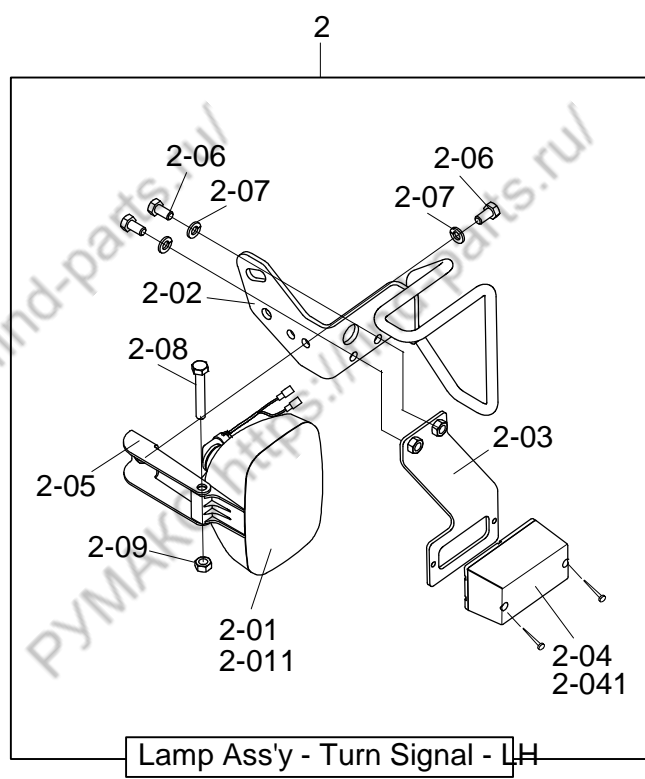
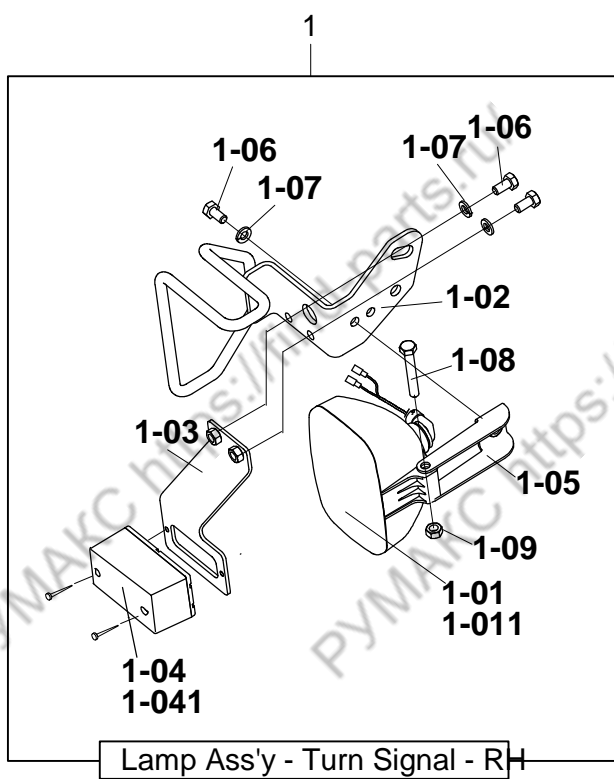
D15/18S5 D20SC-5

FIG.7-040-1

A402629 Lamp Ass. ʘy & Turn Signal - STD - LH

NOTE	ITEM NO.	PART NUMBER	QTY	DESCRIPTION	CHANGE CODE	START SERIAL NO.					
						EMOUT	EM0UU	FDA01	FDA02	FDA03	-
	2-01	D147626	1	Lamp Ass. ʘy							
	2-011	D147669	1	Bulb-Halogen							
	2-02	A402558	1	Bracket Ass. ʘy-LH							
	2-03	A402623	1	Bracket Ass. ʘy-LH							
	2-04	A334149	1	Lamp Ass. ʘy-Turn Signal							
	2-041	300710-00008	1	Bulb							
	2-05	A402592	1	Bracket Ass. ʘy-Lamp							
	2-06	S0508863	3	Bolt							
	2-07	S5102503	3	Washer							
	2-08	S0556463	1	Bolt							
	2-09	S4012533	1	Nut							

<https://find-parts.ru/>
<https://find-parts.ru/>
<https://find-parts.ru/>



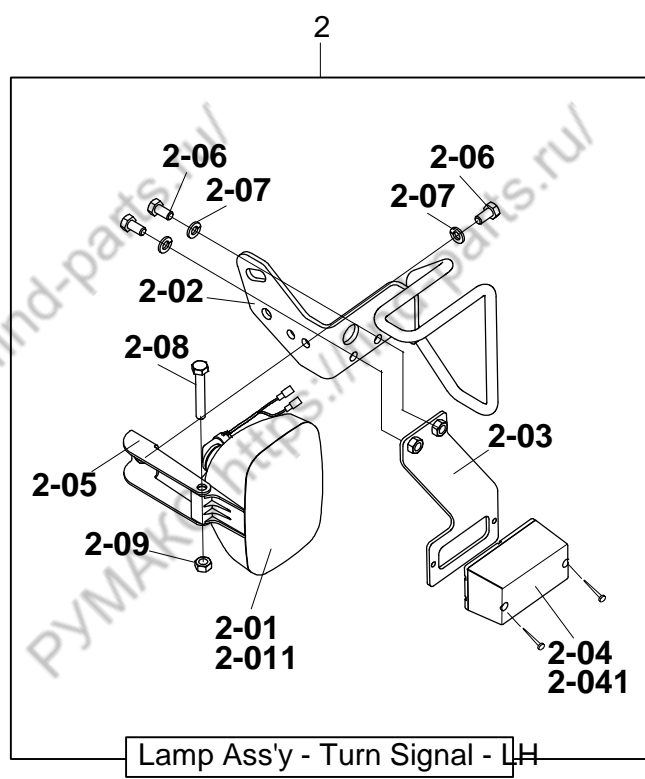
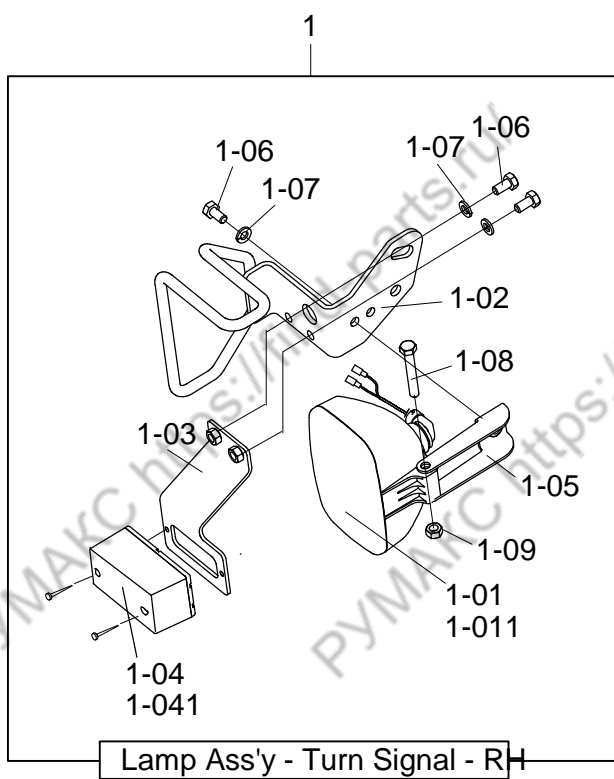
D15/18S5 D20SC-5

FIG.7-040-2

A402826 Lamp Ass. ѓy & Turn Signal - Option - RH

NOTE	ITEM NO.	PART NUMBER	QTY	DESCRIPTION	CHANGE CODE	START SERIAL NO.					
						EM0UT	EM0UU	FDA01	FDA02	FDA03	-
	1-01	A334150	1	Lamp Ass. ѓy							
	1-011	D147672	1	Bulb-Halogen Long Life							
	1-02	A402559	1	Bracket Ass. ѓy-RH							
	1-03	A402624	1	Bracket Ass. ѓy-RH							
	1-04	A334149	1	Lamp Ass. ѓy-Turn Signal							
	1-041	300710-00008	1	Bulb							
	1-05	A402592	1	Bracket Ass. ѓy-Lamp							
	1-06	S0508863	3	Bolt							
	1-07	S5102503	3	Washer							
	1-08	S0556463	1	Bolt							
	1-09	S4012533	1	Nut							

<https://find-parts.ru/>
<https://find-parts.ru/>
<https://find-parts.ru/>

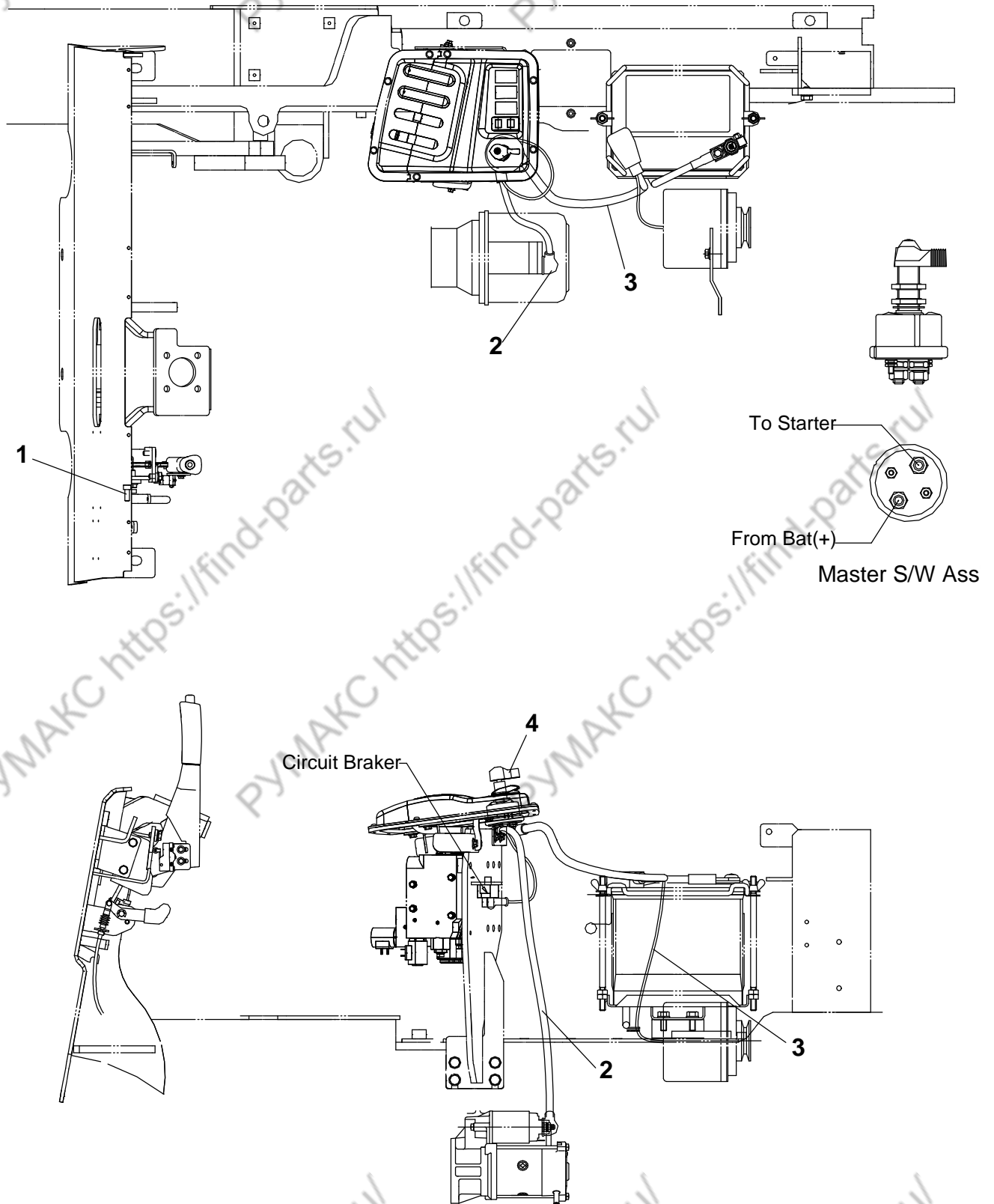


D15/18S5 D20SC-5

FIG.7-040-2

A402825 Lamp Ass. ʘy & Turn Signal - Option - LH

NOTE	ITEM NO.	PART NUMBER	QTY	DESCRIPTION	CHANGE CODE	START SERIAL NO.					
						EM0UT	EM0UU	FDA01	FDA02	FDA03	-
	2-01	A334150	1	Lamp Ass. ʘy							
	2-011	D147672	1	Bulb-Halogen Long Life							
	2-02	A402558	1	Bracket Ass. ʘy-LH							
	2-03	A402623	1	Bracket Ass. ʘy-LH							
	2-04	A334149	1	Lamp Ass. ʘy-Turn Signal							
	2-041	300710-00008	1	Bulb							
	2-05	A402592	1	Bracket Ass. ʘy-Lamp							
	2-06	S0508863	3	Bolt							
	2-07	S5102503	3	Washer							
	2-08	S0556463	1	Bolt							
	2-09	S4012533	1	Nut							

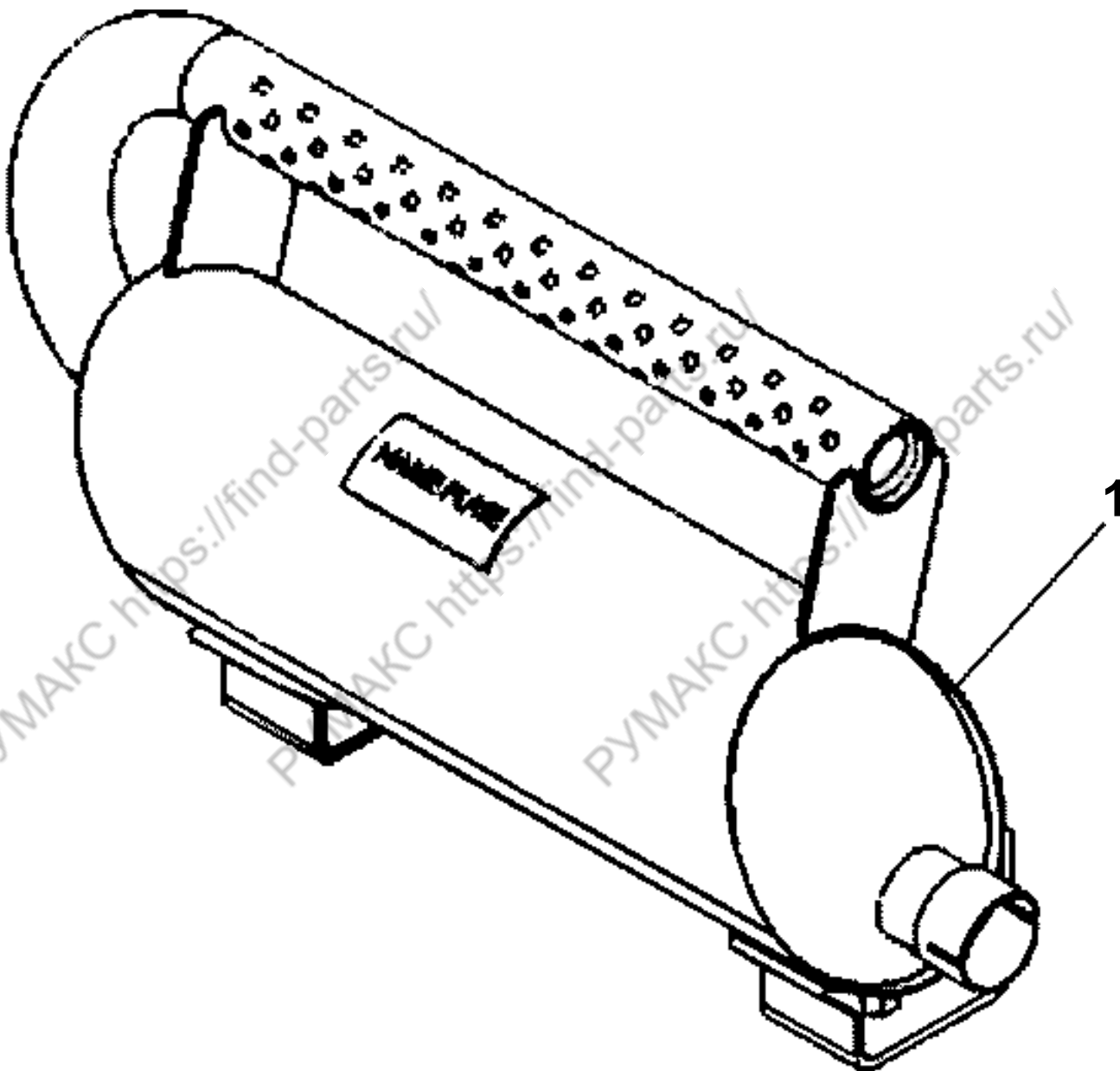


D15/18S5 D20SC-5

FIG.7-050-0

A381422 Change Over Arrangement - EU

NOTE	ITEM NO.	PART NUMBER	QTY	DESCRIPTION	CHANGE CODE	START SERIAL NO.					
						EM0UT	EM0UU	FDA01	FDA02	FDA03	-
	1	S2208865	1	Bolt							
	2	A224018	1	Cable As-S/W To Starter & Circuit							
	3	A274059	1	Cable As-BAT. To S/W & Alt.							
	4	D700330	1	Switch Ass. y-Master							

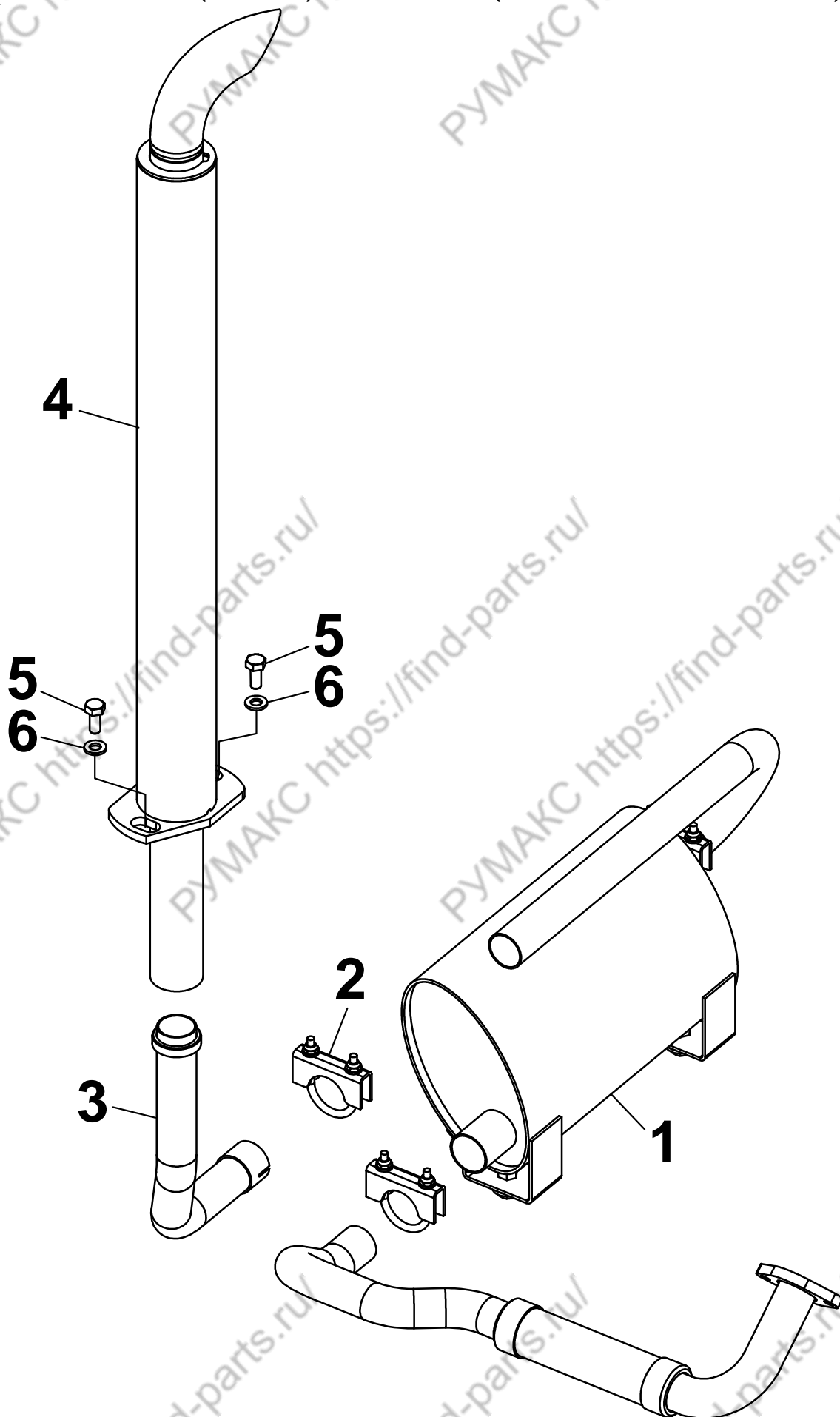


D15/18S5 D20SC-5

FIG.7-060-1

D802465 Changeover AR. - Catalytic Muffler

NOTE	ITEM NO.	PART NUMBER	QTY	DESCRIPTION	CHANGE CODE	START SERIAL NO.					
						EM0UT	EM0UU	FDA01	FDA02	FDA03	-
	1	A383554	1	Catalytic Muffler(2 Way)							

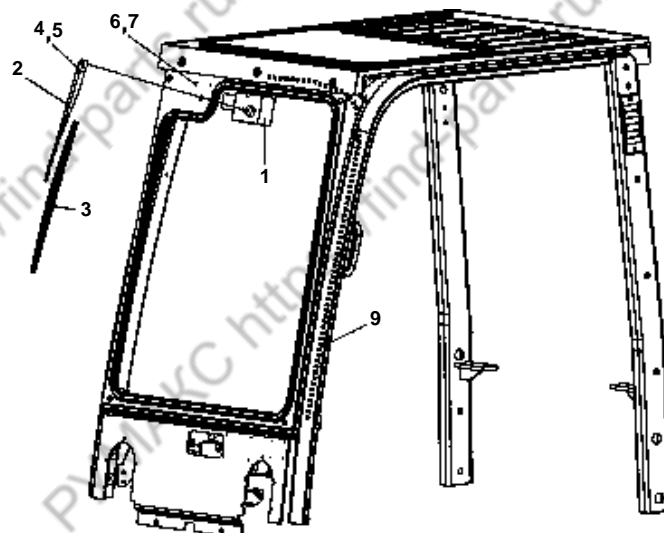
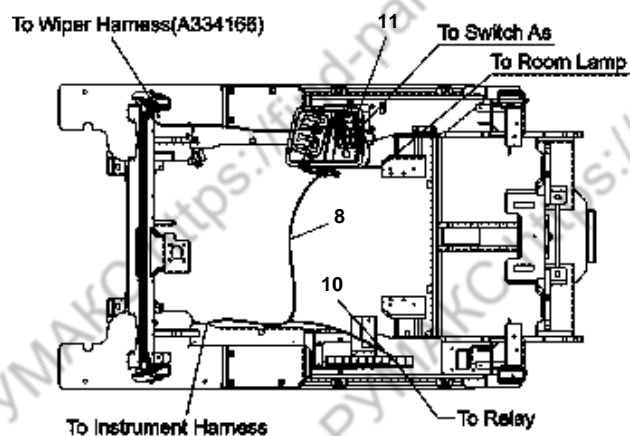


D15/18S5 D20SC-5

FIG.7-060-2

A381559 Changeover AR. - Vertical Muffler

NOTE	ITEM NO.	PART NUMBER	QTY	DESCRIPTION	CHANGE CODE	START SERIAL NO.					
						EM0UT	EM0UU	FDA01	FDA02	FDA03	-
	1	A381565	1	Muffler-Vertical							
	2	A218501	1	Clamp Ass. ½y							
	3	A381560	1	Tube Ass. ½y							
	4	A271729	1	Tube Ass. ½y							
	5	S0512063	2	Bolt							
	6	D917109	2	Washer							



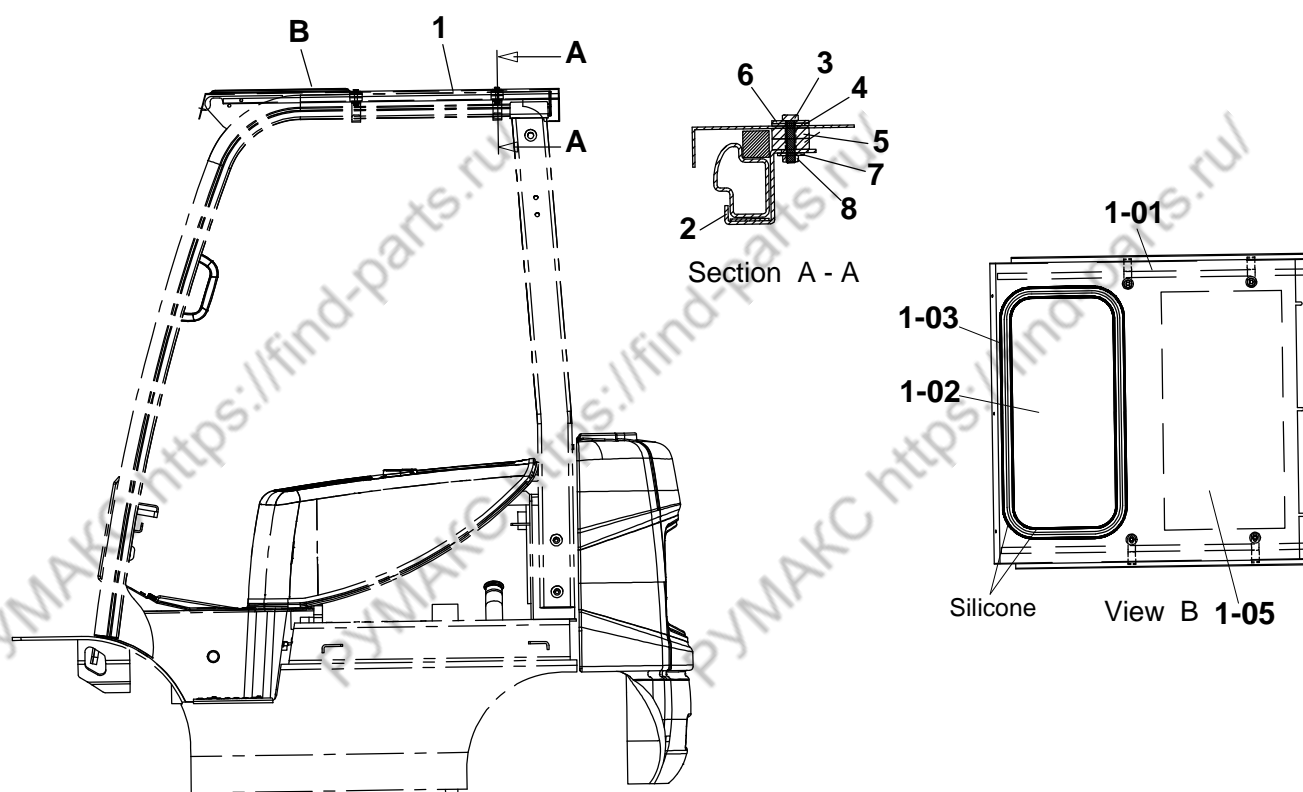
D15/18S5 D20SC-5

FIG.7-070-0

A381568 Wiper Gp - Modular Cabin

NOTE	ITEM NO.	PART NUMBER	QTY	DESCRIPTION	CHANGE CODE	START SERIAL NO.					
						EM0UT	EM0UU	FDA01	FDA02	FDA03	-
	1	A214302	1	Motor Ass. ʎy-Wiper							
	2	D811394	1	Arm							
	3	D811393	1	Blade							
	4	A141566	1	Cover							
	5	S4016333	1	Nut							
	6	D658787	2	Washer-Clip							
	7	S3450863	2	Screw							
	8	A404144	1	Harness Ass. ʎy							
	9	A334166	1	Harness Ass. ʎy							
	10	D187477	1	Relay							
	11	A404031	1	Switch Ass. ʎy							

<https://find-parts.ru/>
<https://find-parts.ru/>
<https://find-parts.ru/>

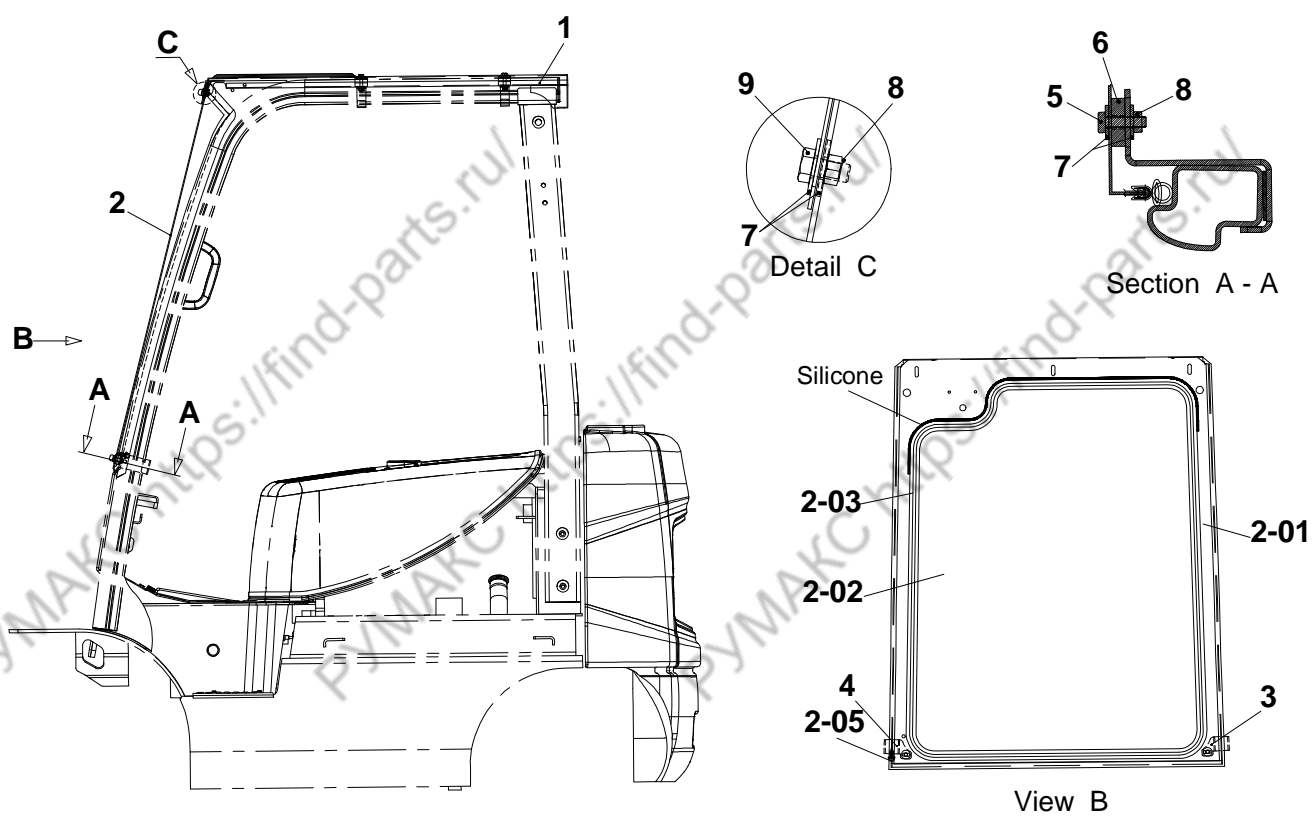


D15/18S5 D20SC-5

FIG.7-080-0

A381518 Modular Cabin - A Type

NOTE	ITEM NO.	PART NUMBER	QTY	DESCRIPTION	CHANGE CODE	START SERIAL NO.					
						EM0UT	EM0UU	FDA01	FDA02	FDA03	-
Z	1	A381720	1	Top Cover Ass. ʹy							
	1-01		1	Top Plate Weld Ass. ʹy							
E	1-02	A381722	1	Top Glass							
	1-03	A131593	240	H-Rubber							
	1-05	A381723	1	Top Insulation Ass. ʹy							
	2	A381724	4	Top Bracket							
	3	S0509463	4	Bolt							
	4	A133169	4	Rubber Washer							
	5	A213660	8	Rubber Washer							
	6	D917006	4	Washer							
7	D917095	4	Washer								
	8	S4012333	4	Nut							

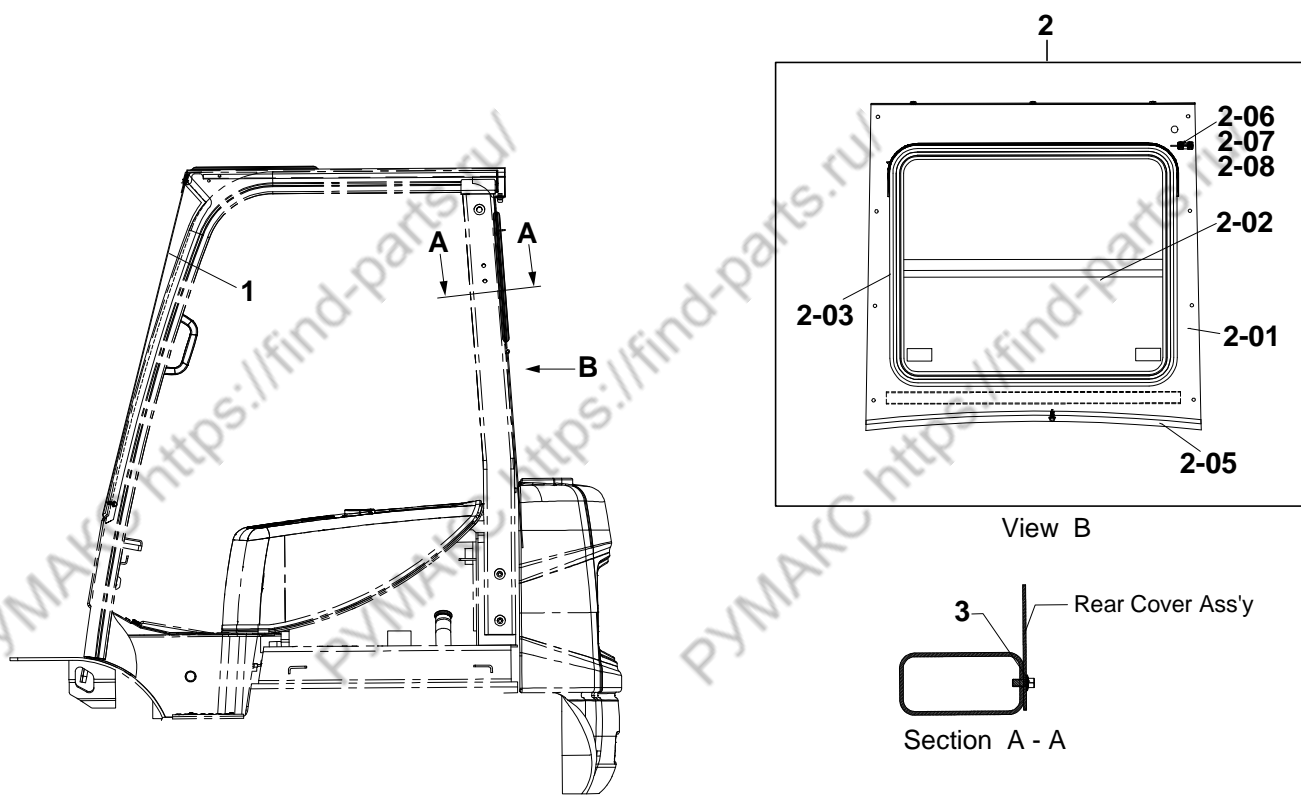


D15/18S5 D20SC-5

FIG.7-090-0

A381519 Modular Cabin - B Type

NOTE	ITEM NO.	PART NUMBER	QTY	DESCRIPTION	CHANGE CODE	START SERIAL NO.					
						EMOUT	EM0UU	FDA01	FDA02	FDA03	-
Y,Z	1	A381518	1	Modular Cabin-A Type							
	2	A381726	1	Front Cover Ass. ʹy							
Z	2-01		1	Front Cover							
	2-02	A381727	1	Front Glass							
E	2-03	A131593	380	H-Rubber							
E	2-05	A211631	330	Strip-Bulk							
	3	A381728	1	Front Bracket-LH							
	4	A381729	1	Front Bracket-RH							
	5	S0509063	2	Bolt							
	6	A213660	2	Rubber Washer							
	7	D917095	10	Washer							
	8	S4012533	5	Nut							
	9	S0508863	3	Bolt							

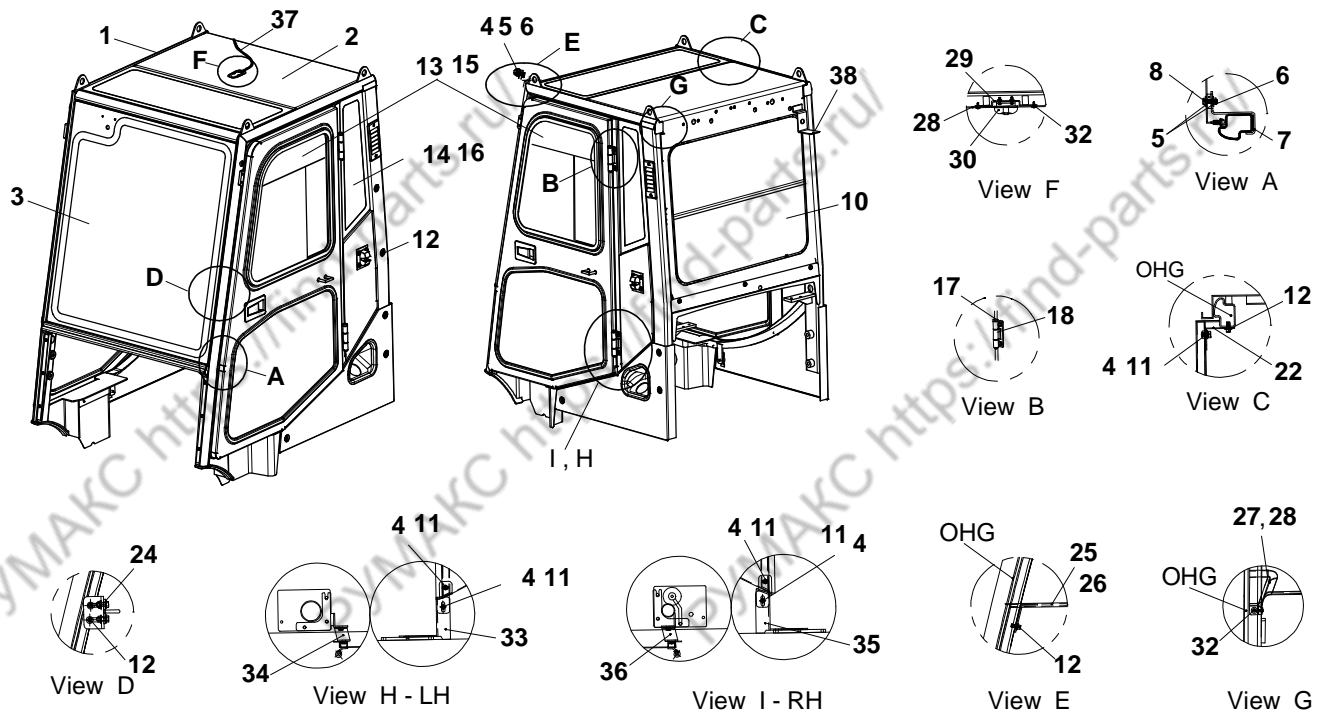


D15/18S5 D20SC-5

FIG.7-100-0

A381520 Modular Cabin - C Type

NOTE	ITEM NO.	PART NUMBER	QTY	DESCRIPTION	CHANGE CODE	START SERIAL NO.					
						EM0UT	EM0UU	FDA01	FDA02	FDA03	-
Y,Z	1	A381519	1	Modular Cabin-B Type							
	2	A381731	1	Rear Cover Ass. ʹy							
Z	2-01		1	Rear Cover Weld Ass. ʹy							
	2-02	A381723	1	Rear Chassis							
E	2-03	A131593	310	H-Rubber							
E	2-05	A211631	100	Strip-Bulk							
	2-06	A382059	1	Rear Lamp Plate							
	2-07	S0508863	2	Bolt							
	2-08	D917168	2	Washer							
	3	A501991	6	Tapping Bolt							

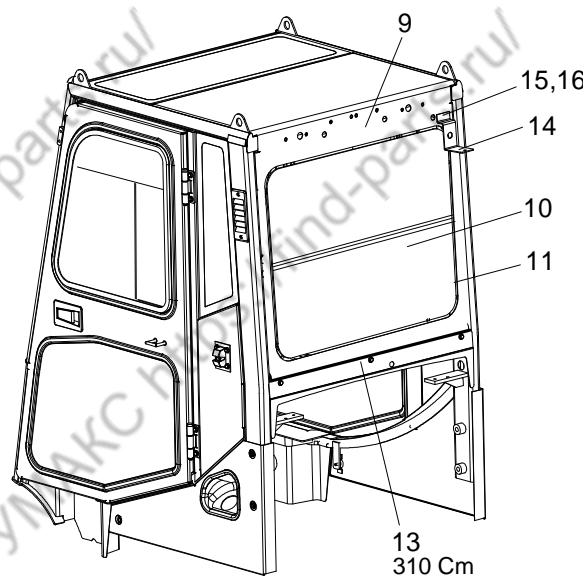
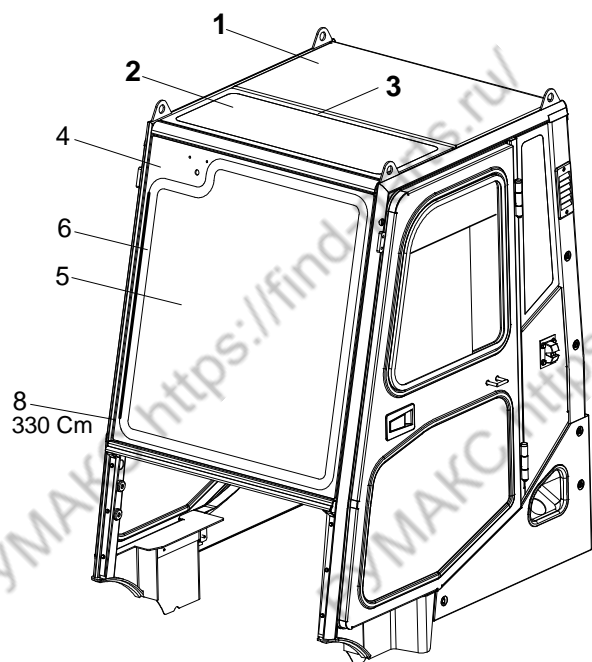


D15/18S5 D20SC-5

FIG.7-110-0

A381521 Cabin Ass. ʘy - D Type

NOTE	ITEM NO.	PART NUMBER	QTY	DESCRIPTION	CHANGE CODE	START SERIAL NO.				
						EM0UT	EM0UU	FDA01	FDA02	FDA03
	1	A381762	2	Rubber-Bar						
Y	2	A381758	1	Cover Ass. ʘy-Top						
Y	3	A381769	1	Cover Ass. ʘy-Front						
	4	S0508663	12	Bolt						
	5	D917095	10	Washer						
	6	S4012533	5	Nut						
	7	A381772	2	Bracket-Top						
	8	S0509063	2	Bolt						
Y	10	A381773	1	Cover Ass. ʘy-Rear						
	11	D917168	9	Washer						
	12	A501991	26	Bolt						
Y	13	A381792	1	Open Door Ass. ʘy-LH						
Y	14	A381817	1	Fix Door Ass. ʘy-LH						
Y	15	A381809	1	Open Door Ass. ʘy-RH						
Y	16	A381837	1	Fix Door Ass. ʘy-RH						
	17	A381785	4	Hinge-Pin						
	18	A381788	16	Washer						
	22	A381822	2	Bracket-OHG Fix Plate						
	24	A381789	1	Bracket Ass. ʘy-Strike						
	25	A381832	1	Cover Ass. ʘy-LH						
	26	A381849	1	Cover Ass. ʘy-RH						
	27	A381765	1	Top Interior Weld						
	28	A381764	1	Top Interior Weld						
	29	A381767	1	Bracket-Room Lamp						
	30	A381768	1	Lamp						
	32	A501971	15	Screw						
	33	A381830	1	Lower Bracket-LH-Fix Door						
	34	A381831	1	Strike Bracket-LH-Fix Door						
	35	A381845	1	Lower Bracket-RH-Fix Door						
	36	A381848	1	Strike Bracket-RH-Fix Door						
	37	A404097	1	Harness Ass. ʘy-Room Lamp						
	38	A381778	1	Plate-Rear Lamp						

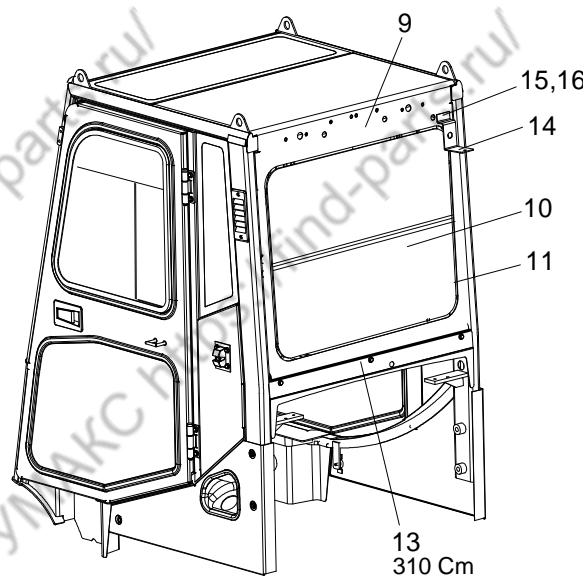
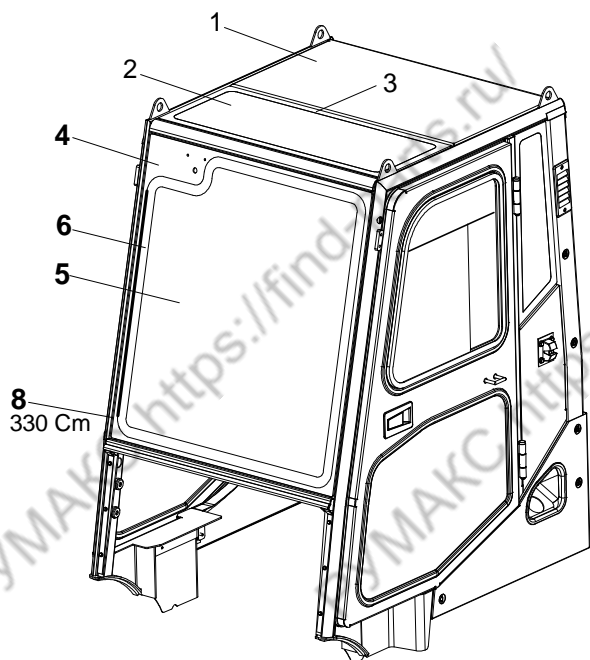


D15/18S5 D20SC-5

FIG.7-110-1

A381758 Cover Ass. ʘy - Top

NOTE	ITEM NO.	PART NUMBER	QTY	DESCRIPTION	CHANGE CODE	START SERIAL NO.					
						EM0UT	EM0UU	FDA01	FDA02	FDA03	-
Z	1		1	Top Cover-Weld Ass. ʘy							
	2	A381761	1	Top Glass							
	3	A131593	1	H-Rubber							

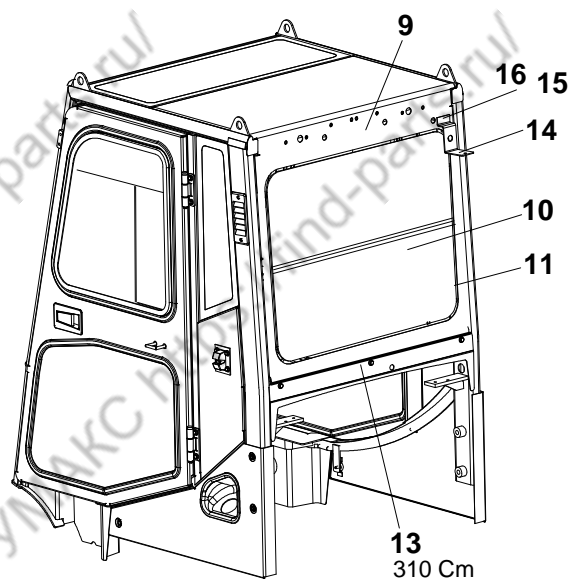
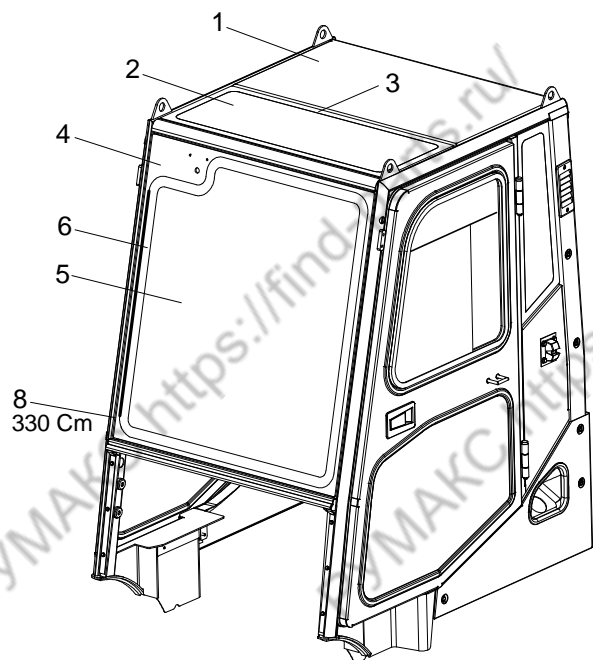


D15/18S5 D20SC-5

FIG.7-110-1

A381769 Cover Ass. 7y - Front

NOTE	ITEM NO.	PART NUMBER	QTY	DESCRIPTION	CHANGE CODE	START SERIAL NO.					
						EM0UT	EM0UU	FDA01	FDA02	FDA03	-
Z	4		1	Cover-Front							
	5	A381770	1	Glass-Front							
	6	A131593	1	H-Rubber							
E	8	A211631	333	Strip-Bulk							

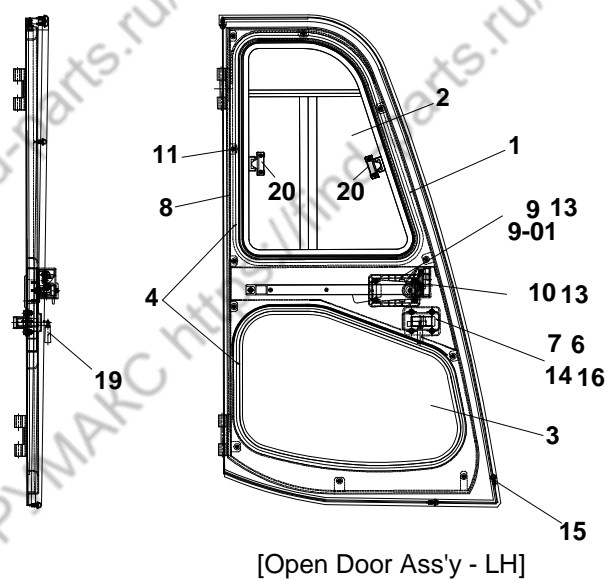
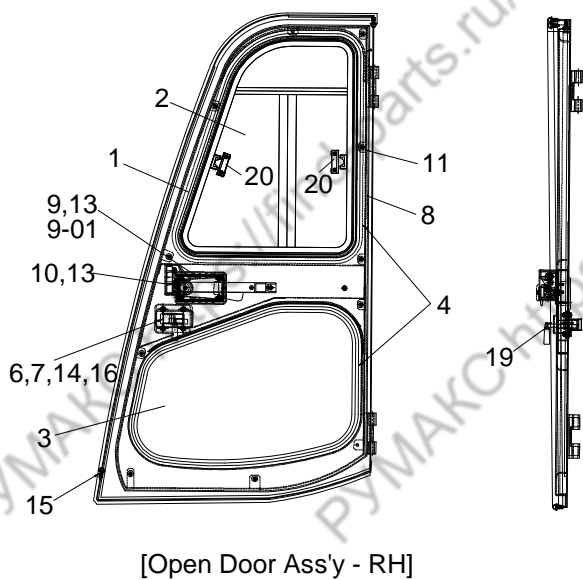


D15/18S5 D20SC-5

FIG.7-110-1

A381773 Cover Ass. 7y - Rear

NOTE	ITEM NO.	PART NUMBER	QTY	DESCRIPTION	CHANGE CODE	START SERIAL NO.					
						EM0UT	EM0UU	FDA01	FDA02	FDA03	-
Z	9		1	Cover Ass. 7y-Rear Weld							
	10	A381776	1	Chassis-Rear							
E	11	A131593	310	H-Rubber							
	13	A211631	1	Strip-Bulk							
	14	A381777	1	Plate-Rear Lamp							
	15	S0508863	2	Bolt							
	16	D917168	2	Washer							

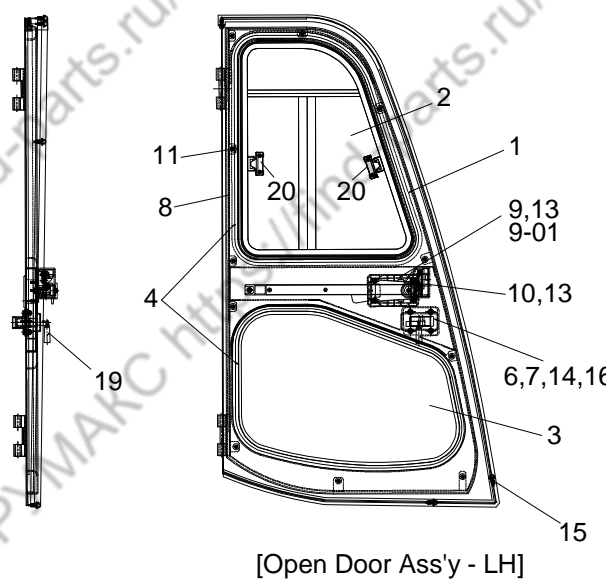
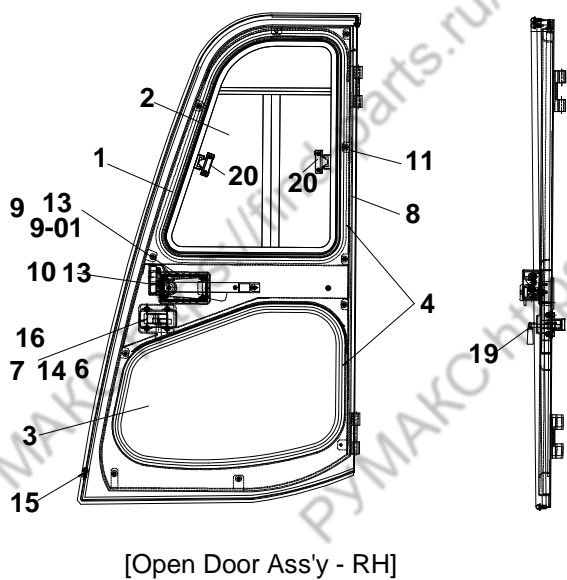


D15/18S5 D20SC-5

FIG.7-110-2

A381792 Open Door Ass. ʘy - LH

NOTE	ITEM NO.	PART NUMBER	QTY	DESCRIPTION	CHANGE CODE	START SERIAL NO.				
						EMOUT	EMOUU	FDA01	FDA02	FDA03
Z	1		1	Open Door Weld Ass. ʘy-LH						
	2	A381796	1	Side Chassis						
	3	A381797	1	Side Lower Glass						
E	4	A131593	420	H-Rubber						
	6	A381802	1	Back Catch Cover						
	7	A381801	1	Catch						
	8	A381795	1	Side Interior-LH						
	9	A501981	1	Handle-Outer						
		A159290	1	Key Set						
	10	A408829	1	Handle-Inner-LH						
	11	A501971	11	Screw						
	13	S3450983	5	Screw						
	14	S4012533	4	Nut-Hex						
E	15	A211631	273	Strip-Bulk						
	16	S0508863	4	Bolt						
	19	A381803	1	Lever-Catch						
	20	A159306	2	Lock Ass. ʘy						

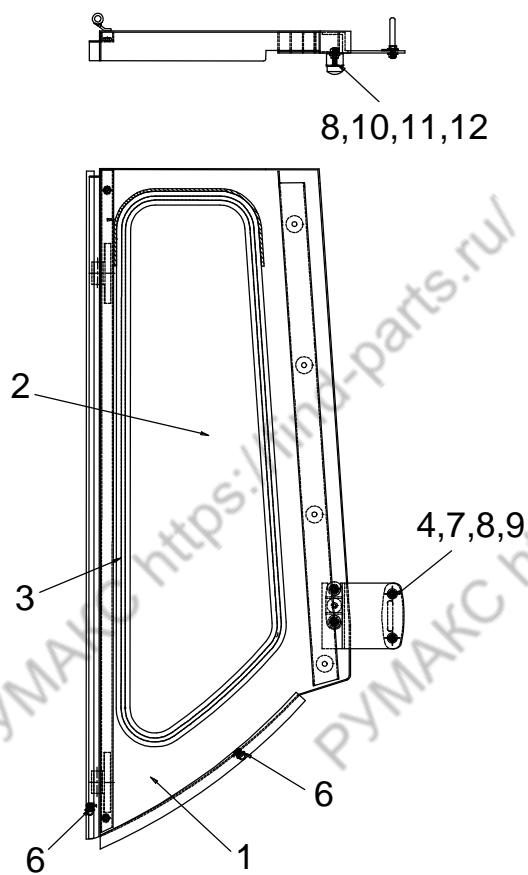


D15/18S5 D20SC-5

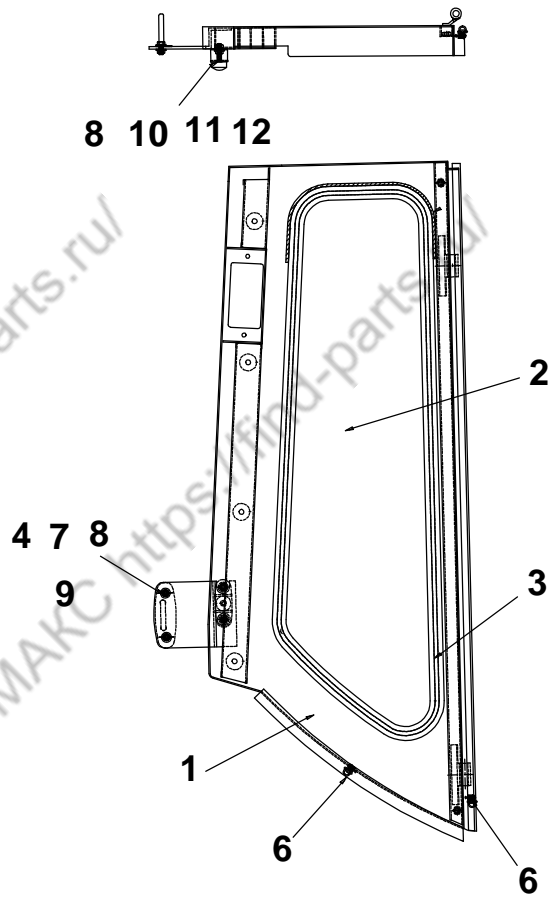
FIG.7-110-2

A381809 Open Door Ass. ʘy - RH

NOTE	ITEM NO.	PART NUMBER	QTY	DESCRIPTION	CHANGE CODE	START SERIAL NO.				
						EM0UT	EM0UU	FDA01	FDA02	FDA03
Z	1		1	Open Door Weld Ass. ʘy-RH						
	2	A381796	1	Side Chassis						
	3	A381797	1	Side Lower Glass						
E	4	A131593	420	H-Rubber						
	6	A381802	1	Back Catch Cover						
	7	A381801	1	Catch						
	8	A381812	1	Side Interior-RH						
	9	A501981	1	Handle-Outer						
		A159290	1	Key Set						
	10	A381813	1	Handle-Inner-RH						
	11	A501971	11	Screw						
	13	S3450983	5	Screw						
	14	S4012533	4	Nut-Hex						
E	15	A211631	273	Strip-Bulk						
	16	S0508863	4	Bolt						
	19	A381803	1	Lever-Catch						
	20	A159306	2	Lock Ass. ʘy						



[Fix Door Ass'y - RH]



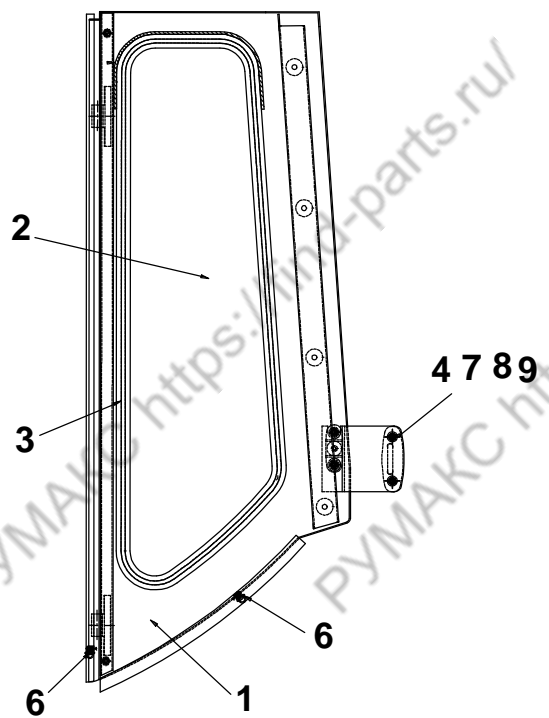
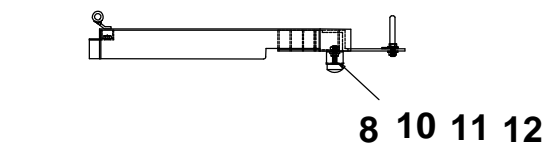
[Fix Door Ass'y - LH]

D15/18S5 D20SC-5

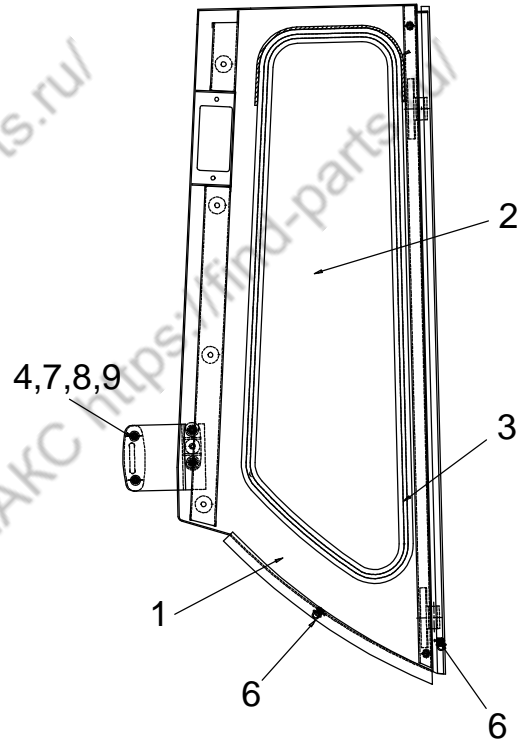
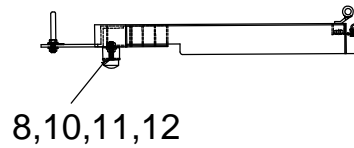
FIG.7-110-3

A381817 Fix Door Ass. ʘy - LH

NOTE	ITEM NO.	PART NUMBER	QTY	DESCRIPTION	CHANGE CODE	START SERIAL NO.					
						EM0UT	EM0UU	FDA01	FDA02	FDA03	-
E	1	A381818	1	Fix Door Ass. ʘy-LH							
	2	A381820	1	Fix Door Glass							
	3	A131593	1	H-Rubber							
	4	A381821	1	Bracket Ass. ʘy							
	6	A211631	184	Strip-Bulk							
	7	S0508863	2	Bolt							
	8	D917168	6	Washer							
	9	S4012533	4	Nut							
	10	A381827	1	Stopper-Bracket							
	11	S0508663	2	Bolt							
	12	A381829	1	Stopper-LH							



[Fix Door Ass'y - RH]



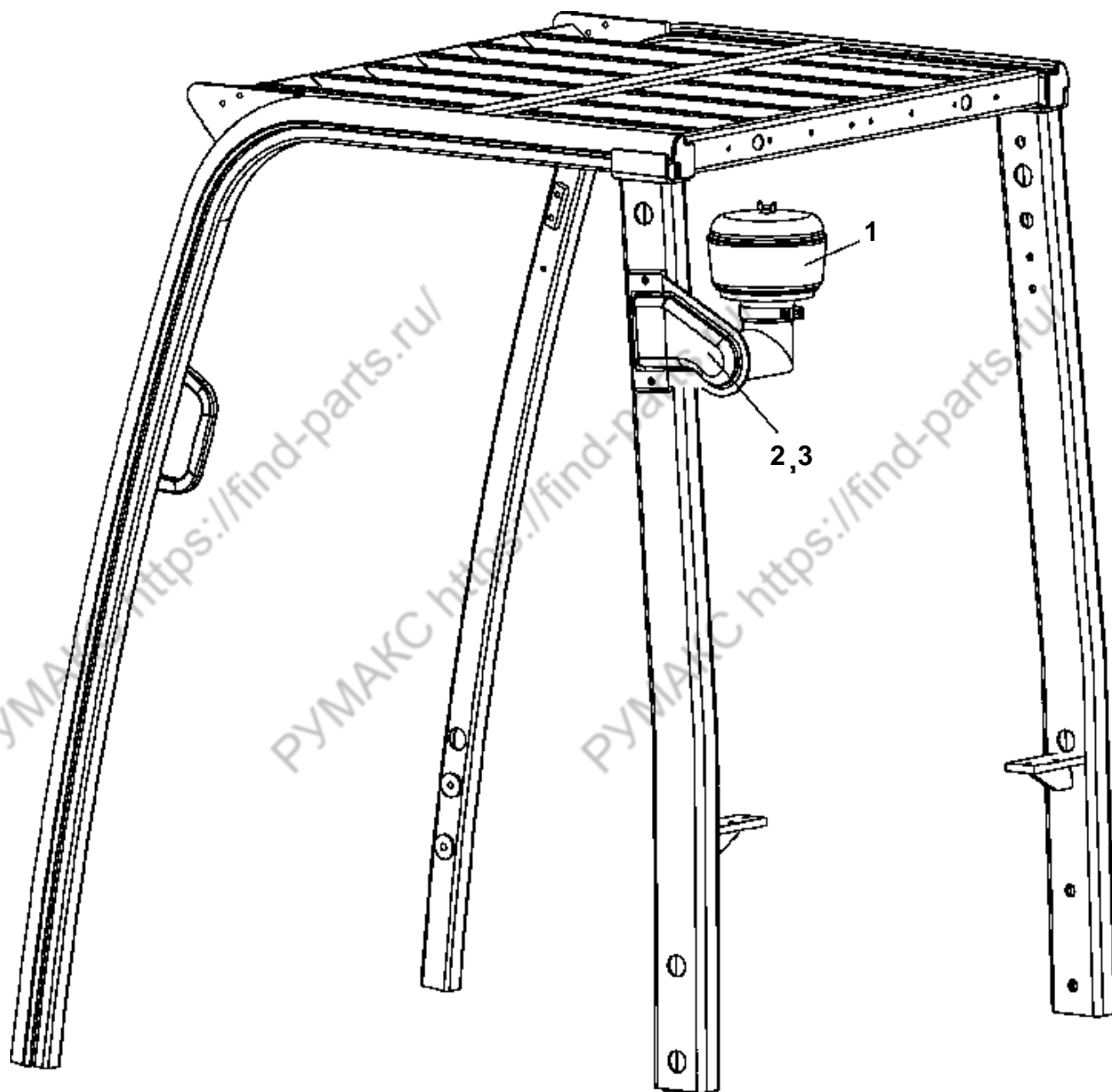
[Fix Door Ass'y - LH]

D15/18S5 D20SC-5

FIG.7-110-3

A381837 Fix Door Ass. ʘy - RH

NOTE	ITEM NO.	PART NUMBER	QTY	DESCRIPTION	CHANGE CODE	START SERIAL NO.					
						EM0UT	EM0UU	FDA01	FDA02	FDA03	-
E	1	A381838	1	Fix Door Ass. ʘy-RH							
	2	A381820	1	Fix Door Glass							
	3	A131593	1	H-Rubber							
	4	A381821	1	Bracket Ass. ʘy							
	6	A211631	184	Strip-Bulk							
	7	S0508863	2	Bolt							
	8	D917168	6	Washer							
	9	S4012533	4	Nut							
	10	A381827	1	Stopper-Bracket							
	11	S0508663	2	Bolt							
	12	A381828	1	Stopper-RH							

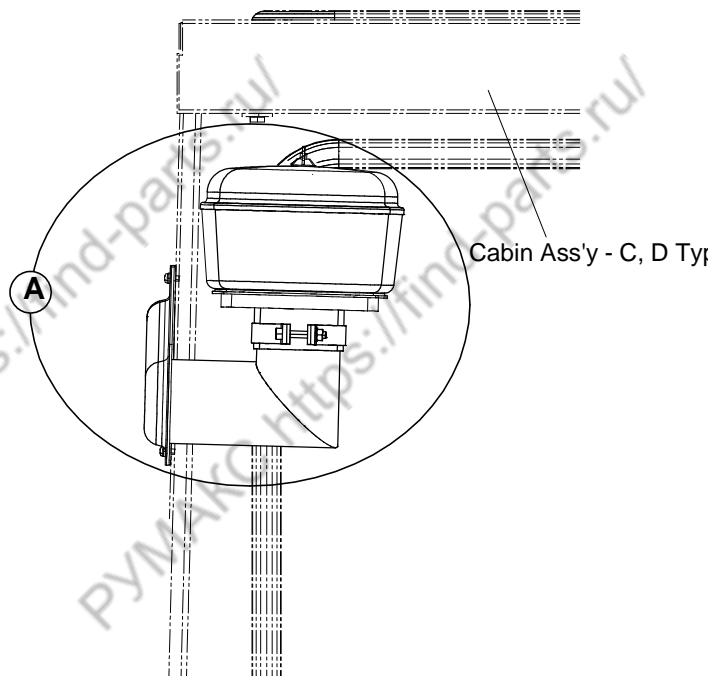
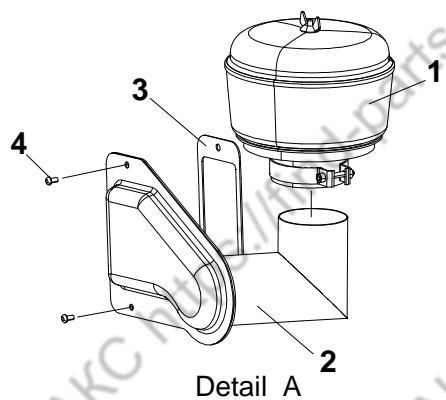


D15/18S5 D20SC-5

FIG.7-120-1

A381403 Changeover AR. - Pre Cleaner - STD

NOTE	ITEM NO.	PART NUMBER	QTY	DESCRIPTION	CHANGE CODE	START SERIAL NO.					
						EM0UT	EM0UU	FDA01	FDA02	FDA03	-
	1	A212066	1	Pre Cleaner							
	2	A381404	1	Mount Ass. ʘy							
	3	A212065	1	Gasket							

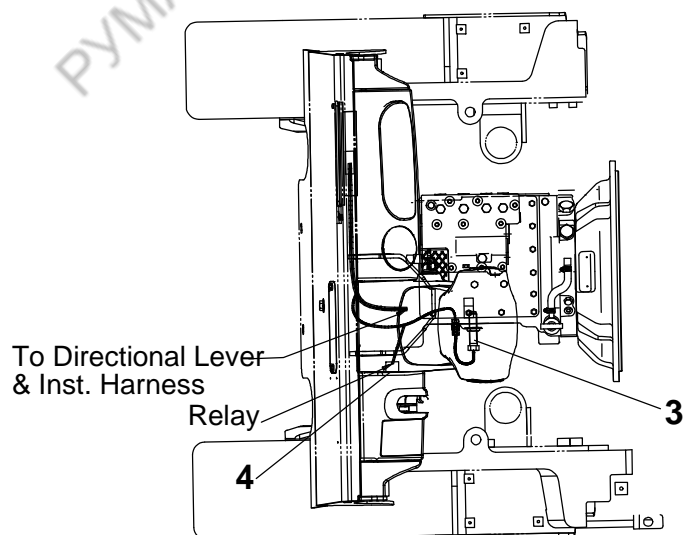
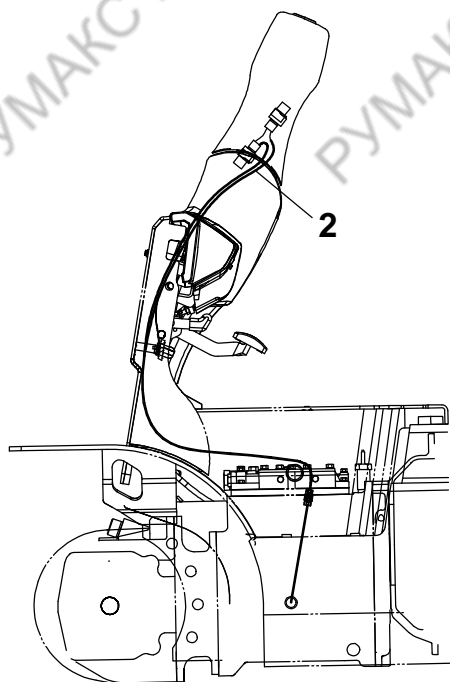
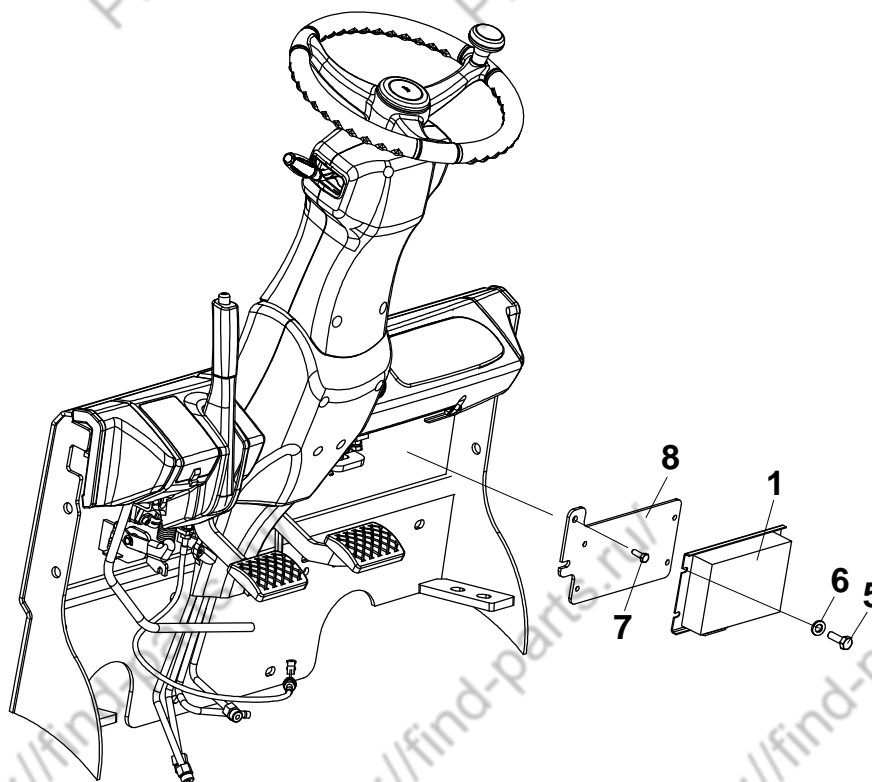


D15/18S5 D20SC-5

FIG.7-120-2

A408872 Changeover AR. - Pre Cleaner - Cabin

NOTE	ITEM NO.	PART NUMBER	QTY	DESCRIPTION	CHANGE CODE	START SERIAL NO.					
						EM0UT	EM0UU	FDA01	FDA02	FDA03	-
	1	A212066	1	Pre Cleaner							
	2	A408714	1	Mount Ass. ъy							
	3	A212065	1	Gasket							
	4	S3450853	2	Screw							



D15/18S5 D20SC-5

FIG.7-130-0

D802620 Changeover AR. - Autoshift Controller

NOTE	ITEM NO.	PART NUMBER	QTY	DESCRIPTION	CHANGE CODE	START SERIAL NO.					
						EM0UT	EM0UU	FDA01	FDA02	FDA03	-
	1	A384017	1	Controller Ass. ʘy							
	2	A381713	1	Controller Gp-FCU							
	3	A234067	1	Sensor Ass. ʘy							
	4	D187477	1	Relay							
	5	S0504363	4	Bolt							
	6	S5010313	4	Washer							
	7	S0509063	2	Bolt							
	8	A381712	1	Plate							

PYMAKC <https://find-parts.ru/>

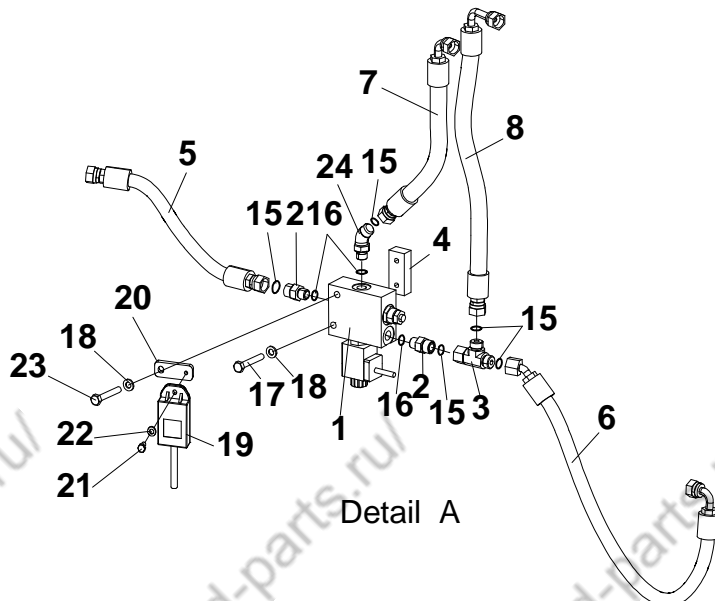
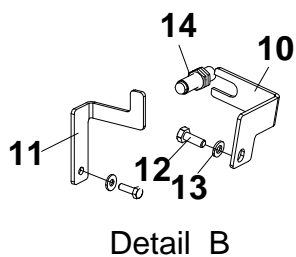
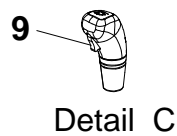
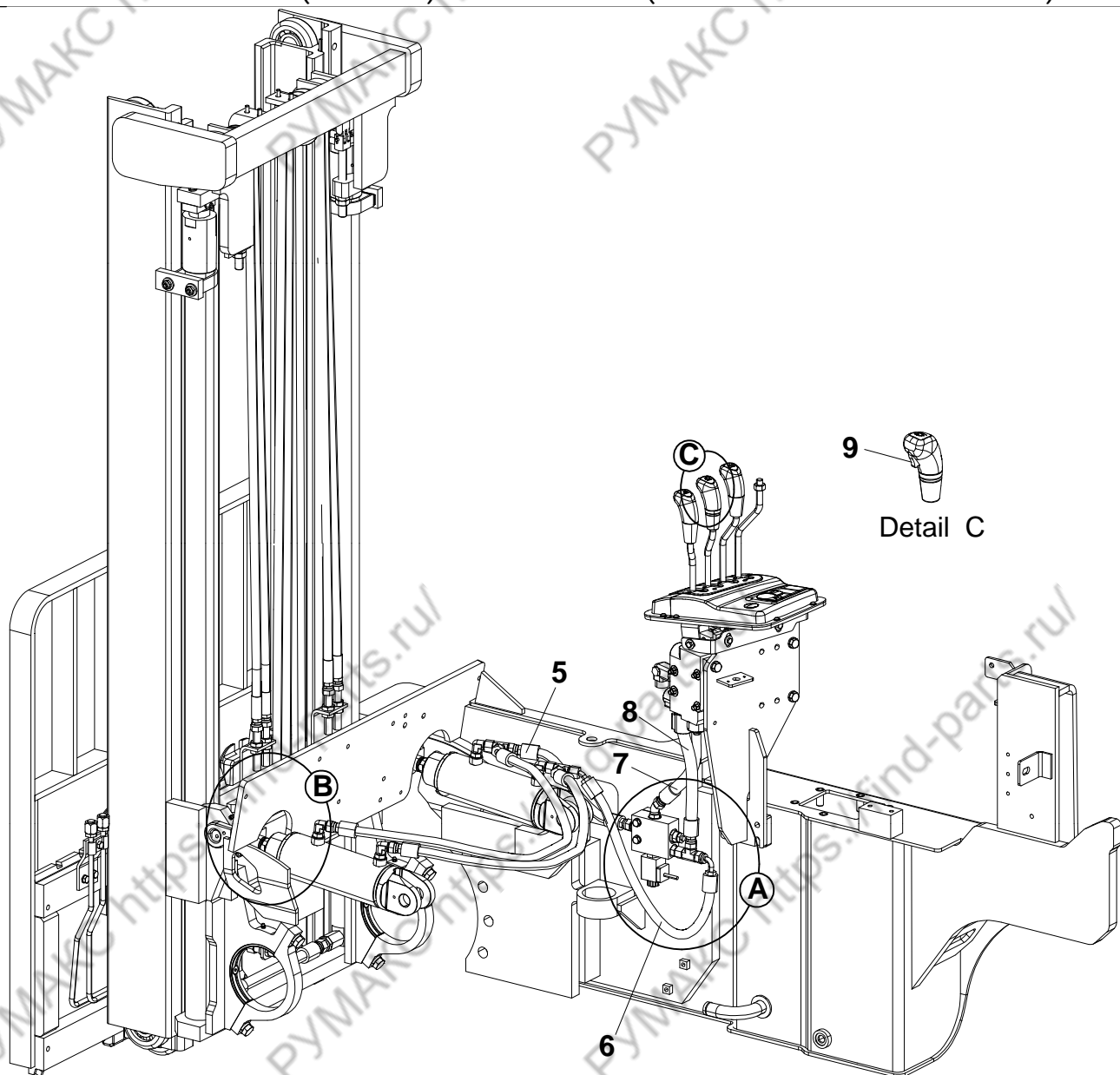
PYMAKC <https://find-parts.ru/>

PYMAKC <https://find-parts.ru/>

<https://find-parts.ru/>

<https://find-parts.ru/>

<https://find-parts.ru/>

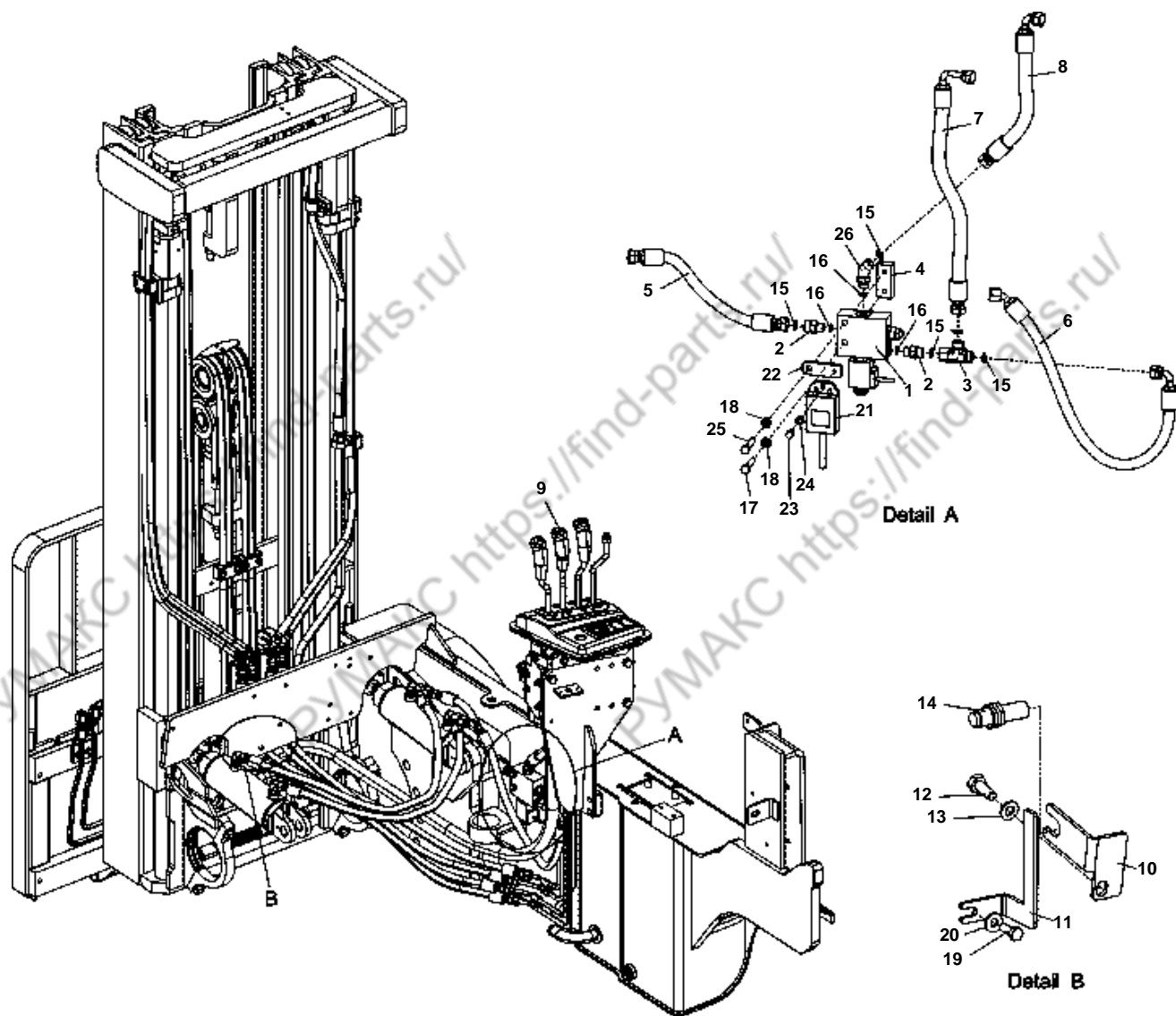


D15/18S5 D20SC-5

FIG.7-140-1

D802469 Changeover AR. - Autotilt Leveling - STD

NOTE	ITEM NO.	PART NUMBER	QTY	DESCRIPTION	CHANGE CODE	START SERIAL NO.					
						EMOUT	EMOUU	FDA01	FDA02	FDA03	-
	1	D512819	1	Valve Ass. ʘy-Attach							
	2	D905037	2	Connector							
	3	A225038	1	Tee							
	4	A381686	1	Plate							
	5	DS2029068	1	Hose Ass. ʘy							
	6	DS2021229	1	Hose Ass. ʘy							
	7	DS20131191	1	Hose Ass. ʘy							
	8	DS2013328	1	Hose Ass. ʘy							
	9	A484422	1	Knob Ass. ʘy-Switch							
	10	A381689	1	Bracket							
	11	A381690	1	Bracket							
	12	S0512163	1	Bolt							
	13	D917093	1	Washer							
	14	A524103	1	Sensor Ass. ʘy							
	15	S8030061	5	O-Ring							
	16	S8040061	3	O-Ring							
	17	S0556363	1	Bolt							
	18	D917092	2	Washer							
	19	A524102	1	Control Unit							
	20	A411635	1	Plate							
	21	S0504463	1	Bolt							
	22	S5010313	1	Washer							
	23	S0556463	1	Bolt							
	24	D902033	1	Elbow-45							

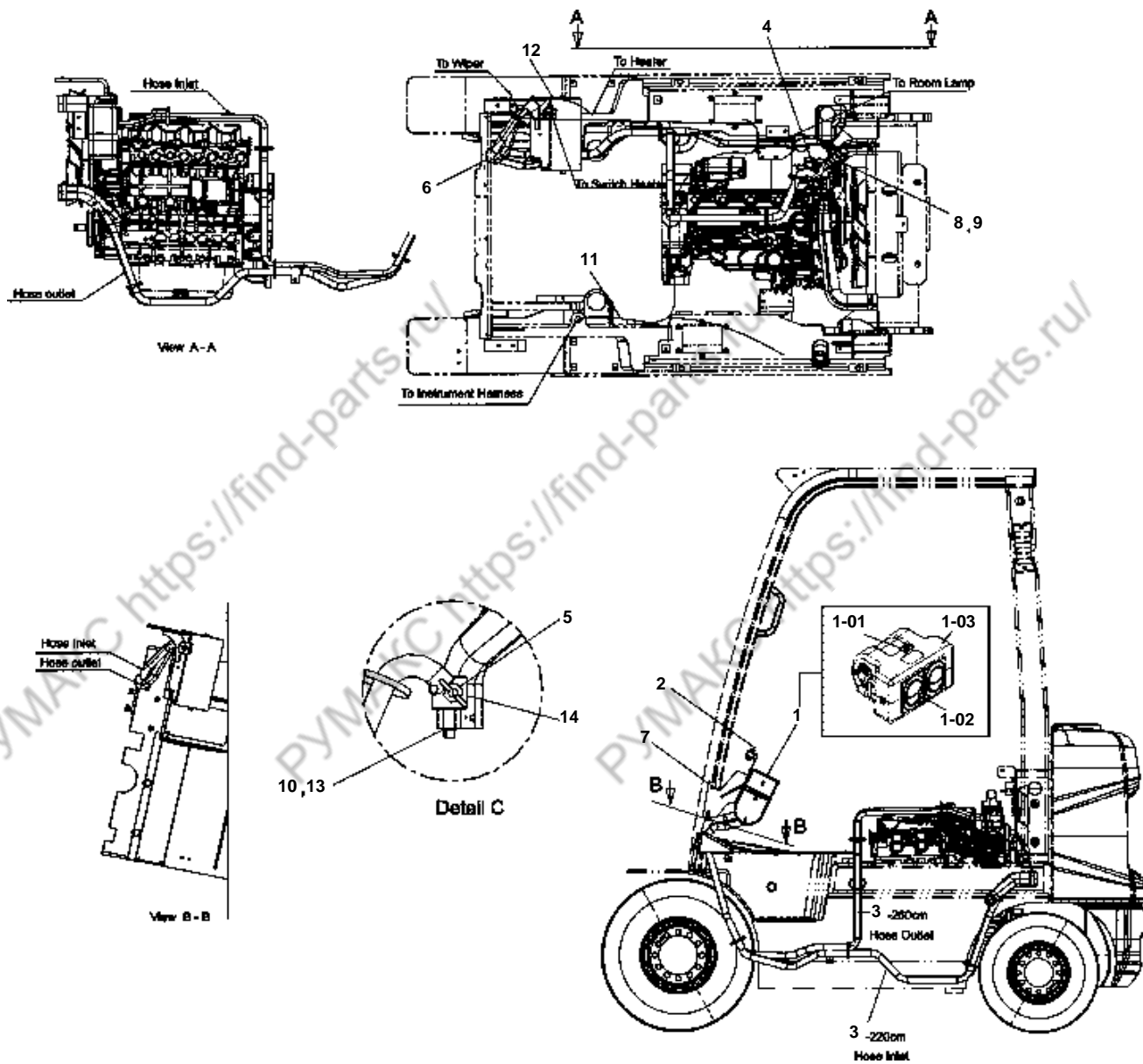


D15/18S5 D20SC-5

FIG.7-140-2

D802466 Changeover AR. - Autotilt Leveling - FFT

NOTE	ITEM NO.	PART NUMBER	QTY	DESCRIPTION	CHANGE CODE	START SERIAL NO.					
						EMOUT	EMOUU	FDA01	FDA02	FDA03	-
	1	D512819	1	Valve Ass. y Attach							
	2	D905037	2	Connector							
	3	A225038	1	Tee							
	4	A381686	1	Plate							
	5	DS2029068	1	Hose Ass. y							
	6	DS2021229	1	Hose Ass. y							
	7	DS20131191	1	Hose Ass. y							
	8	DS2013328	1	Hose Ass. y							
	9	A404193	1	Switch							
	10	A381711	1	Bracket							
	11	A381685	1	Bracket							
	12	S0512163	1	Bolt							
	13	D917093	1	Washer							
	14	A524103	1	Sensor Ass. y							
	15	S8030061	5	O-Ring							
	16	S8040061	3	O-Ring							
	17	S0556363	1	Bolt							
	18	D917092	2	Washer							
	19	S0509063	1	Bolt							
	20	D917168	1	Washer							
	21	A524102	1	Control Unit							
	22	A411635	1	Plate							
	23	S0504463	1	Bolt							
	24	S5010313	1	Washer							
	25	S0556463	1	Bolt							
	26	D902033	1	Elbow Ass. y							
	-	A384018	1	Harness Assy - Auto Tilt Leveling							

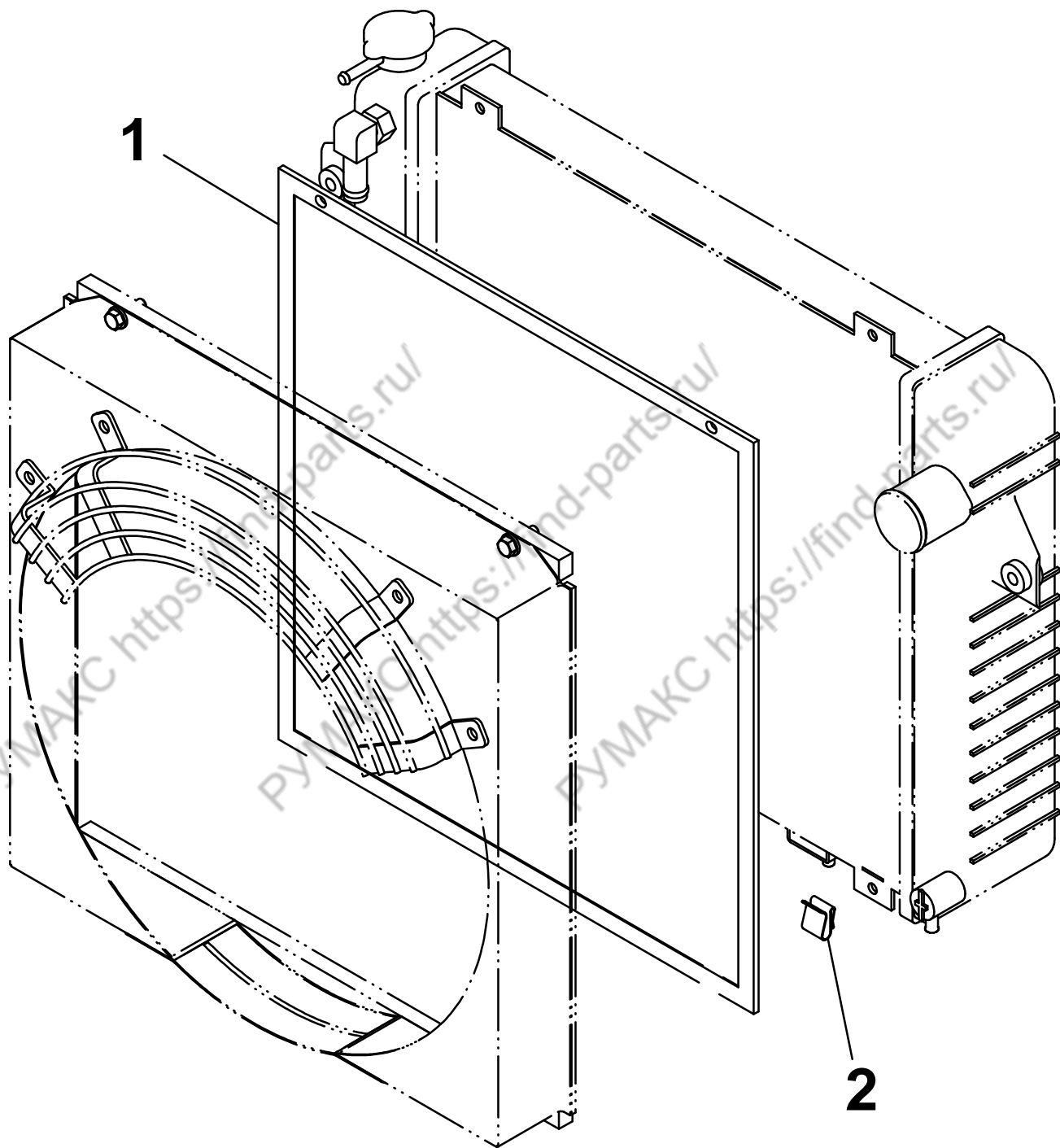


D15/18S5 D20SC-5

FIG.7-150-0

440207-00027 Heater Gp

NOTE	ITEM NO.	PART NUMBER	QTY	DESCRIPTION	CHANGE CODE	START SERIAL NO.					
						EM0UT	EM0UU	FDA01	FDA02	FDA03	-
E	1	A214317	1	Heater Ass. ʘy	N						
	1-01	A214326	1	Motor Ass. ʘy							
	1-02	A134180	2	Dri Air Vent							
	1-03	A134181	1	Kit Screw							
	2	D187107	1	Switch Ass. ʘy-Heater							
	3	D909179	480	Hose - Bulk							
	4	S8450016	4	Clamp							
	5	D909178	1	Valve							
	6	D580786	7	Strap							
	7	A381561	1	Bracket Ass. ʘy							
C	8	A292247	1	Tube Ass. ʘy	N						
	9	S8450035	2	Clamp							
	10	DS2260022	1	Adapter							
	11	A404101	1	Harness Ass. ʘy							
		A404144	1	Harness Ass. ʘy							
	12	A404096	1	Harness Ass. ʘy							
	13	D917086	1	Washer							
14	430225-0001	1	Tee								



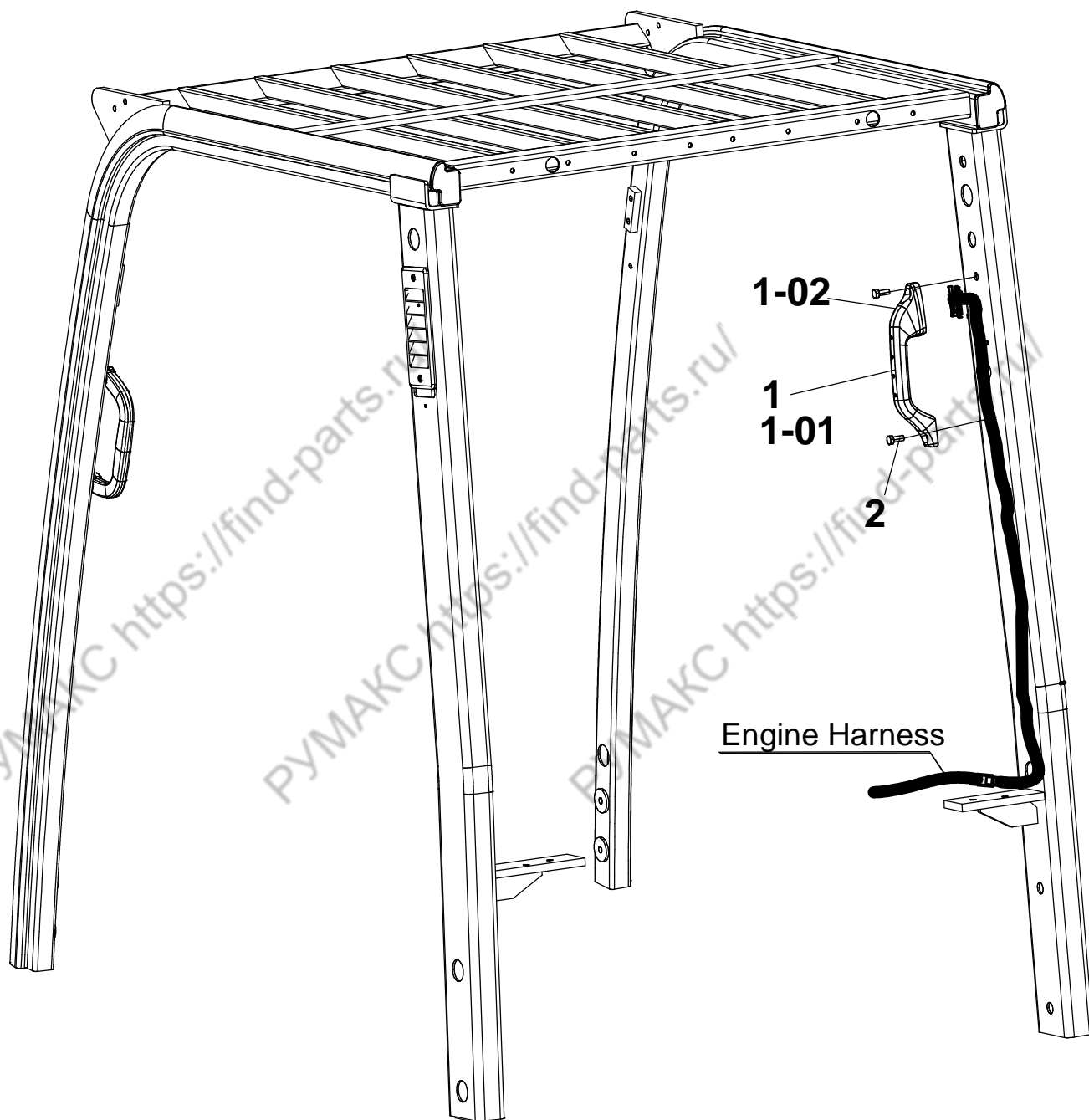
D15/18S5 D20SC-5

FIG.7-160-0

A402749 Radiator Screen

NOTE	ITEM NO.	PART NUMBER	QTY	DESCRIPTION	CHANGE CODE	START SERIAL NO.					
						EM0UT	EM0UU	FDA01	FDA02	FDA03	-
	1	A403604	1	Screen-Radiator							
	2	A403664	2	Clip							

<https://find-parts.ru/>
<https://find-parts.ru/>
<https://find-parts.ru/>

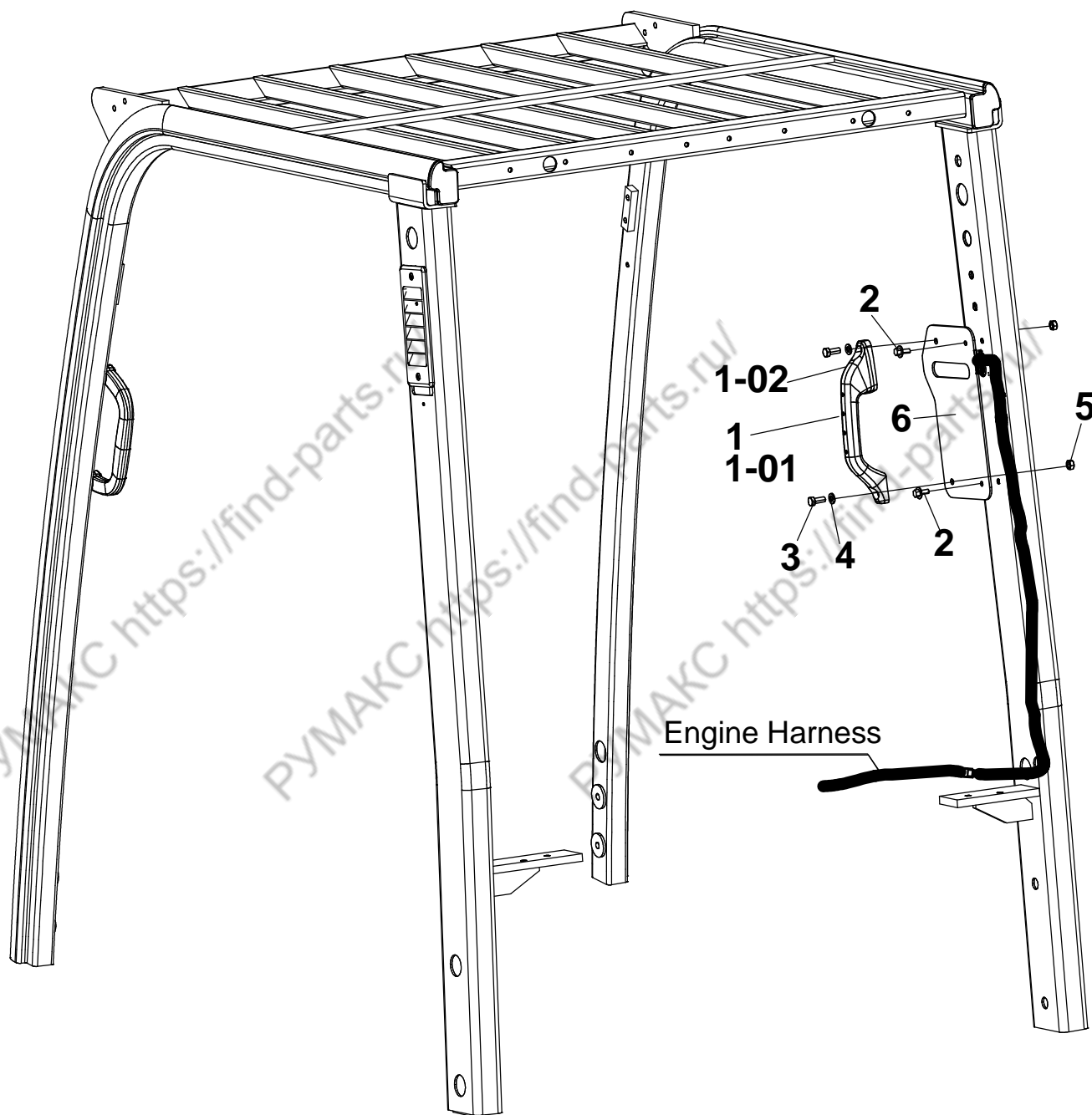


D15/18S5 D20SC-5

FIG.7-170-0

A402700 Rear Grip Bar - STD

NOTE	ITEM NO.	PART NUMBER	QTY	DESCRIPTION	CHANGE CODE	START SERIAL NO.					
						EM0UT	EM0UU	FDA01	FDA02	FDA03	-
	1	A504077	1	Grip Ass. y-Horn Switch							
Z	1-01		1	Grip							
Z	1-02		1	Switch-Push Button							
	2	D915032	2	Screw							

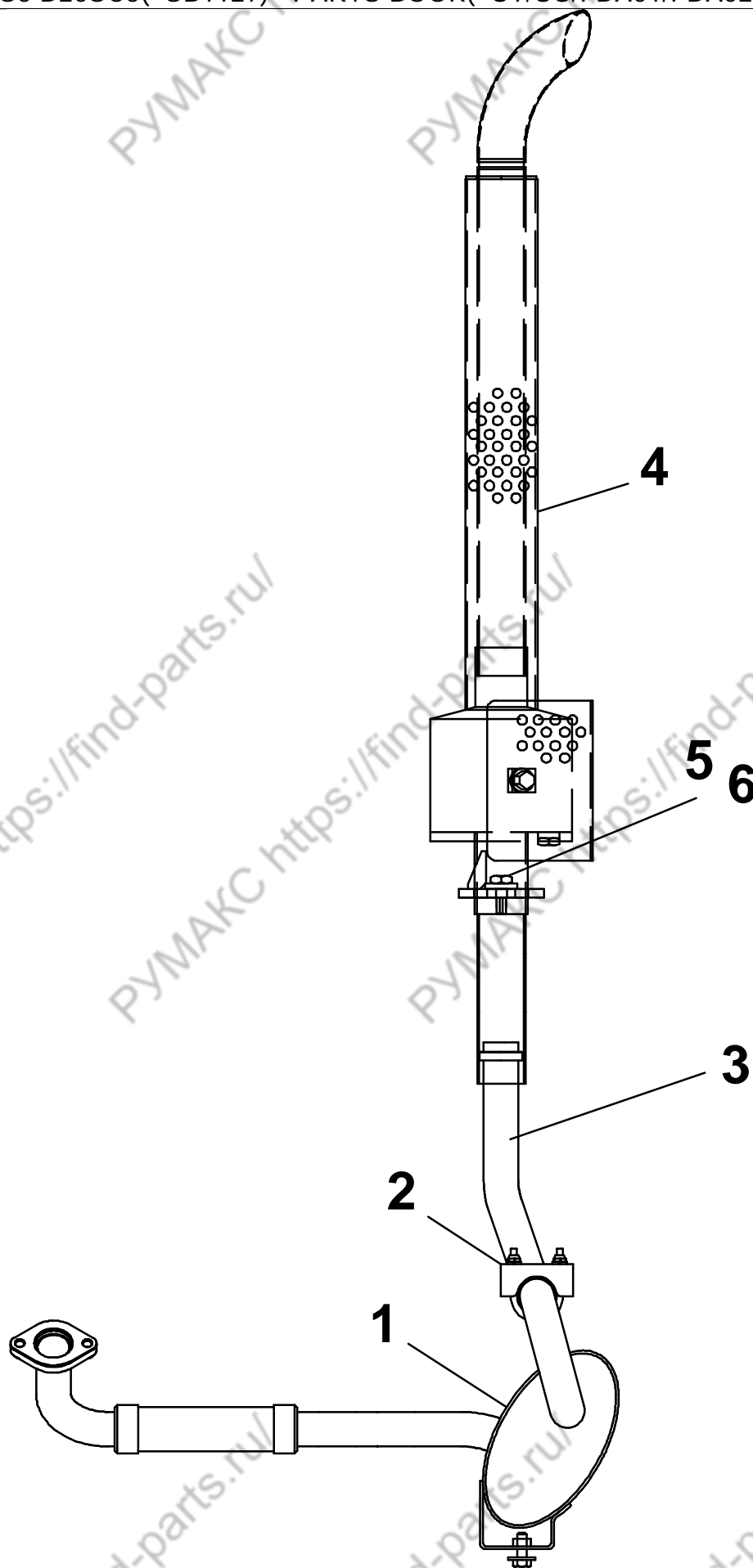


D15/18S5 D20SC-5

FIG.7-180-0

A402901 Rear Grip Bar - With Cabin

NOTE	ITEM NO.	PART NUMBER	QTY	DESCRIPTION	CHANGE CODE	START SERIAL NO.					
						EM0UT	EM0UU	FDA01	FDA02	FDA03	-
	1	A504077	1	Grip Ass. ʎy-Horn Switch							
Z	1-01		1	Grip							
Z	1-02		1	Switch-Push Button							
	2	D915032	2	Screw							
	3	S0508863	2	Bolt							
	4	D917092	2	Washer							
	5	S4012543	2	Nut							
	6	A402902	1	Plate							

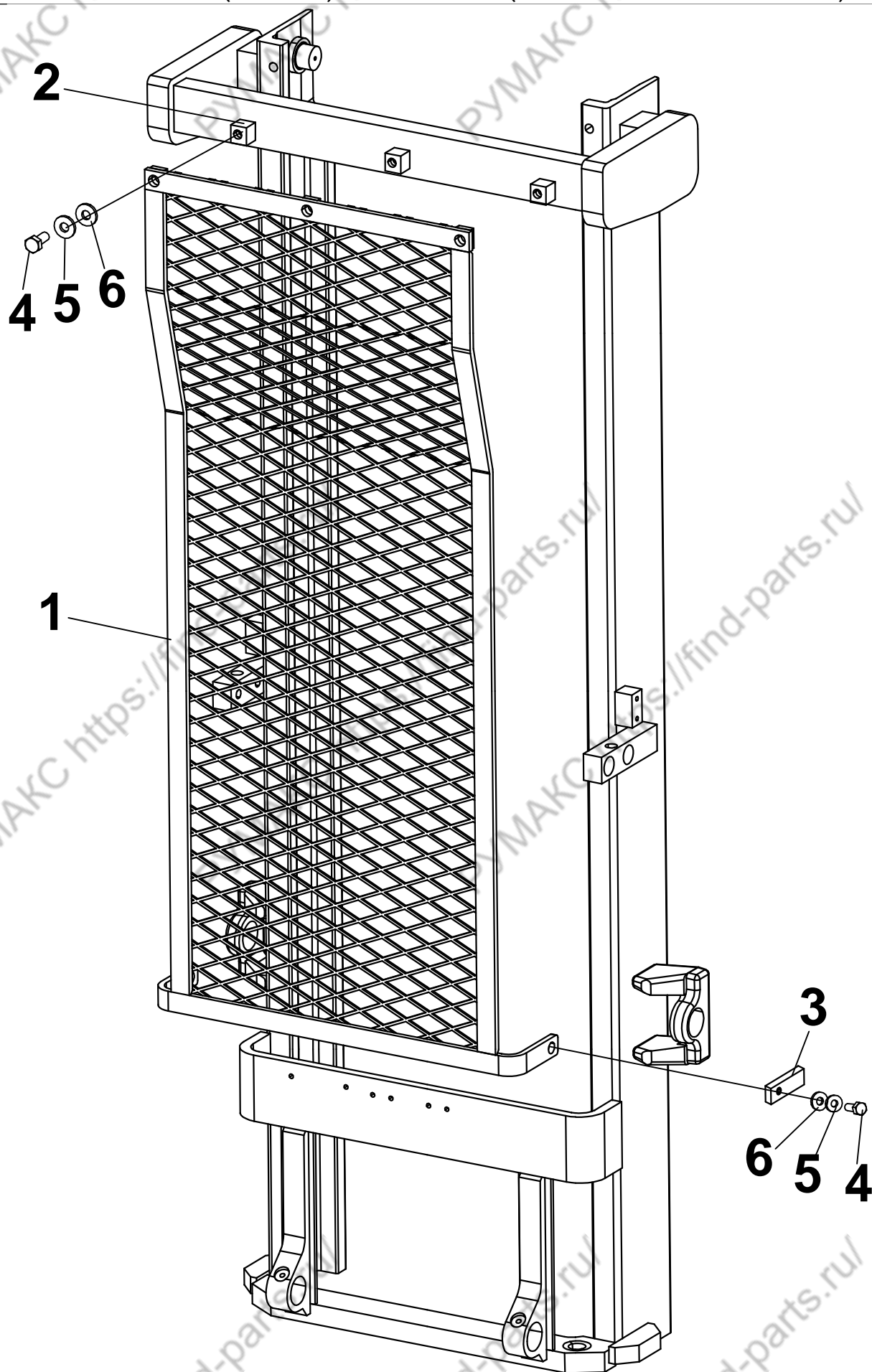


D15/18S5 D20SC-5

FIG.7-190-0

D802822 Changeover AR. - Spark Arrestor

NOTE	ITEM NO.	PART NUMBER	QTY	DESCRIPTION	CHANGE CODE	START SERIAL NO.					
						EM0UT	EM0UU	FDA01	FDA02	FDA03	-
	1	A381565	1	Muffler Ass. ʘy							
	2	A218501	1	Clamp Ass. ʘy							
	3	A381560	1	Tube Ass. ʘy							
	4	D812792	1	Tube Ass. ʘy-Spark Arrestor							
	5	S0512063	2	Bolt							
	6	D917109	2	Washer							



D15/18S5 D20SC-5

FIG.7-200-0

110921-00041 Screen Gp - STD 3300mm Only

NOTE	ITEM NO.	PART NUMBER	QTY	DESCRIPTION	CHANGE CODE	START SERIAL NO.					
						EM0UT	EM0UU	FDA01	FDA02	FDA03	-
	1	110921-00042	1	Guard Ass. ʹy							
	2	D873201	3	Block							
	3	250204-00049	2	Plate							
	4	S0512363	5	Bolt							
	5	D917093	5	Washer							
	6	D917041	5	Washer							

D15/18S5 D20SC-5

FIG.7-210-0

620101-00544 Changeover AR. - Finger Tip - 3 Way

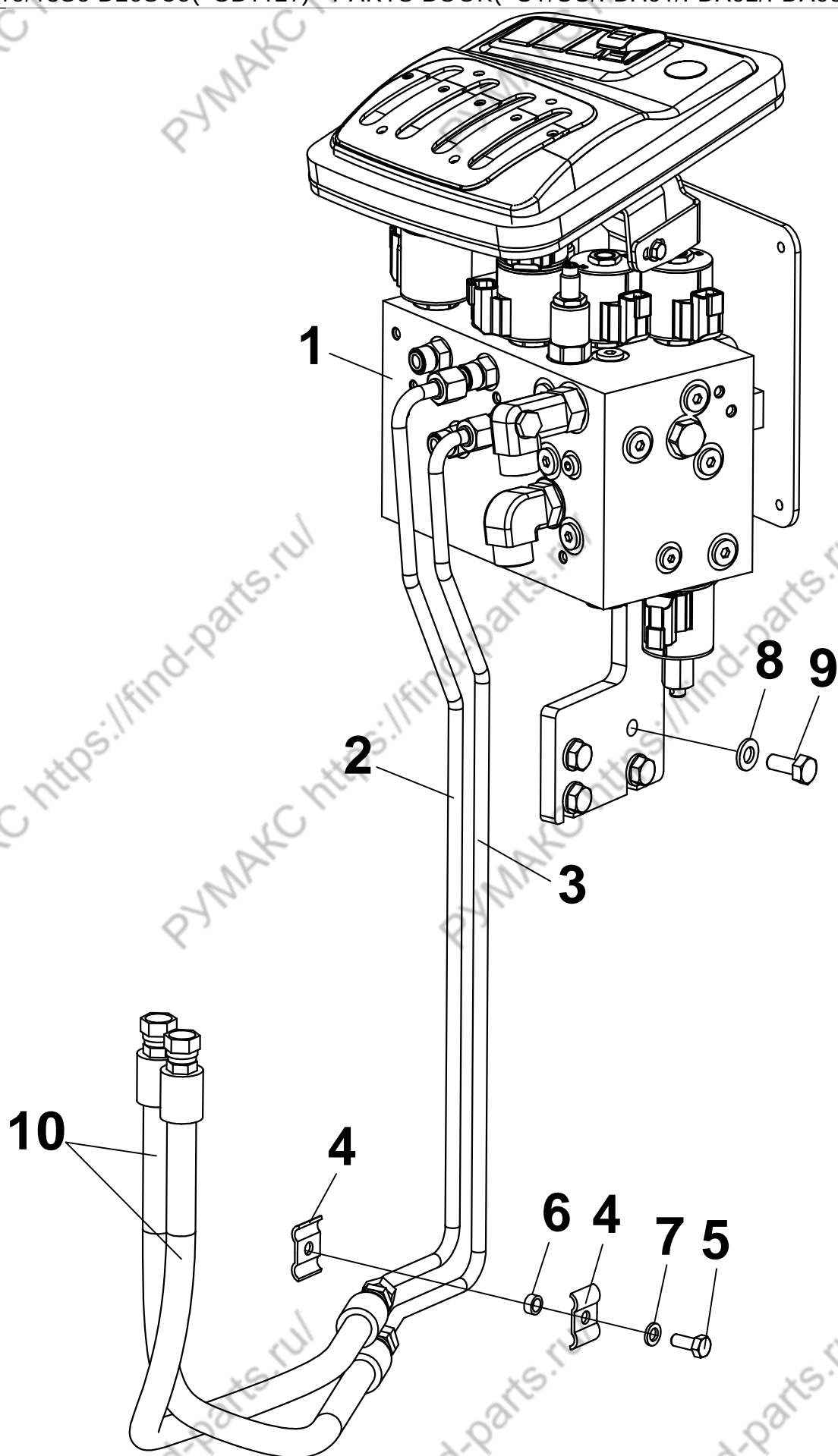
NOTE	ITEM NO.	PART NUMBER	QTY	DESCRIPTION	CHANGE CODE	START SERIAL NO.					
						EMOUT	EMOUU	FDA01	FDA02	FDA03	-
Y		410149-00013	1	Valve-Finger Tip							
Y		600109-00011	1	Mount Gp-Armrest, 3 Way							
Y		600109-00010	1	Mounting Gp-Auto Tilt Leveling							
Y		310302-00011	1	Wiring Group-Finger Tip							

D15/18S5 D20SC-5

FIG.7-210-0

620101-00545 Changeover AR. - Finger Tip - 4 Way

NOTE	ITEM NO.	PART NUMBER	QTY	DESCRIPTION	CHANGE CODE	START SERIAL NO.					
						EMOUT	EMOUU	FDA01	FDA02	FDA03	-
Y		410149-00014	1	Valve-Finger Tip							
Y		600109-00012	1	Mount Gp-Armrest, 4 Way							
Y		600109-00010	1	Mounting Gp-Auto Tilt Leveling							
Y		310302-00011	1	Wiring Group-Finger Tip							

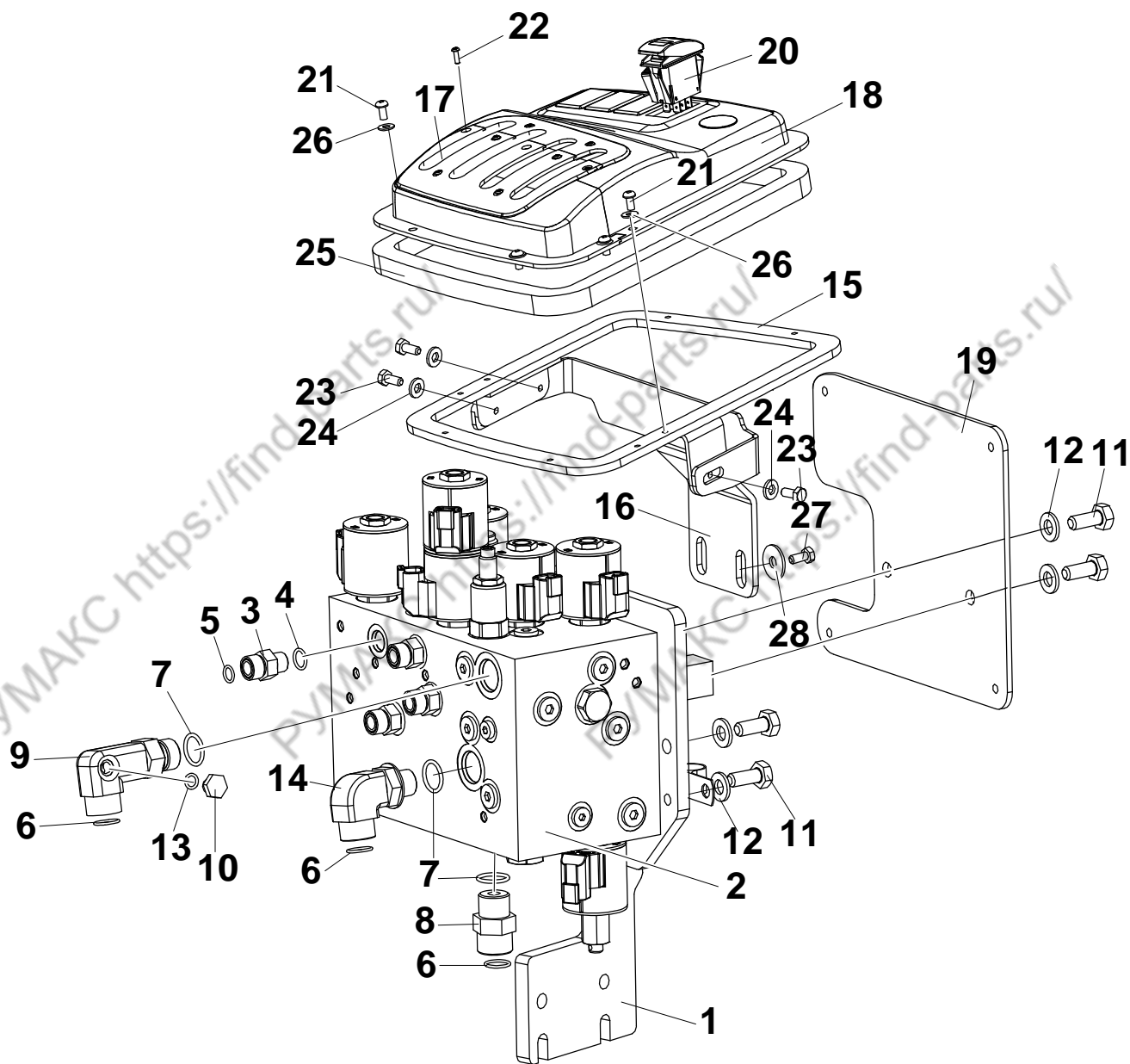


D15/18S5 D20SC-5

FIG.7-210-1

410149-00013 Valve - Finger Tip - 3 Way

NOTE	ITEM NO.	PART NUMBER	QTY	DESCRIPTION	CHANGE CODE	START SERIAL NO.				
						EM0UT	EM0UU	FDA01	FDA02	FDA03
Y	1	410149-00015	1	Valve Finger Tip Module						
	2	420406-00145	1	Tube Ass. ½y-Up						
	3	420406-00146	1	Tube Ass. ½y-Down						
	4	D900028	2	Clamp						
	5	S0508863	1	Bolt						
	6	D700208	1	Spacer						
	7	D917092	1	Washer						
	8	D917093	4	Washer						
	9	S0512063	4	Bolt						
	10	A215219	2	Hose Ass. ½y						

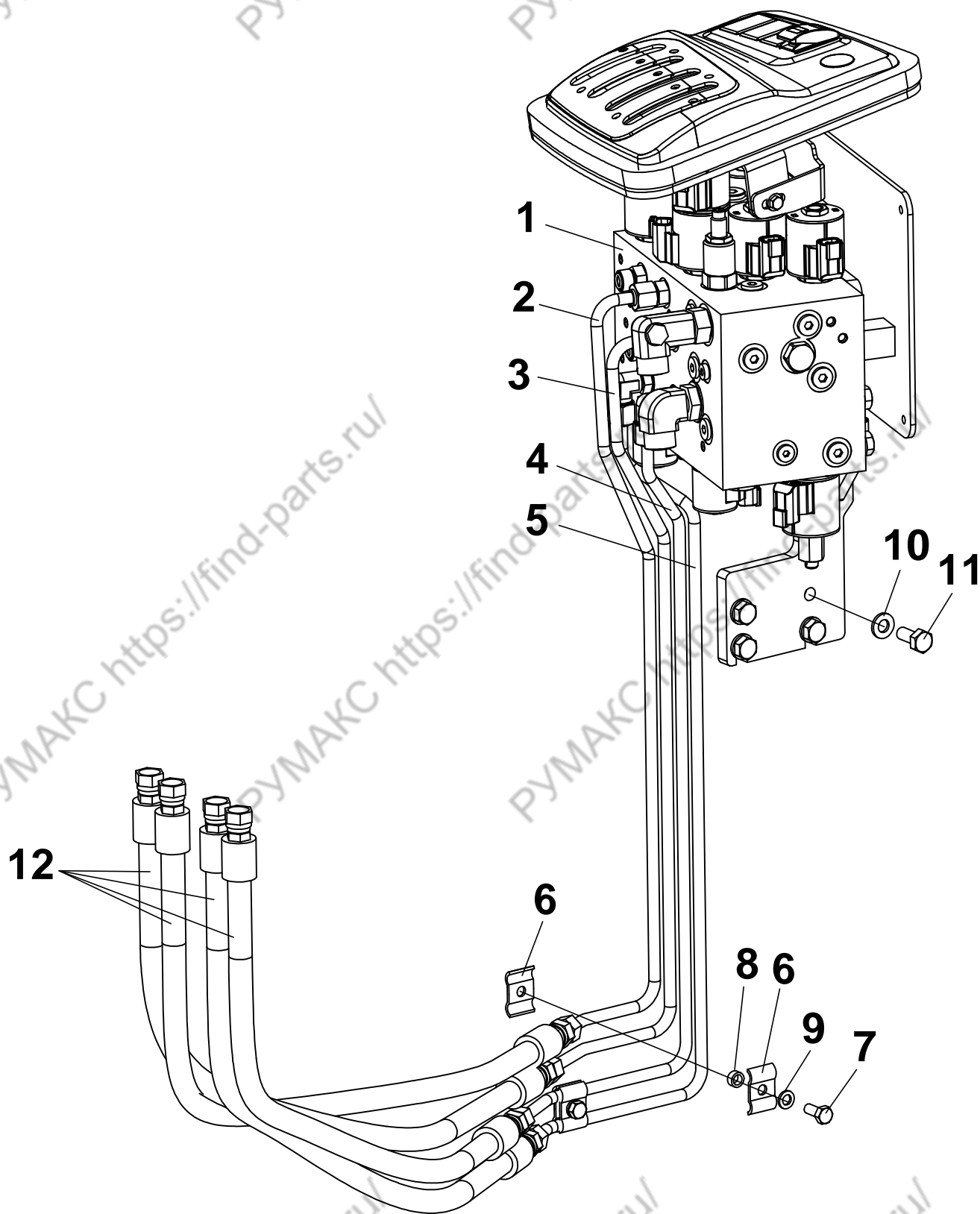


D15/18S5 D20SC-5

FIG.7-210-1-1

410149-00015 Valve Finger Tip Module - 3 Way

NOTE	ITEM NO.	PART NUMBER	QTY	DESCRIPTION	CHANGE CODE	START SERIAL NO.				
						EM0UT	EM0UU	FDA01	FDA02	FDA03
Y	1	A382082	1	Plate Ass. ʘy						
	2	410149-00001	1	Valve Gp - 3Section						
	3	DS2232066	4	Adaptor						
	4	S8040081	4	O-Ring						
	5	S8030061	4	O-Ring						
	6	S8030101	3	O-Ring						
	7	S8040101	3	O-Ring						
	8	D905009	1	Connector						
	9	DS2471002	1	Elbow Ass. ʘy						
	10	D909133	1	Plug						
	11	S0512063	5	Bolt						
	12	D917093	5	Washer						
	13	S8000081	1	O-Ring						
	14	D902027	1	Elbow						
	15	A381466	1	Plate Ass. ʘy						
	16	A382095	1	Bracket Ass. ʘy						
	17	A402411	4	Film-C/V						
	18	A401973	1	Cover Ass. ʘy						
	19	250204-00484	1	Plate						
	20	A404110	1	Lamps Switch Ass. ʘy						
	21	S3450823	8	Screw						
	22	S3450343	9	Screw						
	23	S0504363	3	Bolt						
	24	D917094	3	Washer						
	25	A402748	1	Foam-Hood & V/V Cover						
	26	S5000213	8	Washer						
	27	S0504563	2	Bolt						
	28	D917095	2	Washer						

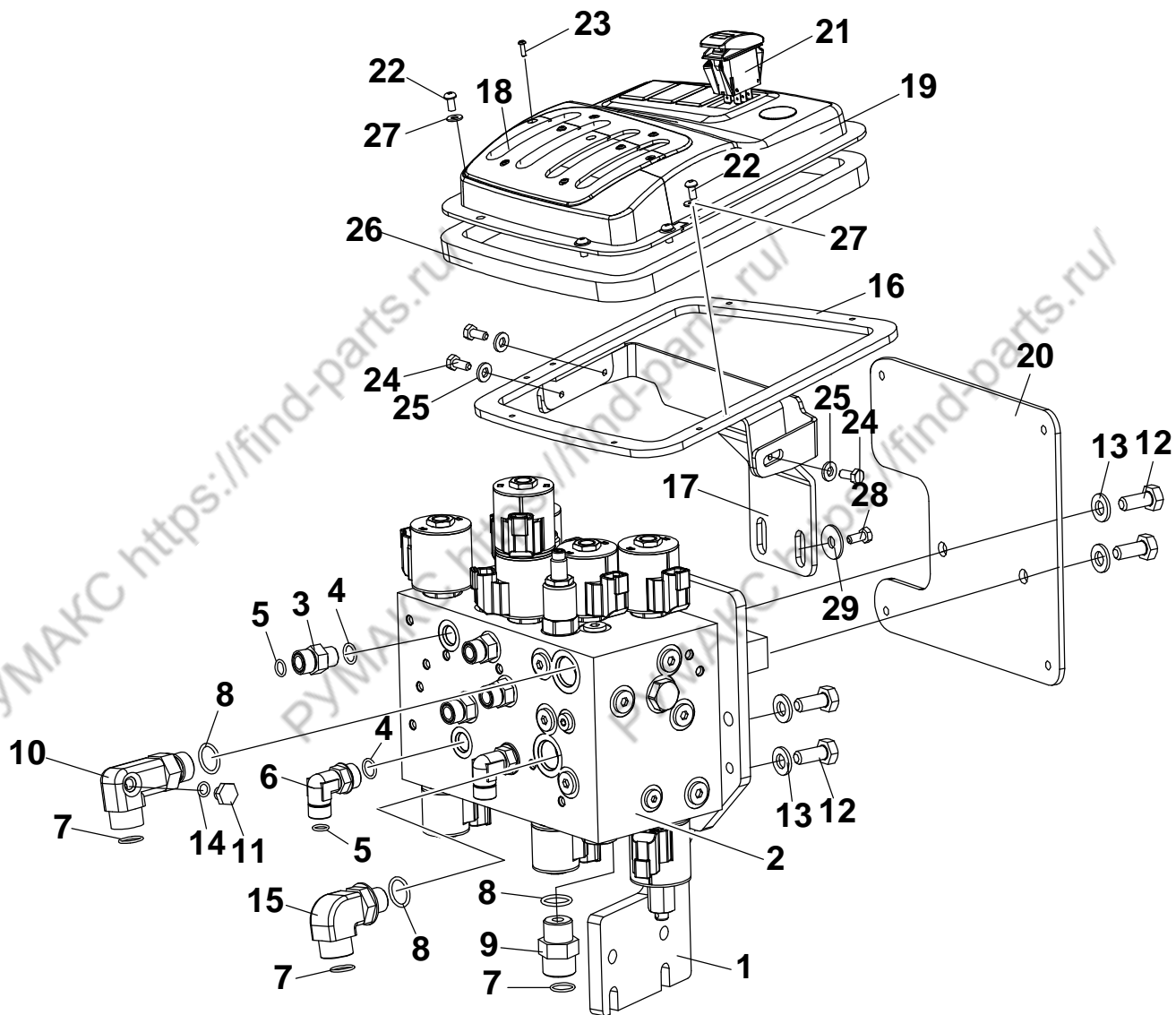


D15/18S5 D20SC-5

FIG.7-210-2

410149-00014 Valve - Finger Tip - 4 Way

NOTE	ITEM NO.	PART NUMBER	QTY	DESCRIPTION	CHANGE CODE	START SERIAL NO.					
						EM0UT	EM0UU	FDA01	FDA02	FDA03	-
Y	1	410149-00016	1	Valve Finger Tip Module							
	2	420406-00145	1	Tube Ass. ½y-Up							
	3	420406-00146	1	Tube Ass. ½y-Down							
	4	A382089	1	Hose Ass. ½y							
	5	A382090	1	Hose Ass. ½y							
	6	D900028	4	Clamp							
	7	S0508863	2	Bolt							
	8	D700208	2	Spacer							
	9	D917092	2	Washer							
	10	D917093	4	Washer							
	11	S0512063	4	Bolt							
	12	A215219	4	Hose Ass. ½y							

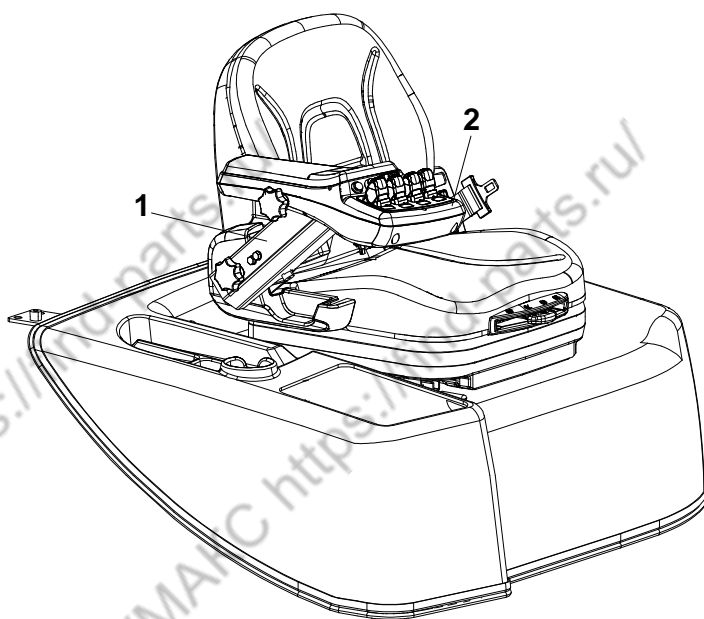
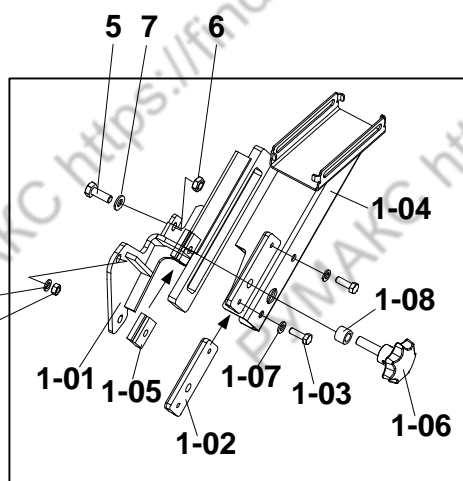


D15/18S5 D20SC-5

FIG.7-210-2-1

410149-00016 Valve Finger Tip Module - 4 Way

NOTE	ITEM NO.	PART NUMBER	QTY	DESCRIPTION	CHANGE CODE	START SERIAL NO.				
						EM0UT	EM0UU	FDA01	FDA02	FDA03
Y	1	A382082	1	Plate Ass. ʘy						
	2	410149-00002	1	Valve Gp-3Section						
	3	DS2232066	4	Adaptor						
	4	S8040081	6	O-Ring						
	5	S8030061	6	O-Ring						
	6	D902226	2	Elbow Ass. ʘy						
	7	S8030101	3	O-Ring						
	8	S8040101	3	O-Ring						
	9	D905009	1	Connector						
	10	DS2471002	1	Elbow Ass. ʘy						
	11	D909133	1	Plug						
	12	S0512063	5	Bolt						
	13	D917093	5	Washer						
	14	S8000081	1	O-Ring						
	15	D902027	1	Elbow						
	16	A381466	1	Plate Ass. ʘy						
	17	A382095	1	Bracket Ass. ʘy						
	18	A402411	4	Film-C/V						
	19	A401973	1	Cover Ass. ʘy						
	20	250204-00484	1	Plate						
	21	A404110	1	Lamps Switch Ass. ʘy						
	22	S3450823	8	Screw						
	23	S3450343	9	Screw						
	24	S0504363	3	Bolt						
	25	D917094	3	Washer						
	26	A402748	1	Foam-Hood & V/V Cover						
	27	S5000213	8	Washer						
	28	S0504563	2	Bolt						
	29	D917095	2	Washer						

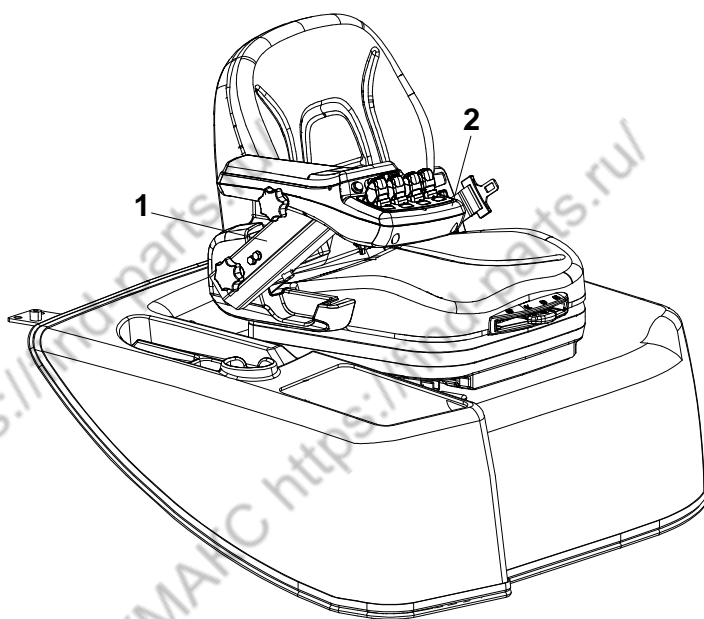
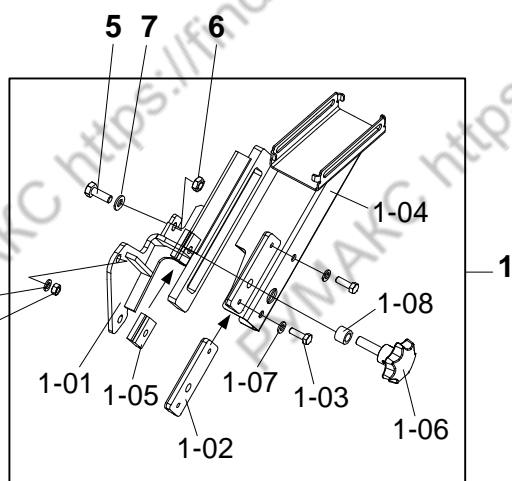


D15/18S5 D20SC-5

FIG.7-210-3

600109-00011 Mount Gp - Arm Rest - 3 Way

NOTE	ITEM NO.	PART NUMBER	QTY	DESCRIPTION	CHANGE CODE	START SERIAL NO.					
						EM0UT	EM0UU	FDA01	FDA02	FDA03	-
	1	110953-00008	1	Stand Ass. ʎy-Finger Tip							
	1-01	110431-00015	1	Bracket Ass. ʎy							
	1-02	250102-00025	1	Plate							
	1-03	S0509063	2	Bolt							
	1-04	110431-00017	1	Bracket Ass. ʎy							
	1-05	A159133	1	Spacer							
	1-06	A159132	1	Knob Ass. ʎy							
	1-07	D917092	2	Washer							
	1-08	A159217	1	Boss							
Y	2	220106-00004	1	Arm Rest Ass. ʎy-3 Way							
	3	S4012533	1	Nut							
	4	D917092	1	Washer							
	5	S0512163	1	Bolt							
	6	S4012633	1	Nut							
	7	D917093	1	Washer							



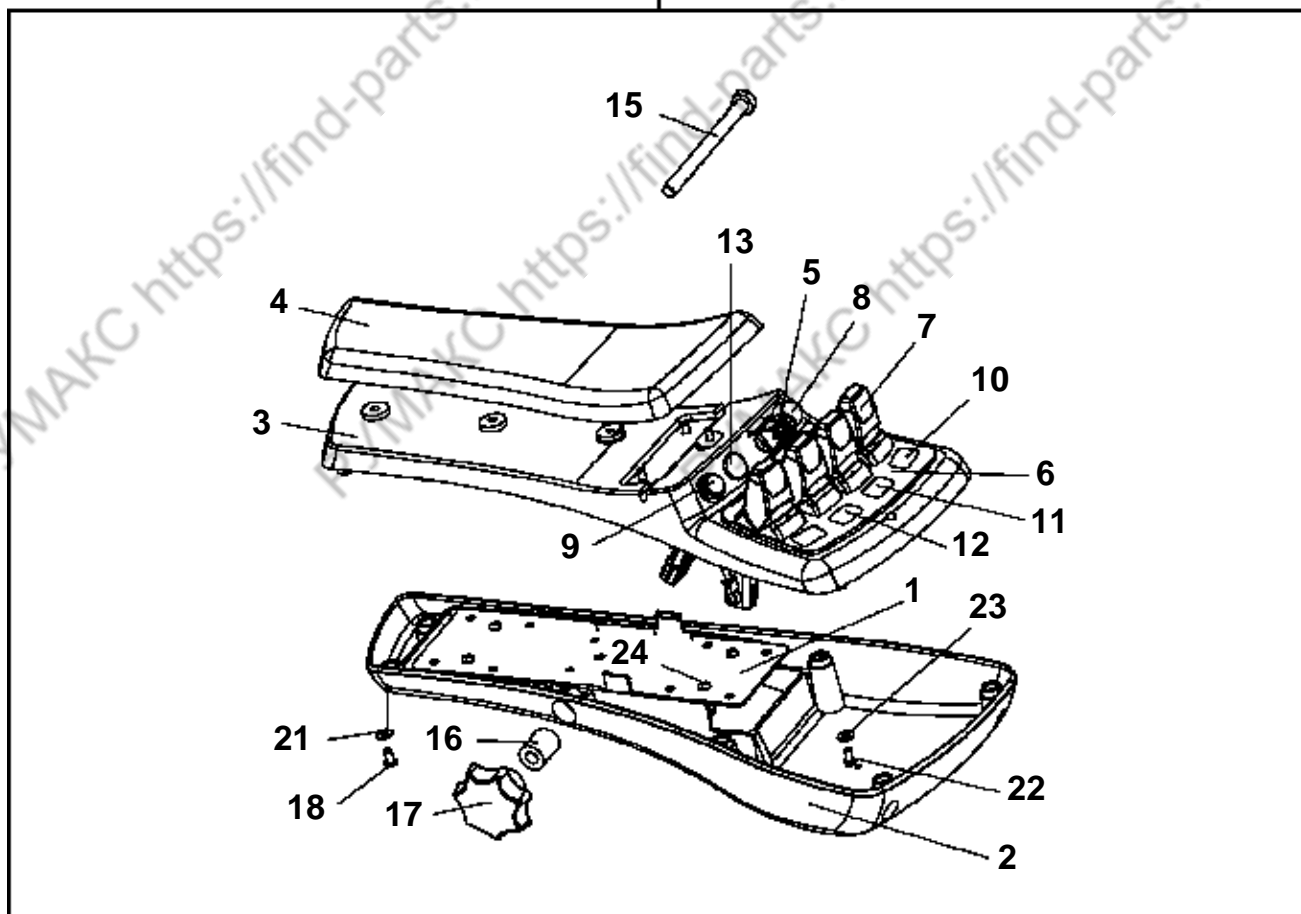
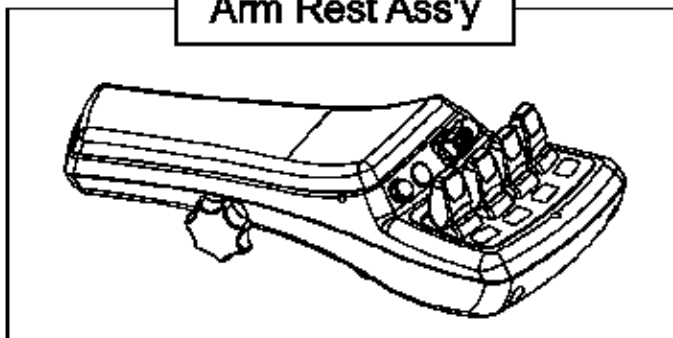
D15/18S5 D20SC-5

FIG.7-210-3

600109-00012 Mount Gp - Arm Rest - 4 Way

NOTE	ITEM NO.	PART NUMBER	QTY	DESCRIPTION	CHANGE CODE	START SERIAL NO.					
						EM0UT	EM0UU	FDA01	FDA02	FDA03	-
	1	110953-00008	1	Stand Ass. ʘy-Finger Tip							
	1-01	110431-00015	1	Bracket Ass. ʘy							
	1-02	250102-00025	1	Plate							
	1-03	S0509063	2	Bolt							
	1-04	110431-00017	1	Bracket Ass. ʘy							
	1-05	A159133	1	Spacer							
	1-06	A159132	1	Knob Ass. ʘy							
	1-07	D917092	2	Washer							
	1-08	A159217	1	Boss							
Y	2	220106-00005	1	Arm Rest Ass. ʘy-4 Way							
	3	S4012533	1	Nut							
	4	D917092	1	Washer							
	5	S0512163	1	Bolt							
	6	S4012633	1	Nut							
	7	D917093	1	Washer							

Arm Rest Ass'y



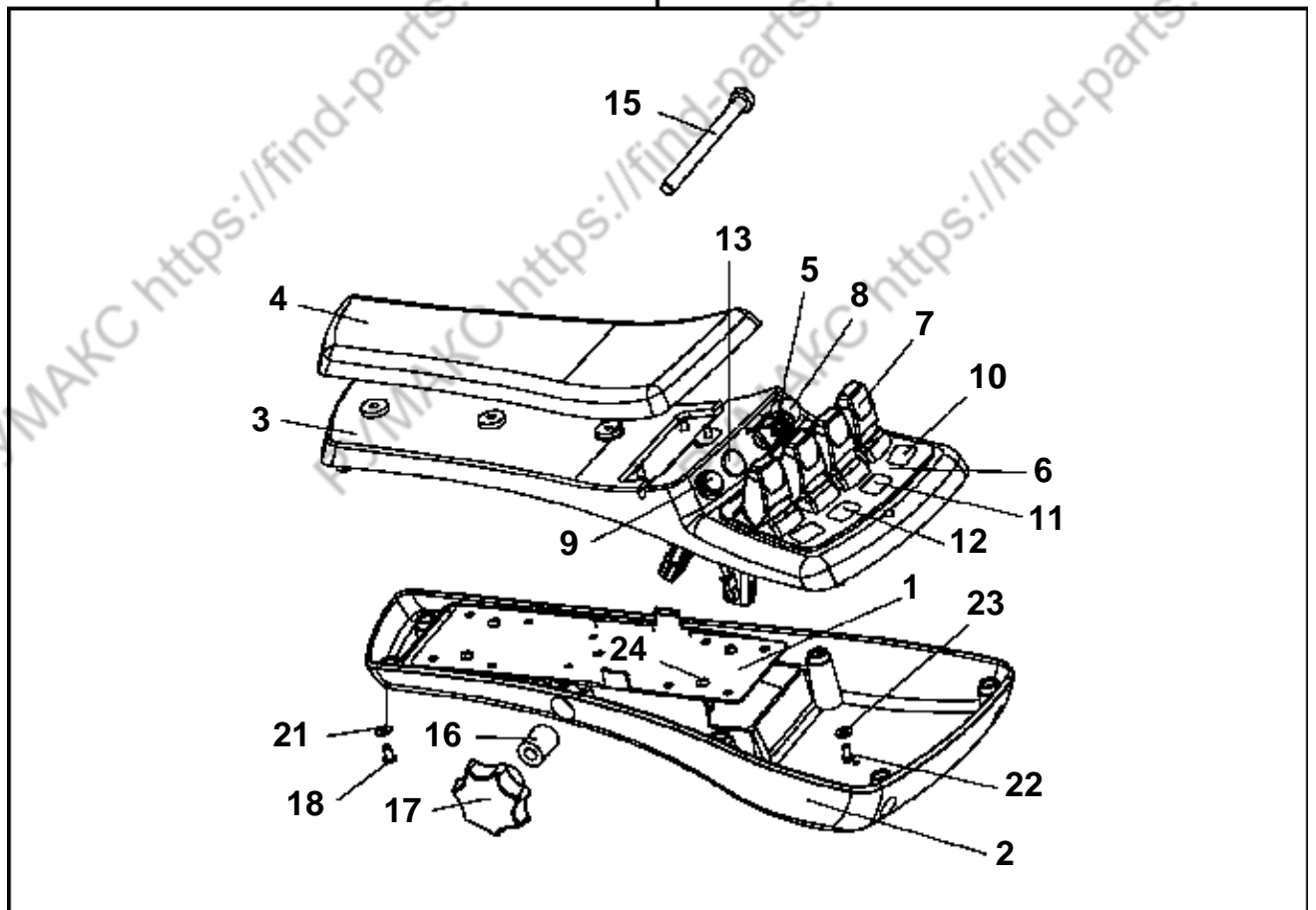
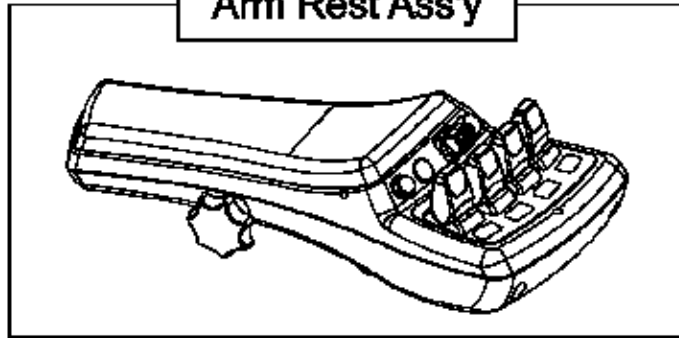
D15/18S5 D20SC-5

FIG.7-210-3-1

220106-00004 Arm Rest Ass. ʘy - 3 Way

NOTE	ITEM NO.	PART NUMBER	QTY	DESCRIPTION	CHANGE CODE	START SERIAL NO.					
						EM0UT	EM0UU	FDA01	FDA02	FDA03	-
	1	A155495	1	Bracket Ass. ʘy-Lower							
	2	A158904	1	Cover-Lower							
	3	A158905	1	Cover-Upper							
	4	A158906	1	Pad							
	5	A404206	1	Switch Ass. ʘy-F/R							
	6	A159195	1	Panel-Switch							
	7	A244430	3	Knob Ass. ʘy 3-Way							
	8	301418-00002	1	Switch Ass. ʘy-Selector							
	9	A244681	1	Lamp Ass. ʘy-Pilot							
	10	A158909	1	Film-Lift							
	11	A158910	1	Film-Tilt							
	12	A158912	1	Film-Side Shifter							
	13	301418-00001	1	Switch Ass. ʘy-Selector							
	15	A155498	1	Bolt							
	16	A155496	1	Boss							
	17	A155497	1	Knob							
	18	S3450823	22	Screw							
	19		1	Screw							
	20		1	Nut							
	21	S5000213	22	Washer							
	22	S3450563	4	Screw							
	23	S5000113	4	Washer							
	24	S3450603	6	Screw							

Arm Rest Ass'y

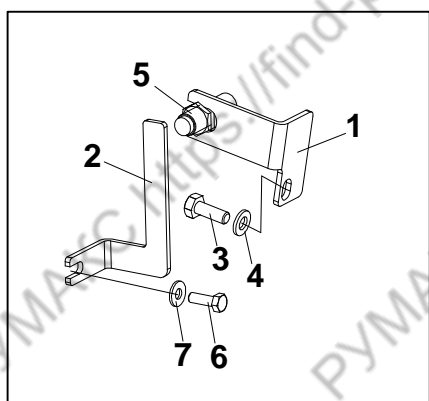


D15/18S5 D20SC-5

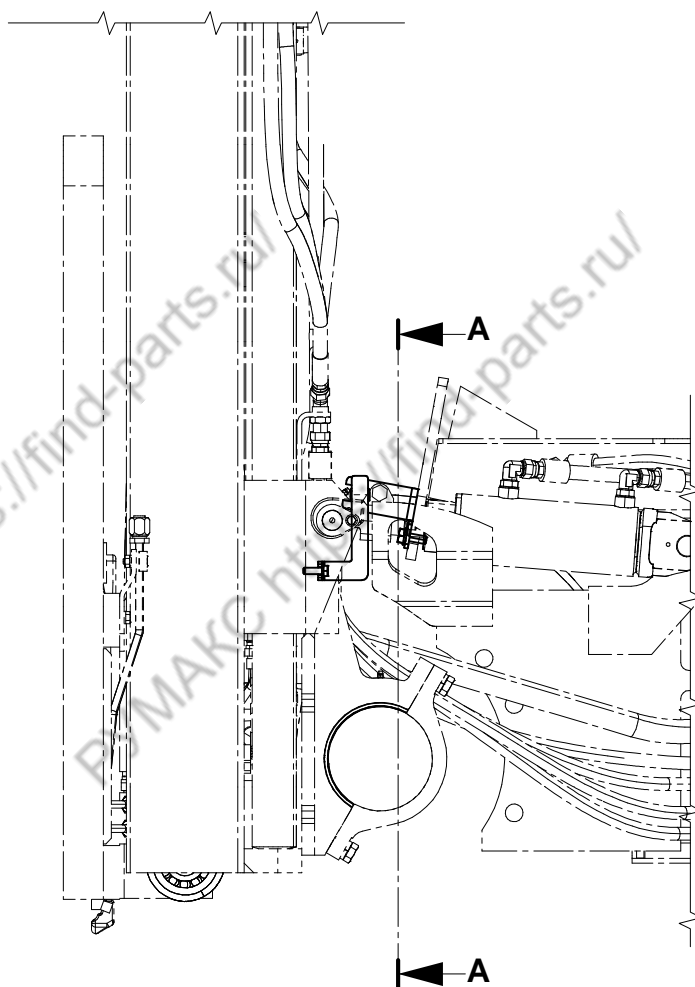
FIG.7-210-3-1

220106-00005 Arm Rest Ass. ʘy - 4 Way

NOTE	ITEM NO.	PART NUMBER	QTY	DESCRIPTION	CHANGE CODE	START SERIAL NO.					
						EM0UT	EM0UU	FDA01	FDA02	FDA03	-
	1	A155495	1	Bracket Ass. ʘy-Lower							
	2	A158904	1	Cover-Lower							
	3	A158905	1	Cover-Upper							
	4	A158906	1	Pad							
	5	A404206	1	Switch Ass. ʘy-F/R							
	6	A159195	1	Panel-Switch							
	7	A244430	4	Knob Ass. ʘy 4-Way							
	8	301418-00002	1	Switch Ass. ʘy-Selector							
	9	A244681	1	Lamp Ass. ʘy-Pilot							
	10	A158909	1	Film-Lift							
	11	A158910	1	Film-Tilt							
	12	A158912	1	Film-Side Shifter							
	13	301418-00001	1	Switch Ass. ʘy-Selector							
	15	A155498	1	Bolt							
	16	A155496	1	Boss							
	17	A155497	1	Knob							
	18	S3450823	22	Screw							
	19		1	Screw							
	20		1	Nut							
	21	S5000213	22	Washer							
	22	S3450563	4	Screw							
	23	S5000113	4	Washer							
	24	S3450603	6	Screw							



View A - A

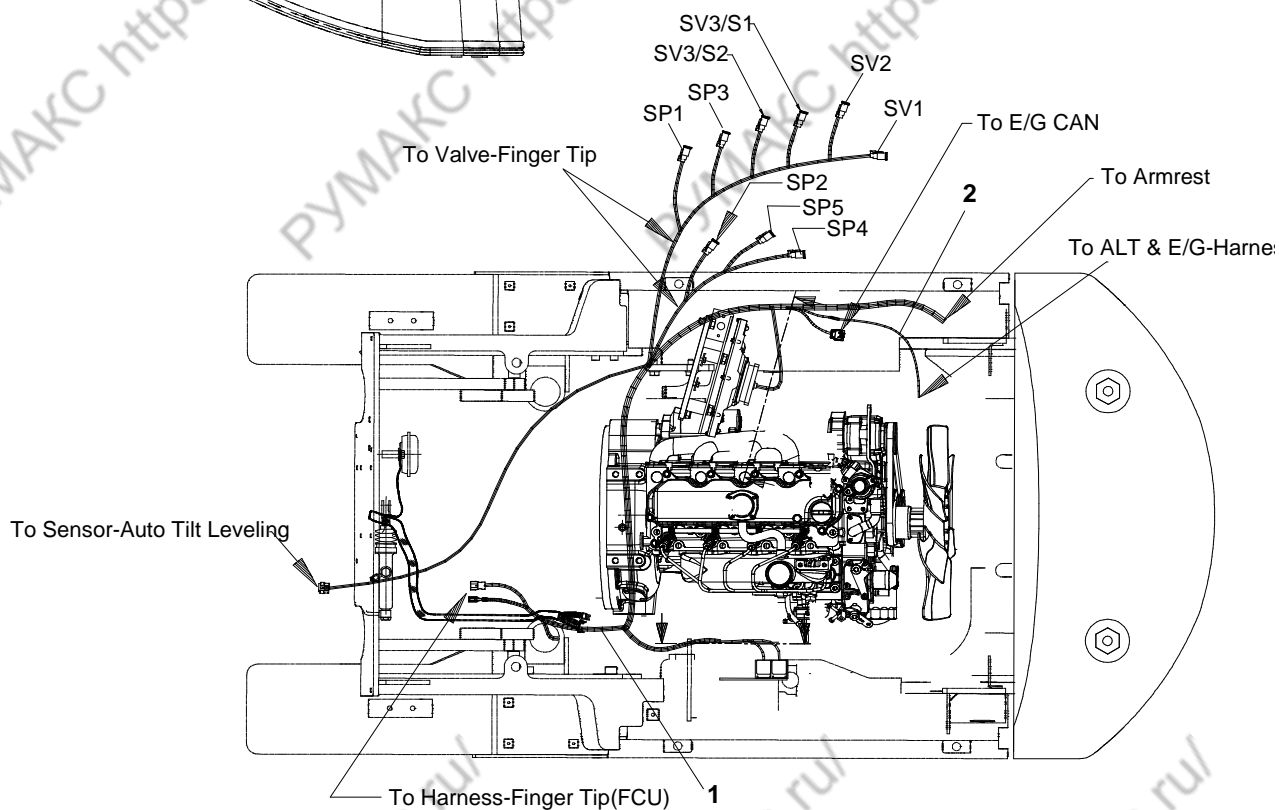
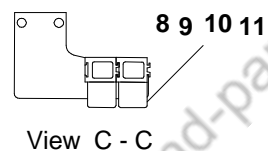
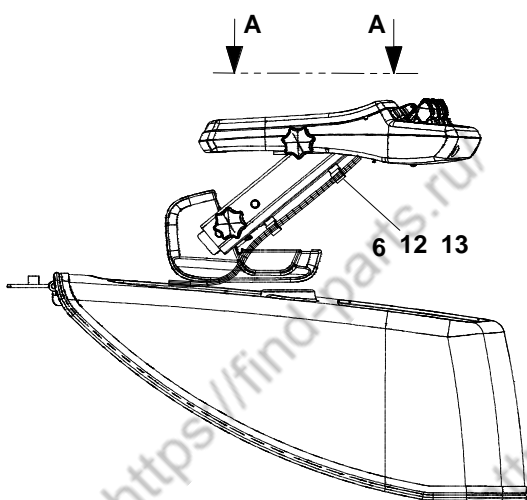
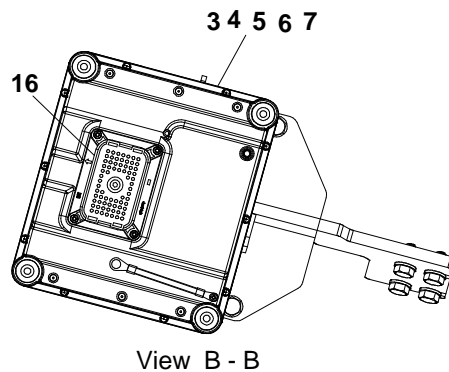
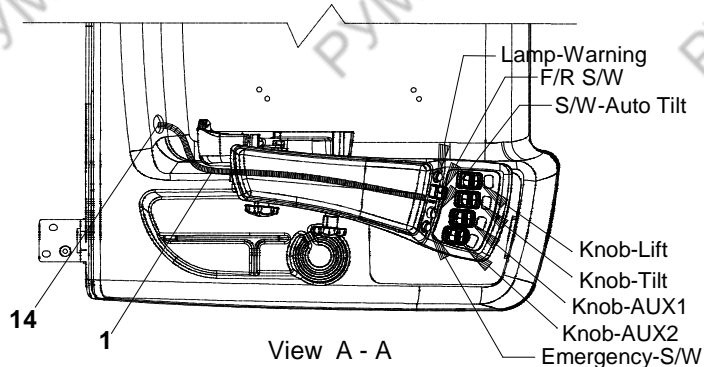


D15/18S5 D20SC-5

FIG.7-210-4

600109-00010 Mounting Gp - Auto Tilt Leveling

NOTE	ITEM NO.	PART NUMBER	QTY	DESCRIPTION	CHANGE CODE	START SERIAL NO.					
						EM0UT	EM0UU	FDA01	FDA02	FDA03	-
	1	A381711	1	Bracket							
	2	A381685	1	Bracket							
	3	S0512163	1	Bolt							
	4	D917093	1	Washer							
	5	A524103	1	Sensor Ass. 7y							
	6	S0509063	1	Bolt							
	7	D917168	1	Washer							

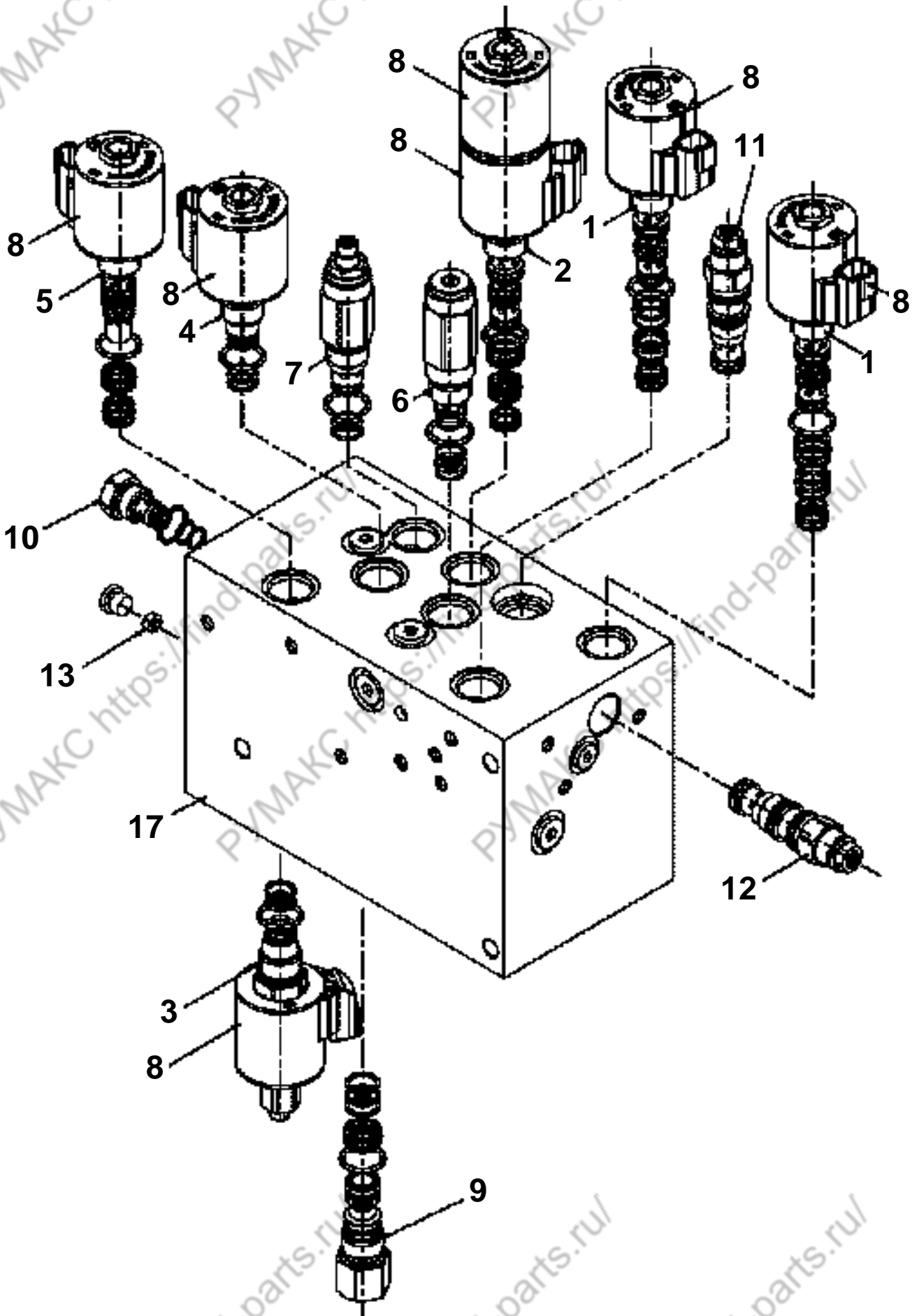


D15/18S5 D20SC-5

FIG.7-210-5

310302-00011 Wiring Group - Finger Tip

NOTE	ITEM NO.	PART NUMBER	QTY	DESCRIPTION	CHANGE CODE	START SERIAL NO.					
						EM0UT	EM0UU	FDA01	FDA02	FDA03	-
	1	310207-00272	1	Harness Ass. ʘy							
	2	310207-00474	1	Harness Ass. ʘy							
	3	300609-00010	1	Control Unit							
	4	180204-00014	1	Rubber Mounting							
	5	S0509563	4	Bolt							
	6	D917092	10	Washer							
	7	S4012533	4	Nut							
	8	250204-00489	1	Plate							
	9	A404157	2	Relay Ass. ʘy-Power							
	10	S3450813	2	Screw							
	11	S5000213	2	Washer							
	12	D560094	2	Clip							
	13	S0508363	2	Bolt							
	14	S994012H	1	Grommet							
	15	D580786	5	Strap							
	16	110931-00008	1	Housing-ECU							

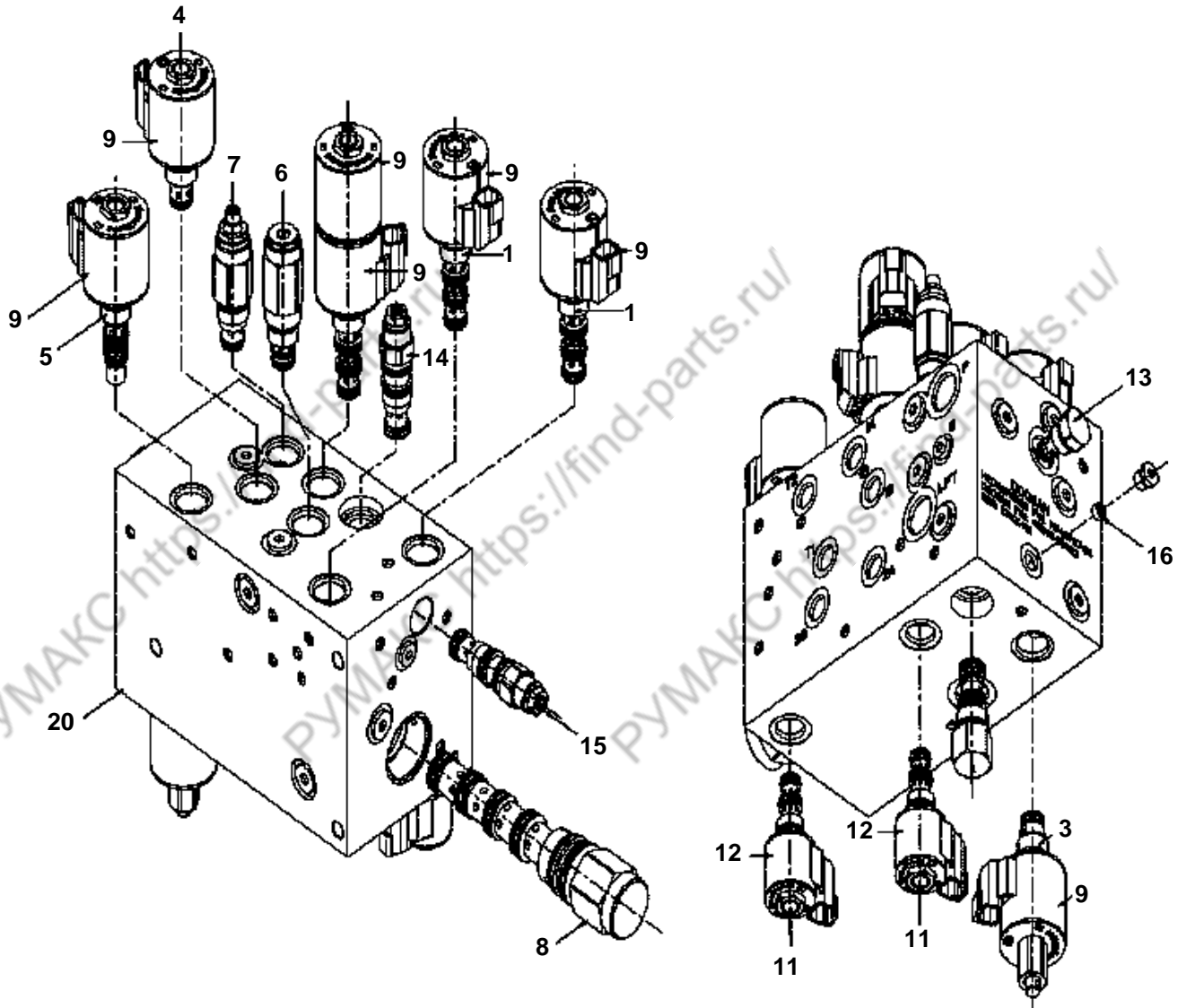


D15/18S5 D20SC-5

FIG.7-210-6

410149-00001 Valve Gp - 3 Section

NOTE	ITEM NO.	PART NUMBER	QTY	DESCRIPTION	CHANGE CODE	START SERIAL NO.					
						EM0UT	EM0UU	FDA01	FDA02	FDA03	-
	1	410135-00015	2	Valve, Solenoid							
	2	410135-00016	1	Valve, Solenoid							
	3	410135-00018	1	Valve, Solenoid							
	4	410135-00019	1	Valve, Solenoid							
	5	410135-00048	1	Valve, Solenoid							
	6	410127-00026	1	Valve, Relief							
	7	410127-00027	1	Valve, Relief							
	8	300715-00001	7	Coil, Solenoid							
	9	410135-00049	1	Valve, Solenoid							
	10	410104-00039	1	Valve, Check							
	11	410111-00012	1	Valve, Counter Balance							
	12	410111-00013	1	Valve, Counter Balance							
	13	430219-00001	1	Orifice							
Z	14		1	Valve, Plug							
Z	15		11	Valve, Plug							
Z	16		2	Valve, Plug							
Z	17		1	Block, Manifold							
	18	401106-00074	1	Seal Kit,							



D15/18S5 D20SC-5

FIG.7-210-7

410149-00002 Valve Gp - 4 Section

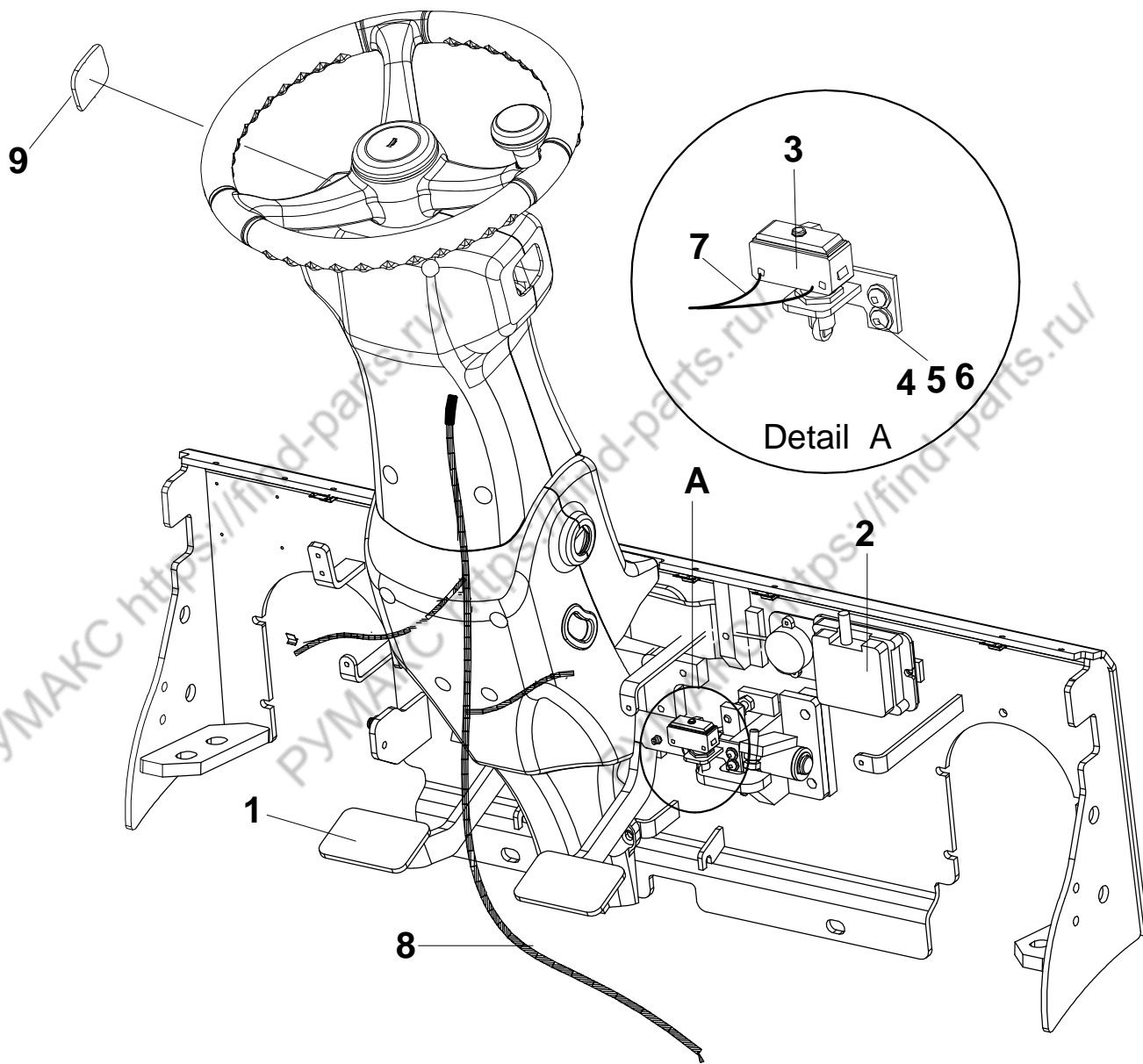
NOTE	ITEM NO.	PART NUMBER	QTY	DESCRIPTION	CHANGE CODE	START SERIAL NO.					
						EM0UT	EM0UU	FDA01	FDA02	FDA03	-
	1	410135-00015	2	Valve, Solenoid							
	2	410135-00016	1	Valve, Solenoid							
	3	410135-00018	1	Valve, Solenoid							
	4	410135-00019	1	Valve, Solenoid							
	5	410135-00048	1	Valve, Solenoid							
	6	410127-00026	1	Valve, Relief							
	7	410127-00027	1	Valve, Relief							
	8	410135-00020	1	Valve, Solenoid							
	9	300715-00001	7	Coil, Solenoid							
	10	410135-00049	1	Valve, Solenoid							
	11	410135-00022	2	Valve, Solenoid							
	12	300715-00002	2	Coil, Solenoid							
	13	410104-00039	1	Valve, Check							
	14	410111-00012	1	Valve, Counter Balance							
	15	410111-00013	1	Valve, Counter Balance							
	16	430219-00001	1	Orifice							
Z	17		1	Valve, Plug							
Z	18		12	Valve, Plug							
Z	19		2	Valve, Plug							
Z	20		1	Block, Manifold							
	21	401106-00077	1	Seal Kit							

D15/18S5 D20SC-5

FIG.7-220-0

620101-00658 Change Over AR. - Mono Ped

NOTE	ITEM NO.	PART NUMBER	QTY	DESCRIPTION	CHANGE CODE	START SERIAL NO.					
						EMOUT	EM0UU	FDA01	FDA02	FDA03	-
Y		D812470	1	Control Gp-Mono Ped For FCU							
Y		220105-00013	1	Pedal Ass. 7y-Floor							
Y		220106-00141	1	Plate Ass. 7y-Floor							

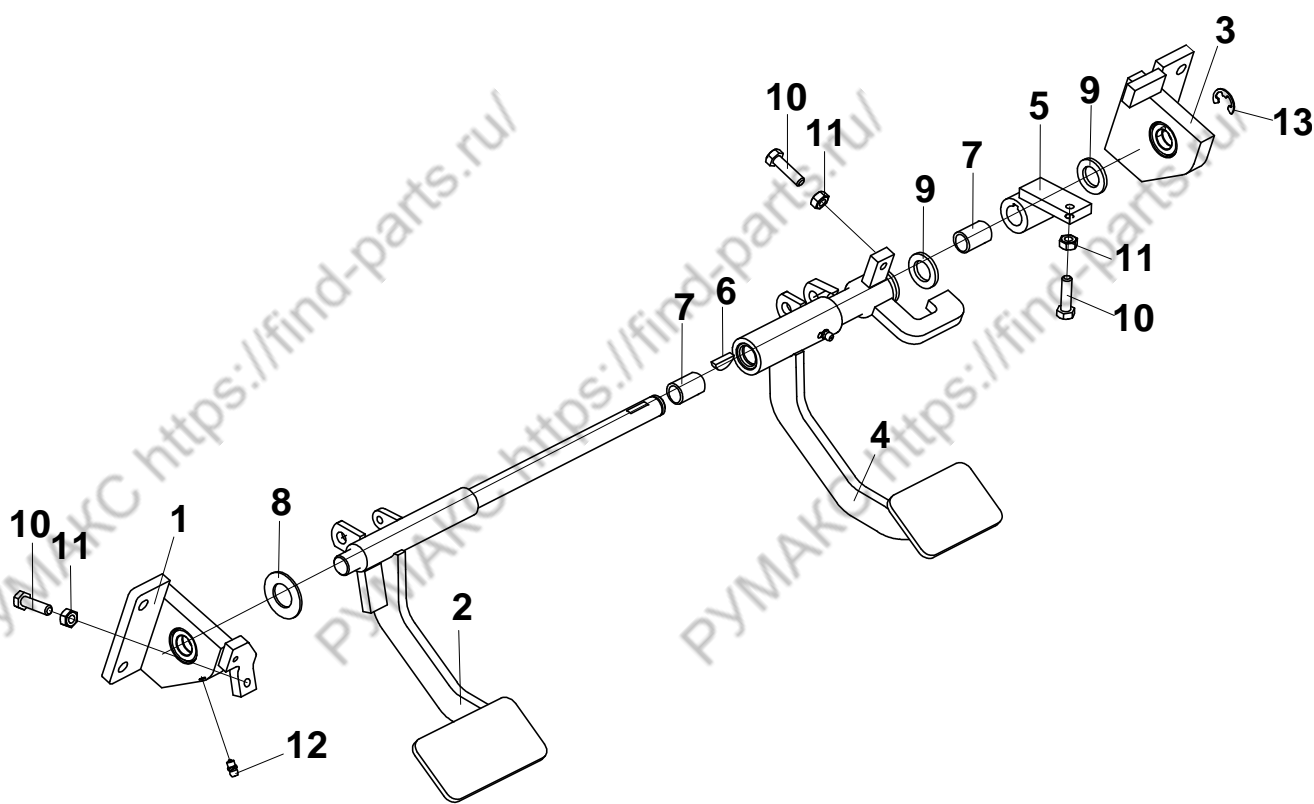


D15/18S5 D20SC-5

FIG.7-220-1

D812470 Control Gp - Mono Ped For FCU

NOTE	ITEM NO.	PART NUMBER	QTY	DESCRIPTION	CHANGE CODE	START SERIAL NO.					
						EM0UT	EM0UU	FDA01	FDA02	FDA03	-
Y	1	D812469	1	Pedal Ass. 7/8-Inch & Brake							
	2	A454050	1	Controller Ass. 7/8-OSS							
	3	A214332	1	Switch As-Micro							
	4	D812364	1	Plate Ass. 7/8							
	5	S3450823	2	Screw							
	6	S5000213	2	Washer							
	7	A214340	1	Harness Asss. 7/8-Switch							
	8	A404109	1	Harness Asss. 7/8-Monoped							
	9	A401390	1	Plug							

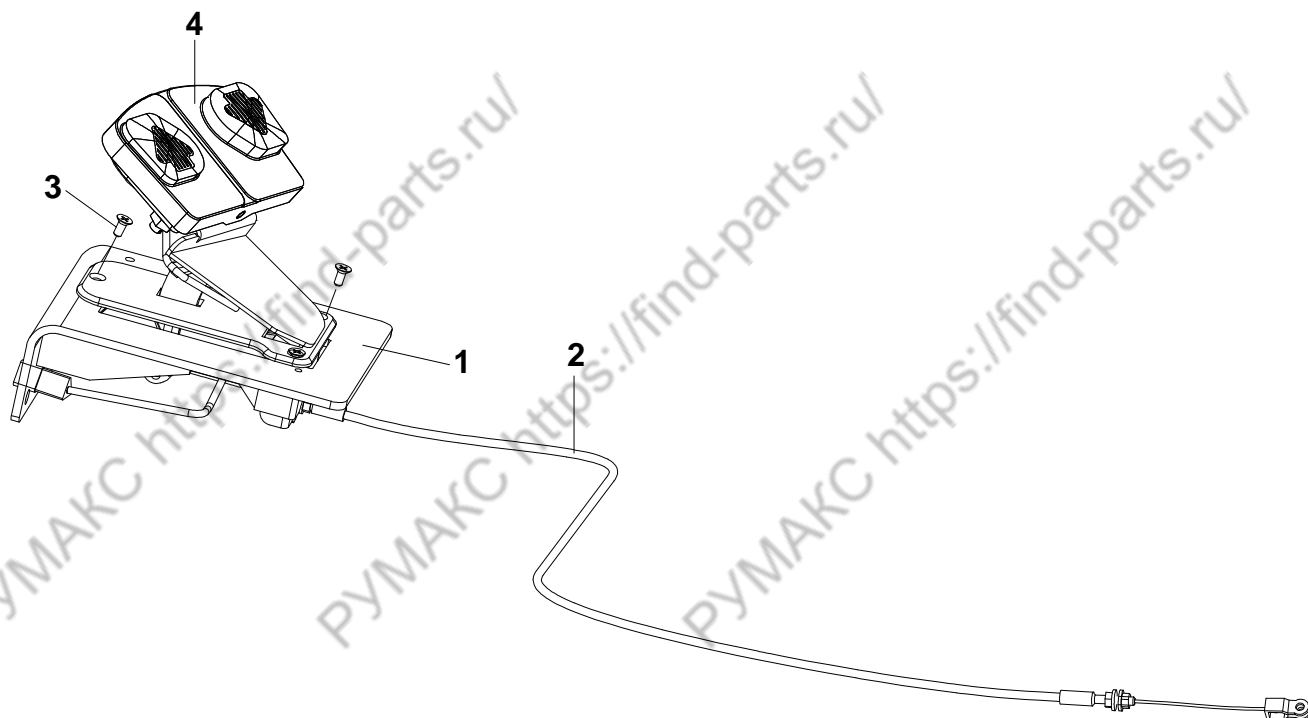


D15/18S5 D20SC-5

FIG.7-220-1-1

D812469 Pedal Ass. 7/8 - Inch & Brake

NOTE	ITEM NO.	PART NUMBER	QTY	DESCRIPTION	CHANGE CODE	START SERIAL NO.					
						EM0UT	EM0UU	FDA01	FDA02	FDA03	-
	1	A401807	1	Support Ass. 7/8-LH							
	2	A408722	1	Pedal Ass. 7/8-Inching							
	3	D812362	1	Support Ass. 7/8-RH							
	4	A408723	1	Pedal Ass. 7/8-Brake							
	5	A401798	1	Collar Ass. 7/8							
	6	D700438	1	Key-Woodruff							
	7	A401299	2	Bushing							
	8	D917025	1	Washer							
	9	S5010913	4	Washer							
	10	S0509263	3	Bolt							
	11	S4016543	3	Nut							
	12	S6710021	3	Fitting							
	13	S6541200	1	Ring-Snap							

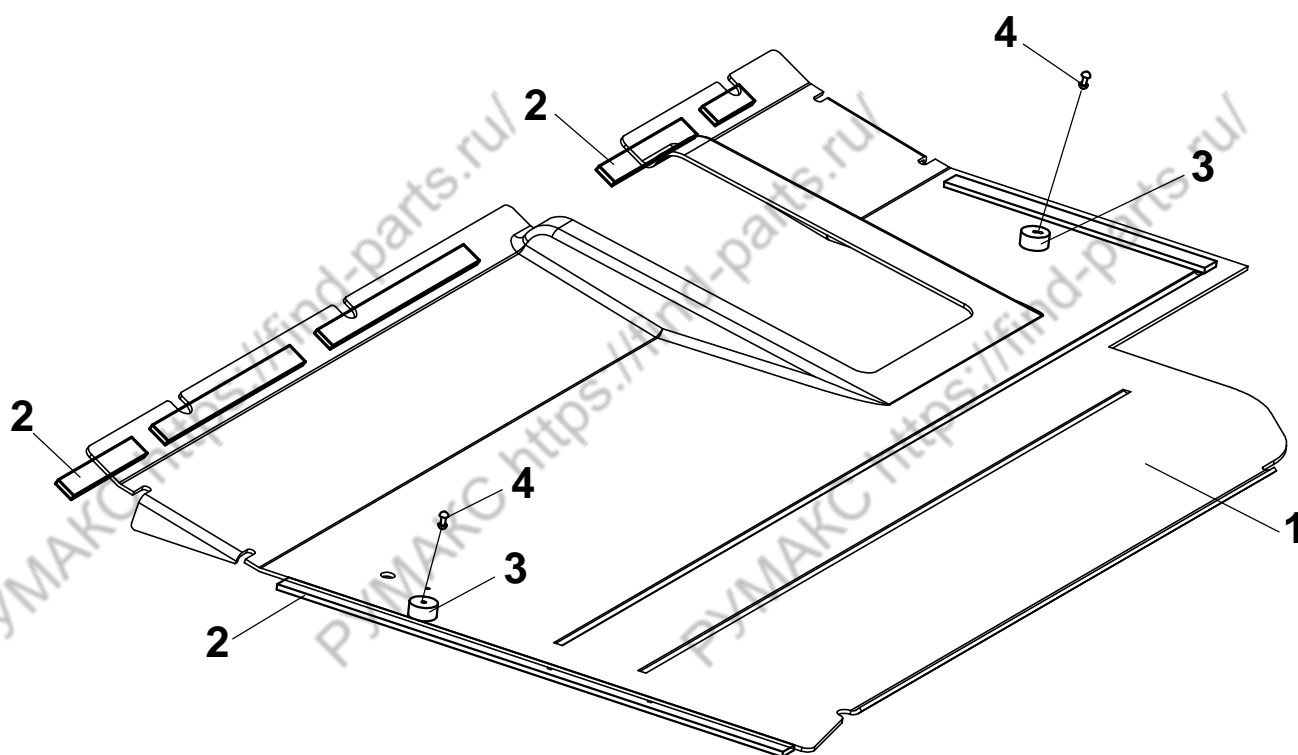


D15/18S5 D20SC-5

FIG.7-220-2

220105-00013 Pedal Ass. ʘy - Floor

NOTE	ITEM NO.	PART NUMBER	QTY	DESCRIPTION	CHANGE CODE	START SERIAL NO.					
						EM0UT	EM0UU	FDA01	FDA02	FDA03	-
	1	A402093	1	Bracket Ass. ʘy-Accel							
	2	A661331	1	Cable Ass. ʘy-Accel							
	3	S3452963	3	Screw							
	4	A404108	1	Switch Ass. ʘy-Mono Ped							



D15/18S5 D20SC-5

FIG.7-220-3

220106-00141 Plate Ass. 7y - Floor

NOTE	ITEM NO.	PART NUMBER	QTY	DESCRIPTION	CHANGE CODE	START SERIAL NO.					
						EM0UT	EM0UU	FDA01	FDA02	FDA03	-
E	1	250106-00142	1	PLate Ass. 7y							
	2	D700327	102	Seal							
	3	A211367	2	Rubber-Stopper							
	4	D419719	2	Rivet							

РУМАКУ <https://find-parts.ru/>

РУМАКУ <https://find-parts.ru/>

РУМАКУ <https://find-parts.ru/>

РУМАКУ <https://find-parts.ru/>

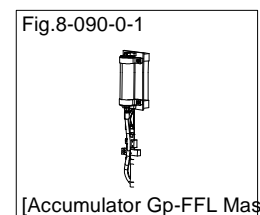
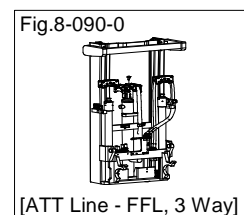
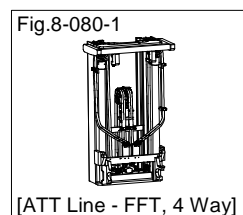
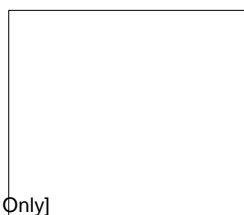
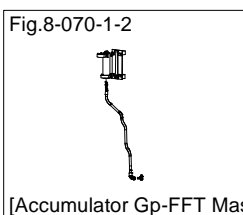
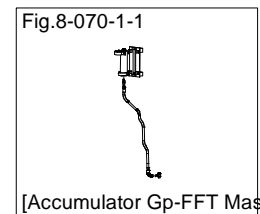
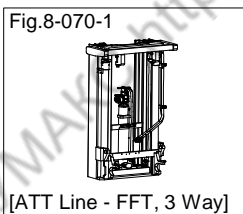
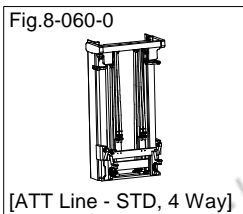
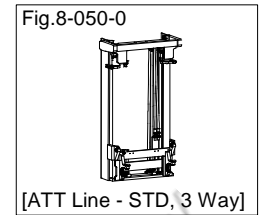
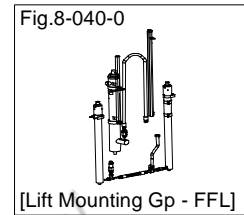
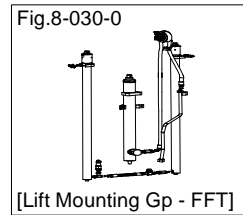
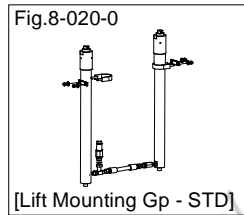
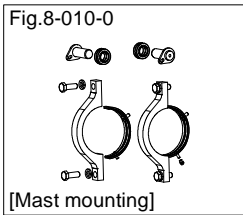
РУМАКУ <https://find-parts.ru/>

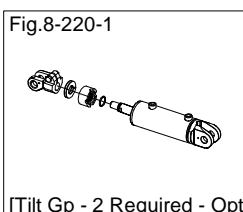
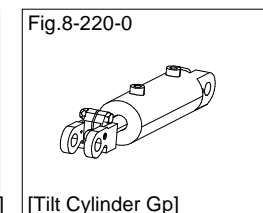
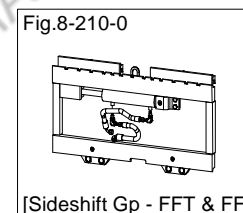
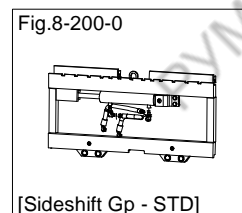
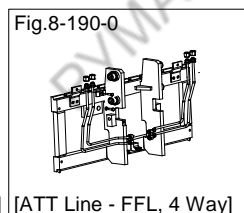
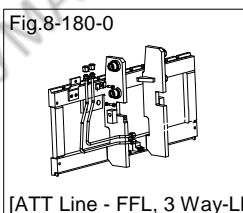
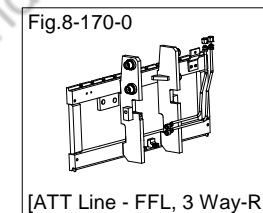
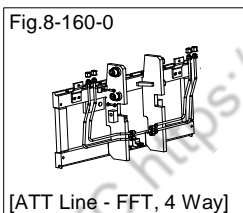
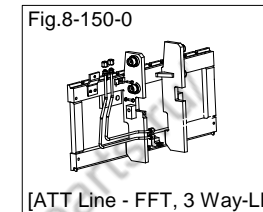
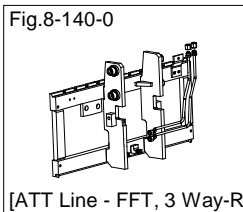
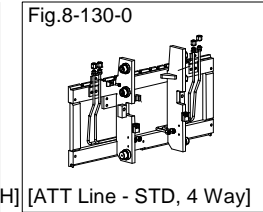
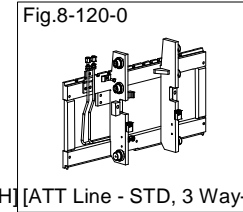
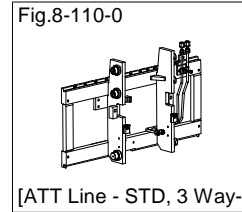
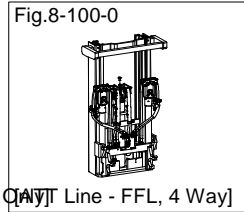
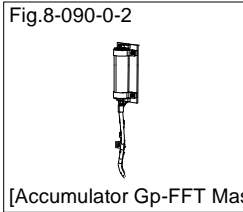
РУМАКУ <https://find-parts.ru/>

<https://find-parts.ru/>

<https://find-parts.ru/>

<https://find-parts.ru/>

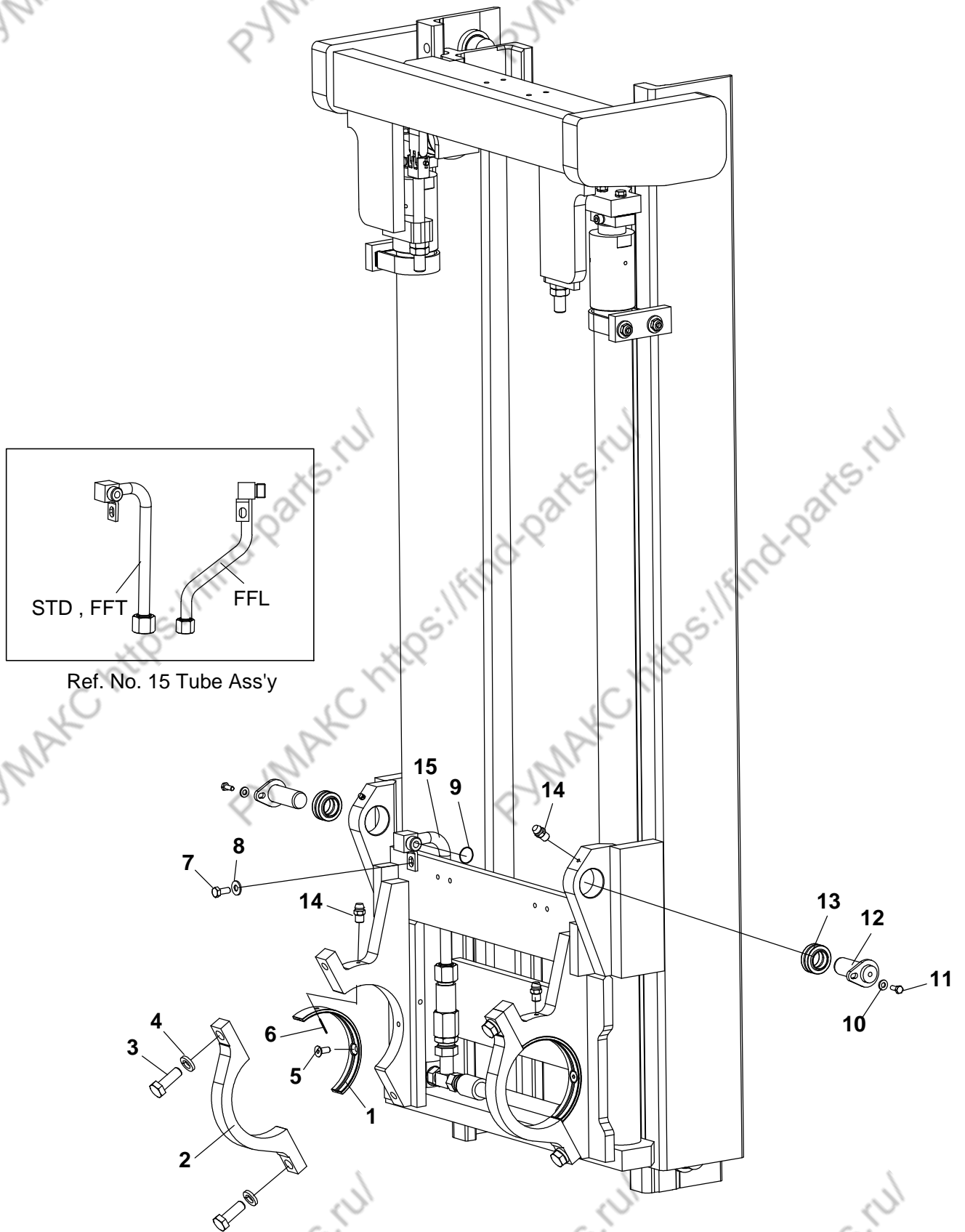




D15/18S5 D20SC-5

8) "MAST-HYDRAULIC"

GROUP Number	GROUP Name
A276175	Mounting Gp - Mast - STD, FFT
A276183	Mounting Gp - Mast - FFL
D583418	Mounting Gp - Lift - STD
A156569	Mounting Gp - Lift - FFT
D583524	Mounting Gp - Lift - FFL
D583426	Lines Gp - ATT - Primary - STD - 3 Way
D583427	Lines Gp - ATT - Primary - STD - 4 Way
A156571-01	Lines Gp - ATT - Primary - FFT - 3 Way
400804-00012	Accumulator Gp(MFH 4000) - FFT Mast Only
400804-00013	Accumulator Gp(Over MFH 4500) - FFT Mast Only
A156572-01	Lines Gp - ATT - Primary - FFT - 4 Way
D583428	Lines Gp - ATT - Primary - FFL - 3 Way
400804-00007	Accumulator Gp(Over MFH 2700mm) - FFL Mast Only
400804-00008	Accumulator Gp(Only MFH 4000mm) - FFT Mast Only
D583429	Lines Gp - ATT - Primary - FFL - 4 Way
D583432	Lines Gp - ATT - Secondary - STD - 3 Way - RH
D583433	Lines Gp - ATT - Secondary - STD - 3 Way - LH
D583434	Lines Gp - ATT - Secondary - STD - 4 Way
A156573	Lines Gp - ATT - Secondary - FFT - 3 Way - RH
A156574	Lines Gp - ATT - Secondary - FFT - 3 Way - LH
A156575	Lines Gp - ATT - Secondary - FFT - 4 Way
D583435	Lines Gp - ATT - Secondary - FFL - 3 Way - RH
D583436	Lines Gp - ATT - Secondary - FFL - 3 Way - LH
D583437	Lines Gp - ATT - Secondary - FFL - 4 Way
D584018	Lines Gp - ATT - Sideshift - STD
D584019	Lines Gp - ATT - Sideshift - FFL & FFT
D518276	Tilt Cylinder Gp Tilt Gp - 2 Required - Option



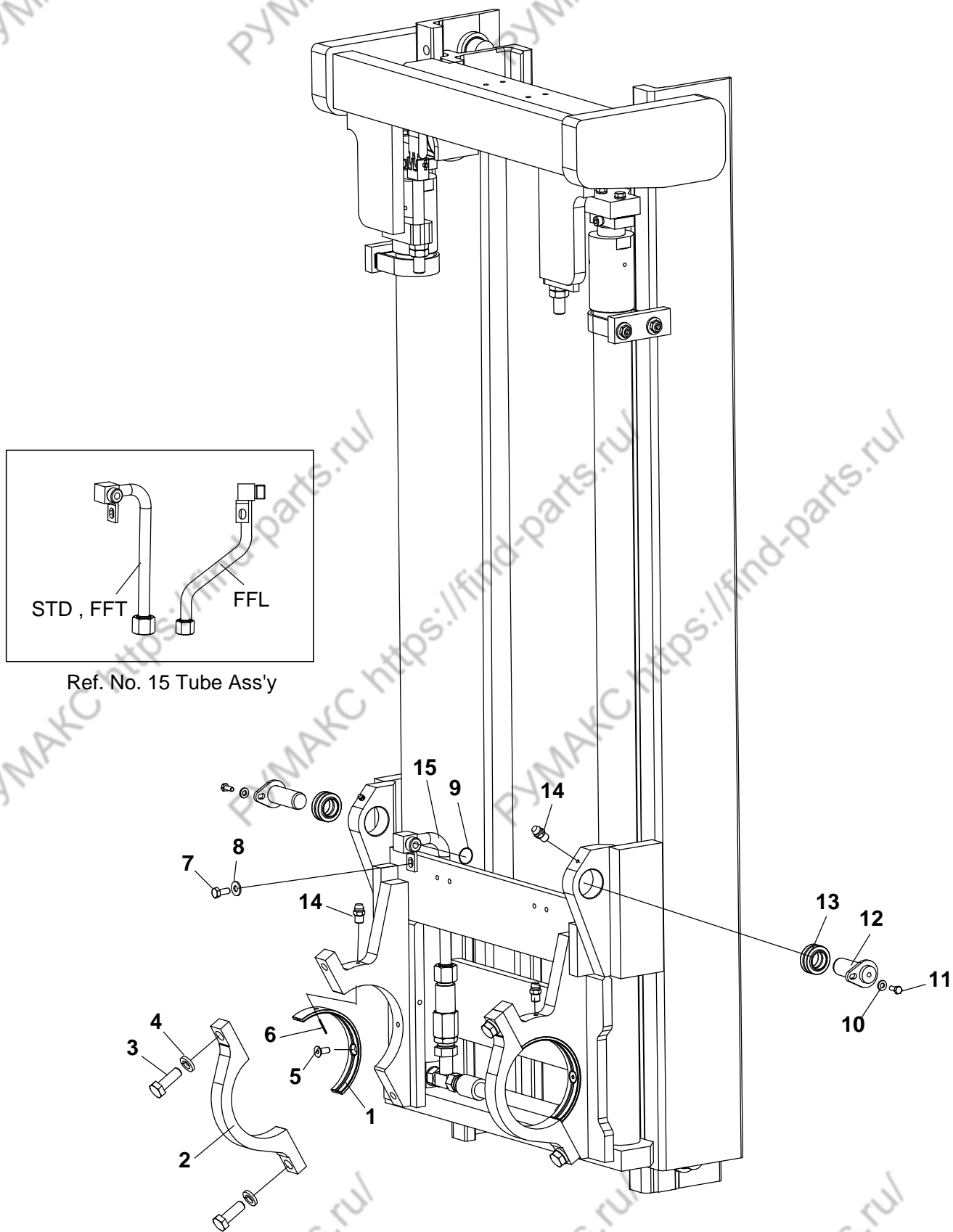
Ref. No. 15 Tube Ass'y

D15/18S5 D20SC-5

FIG.8-010-0

A276175 Mounting Gp - Mast - STD, FFT

NOTE	ITEM NO.	PART NUMBER	QTY	DESCRIPTION	CHANGE CODE	START SERIAL NO.					
						EM0UT	EM0UU	FDA01	FDA02	FDA03	-
	1	D580022	2	Bushing							
	2	D580091	2	Cap							
	3	S0562763	4	Bolt							
	4	S5102803	4	Washer							
	5	D915031	2	Screw							
	6	S5740770	2	Pin-Spring							
	7	S0508863	1	Bolt							
	8	D917168	1	Washer							
	9	S8030081	1	O-Ring							
	10	D917007	2	Washer							
	11	S0504663	2	Bolt							
	12	D700685	2	Pin Ass. ʹy							
	13	D580058	2	Bearing							
	14	D909174	4	Fitting-Lube							
	15	A156500	1	Tube Ass. ʹy(STD, FFT)							



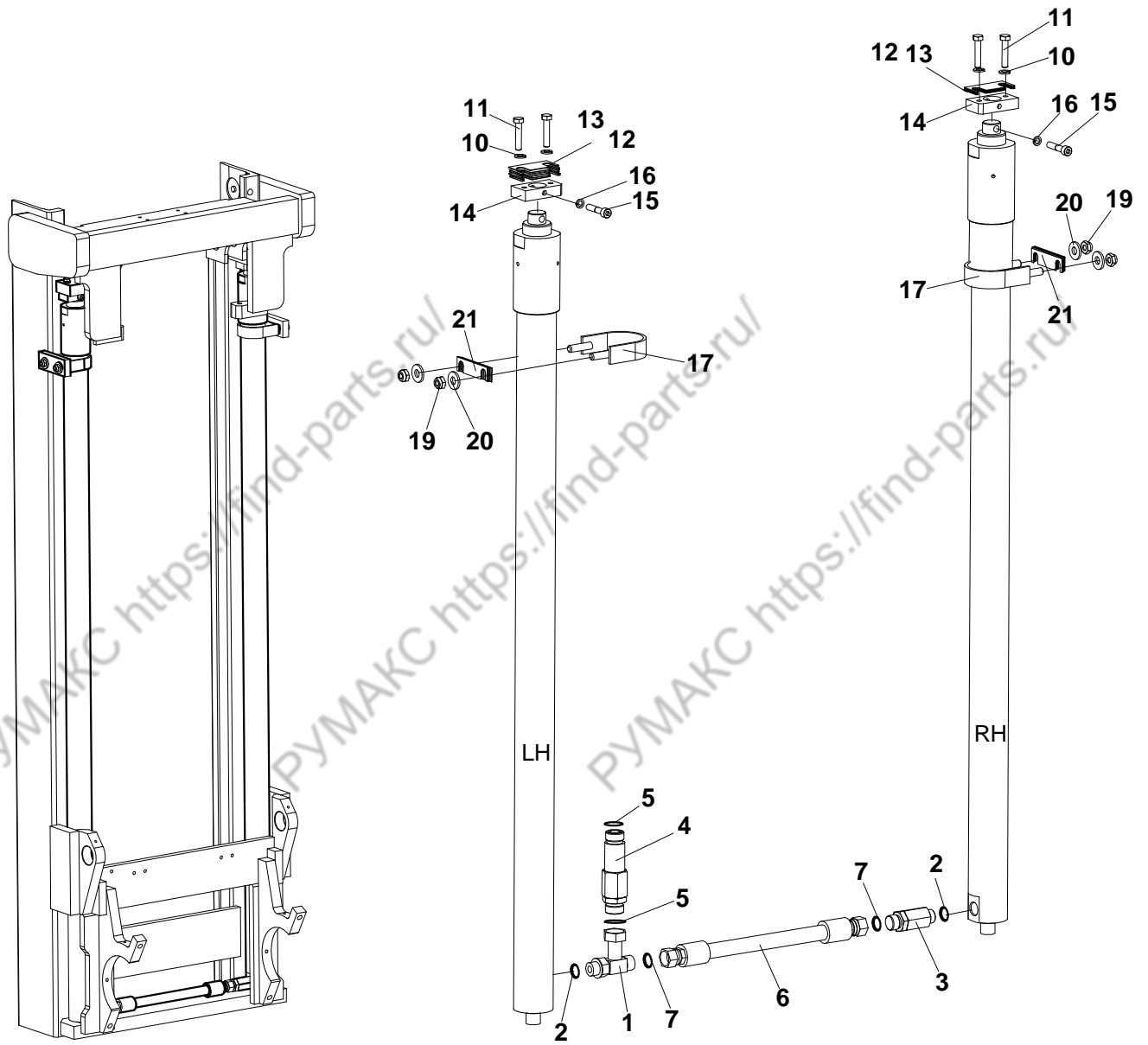
Ref. No. 15 Tube Ass'y

D15/18S5 D20SC-5

FIG.8-010-0

A276183 Mounting Gp - Mast - FFL

NOTE	ITEM NO.	PART NUMBER	QTY	DESCRIPTION	CHANGE CODE	START SERIAL NO.					
						EM0UT	EM0UU	FDA01	FDA02	FDA03	-
	1	D580022	2	Bushing							
	2	D580091	2	Cap							
	3	S0562763	4	Bolt							
	4	S5102803	4	Washer							
	5	D915031	2	Screw							
	6	S5740770	2	Pin-Spring							
	7	S0508863	1	Bolt							
	8	D917168	1	Washer							
	9	S8030081	1	O-Ring							
	10	D917007	2	Washer							
	11	S0504663	2	Bolt							
	12	D700685	2	Pin Ass. y							
	13	D580058	2	Bearing							
	14	D909174	4	Fitting-Lube							
	15	A156381	1	Tube Ass. y(F)							



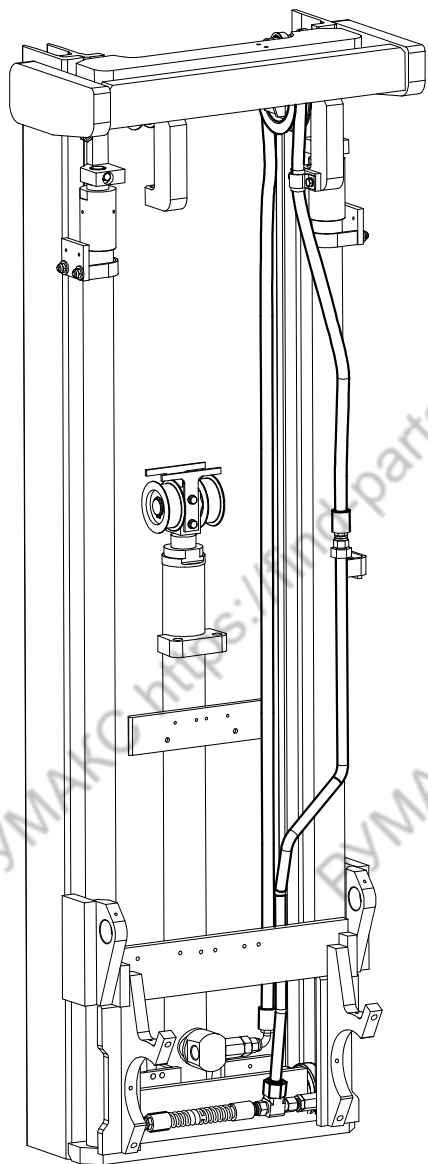
[Mounting Gp Lift - STD]

D15/18S5 D20SC-5

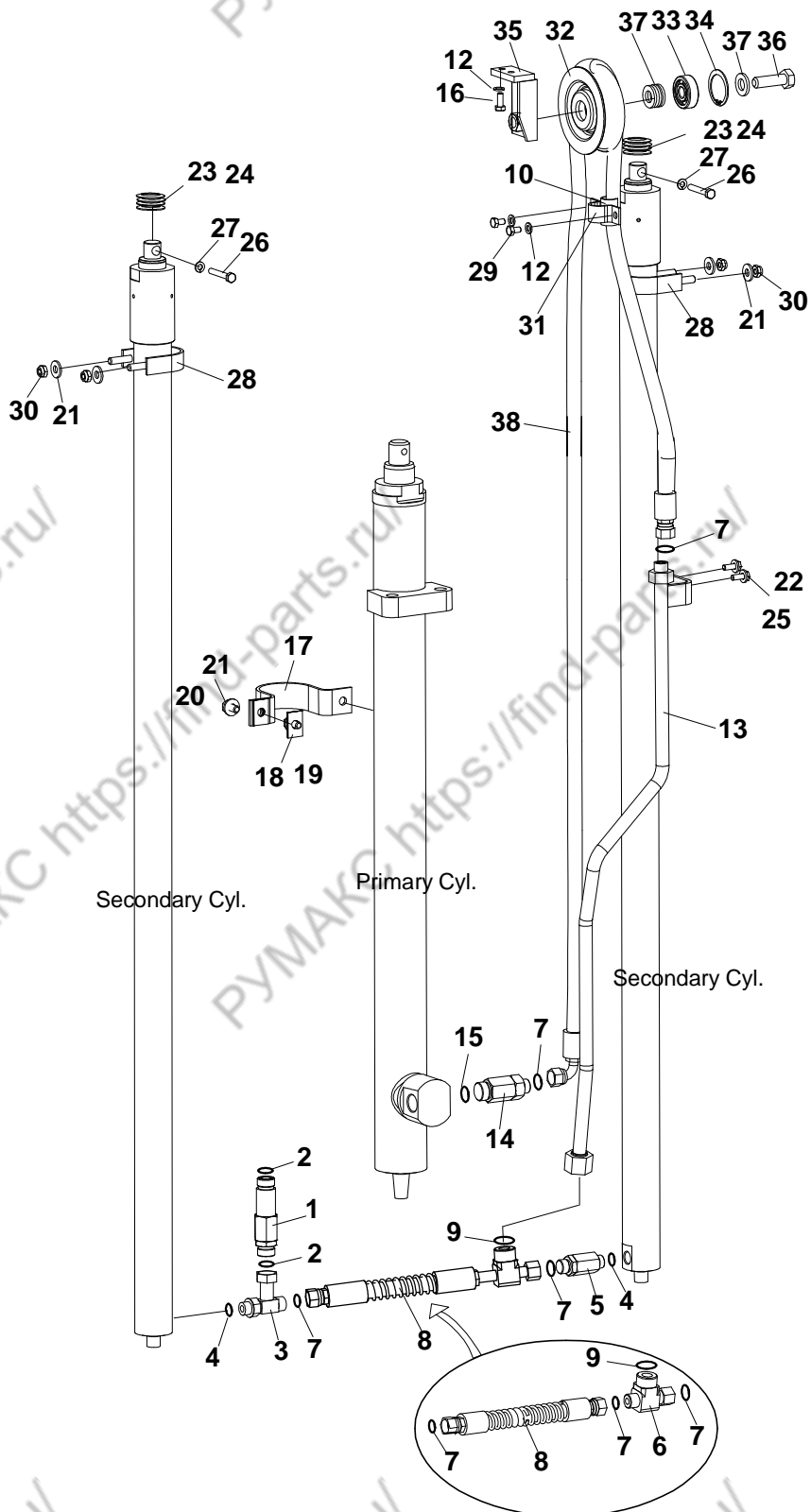
FIG.8-020-0

D583418 Mounting Gp - Lift - STD

NOTE	ITEM NO.	PART NUMBER	QTY	DESCRIPTION	CHANGE CODE	START SERIAL NO.					
						EM0UT	EM0UU	FDA01	FDA02	FDA03	-
	1	D580023	1	Tee							
	2	S8040081	2	O-Ring							
	3	D501495	1	Protector Ass. ѓy							
	4	D501493	1	Regulator							
	5	S8030101	2	O-Ring							
	6	DS2011447	1	Hose Ass. ѓy							
	7	S8030081	2	O-Ring							
	10	S5102503	4	Washer							
	11	S0556163	4	Bolt							
	12	D580061	6	Shim							
	13	D580062	6	Shim							
	14	D580099	2	Plate							
	15	S2209463	2	Bolt							
	16	S5110503	2	Washer							
	17	A156585	2	U-Bolt Ass. ѓy							
	19	D913002	4	Nut							
	20	D917169	4	Washer							
	21	D584278	8	Shim							



[Mounting Gp Lift - FFT]

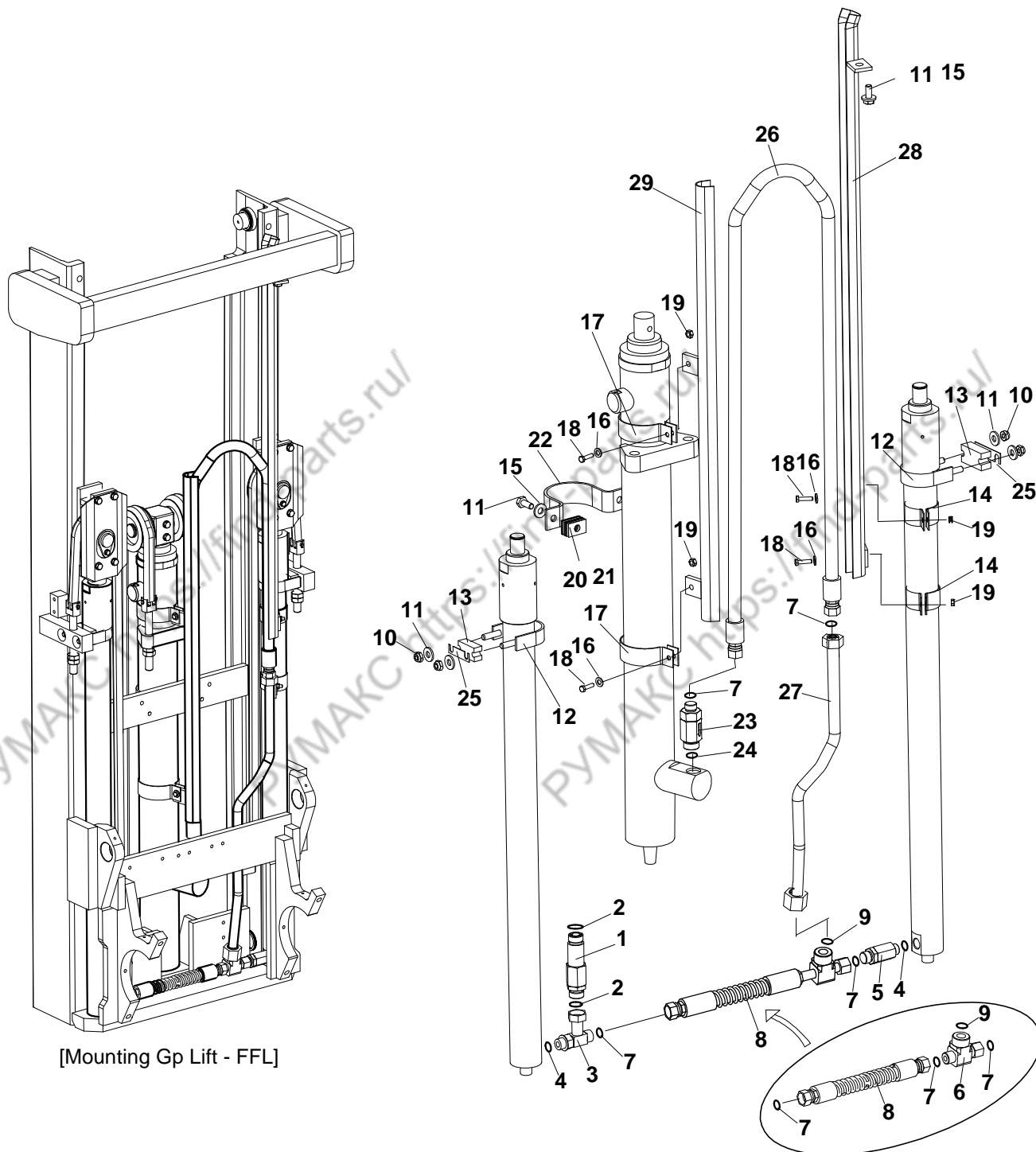


D15/18S5 D20SC-5

FIG.8-030-0

A156569 Mounting Gp - Lift - FFT

NOTE	ITEM NO.	PART NUMBER	QTY	DESCRIPTION	CHANGE CODE	START SERIAL NO.				
						EMOUT	EMOUU	FDA01	FDA02	FDA03
	1	D501493	1	Regulator Ass. y						
	2	S8030101	2	O-Ring						
	3	D580023	1	Tee						
	4	S8040081	2	O-Ring						
	5	D501495	1	Protector Ass. y-SEC.						
	6	D580025	1	Tee(Delete)						
	7	S8030081	4	O-Ring						
	8	420105-00085	1	Hose Ass. y						
	9	S8030121	1	O-Ring(Delete)						
	10		1	Strap						
	12	D917092	4	Washer						
	13	A156503	1	Tube Ass. y						
	14	D502539	1	Flow Protector						
	15	S8040121	1	O-Ring						
	16	S0508863	2	Bolt						
	17	A156589	1	Clamp						
	18	D580387	4	Shim						
	19	D580388	2	Shim						
	20	S0511863	2	Bolt						
	21	D917169	6	Washer						
	22	S0504663	2	Bolt(Delete)						
	23	D583333	6	Shim						
	24	D583334	2	Shim						
	25	D917094	2	Washer(Delete)						
	26	S0556463	2	Bolt						
	27	S5102503	2	Washer						
	28	A156585	2	U-Bolt Ass. y						
	29	S0509363	2	Bolt						
	30	D913002	4	Nut-Lock						
	31	120203-00026	1	Clamp						
	32	A216229	1	Sheave						
	33	D582721	1	Bearing						
	34	D919008	1	Ring						
	35	D583466	1	Bracket Ass. y						
	36	S0560563	1	Bolt						
	37	D917003	4	Washer						
	38	DS20131423	1	Hose Ass. y-MFH 4000mm						
		DS20131426	1	Hose Ass. y-MFH 4500mm						
		DS20131427	1	Hose Ass. y-MFH 4750mm						
		D860887	1	Hose Ass. y-MFH 5000mm						
		DS20131430	1	Hose Ass. y-MFH 5500mm						
		DS20131432	1	Hose Ass. y-MFH 6000mm						
		A156563		Mounting Gp-Lift-FFT MFH 4000mm						
		A156564		Mounting Gp-Lift-FFT MFH 4500mm						
		A156565		Mounting Gp-Lift-FFT MFH 4750mm						
		A156566		Mounting Gp-Lift-FFT MFH 5000mm						
		A156567		Mounting Gp-Lift-FFT MFH 5500mm						
		A156568		Mounting Gp-Lift-FFT						



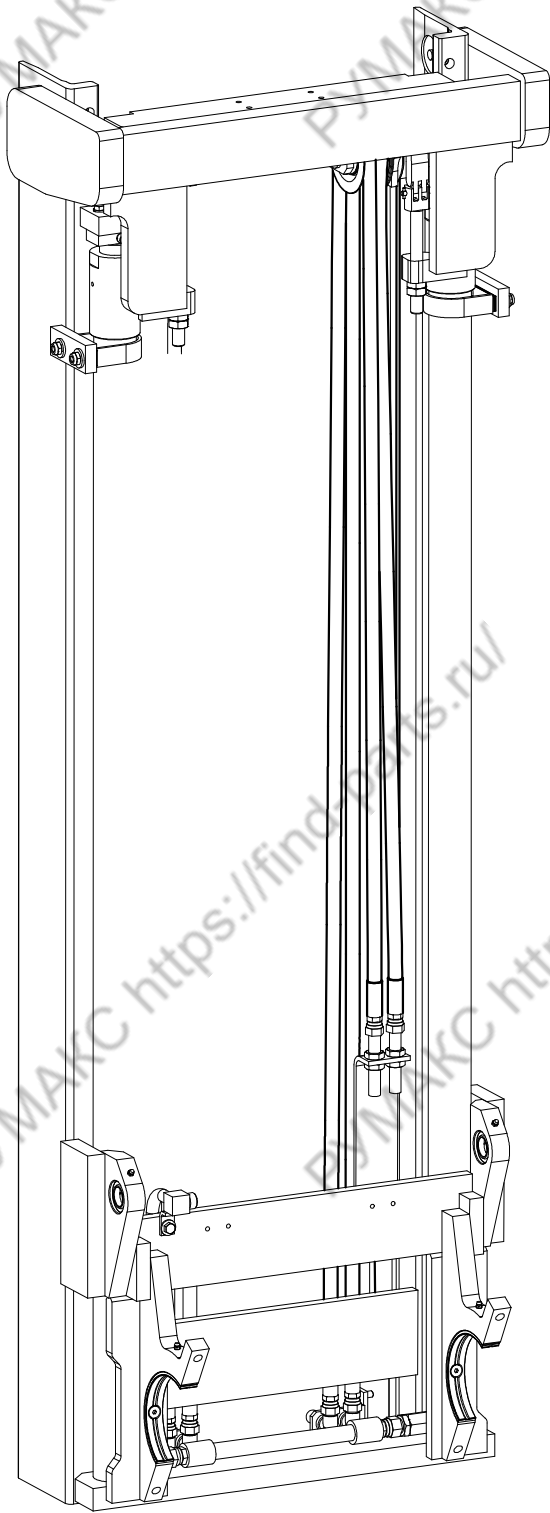
[Mounting Gp Lift - FFL]

D15/18S5 D20SC-5

FIG.8-040-0

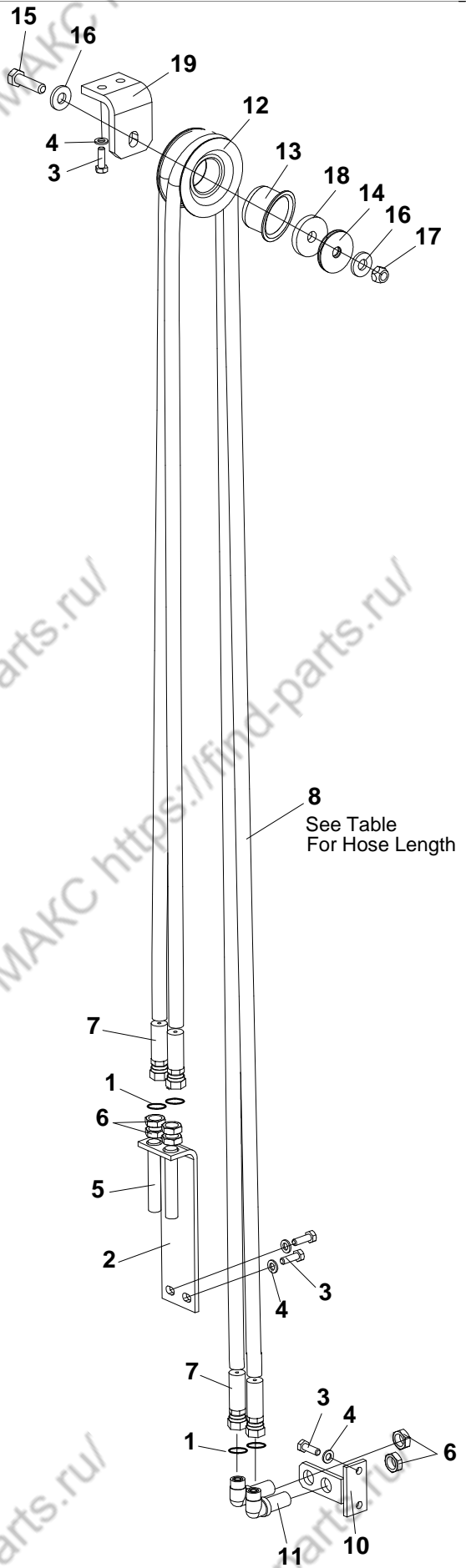
D583524 Mounting Gp - Lift - FFL

NOTE	ITEM NO.	PART NUMBER	QTY	DESCRIPTION	CHANGE CODE	START SERIAL NO.					
						EM0UT	EM0UU	FDA01	FDA02	FDA03	-
	1	D501493	1	Regulator Ass. ѳy							
	2	S8030101	2	O-Ring							
	3	D580023	1	Tee							
	4	S8040081	2	O-Ring							
	5	D501495	1	Protector Ass. ѳy							
	6	D580025	1	Tee(Delete)							
	7	S8030081	4	O-Ring							
	8	A156645	1	Hose Ass. ѳy							
	9	S8030121	1	O-Ring							
	10	D913002	4	Nut-Lock							
	11	D917169	7	Washer							
	12	A156585	2	U-Bolt Ass. ѳy							
	13	D583939	2	Spacer-Rubber							
	14	D584555	2	Clamp							
	15	S0512063	3	Bolt							
	16	D917092	4	Washer							
	17	D582991	2	Clamp							
	18	S0505063	4	Bolt							
	19	S4012333	4	Nut							
	20	D580387	10	Shim							
	21	D580388	2	Shim							
	22	D583447	1	Clamp							
	23	D502539	1	Protector Ass. ѳy							
	24	S8040121	1	O-Ring							
	25	D584278	2	Shim							
	26	D583658	1	Hose Ass. ѳy-MFH 2700mm							
		D583659	1	Hose Ass. ѳy-MFH 3000mm							
		D583660	1	Hose Ass. ѳy-MFH 3300mm							
	27	A276176	1	Tube Ass. ѳy-MFH 2700mm							
		A276177	1	Tube Ass. ѳy-MFH 3000mm							
		A276178	1	Tube Ass. ѳy-MFH 3300mm							
	28	D583669	1	Channel As-MFH 2700mm							
		D583670	1	Channel As-MFH 3000mm							
		D583671	1	Channel As-MFH 3300mm							
	29	D583672	1	Channel As-MFH 2700mm							
		D583673	1	Channel As-MFH 3000mm							
		D583674	1	Channel As-MFH 3300mm							
		A276099		Mounting Gp-Lift-FFL MFH 2700mm							
		A276100		Mounting Gp-Lift-FFL MFH 3000mm							
		A276101		Mounting Gp-Lift-FFL MFH 3300mm							



[Lines Gp ATT - STD - Primary - 3 Way]

HOSE CUT TO LENGTH TABLE(UNIT:CM)	
MFH(MM)	HOSE(2EA REQ'D)
3000	292.5
3300	322.5
3500	344.5
3700	364.5
4000	404.5
4500	452.5

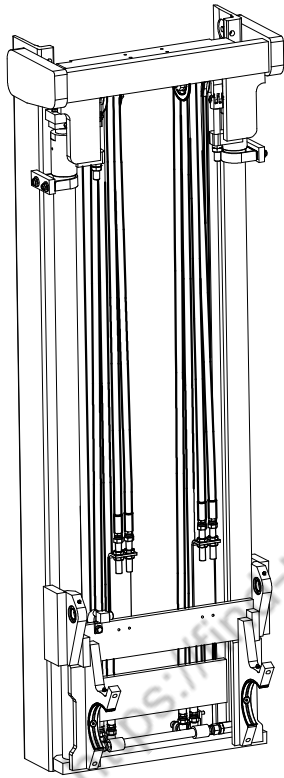


D15/18S5 D20SC-5

FIG.8-050-0

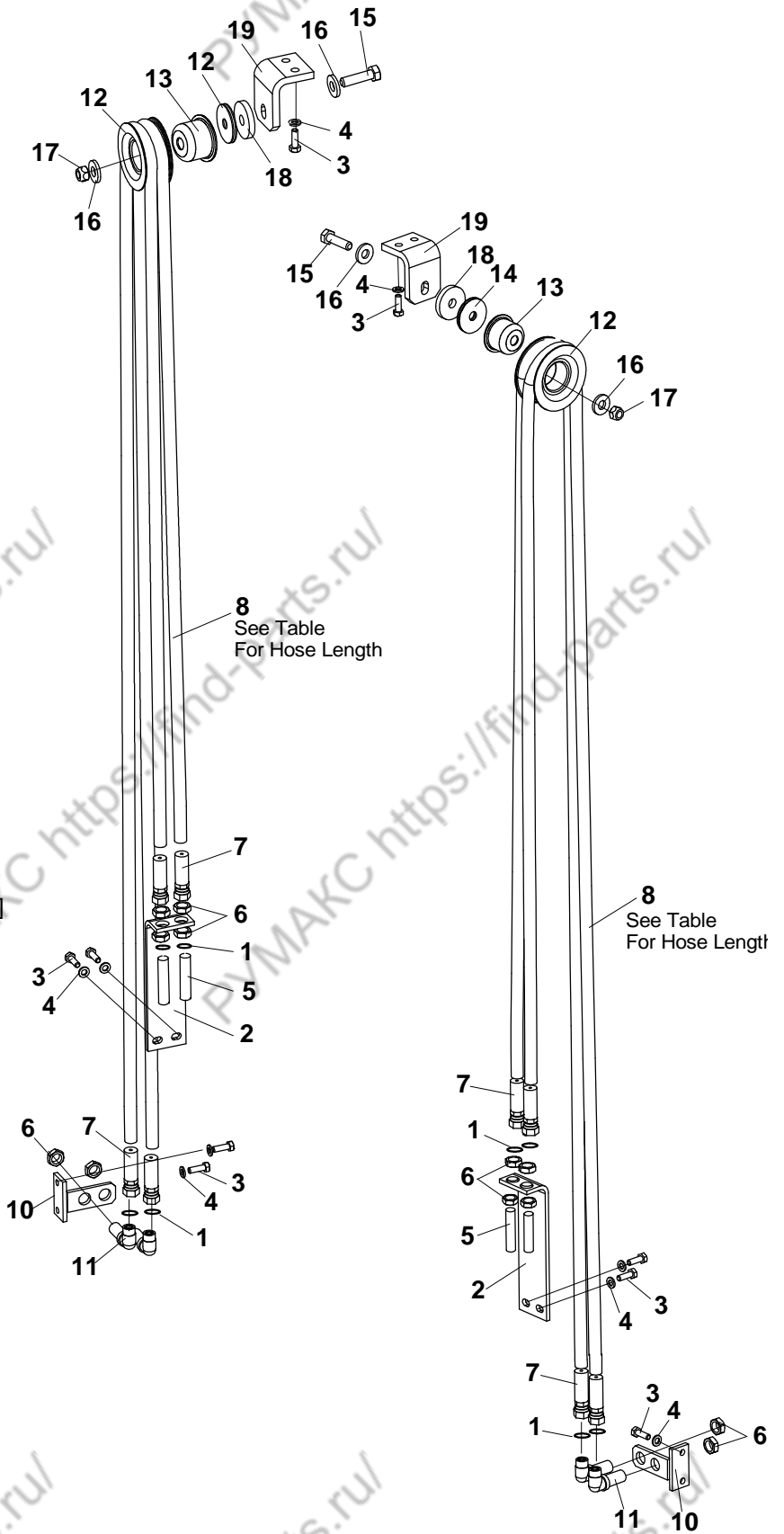
D583426 Lines Gp - ATT - Primary - STD - 3 Way

NOTE	ITEM NO.	PART NUMBER	QTY	DESCRIPTION	CHANGE CODE	START SERIAL NO.					
						EM0UT	EM0UU	FDA01	FDA02	FDA03	-
	1	S8030061	8	O-Ring							
	2	D580107	1	Bracket							
	3	S0509063	6	Bolt							
	4	D917092	6	Washer							
	5	D580108	2	Union							
	6	D580063	6	Nut							
	7	D580109	4	Coupling	R	0001~	0001~				
C		430210-00128	4	Coupling							
B,E	8	A516655	732	Hose-Cm	R	0001~	0001~				
C,E		420105-00384	737	Hose-Cm							
	10	D583403	1	Bracket							
	11	D500276	2	Elbow							
	12	D700492	1	Sheave							
	13	D580384	1	Cup							
	14	D917232	2	Washer							
	15	S0560663	1	Bolt							
	16	D917041	2	Washer							
	17	D913010	1	Nut-Lock							
	18	D700493	1	Plate							
	19	D583518	1	Bracket							



[Lines Gp ATT - STD - Primary - 4 Way]

HOSE CUT TO LENGTH TABLE(UNIT:CM)	
MFH(MM)	HOSE(2EA REQ'D)
3000	292.5
3300	322.5
3500	344.5
3700	364.5
4000	404.5
4500	452.5

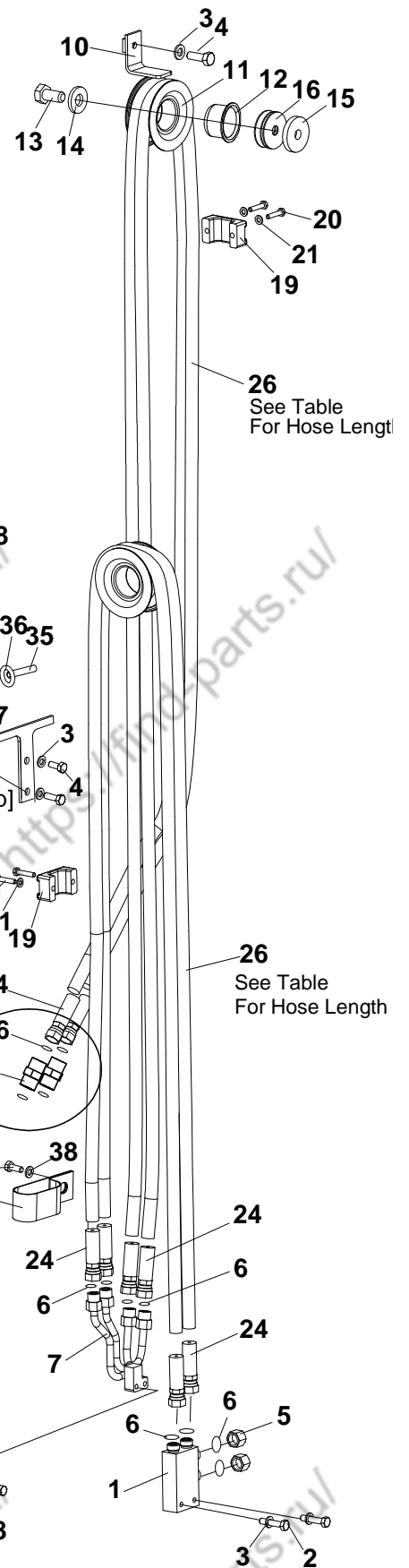
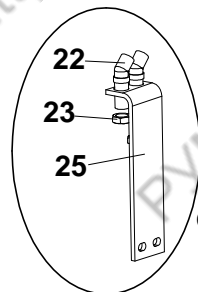
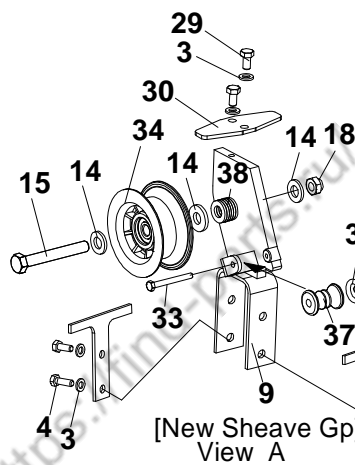
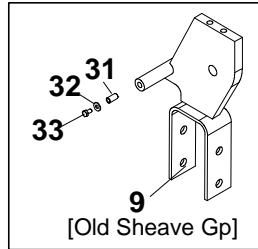
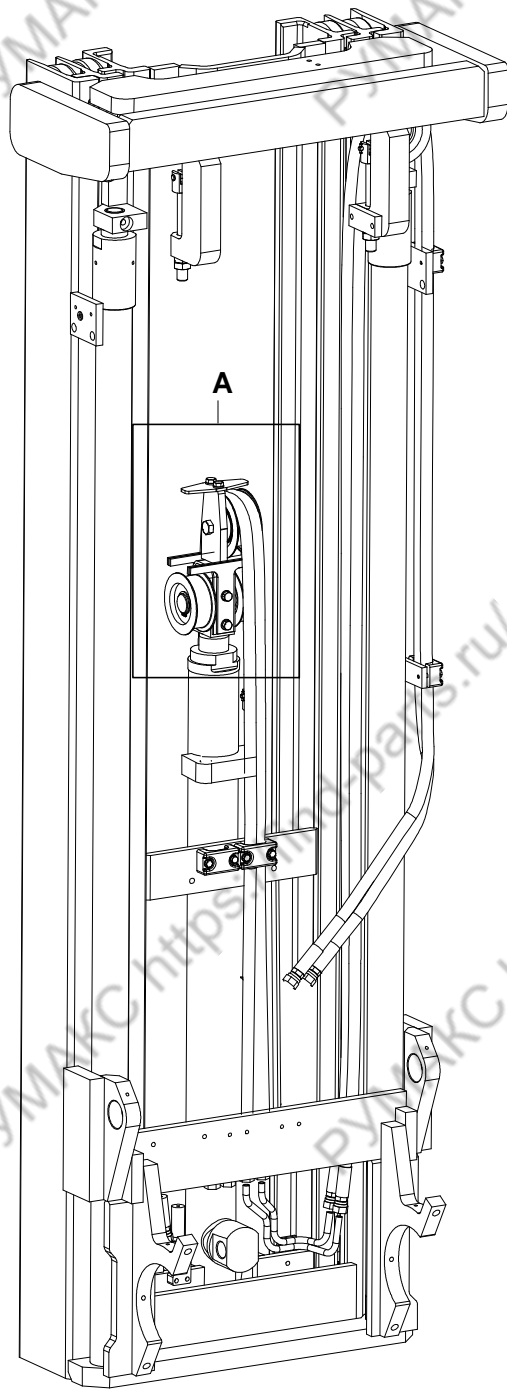


D15/18S5 D20SC-5

FIG.8-060-0

D583427 Lines Gp - ATT - Primary - STD - 4 Way

NOTE	ITEM NO.	PART NUMBER	QTY	DESCRIPTION	CHANGE CODE	START SERIAL NO.					
						EM0UT	EM0UU	FDA01	FDA02	FDA03	-
	1	S8030061	16	O-Ring							
	2	D580107	2	Bracket							
	3	S0509063	12	Bolt							
	4	D917092	12	Washer							
	5	D580108	4	Union							
	6	D580063	12	Nut							
	7	D580109	8	Coupling	R	0001~	0001~				
C		430210-00128	8	Coupling							
B	8	A516655	1444	Hose-Cm	R	0001~	0001~				
C,B			1455	Hose-Cm							
	10	D583403	2	Bracket							
	11	D500276	4	Elbow							
	12	D700492	2	Sheave							
	13	D580384	2	Cup							
	14	D917232	4	Washer							
	15	S0560663	2	Bolt							
	16	D917041	4	Washer							
	17	D913010	2	Nut-Lock							
	18	D700493	2	Plate							
	19	D583518	2	Bracket							



[Lines Gp ATT - FFT - Primary - 3 Way]

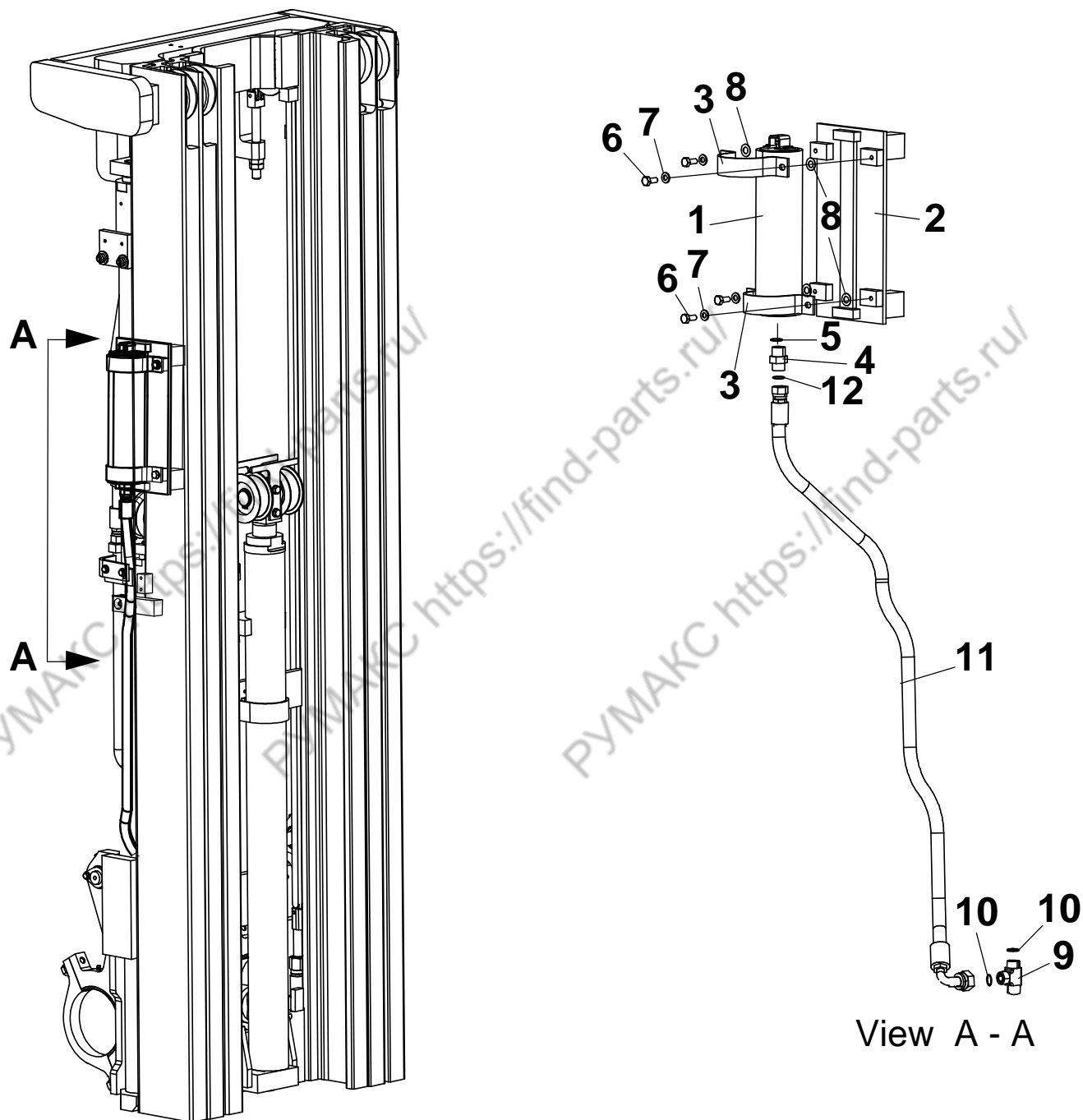
CUT TO LENGTH TABLE (CM)						
MFH (mm)	4000	4500	4750	5000	5500	6000
HOSE A	266	299.4	316	339.4	386	419.4
HOSE B	199	215.6	224	225.6	259	275.6

D15/18S5 D20SC-5

FIG.8-070-0

A156571-01 Lines Gp - ATT - Primary - FFT - 3 Way

NOTE	ITEM NO.	PART NUMBER	QTY	DESCRIPTION	CHANGE CODE	START SERIAL NO.					
						EM0UT	EM0UU	FDA01	FDA02	FDA03	-
	1	A216277	1	Block Ass. ʘy							
	2	S0556163	2	Bolt							
	3	D917092	7	Washer							
	4	S0509063	4	Bolt							
	5	D909092	2	Cap Ass. ʘy							
	6	S8030061	12	O-Ring							
	7	A156495	1	Tube Ass. ʘy-RH							
	8	D580786	2	Strap							
	9	110414-00162	1	Bracket Ass. ʘy-Sheave							
	10	A156628	1	Bracket							
	11	D700492	1	Sheave							
	12	D580384	1	Cup							
	13	S0515063	1	Bolt							
	14	D917041	3	Washer							
	15	D700493	1	Plate							
	16	D917232	3	Washer							
	17	S0561063	1	Bolt							
	18	D913010	1	Nut-Lock							
	19	A186860	1	Clamp							
	20	S0505263	2	Bolt							
	21	S5010313	2	Washer							
	22	DS2248007	2	Adapter							
	23	D580063	2	Nut							
	24	D580109	8	Coupling	R	0001~	0001~				
C		430210-00128	8	Coupling							
	25	D580107	1	Bracket							
E		A516655	1	Hose-Bulk(1135cm)	R	0001~	0001~				
C,E		420105-00384	1	Hose-Bulk(1145cm)							
	28	S0508863	2	Bolt							
	29	S0508663	2	Bolt							
	30	A156630	1	Bracket							
	31	A156547	2	Sleeve							
	32	D917168	2	Washer							
	33	S0553763	1	Bolt							
	34	130706-00004	1	Sheave							
	35	D582661	1	Spacer							
	36	A216301	1	O-Ring							
	37	A216278	1	Roller							
	38	D917091	7	Washer							
	39	D917168	1	Washer							
	40	D480556	1	Clip							

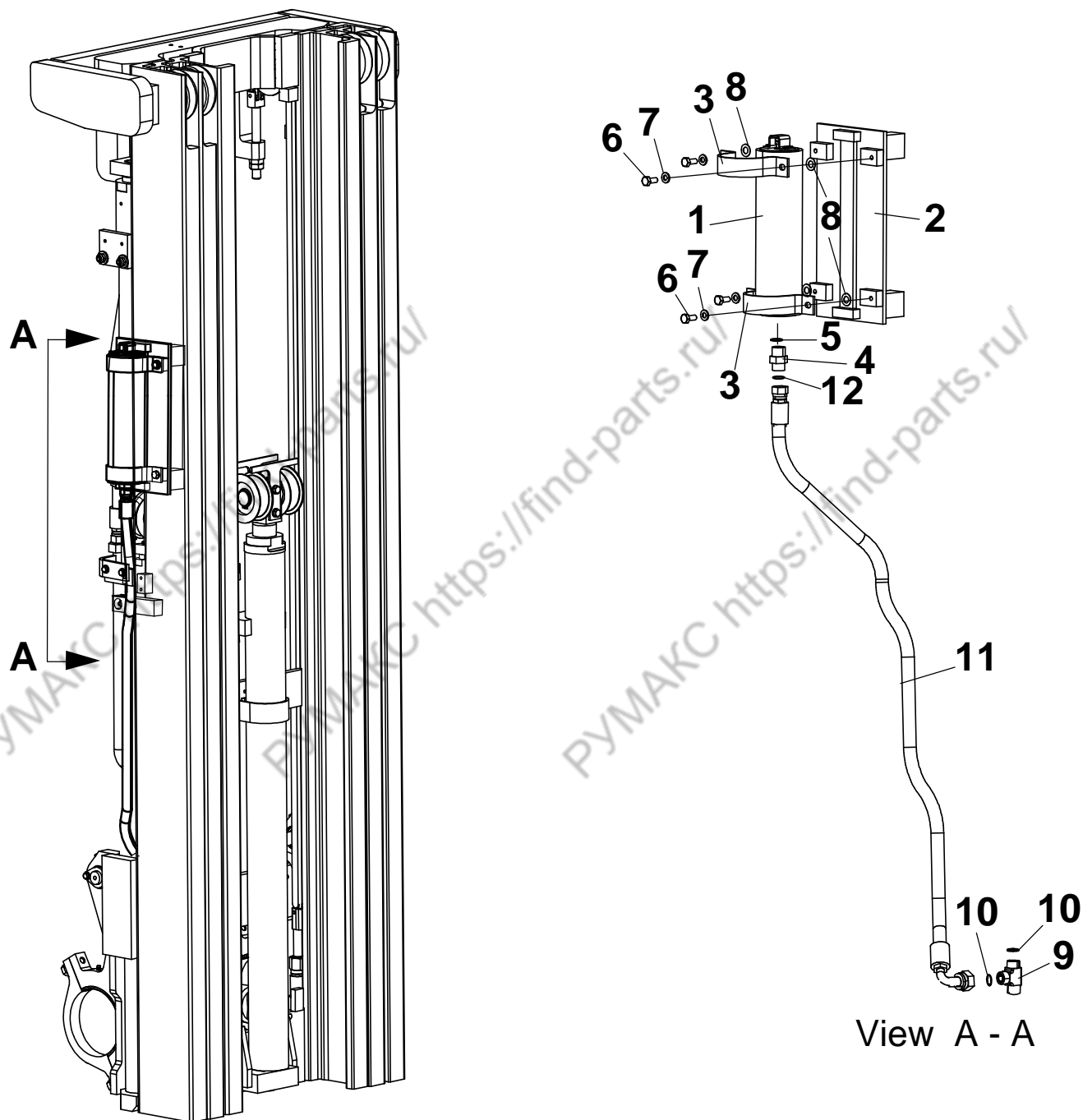


D15/18S5 D20SC-5

FIG.8-070-1-1

400804-00012 Accumulator Gp(MFH 4000) - FFT Mast Only

NOTE	ITEM NO.	PART NUMBER	QTY	DESCRIPTION	CHANGE CODE	START SERIAL NO.					
						EM0UT	EM0UU	FDA01	FDA02	FDA03	-
	1	D860959	1	Accumulator							
	2	110414-00193	1	Bracket							
	3	D580386	2	Clamp							
	4	D905047	1	Connector							
	5	S8040121	1	O-Ring							
	6	S0512063	4	Bolt							
	7	D917093	4	Washer							
	8	D360139	8	Shim							
	9	D419556	1	Tee							
	10	S8030081	2	O-Ring							
	11	DS20131563	1	Hose Ass. y							
	12	S8030101	1	O-Ring							

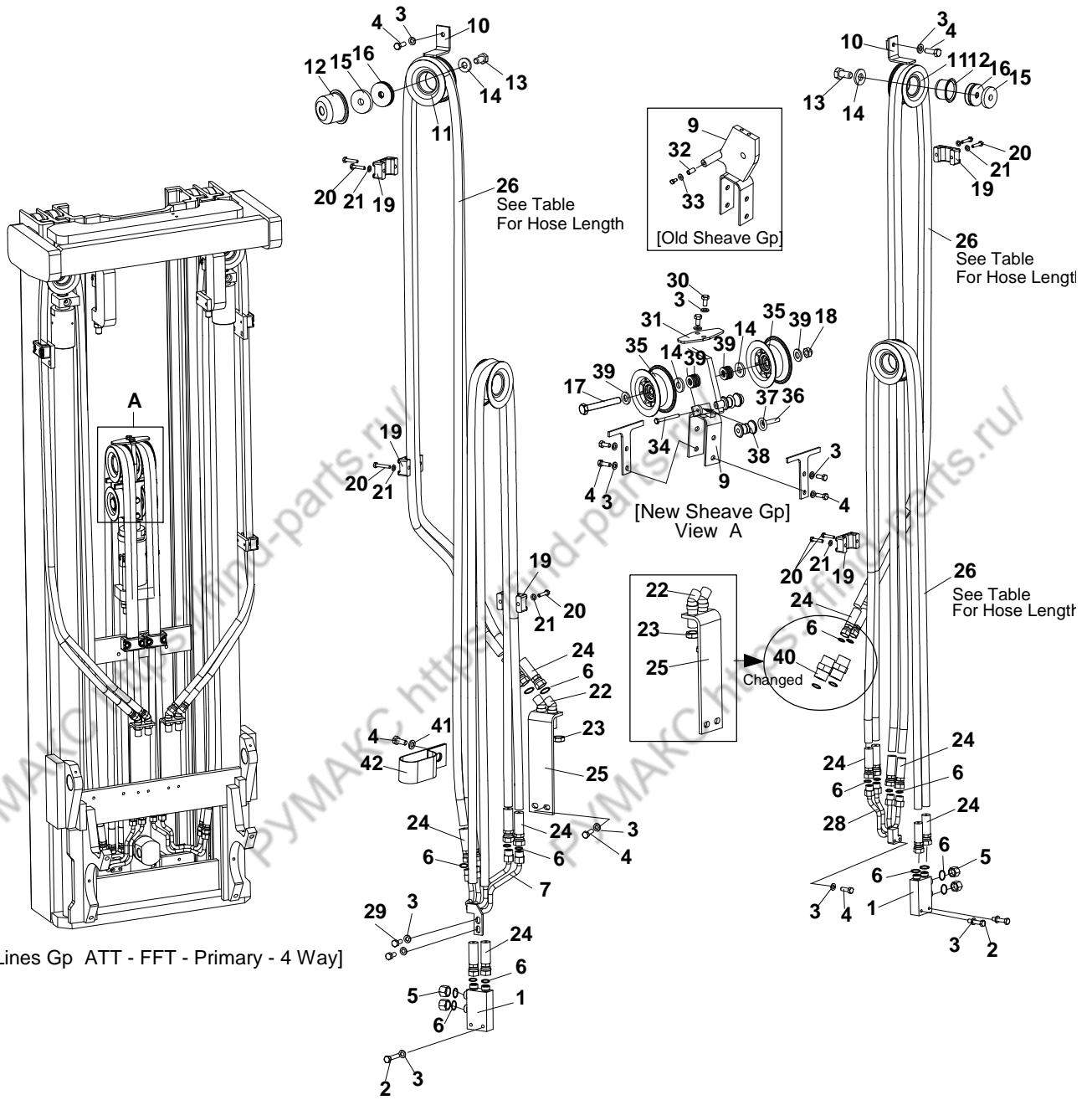


D15/18S5 D20SC-5

FIG.8-070-1-2

400804-00013 Accumulator Gp(Over MFH 4500) - FFT Mast Only

NOTE	ITEM NO.	PART NUMBER	QTY	DESCRIPTION	CHANGE CODE	START SERIAL NO.					
						EM0UT	EM0UU	FDA01	FDA02	FDA03	-
	1	D860959	1	Accumulator							
	2	110414-00194	1	Bracket							
	3	D580386	2	Clamp							
	4	D905047	1	Connector							
	5	S8040121	1	O-Ring							
	6	S0512063	4	Bolt							
	7	D917093	4	Washer							
	8	D360139	8	Shim							
	9	D419556	1	Tee							
	10	S8030081	2	O-Ring							
	11	DS20131563	1	Hose Ass. y							
	12	S8030101	1	O-Ring							



[Lines Gp ATT - FFT - Primary - 4 Way]

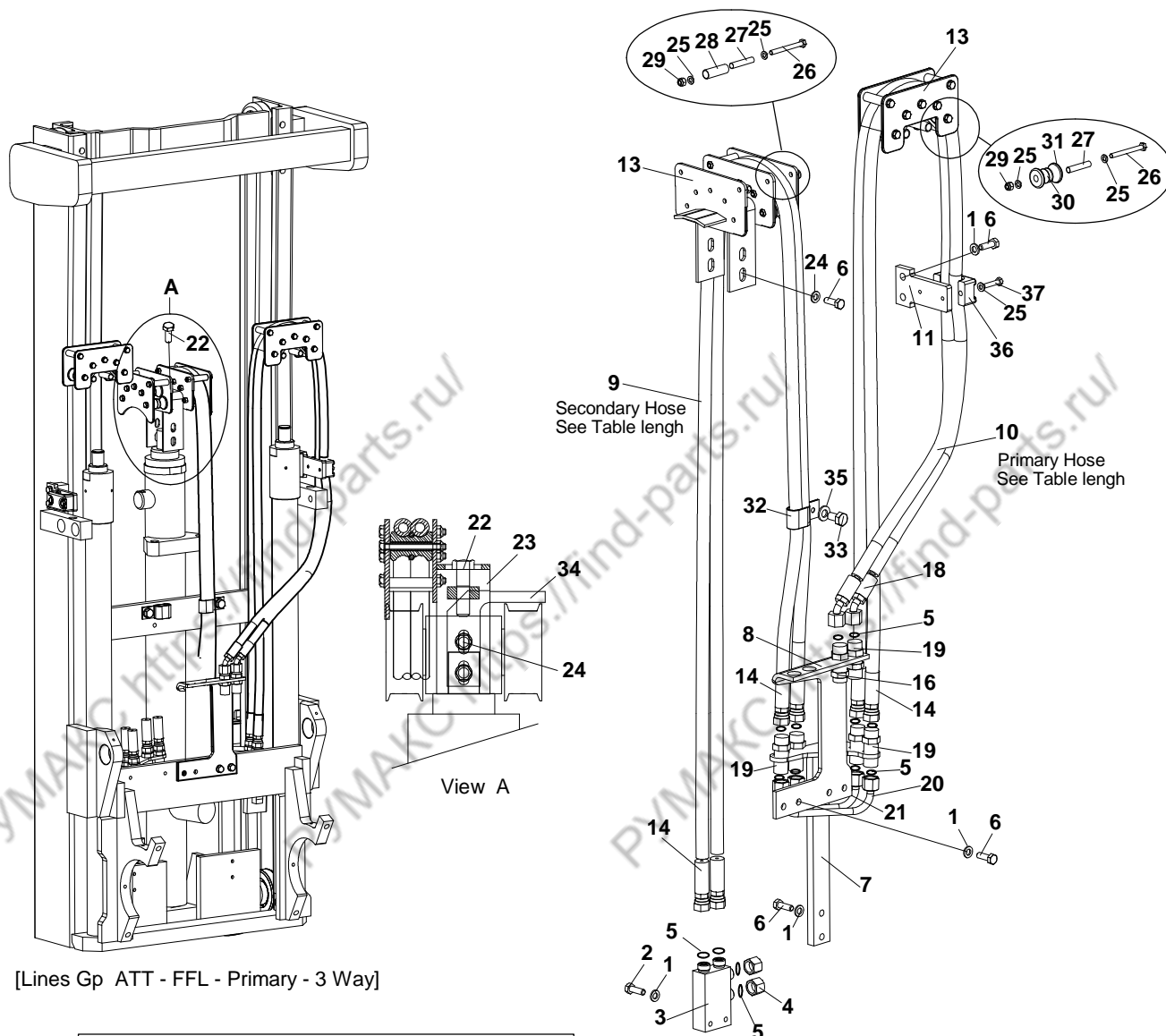
CUT TO LENGTH TABLE (CM)						
MFH (mm)	4000	4500	4750	5000	5500	6000
HOSE A	266	299.4	316	339.4	386	419.4
HOSE B	199	215.6	224	225.6	259	275.6

D15/18S5 D20SC-5

FIG.8-080-0

A156572-01 Lines Gp - ATT - Primary - FFT - 4 Way

NOTE	ITEM NO.	PART NUMBER	QTY	DESCRIPTION	CHANGE CODE	START SERIAL NO.				
						EM0UT	EM0UU	FDA01	FDA02	FDA03
	1	A216277	2	Block Ass. ʘy						
	2	S0556163	4	Bolt						
	3	D917092	14	Washer						
	4	S0509063	9	Bolt						
	5	D909092	4	Cap Ass. ʘy						
	6	S8030061	24	O-Ring						
	7	A156495	1	Tube Ass. ʘy-RH						
	8	D580786	5	Strap						
	9	110414-00163	1	Bracket Ass. ʘy-Sheave						
	10	A156628	2	Bracket						
	11	D700492	2	Sheave						
	12	D580384	2	Cup						
	13	S0515063	2	Bolt						
	14	D917041	4	Washer						
	15	D700493	2	Plate						
	16	D917232	6	Washer						
	17	S0561563	1	Bolt						
	18	D913010	1	Nut-Lock						
	19	A186860	2	Clamp						
	20	S0505263	4	Bolt						
	21	S5010313	4	Washer						
	22	D902184	2	Elbow						
	23	D580063	2	Nut						
	24	D580109	16	Coupling	R	0001~	0001~			
C		430210-00128	16	Coupling						
	25	D580107	1	Bracket						
E	26	A516655	227	Hose-Bulk	R	0001~	0001~			
C,E		420105-00384	229	Hose-Bulk						
	28	A156584	1	Tube Ass. ʘy-LH						
	29	S0508863	2	Bolt						
	30	S0508663	2	Bolt						
	31	A156630	1	Bracket						
	32	A156547	2	Sleeve						
	33	D917168	2	Washer						
	34	S0553763	2	Bolt						
	35	130706-00004	2	Sheave						
	36	D582661	2	Spacer						
	37	A216301	2	O-Ring						
	38	A216278	2	Roller						
	39	D917091	14	Washer						
	40	DS2248007	2	Adapter						
	41	D917168	1	Washer						
	42	D480556	1	Clip						



[Lines Gp ATT - FFL - Primary - 3 Way]

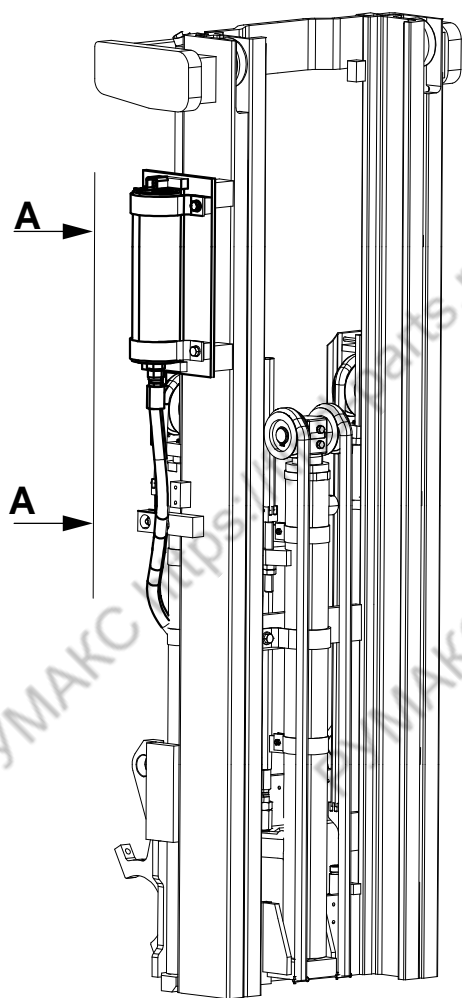
HOSE CUT TO LENGTH TABLE (UNIT : CM)				
MFH(mm)	2700	3000	3300	REMARKS
LENGTH				
PRIMARY HOSE	175.5	190.5	205.5	SINGLE HOSE
SECONDARY HOSE	168.5	178.5	193.5	SINGLE HOSE

D15/18S5 D20SC-5

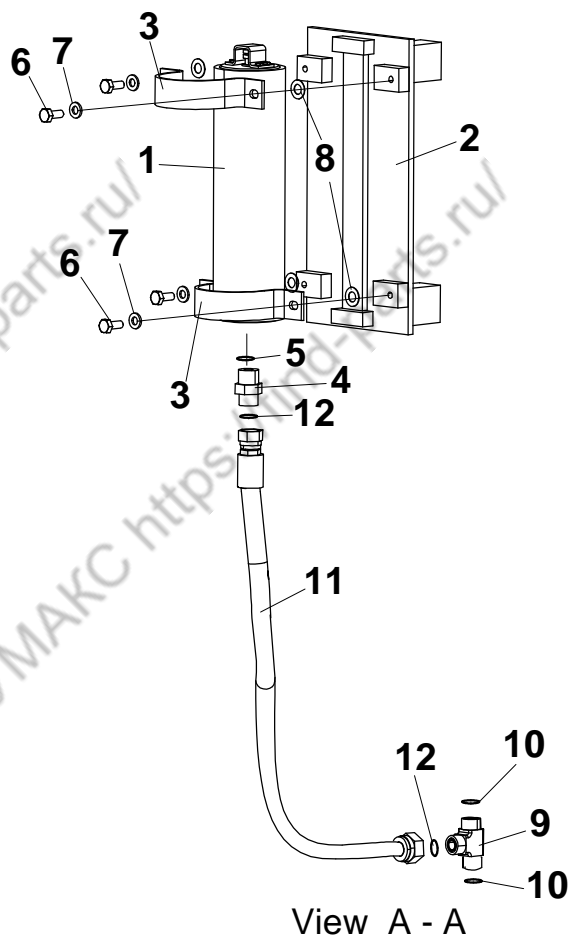
FIG.8-090-0

D583428 Lines Gp - ATT - Primary - FFL - 3 Way

NOTE	ITEM NO.	PART NUMBER	QTY	DESCRIPTION	CHANGE CODE	START SERIAL NO.				
						EM0UT	EM0UU	FDA01	FDA02	FDA03
	1	D917092	8	Washer						
	2	S0556161	2	Bolt						
	3	A216277	1	Block						
	4	D909092	2	Cap						
	5	S8030061	16	O-Ring						
	6	S0509063	6	Bolt						
	7	D583935	1	Bracket Ass. 7/8y-RH						
	8	D580107	1	Bracket						
B	9	A516655	552	Hose-Cm	R	0001~	0001~			
C,B		420105-00384	562	Hose-Cm						
B, DEL	10	D580110		Hose-Twin-Cm(Delete)						
	11	D583806	1	Bracket						
	13	D583934	1	Guide Ass. 7/8y						
	14	D580109	6	Coupling	R	0001~	0001~			
C		430210-00128	6	Coupling						
	16	D580063	6	Nut						
	18	D581082	2	Coupling-45	R	0001~	0001~			
C		430210-00130	2	Coupling-45						
	19	D581118	6	Union						
	20	D580433	1	Tube Ass. 7/8y						
	21	D580434	1	Tube Ass. 7/8y						
	22	S0515563	1	Bolt						
	23	D583448	1	Guide Ass. 7/8y						
	24	D917168	4	Washer-Hard						
	25	S5010313	16	Washer						
	26	S0553863	14	Bolt						
	27	D582661	14	Space						
	28	D582662	4	Sleeve						
	29	D913052	14	Nut-Lock						
	30	A216301	10	O-Ring						
	31	A216278	10	Roller						
	32	D557322	1	Clip						
	33	S0511863	1	Bolt						
	34	D583473	2	Plate						
	35	D917093	1	Washer-Hard						
	36	A186860	1	Clamp						
	37	S0505263	2	Bolt						



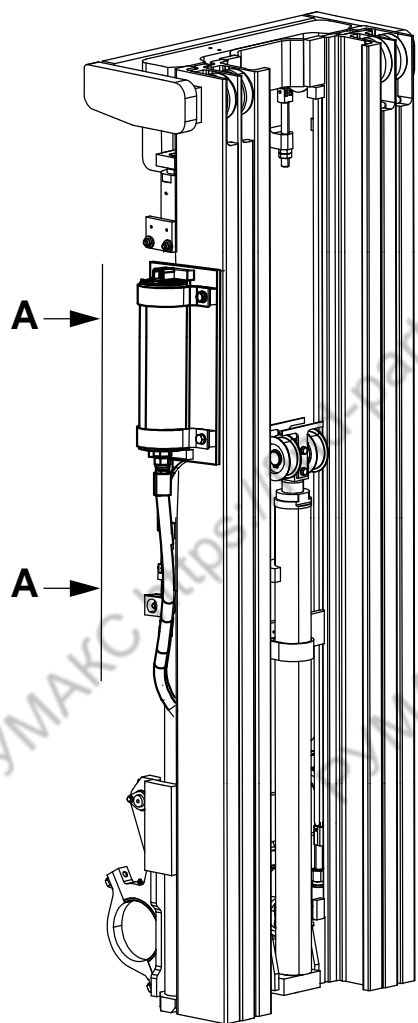
[Accumulator Gp]



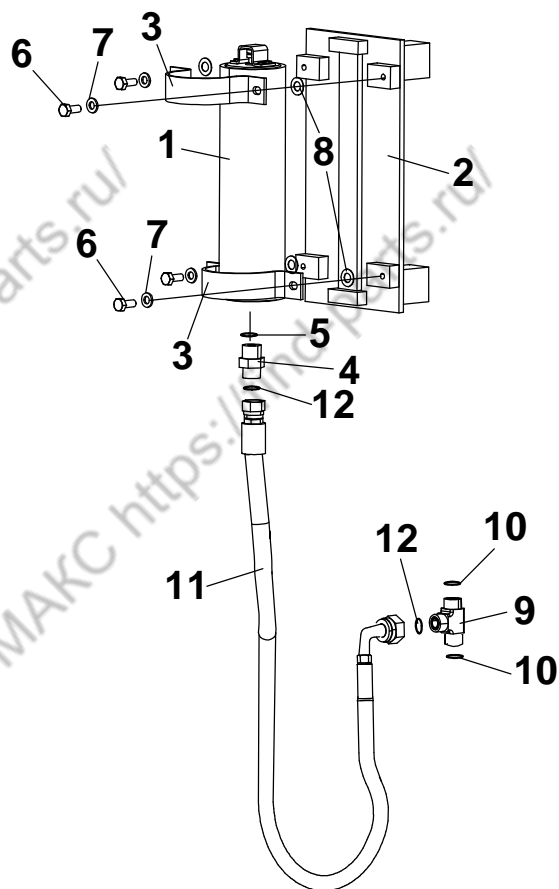
D15/18S5 D20SC-5

FIG.8-090-0-1 400804-00007 Accumulator Gp(Over MFH 2700mm) - FFL Mast Only

NOTE	ITEM NO.	PART NUMBER	QTY	DESCRIPTION	CHANGE CODE	START SERIAL NO.					
						EM0UT	EM0UU	FDA01	FDA02	FDA03	-
	1	D860959	1	Accumulator							
	2	D861490	1	Bracket Ass. ѳy							
	3	D580386	2	Clamp							
	4	D905047	1	Connector							
	5	S8040121	1	O-Ring							
	6	S0512063	4	Bolt							
	7	D917093	4	Washer							
	8	D360139	8	Shim							
	9	D419556	1	Tee							
	10	S8030081	2	O-Ring							
	11	DS2011918	1	Hose Ass. ѳy							
	12	S8030101	1	O-Ring							



[Accumulator Gp]

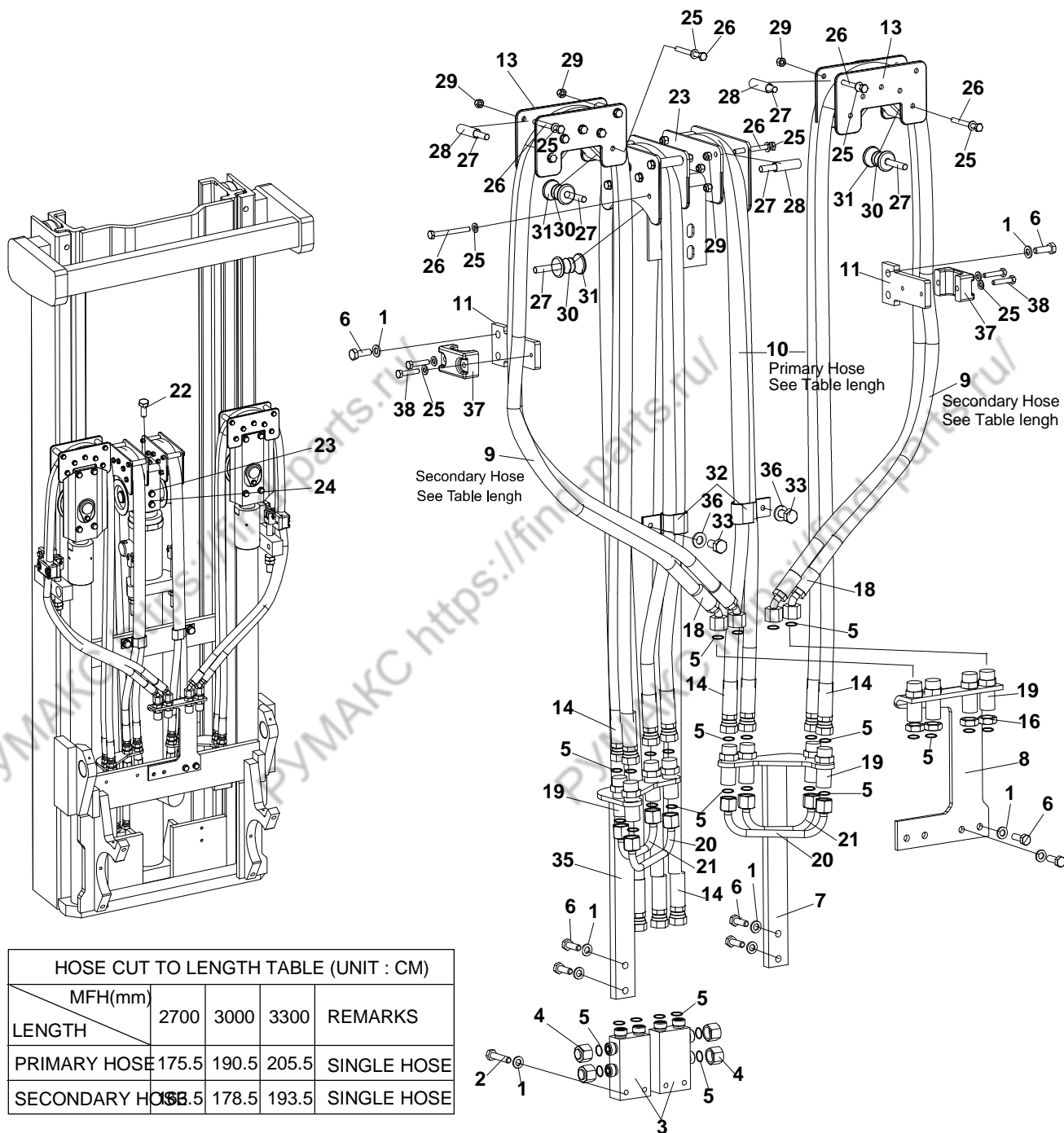


View A - A

D15/18S5 D20SC-5

FIG.8-090-0-2 400804-00008 Accumulator Gp(Only MFH 4000mm) - FFT Mast Only

NOTE	ITEM NO.	PART NUMBER	QTY	DESCRIPTION	CHANGE CODE	START SERIAL NO.					
						EM0UT	EM0UU	FDA01	FDA02	FDA03	-
	1	D860959	1	Accumulator							
	2	110414-00147	1	Bracket Ass. ѳy							
	3	D580386	2	Clamp							
	4	D905047	1	Connector							
	5	S8040121	1	O-Ring							
	6	S0512063	4	Bolt							
	7	D917093	4	Washer							
	8	D360139	8	Shim							
	9	D419556	1	Tee							
	10	S8030081	2	O-Ring							
	11	DS2013425	1	Hose Ass. ѳy							
	12	S8030101	1	O-Ring							

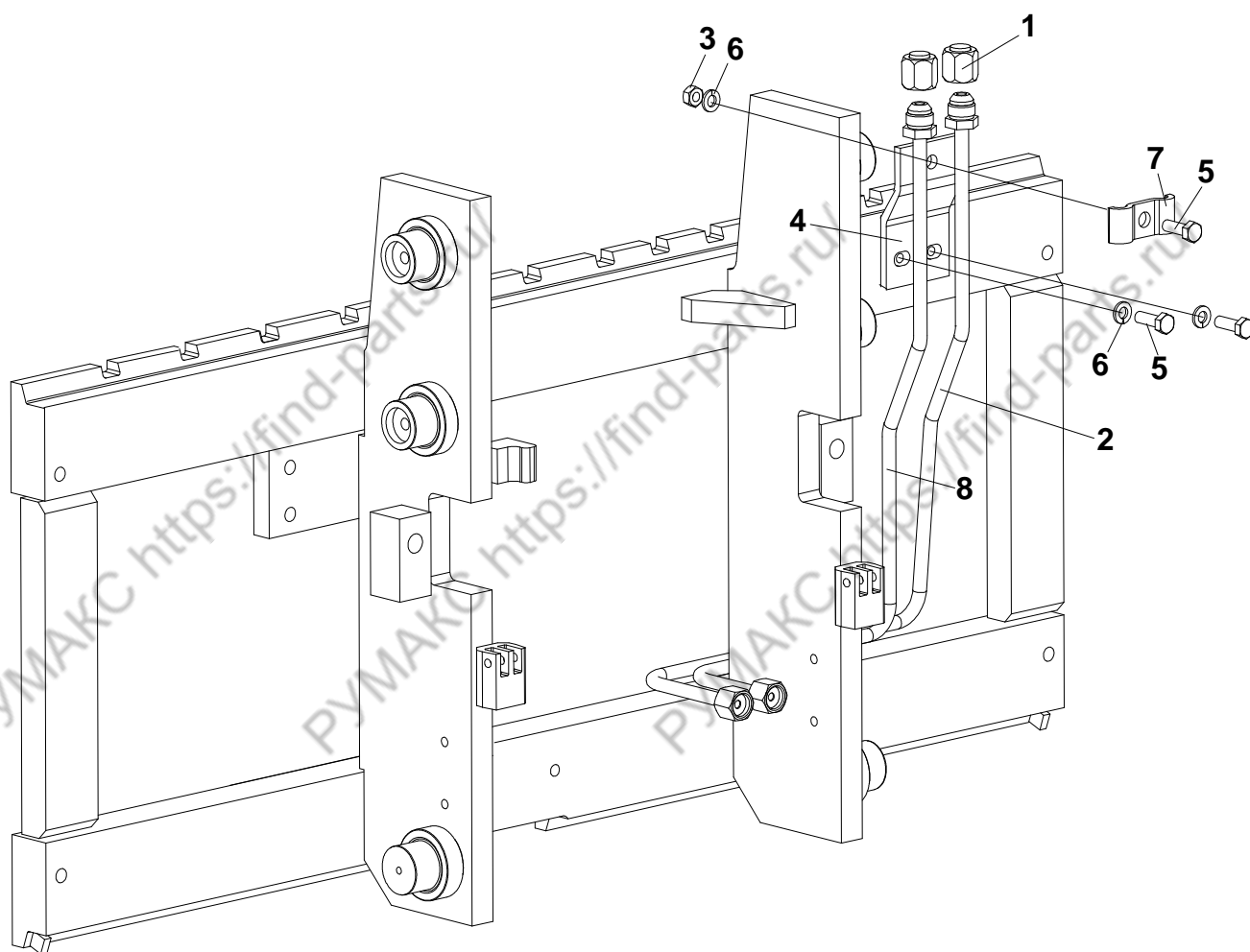


D15/18S5 D20SC-5

FIG.8-100-0

D583429 Lines Gp - ATT - Primary - FFL - 4 Way

NOTE	ITEM NO.	PART NUMBER	QTY	DESCRIPTION	CHANGE CODE	START SERIAL NO.					
						EM0UT	EM0UU	FDA01	FDA02	FDA03	-
	1	D917092	14	Washer							
	2	S0556161	4	Bolt							
	3	A216277	2	Block							
	4	D909092	4	Cap							
	5	S8030061	32	O-Ring							
	6	S0509063	10	Bolt							
	7	D583935	1	Bracket Ass. ½y-RH							
	8	D583807	2	Bracket							
B,E	9	A516655	1104	Hose-Cm	R	0001~	0001~				
C,B,E		420105-00384	1124	Hose-Cm							
B	10	D580110	376	Hose-Twin-Cm(Delete)							
	11	D583806	2	Bracket							
	13	D583934	2	Guide Ass. ½y							
	14	D580109	12	Coupling	R	0001~	0001~				
C		430210-00128	12	Coupling							
	16	D580063	12	Nut							
	18	D581082	4	Coupling-45	R	0001~	0001~				
C		430210-00130	4	Coupling-45							
	19	D581118	12	Union							
	20	D580433	2	Tube Ass. ½y							
	21	D580434	2	Tube Ass. ½y							
	22	S0515563	1	Bolt							
	23	D583474	1	Bracket Ass. ½y							
	24	D917168	4	Washer-Hard							
	25	S5010313	32	Washer							
	26	S0553863	28	Bolt							
	27	D582661	28	Space							
	28	D582662	8	Sleeve							
	29	D913052	28	Nut-Lock							
	30	A216301	20	O-Ring							
	31	A216278	20	Roller							
	32	D557322	2	Clip							
	33	S0511863	2	Bolt							
	35	D583936	1	Bracket Ass. ½y-LH							
	36	D917093	2	Washer-Hard							
	37	A186860	2	Clamp							
	38	S0505263	4	Bolt							

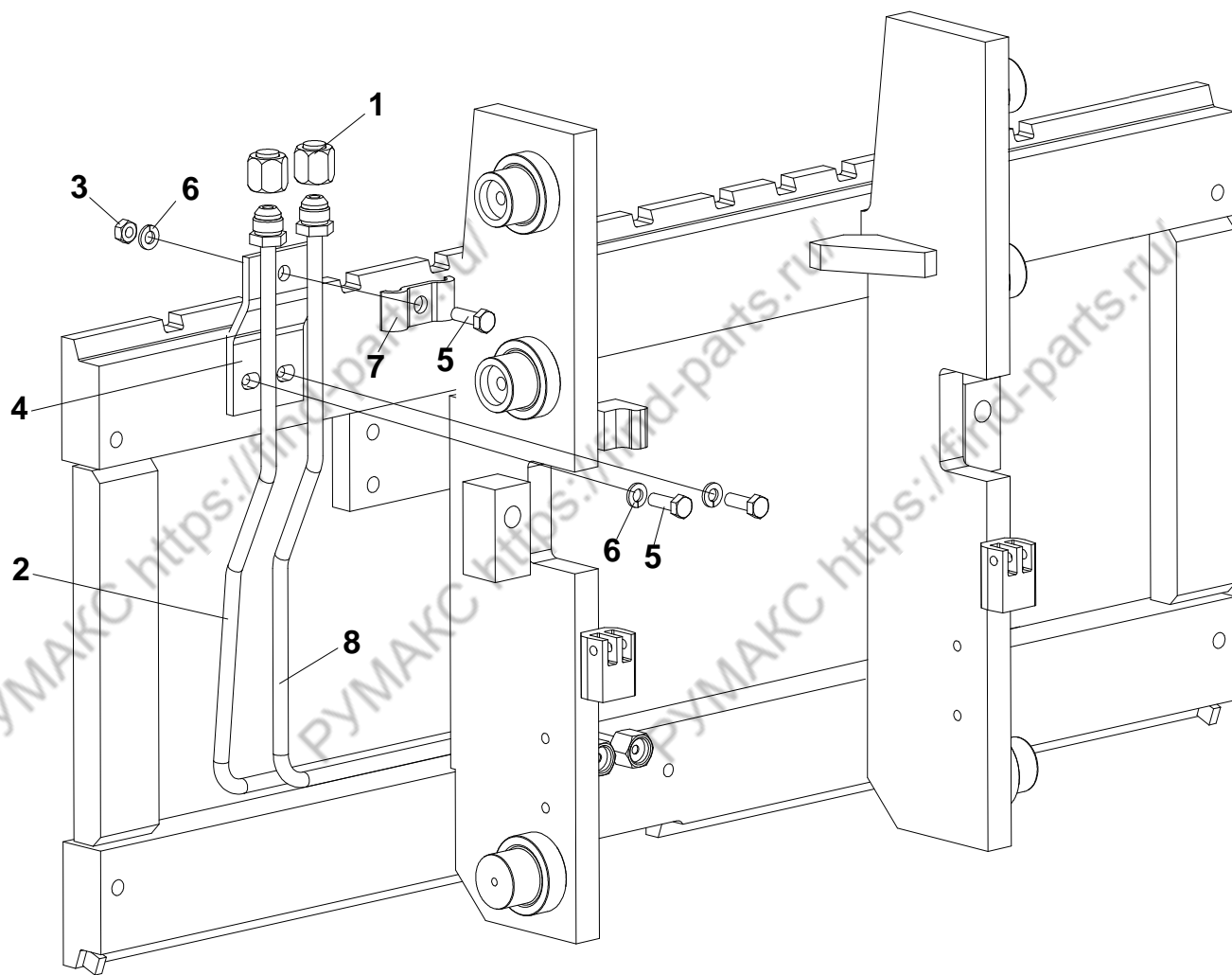


D15/18S5 D20SC-5

FIG.8-110-0

D583432 Lines Gp - ATT - Secondary - STD - 3 Way - RH

NOTE	ITEM NO.	PART NUMBER	QTY	DESCRIPTION	CHANGE CODE	START SERIAL NO.				
						EM0UT	EM0UU	FDA01	FDA02	FDA03
	1	D580129	2	Cap						
	2	D583406	1	Tube Ass. ½y-RH						
	3	S4006543	1	Nut						
	4	D580127	1	Bracket						
	5	S0509063	3	Bolt						
	6	S5102503	3	Washer-Spring						
	7	D580128	1	Clamp						
	8	D583407	1	Tube Ass. ½y-RH						

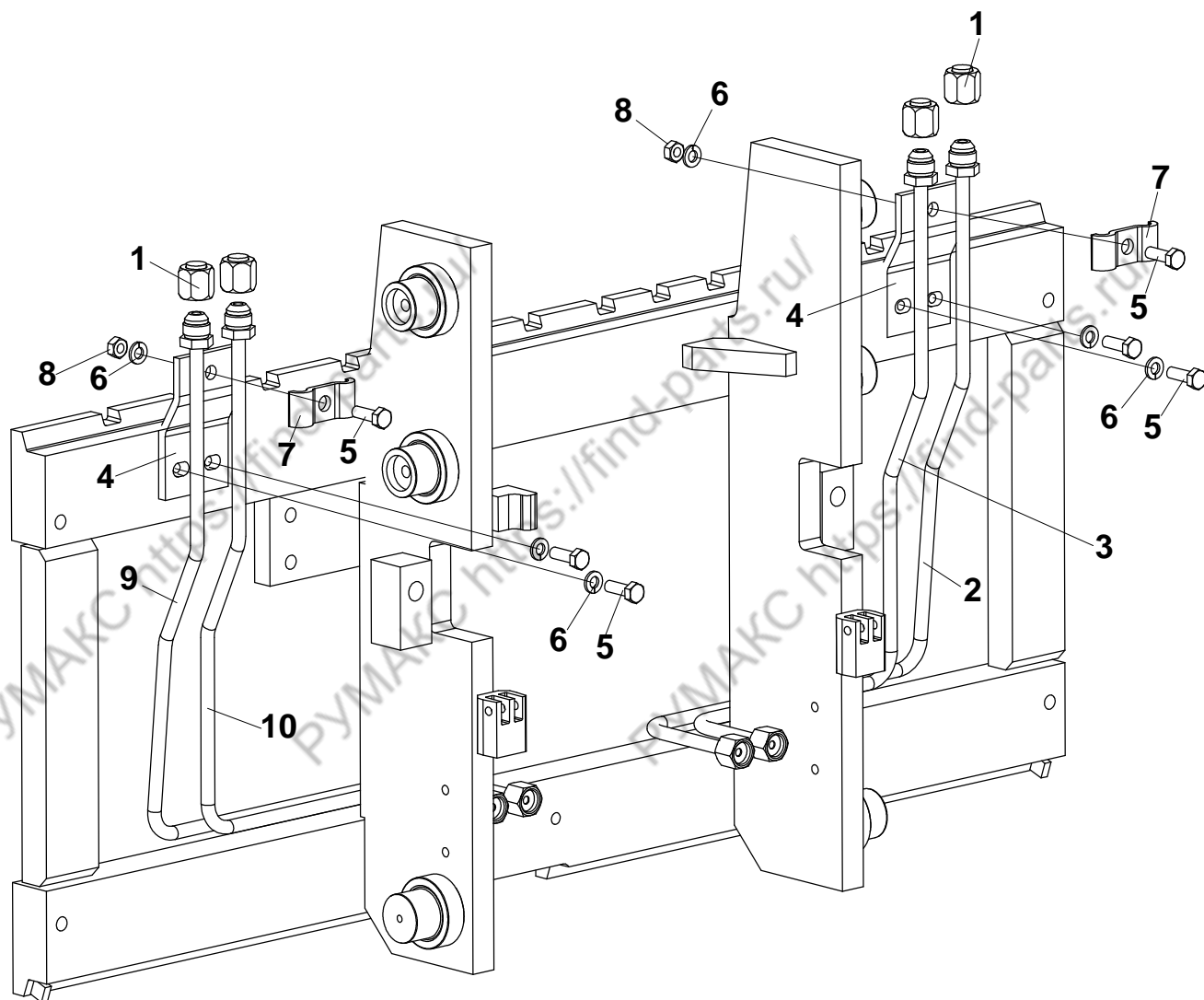


D15/18S5 D20SC-5

FIG.8-120-0

D583433 Lines Gp - ATT - Secondary - STD - 3 Way - LH

NOTE	ITEM NO.	PART NUMBER	QTY	DESCRIPTION	CHANGE CODE	START SERIAL NO.				
						EM0UT	EM0UU	FDA01	FDA02	FDA03
	1	D580129	2	Cap						
	2	D583408	1	Tube Ass. ½y-RH						
	3	S4006543	1	Nut						
	4	D580127	1	Bracket						
	5	S0509063	3	Bolt						
	6	S5102503	3	Washer-Spring						
	7	D580128	1	Clamp						
	8	D583409	1	Tube Ass. ½y-RH						

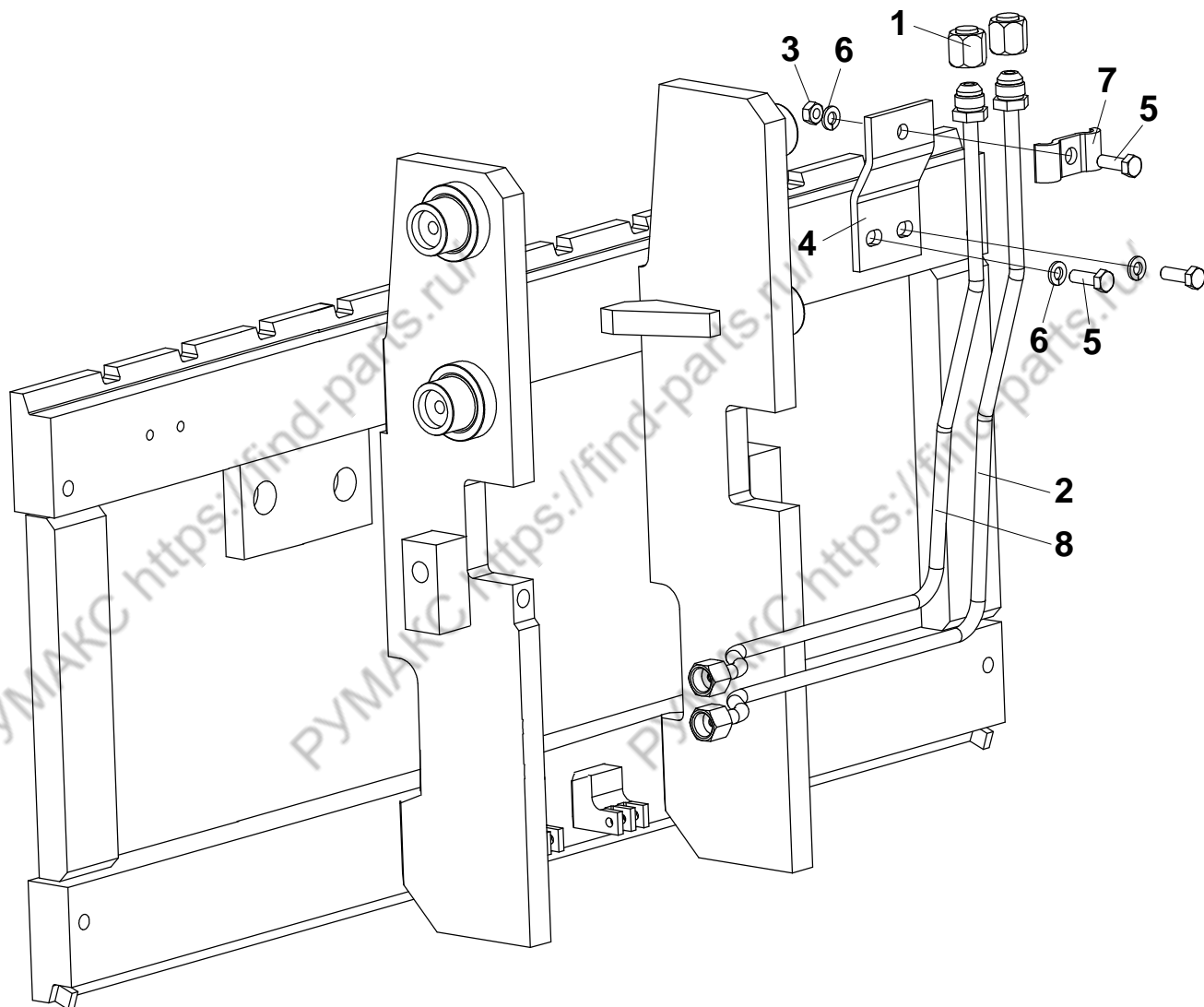


D15/18S5 D20SC-5

FIG.8-130-0

D583434 Lines Gp - ATT - Secondary - STD - 4 Way

NOTE	ITEM NO.	PART NUMBER	QTY	DESCRIPTION	CHANGE CODE	START SERIAL NO.					
						EMOUT	EMOUU	FDA01	FDA02	FDA03	-
	1	D580129	4	Cap							
	2	D583406	1	Tube Ass. 7/8-RH							
	3	D583407	1	Tube Ass. 7/8-RH							
	4	D580127	2	Bracket							
	5	S0509063	6	Bolt							
	6	S5102503	6	Washer							
	7	D580128	2	Clamp							
	8	S4006543	2	Nut							
	9	D583408	1	Tube Ass. 7/8-RH							
	10	D583409	1	Tube Ass. 7/8-RH							



D15/18S5 D20SC-5

FIG.8-140-0

A156573 Lines Gp - ATT - Secondary - FFT - 3 Way - RH

NOTE	ITEM NO.	PART NUMBER	QTY	DESCRIPTION	CHANGE CODE	START SERIAL NO.					
						EMOUT	EMOUU	FDA01	FDA02	FDA03	-
	1	D580129	2	Cap							
	2	A156526	1	Tube Ass. ʘy-RH							
	3	S4006543	1	Nut							
	4	D580127	1	Bracket							
	5	S0509063	3	Bolt							
	6	S5102503	3	Washer							
	7	D580128	1	Clamp							
	8	A156527	1	Tube Ass. ʘy-RH							

PYMAKC <https://find-parts.ru/>

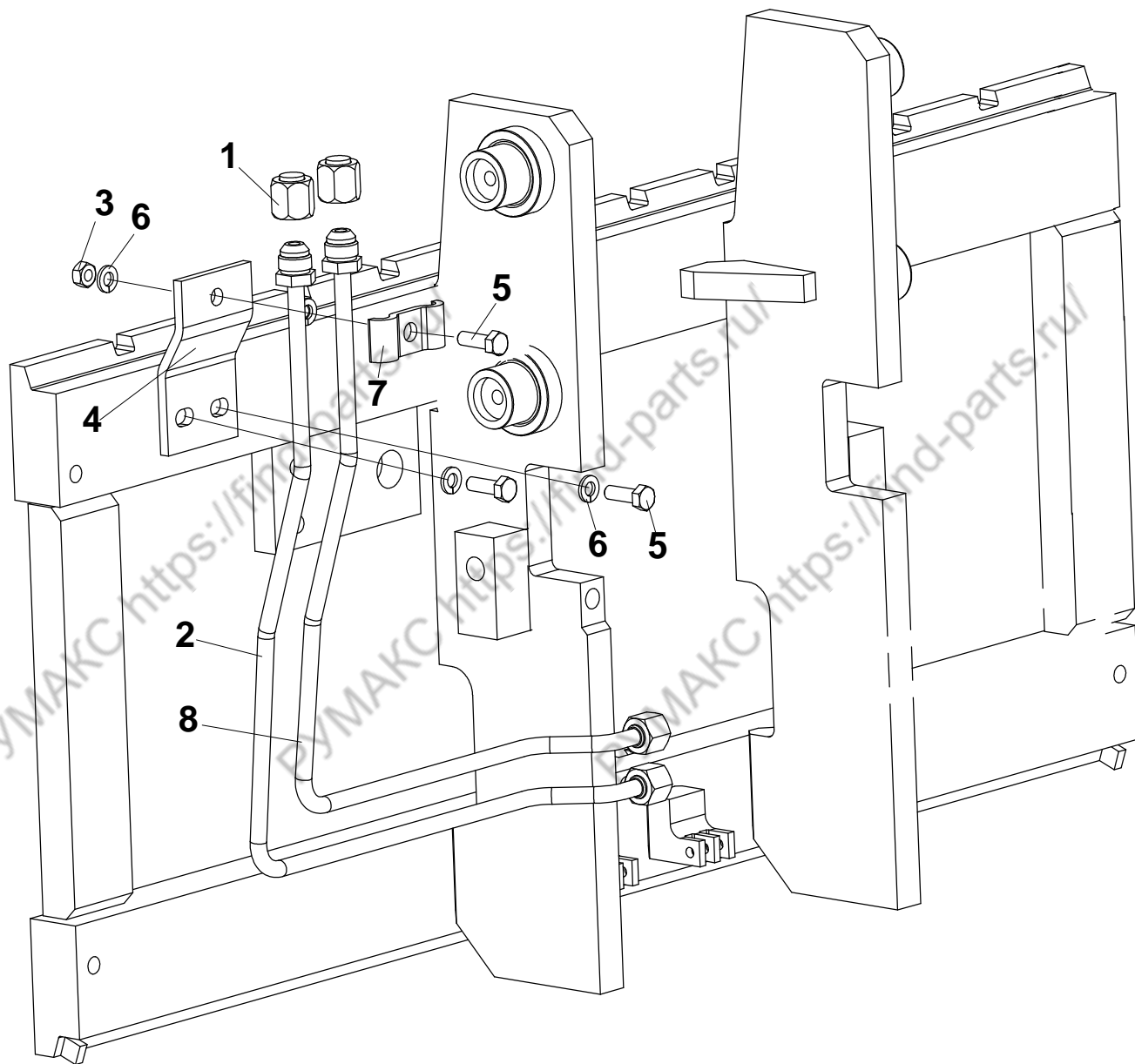
PYMAKC <https://find-parts.ru/>

PYMAKC <https://find-parts.ru/>

<https://find-parts.ru/>

<https://find-parts.ru/>

<https://find-parts.ru/>



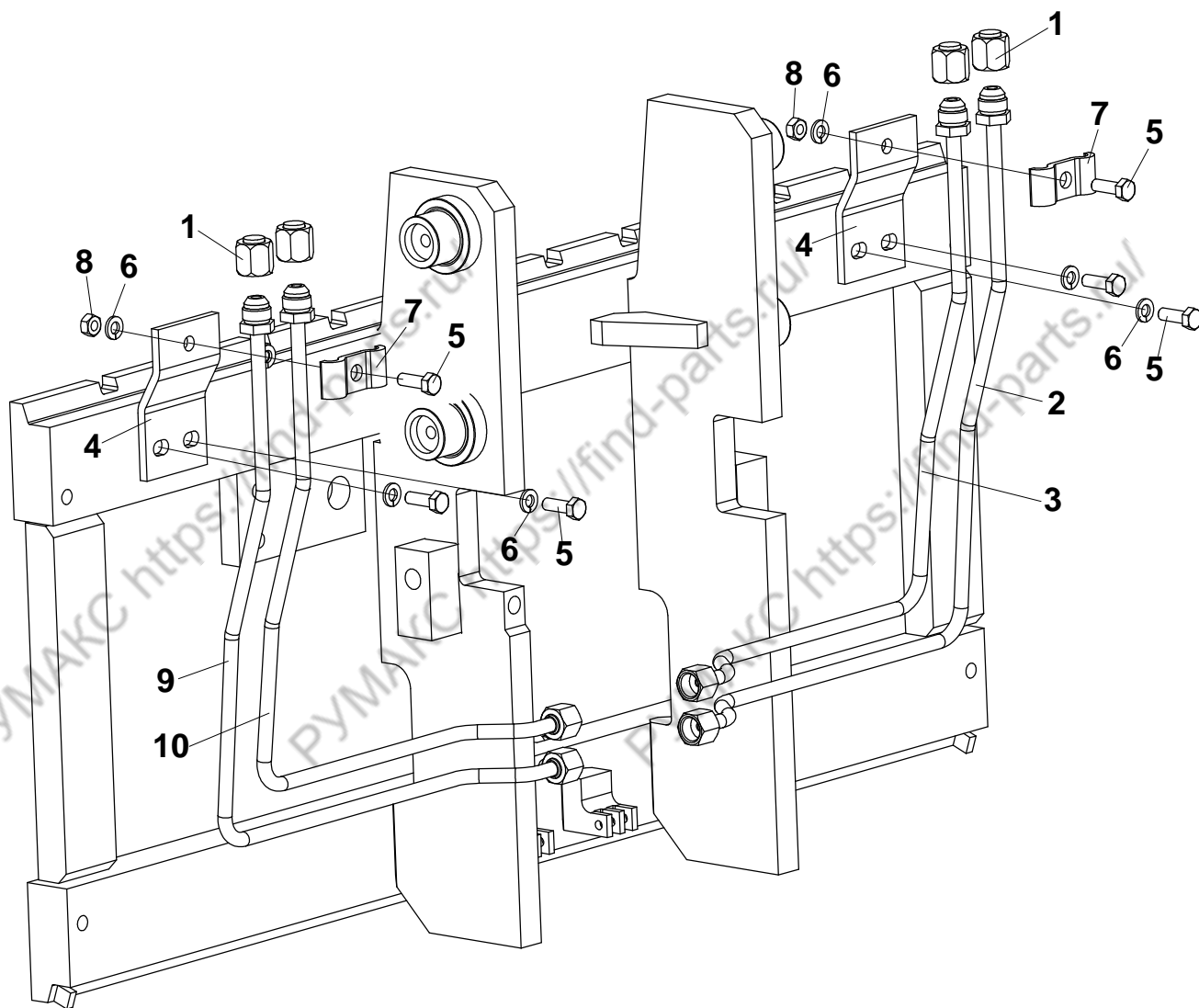
D15/18S5 D20SC-5

FIG.8-150-0

A156574 Lines Gp - ATT - Secondary - FFT - 3 Way - LH

NOTE	ITEM NO.	PART NUMBER	QTY	DESCRIPTION	CHANGE CODE	START SERIAL NO.					
						EM0UT	EM0UU	FDA01	FDA02	FDA03	-
	1	D580129	2	Cap							
	2	A156528	1	Tube Ass. 7y-LH							
	3	S4006543	1	Nut							
	4	D580127	1	Bracket							
	5	S0509063	3	Bolt							
	6	S5102503	3	Washer							
	7	D580128	1	Clamp							
	8	A156529	1	Tube Ass. 7y-LH							

<https://find-parts.ru/>
<https://find-parts.ru/>
<https://find-parts.ru/>
<https://find-parts.ru/>
<https://find-parts.ru/>

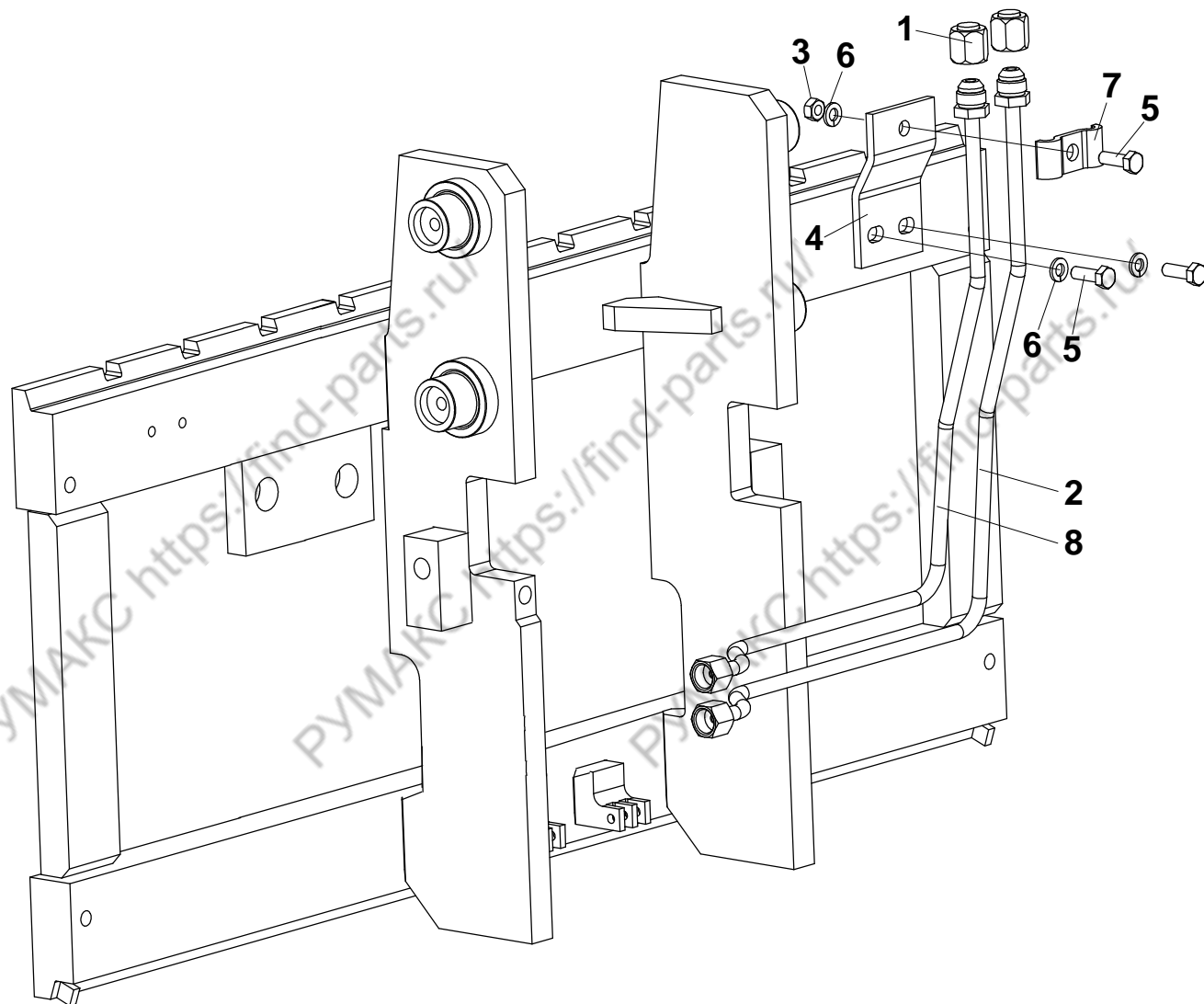


D15/18S5 D20SC-5

FIG.8-160-0

A156575 Lines Gp - ATT - Secondary - FFT - 4 Way

NOTE	ITEM NO.	PART NUMBER	QTY	DESCRIPTION	CHANGE CODE	START SERIAL NO.					
						EMOUT	EMOUU	FDA01	FDA02	FDA03	-
	1	D580129	4	Cap							
	2	A156526	1	Tube Ass. 7/8-RH							
	3	A156527	1	Tube Ass. 7/8-RH							
	4	D580127	2	Bracket							
	5	S0509063	6	Bolt							
	6	S5102503	6	Washer							
	7	D580128	2	Clamp							
	8	S4006543	2	Nut							
	9	A156528	1	Tube Ass. 7/8-LH							
	10	A156529	1	Tube Ass. 7/8-LH							

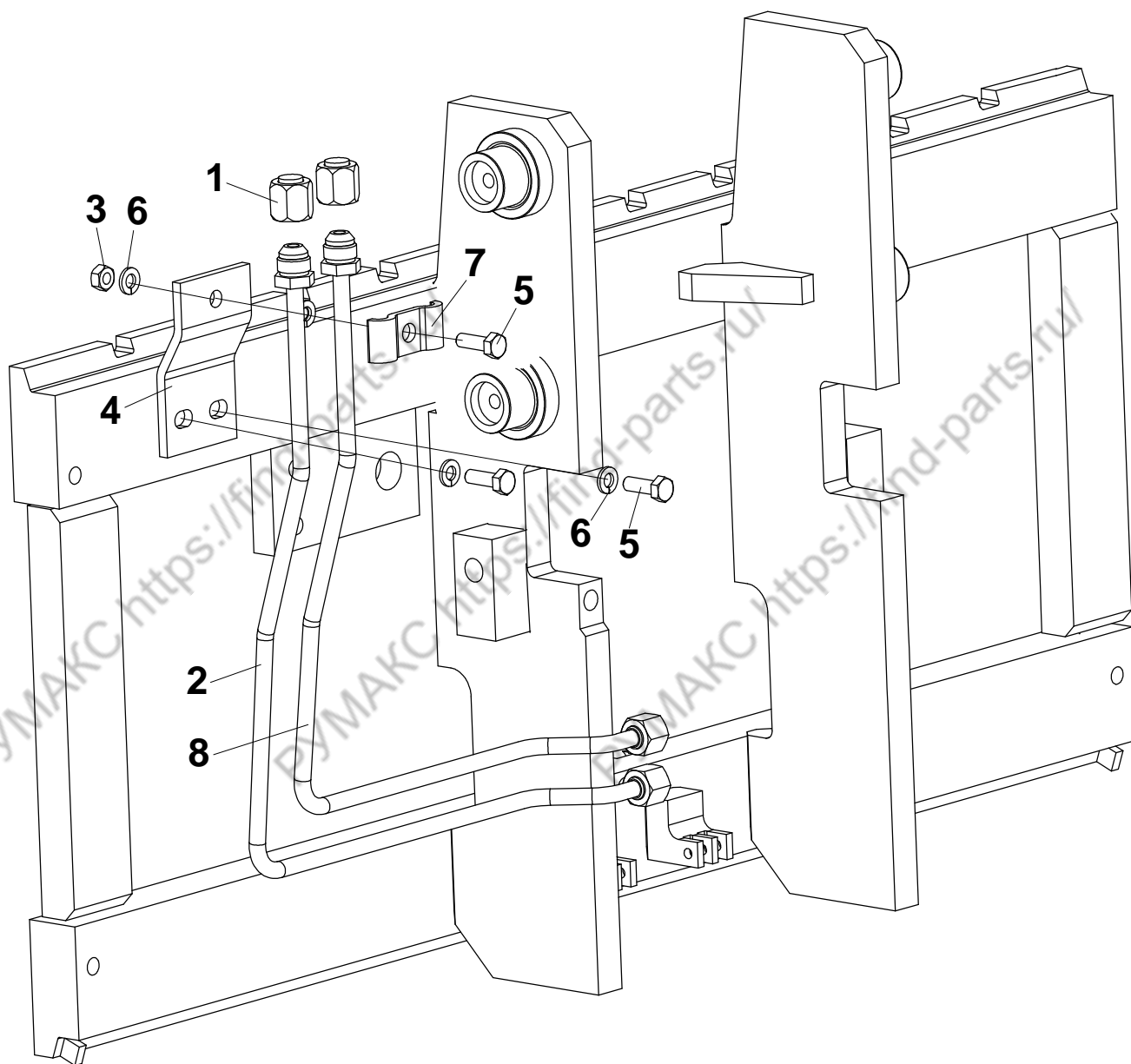


D15/18S5 D20SC-5

FIG.8-170-0

D583435 Lines Gp - ATT - Secondary - FFL - 3 Way - RH

NOTE	ITEM NO.	PART NUMBER	QTY	DESCRIPTION	CHANGE CODE	START SERIAL NO.				
						EMOUT	EMOUU	FDA01	FDA02	FDA03
	1	D580129	2	Cap						
	2	D583457	1	Tube Ass. 7y-RH						
	3	S4006543	1	Nut						
	4	D580127	1	Bracket						
	5	S0509063	3	Bolt						
	6	S5102503	3	Washer						
	7	D580128	1	Clamp						
	8	D583458	1	Tube Ass. 7y-RH						



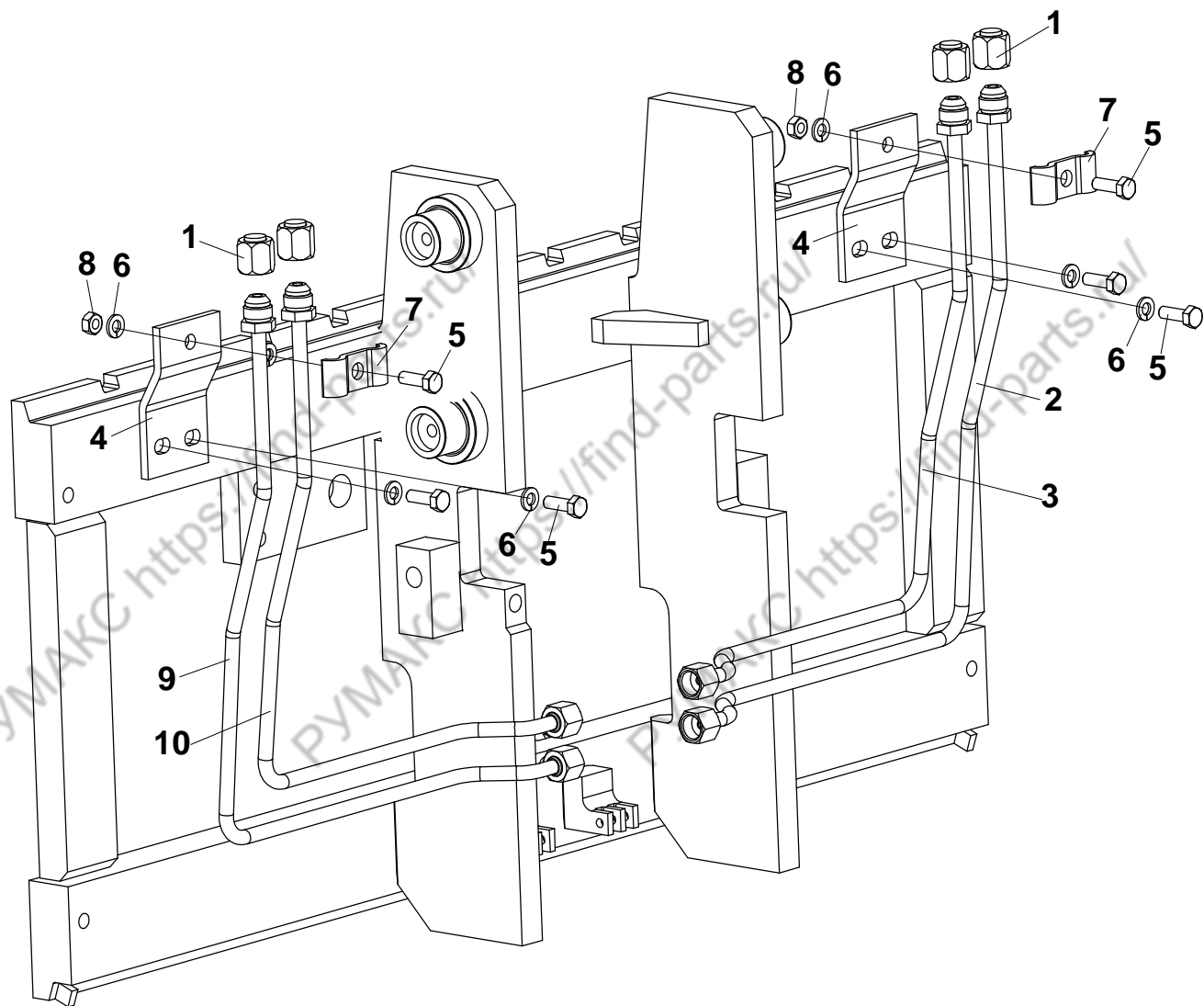
D15/18S5 D20SC-5

FIG.8-180-0

D583436 Lines Gp - ATT - Secondary - FFL - 3 Way - LH

NOTE	ITEM NO.	PART NUMBER	QTY	DESCRIPTION	CHANGE CODE	START SERIAL NO.					
						EM0UT	EM0UU	FDA01	FDA02	FDA03	-
	1	D580129	2	Cap							
	2	D583459	1	Tube Ass. 7y-LH							
	3	S4006543	1	Nut							
	4	D580127	1	Bracket							
	5	S0509063	3	Bolt							
	6	S5102503	3	Washer							
	7	D580128	1	Clamp							
	8	D583460	1	Tube Ass. 7y-LH							

<https://find-parts.ru/>
<https://find-parts.ru/>
<https://find-parts.ru/>

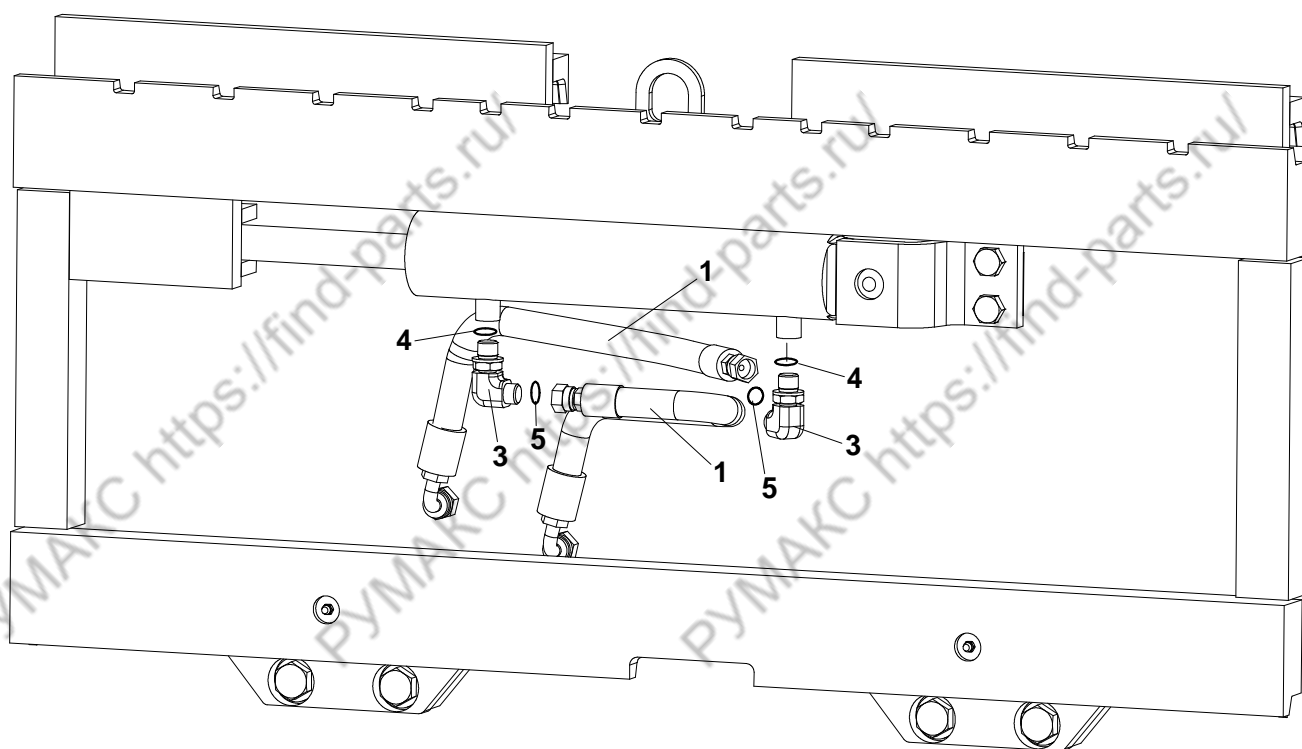


D15/18S5 D20SC-5

FIG.8-190-0

D583437 Lines Gp - ATT - Secondary - FFL - 4 Way

NOTE	ITEM NO.	PART NUMBER	QTY	DESCRIPTION	CHANGE CODE	START SERIAL NO.					
						EM0UT	EM0UU	FDA01	FDA02	FDA03	-
	1	D580129	4	Cap							
	2	D583457	1	Tube Ass. 7/8-RH							
	3	D583458	1	Tube Ass. 7/8-RH							
	4	D580127	2	Bracket							
	5	S0509063	6	Bolt							
	6	S5102503	6	Washer							
	7	D580128	2	Clamp							
	8	S4006543	2	Nut							
	9	D583459	1	Tube Ass. 7/8-LH							
	10	D583460	1	Tube Ass. 7/8-LH							

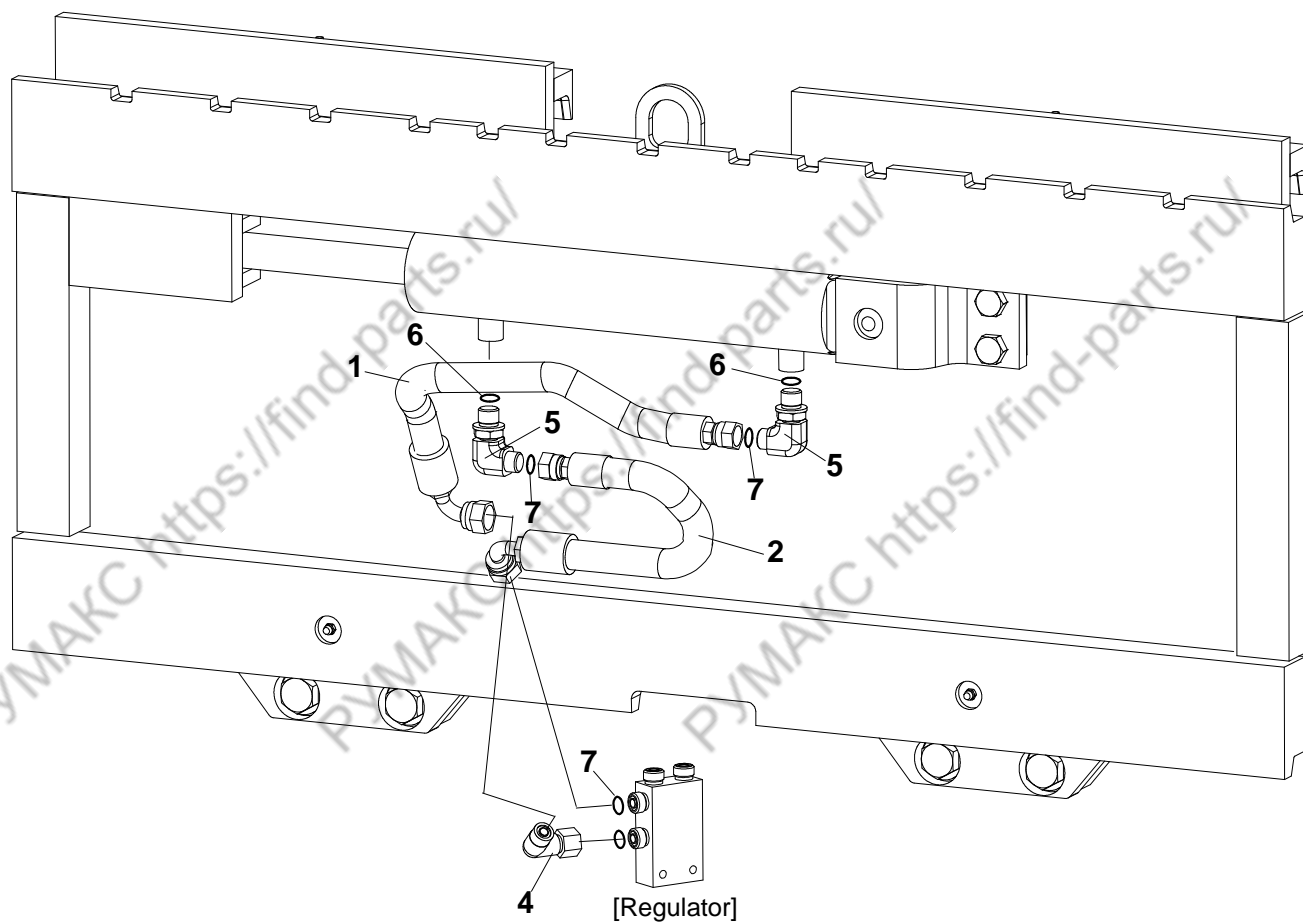


D15/18S5 D20SC-5

FIG.8-200-0

D584018 Lines Gp - ATT - Sideshift - STD

NOTE	ITEM NO.	PART NUMBER	QTY	DESCRIPTION	CHANGE CODE	START SERIAL NO.					
						EM0UT	EM0UU	FDA01	FDA02	FDA03	-
	1	A216458	2	Hose Ass. ʘy							
	3	D902004	2	Elbow							
	4	S8040061	2	O-Ring							
	5	S8030041	2	O-Ring							

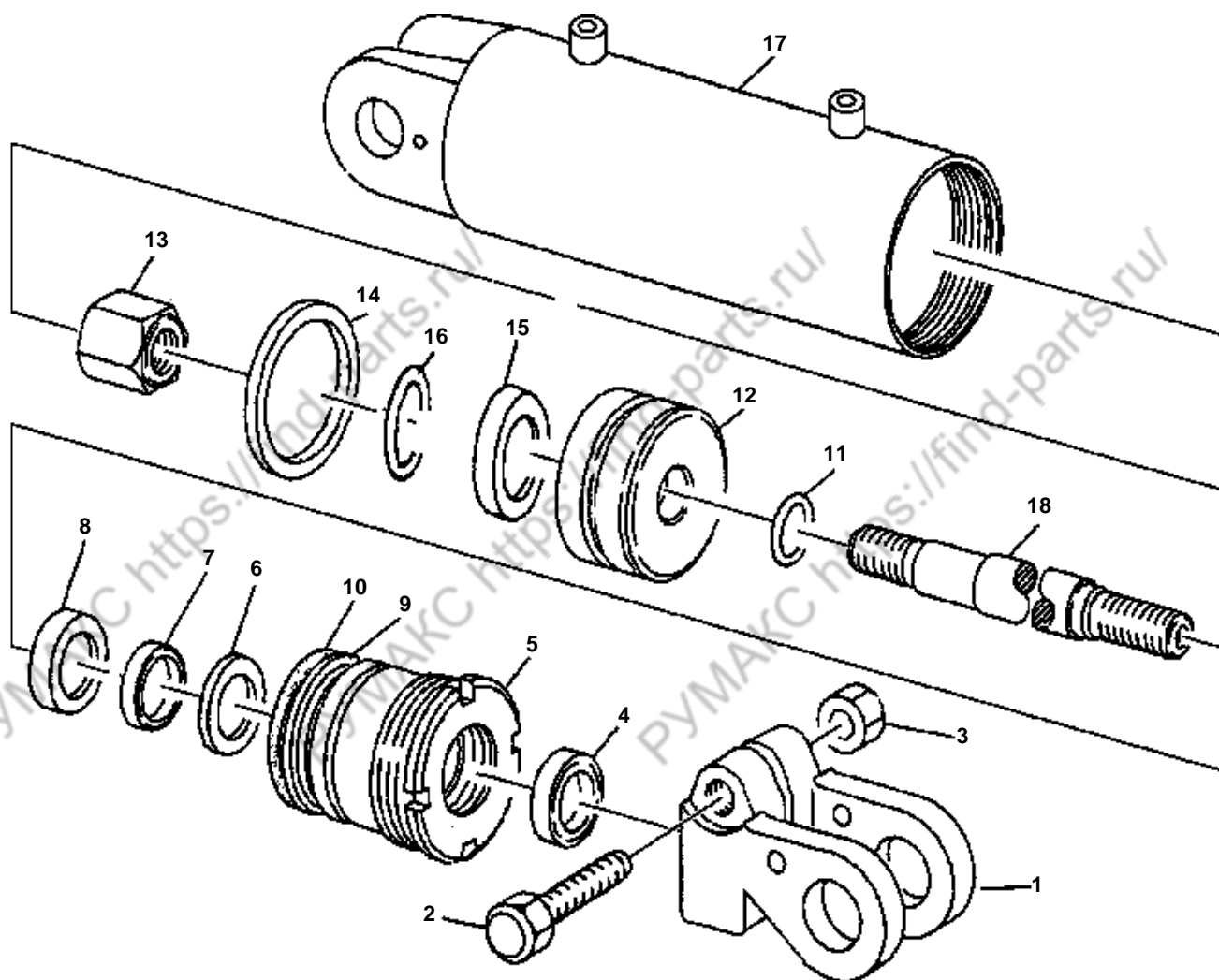


D15/18S5 D20SC-5

FIG.8-210-0

D584019 Lines Gp - ATT - Sideshift - FFL & FFT

NOTE	ITEM NO.	PART NUMBER	QTY	DESCRIPTION	CHANGE CODE	START SERIAL NO.					
						EM0UT	EM0UU	FDA01	FDA02	FDA03	-
	1	A216458	1	Hose Ass. ʘy							
	2	D584017	1	Hose Ass. ʘy							
	4	D580113	1	Elbow							
	5	D902004	2	Elbow							
	6	S8040061	2	O-Ring							
	7	S8030041	3	O-Ring							

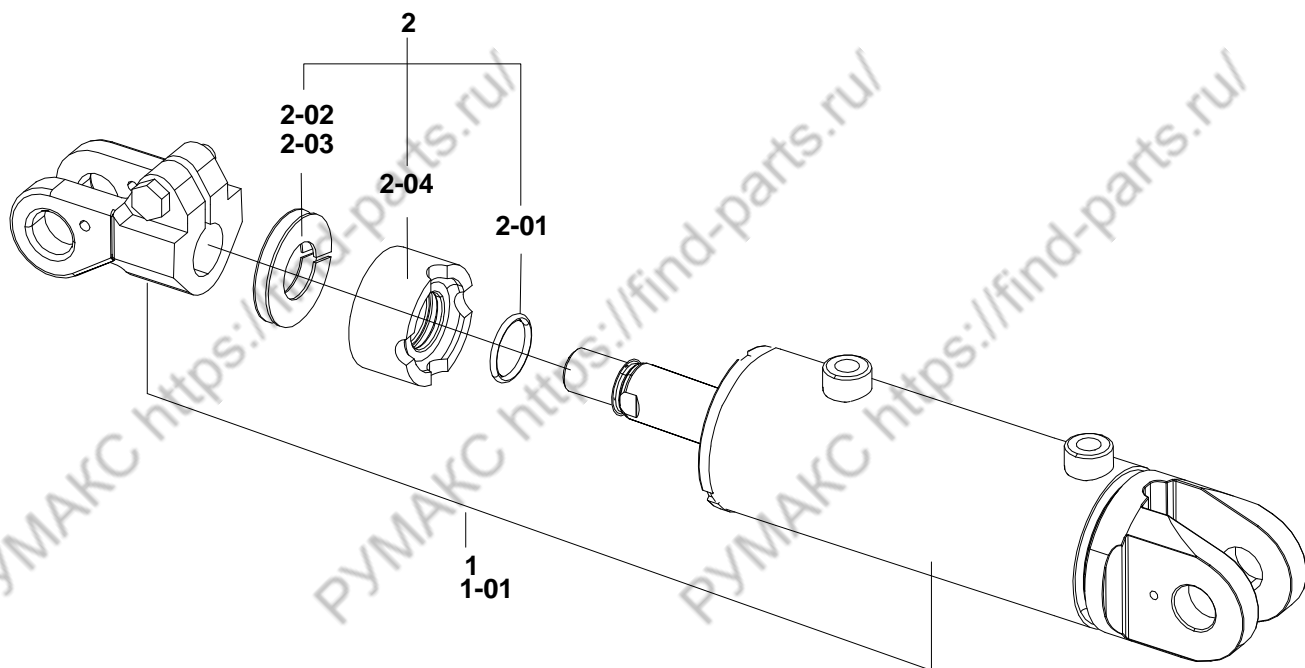


D15/18S5 D20SC-5

FIG.8-220-0

D518276 Tilt Cylinder Gp

NOTE	ITEM NO.	PART NUMBER	QTY	DESCRIPTION	CHANGE CODE	START SERIAL NO.				
						EM0UT	EM0UU	FDA01	FDA02	FDA03
	1	D501247	1	Eye-Tilt Cylinder						
	2	D910210	1	Bolt						
	3	D913010	1	Nut-Lock						
J	4	D501244	1	Seal-Wiper						
	5	150113-00012	1	Rod Cover						
J	6	D501243	1	Ring-Back Up						
J	7	D510022	1	Seal-U-Cup						
	8	D501241	1	Du-Bush						
J	9	D510011	1	Ring-Back Up						
J	10	D510010	1	Seal-O-Ring						
J	11	D501237	1	Seal-O-Ring						
	12	D511445	1	Piston						
	13	120307-00038	1	Nut-Self Locking						
J	14	D510013	1	Seal-Slipper						
	15	D512974	1	Spacer						
J	16	D512975	1	O-Ring						
	17	420402-00014	1	Tube Ass. ʘy						
	18	400307-00029	1	Rod Ass. ʘy(8. ʘ-10. ʘ)						
		400307-00030	1	Rod Ass. ʘy(6. ʘ-10. ʘ,5. ʘ-10. ʘ)						
		400307-00031	1	Rod Ass. ʘy(10. ʘ-10. ʘ)						
		400307-00032	1	Rod Ass. ʘy(7. ʘ-10. ʘ)						
				The Following Repair Kit Is Available;						
		D511447	1	Kit Seal (Includes Parts Marked J)						

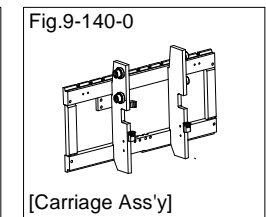
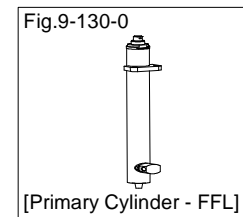
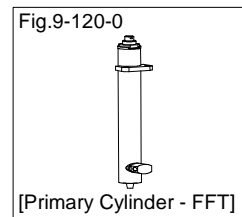
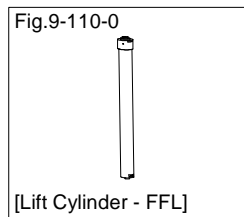
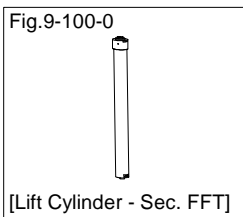
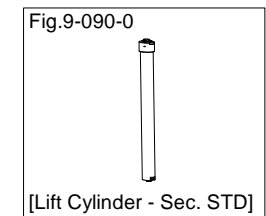
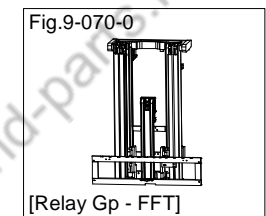
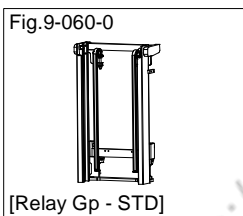
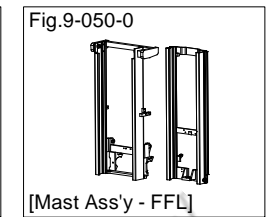
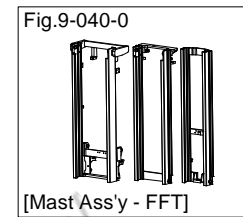
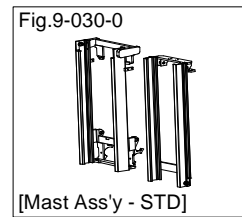
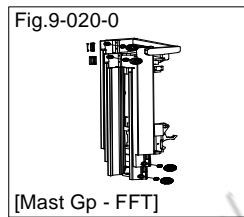
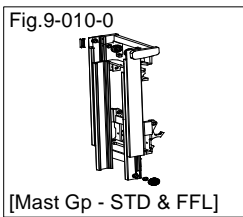


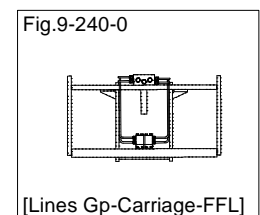
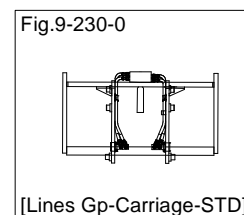
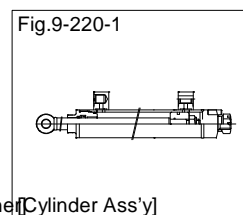
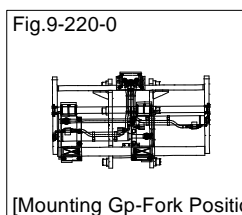
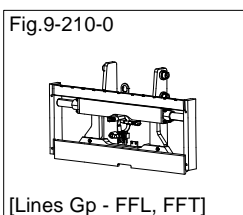
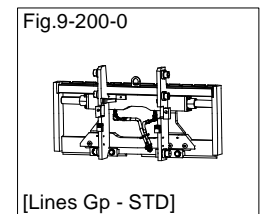
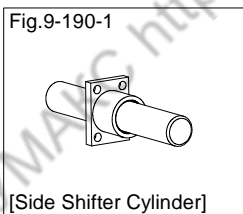
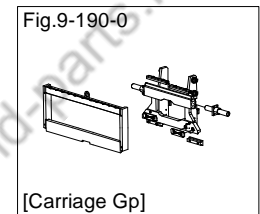
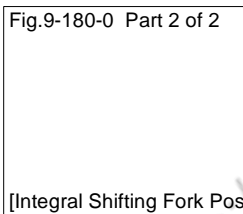
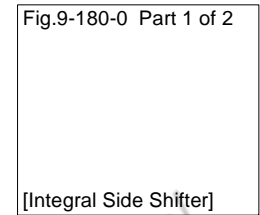
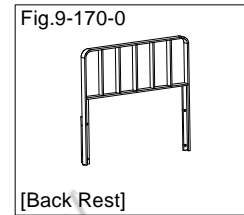
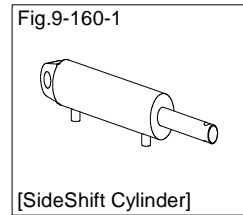
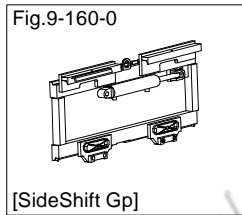
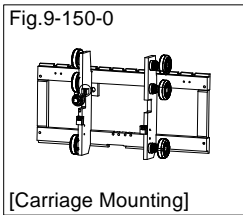
D15/18S5 D20SC-5

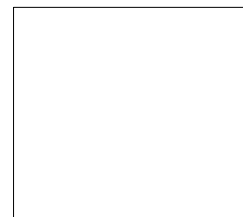
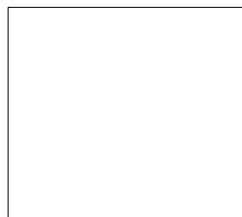
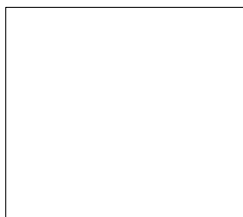
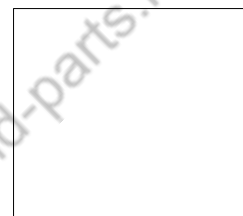
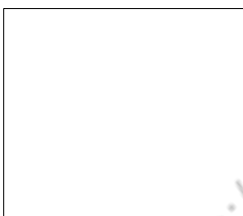
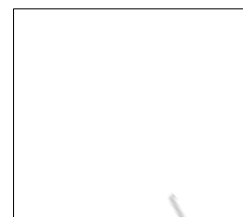
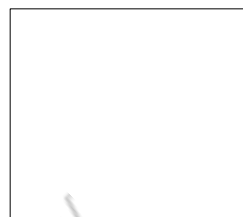
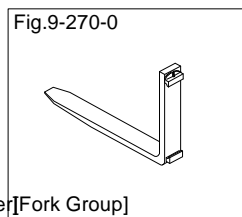
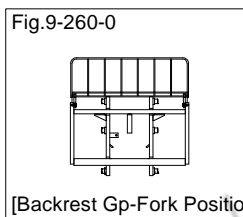
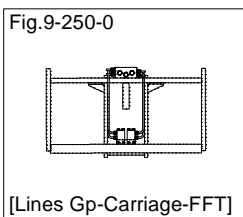
FIG.8-220-1

Tilt Gp - 2 Required - Option

NOTE	ITEM NO.	PART NUMBER	QTY	DESCRIPTION	CHANGE CODE	START :		
						EMOUT	EMOUU	FC
		400334-00009		6 Degree Forward x 8 Degree Backward(STD,FFL,FFT) (FFT MFH4000,4500mm-1.5~2.0Ton) (FFT MFH4750mm-1.51.8 Ton)				
	1	D518277	1	Cylinder Gp-Tilt				
	1-01	D518276	1	Tilt Cylinder Ass. y-Basic				
	2	A252086	1	Limit Gp-Tilt				
	2-01	S8000301	1	Seal-O-Ring				
	2-02	D510853	1	Shin				
	2-03	D510854	1	Shin				
	2-04	A252098	1	Spacer				
		400334-00010	6	6 Degree Forward x 5 Degree Backward(FFT) (FFT MFH4750mm-2.0Ton) (FFT MFH5000,5500,6000mm-1.5~2.0Ton)				
	1	D518277	1	Cylinder Gp-Tilt				
	1-01	D518276	1	Tilt Cylinder Ass. y-Basic				
	2	A252087	1	Limit Gp-Tilt				
	2-01	S8000301	1	Seal-O-Ring				
	2-02	D510853	1	Shin				
	2-03	D510854	1	Shin				
	2-04	A252099	1	Spacer				





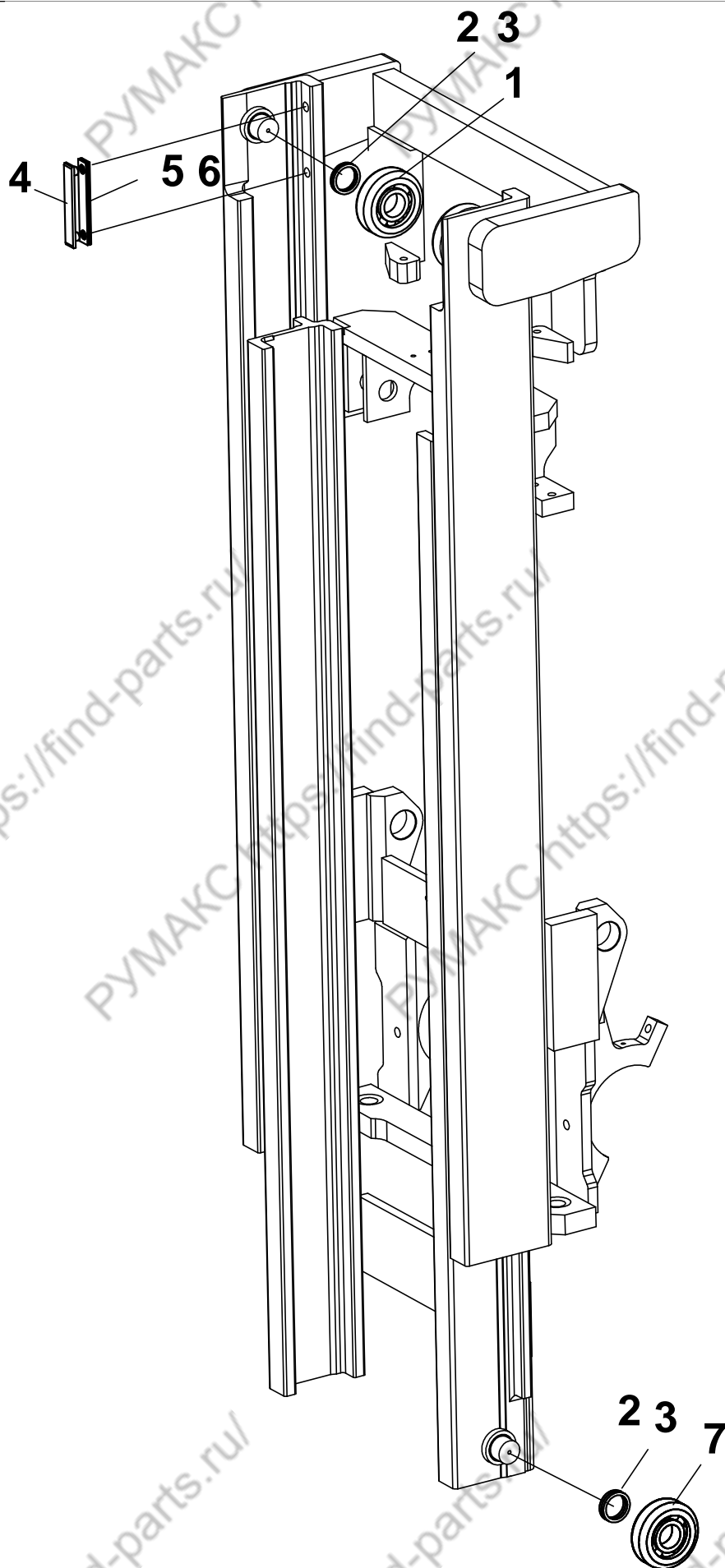


D15/18S5 D20SC-5

9) "MAST-IMPLEMENTS"

GROUP Number	GROUP Name
--------------	------------

D583572	Mast Gp - Basic - STD, FFL
D583573	Mast Gp - Basic - FFT
	Mast Ass. ʘy - STD
	Mast Ass. ʘy - FFT
	Mast Ass. ʘy - FFL
D583413	Relay Gp - Lift - STD
A156560	Relay Gp - Lift - FFT
D583414	Relay Gp - Lift - FFL
D512374	Lift Gp - Secondary Cylinder - STD
D512394	Lift Gp - Secondary Cylinder - FFT
D512388	Lift Gp - Secondary Cylinder - FFL
400321-00037	Lift Gp - Primary Cylinder - FFT
D501865	Lift Gp - Primary Cylinder - FFL
	Carriage Gp - STD, FFT, FFL
A276118	Mounting Gp - Carriage
A256015	Side Shifter Gp
D144202	Cylinder Ass. ʘy - Side Shifter
	Load Backrest
	Integral Side Shifter Part 1 of 2
	Integral Shifting - Fork Positioner Part 2 of 2
D872910	Carriage Gp - STD
D872917	Carriage Gp - FFL
D872919	Carriage Gp - FFT
D870191	Side Shifter Cylinder
D872945	Lines Gp - STD
D872946	Lines Gp - FFL, FFT
D871056	Mounting Gp - Fork Positioner
D870775	Cylinder Ass. ʘy
D871216	Lines Gp - Carriage - STD
D871712	Lines Gp - Carriage - FFL
D871641	Lines Gp - Carriage - FFT
D800875	Backrest Gp - Fork Positioner
	Fork Group

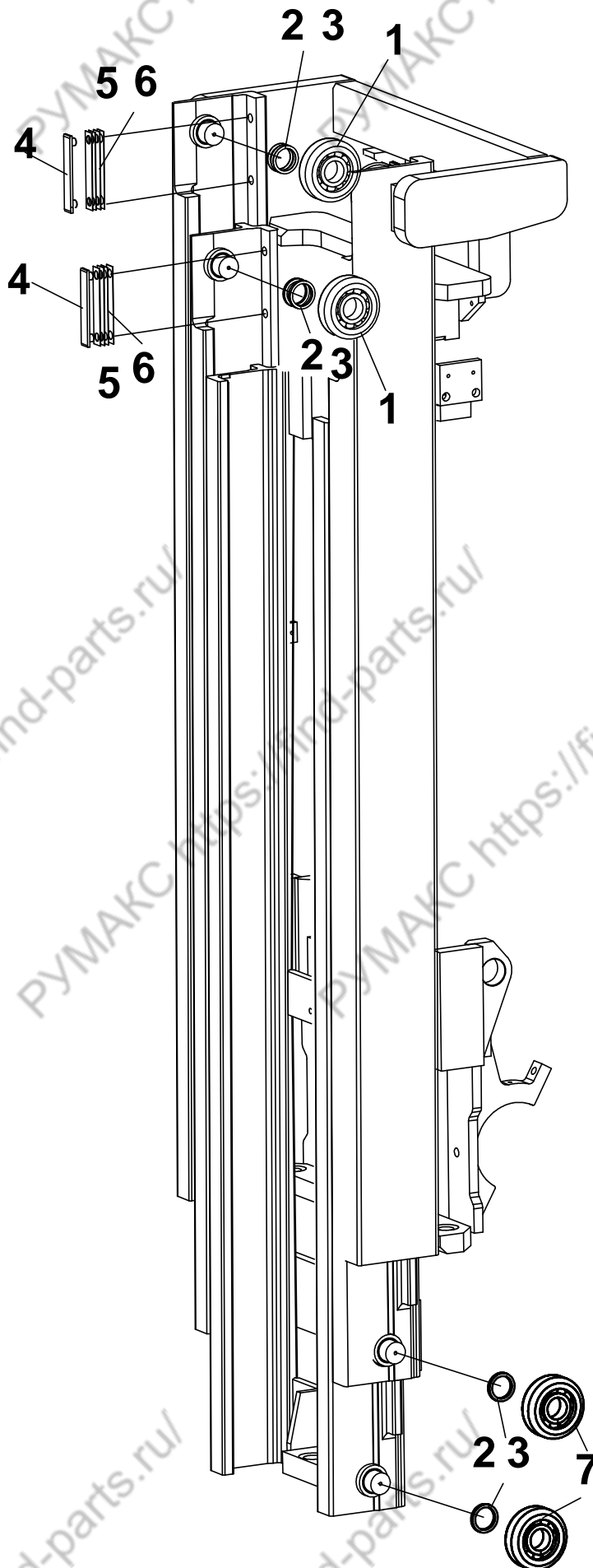


D15/18S5 D20SC-5

FIG.9-010-0

D583572 Mast Gp - Basic - STD, FFL

NOTE	ITEM NO.	PART NUMBER	QTY	DESCRIPTION	CHANGE CODE	START SERIAL NO.					
						EMOUT	EMOUU	FDA01	FDA02	FDA03	-
	1	D580006	2	Bearing							
B	2	D580002	16	Shim							
B	3	D580001	12	Shim							
	4	D580003	2	Pad							
B	5	D580004	4	Shim							
B	6	D580005	4	Shim							
H	7	D580006	2	Bearing(0.5 Under Size)							
H		D580007	2	Bearing(STD Size)							
H		D580008	2	Bearing(0.5 Over Size)							

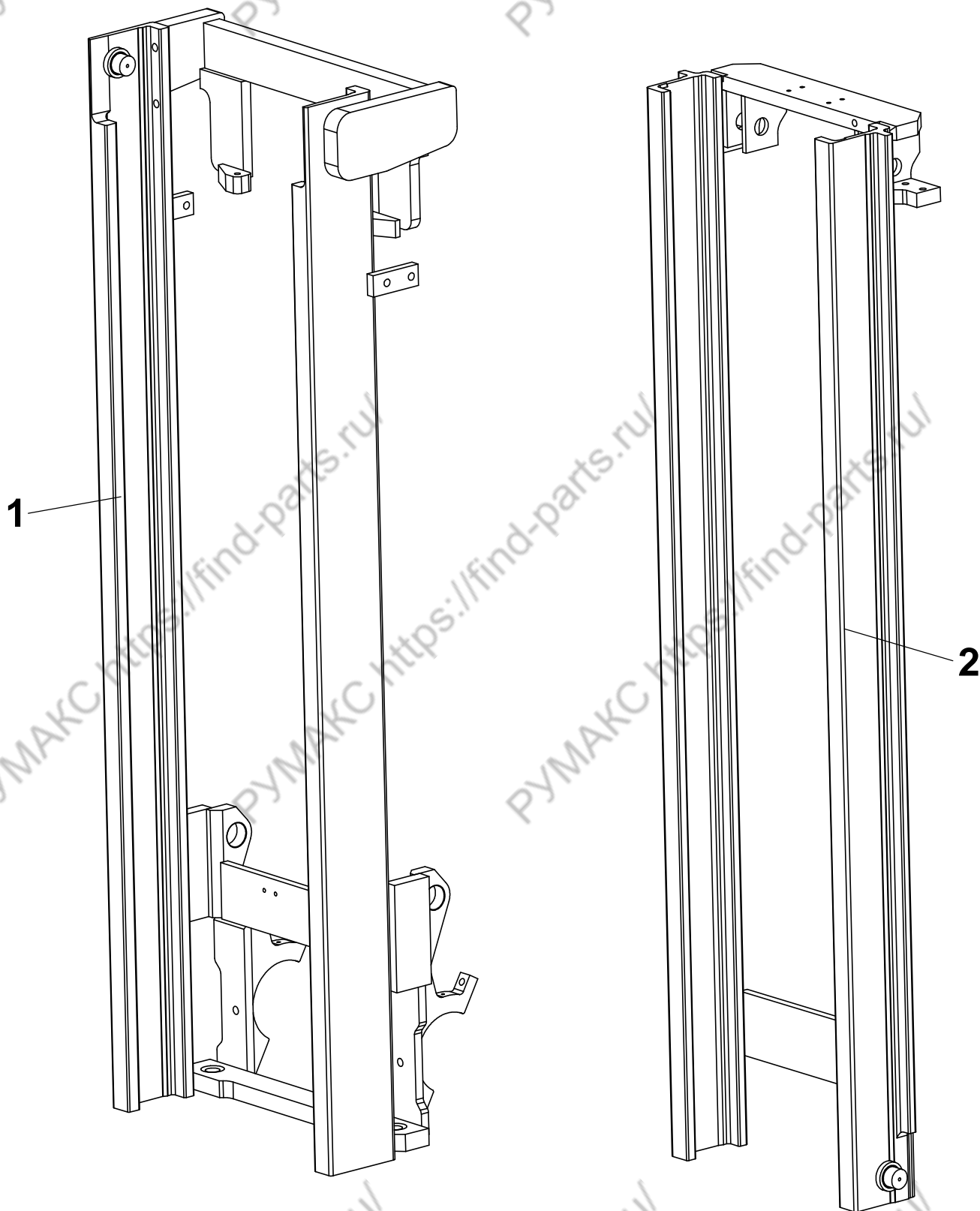


D15/18S5 D20SC-5

FIG.9-020-0

D583573 Mast Gp - Basic - FFT

NOTE	ITEM NO.	PART NUMBER	QTY	DESCRIPTION	CHANGE CODE	START SERIAL NO.					
						EMOUT	EMOUU	FDA01	FDA02	FDA03	-
	1	D580006	4	Bearing							
B	2	D580002	32	Shim							
B	3	D580001	24	Shim							
	4	D580003	4	Pad							
B	5	D580004	8	Shim							
B	6	D580005	8	Shim							
H	7	D580006	4	Bearing(0.5 Under Size)							
H		D580007	4	Bearing(STD Size)							
H		D580008	4	Bearing(0.5 Over Size)							

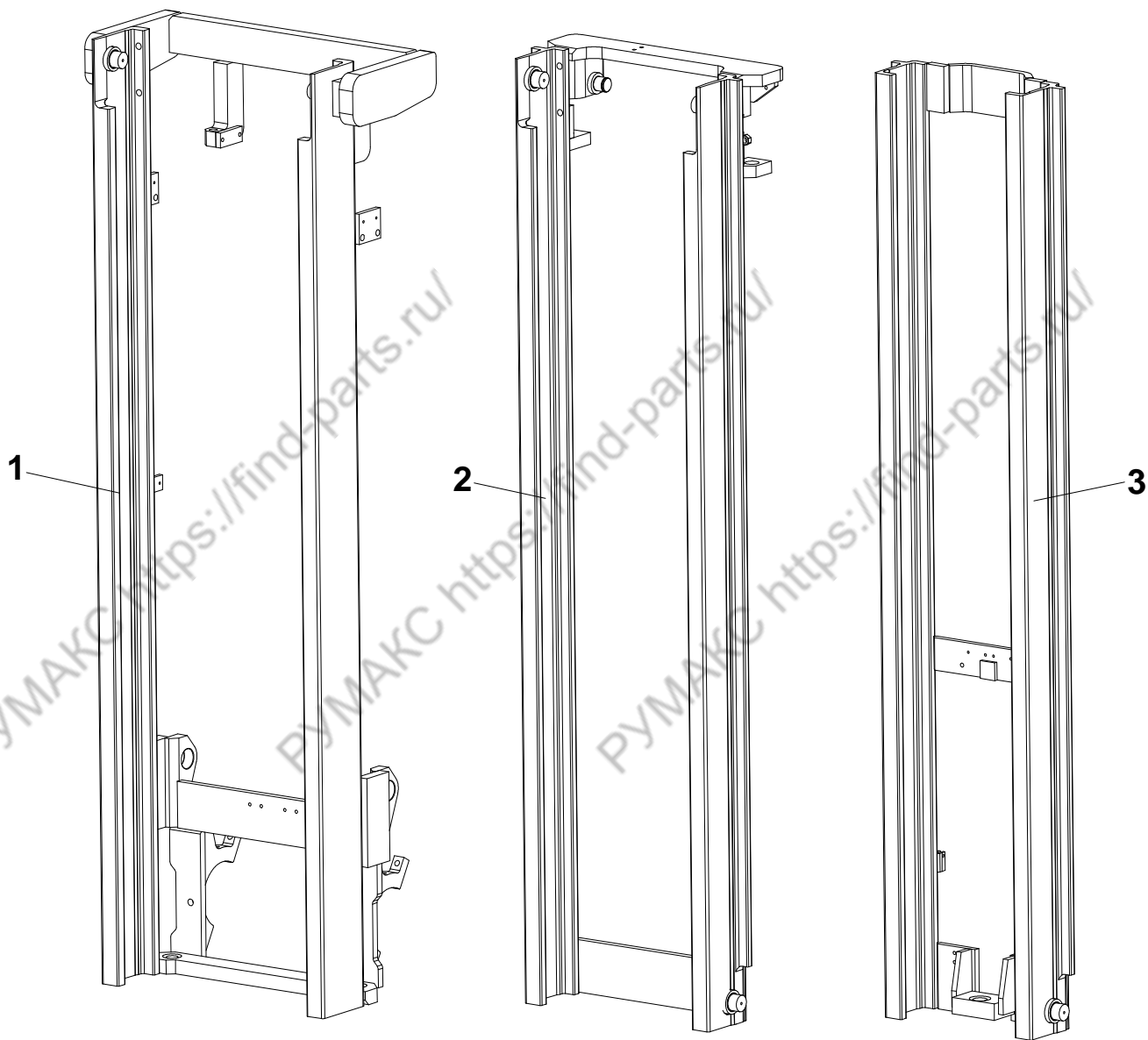


D15/18S5 D20SC-5

FIG.9-030-0

Mast Ass. 7y - STD

NOTE	ITEM NO.	PART NUMBER	QTY	DESCRIPTION	CHANGE CODE	START SERIAL NO.					
						EM0UT	EM0UU	FDA01	FDA02	FDA03	-
	1	A276080	1	Outer Mast As-MFH 3000mm							
		A276081	1	Outer Mast As-MFH 3300mm							
		A276082	1	Outer Mast As-MFH 3500mm							
		A276083	1	Outer Mast As-MFH 3700mm							
		A276084	1	Outer Mast As-MFH 4000mm							
		A276085	1	Outer Mast As-MFH 4500mm							
	2	D583605	1	Inner Mast As-MFH 3000mm							
		D583606	1	Inner Mast As-MFH 3300mm							
		D583607	1	Inner Mast As-MFH 3500mm							
		D583608	1	Inner Mast As-MFH 3700mm							
		D583609	1	Inner Mast As-MFH 4000mm							
		D583610	1	Inner Mast As-MFH 4500mm							

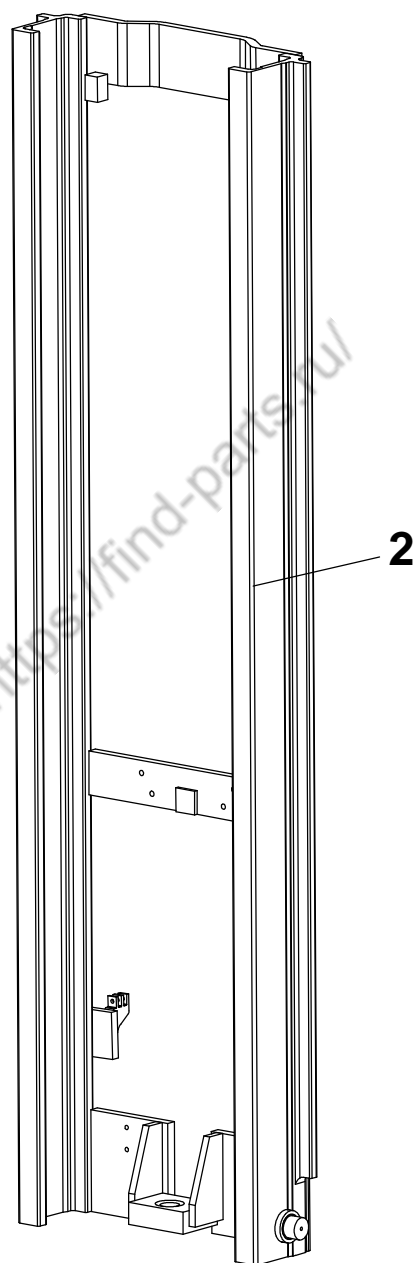
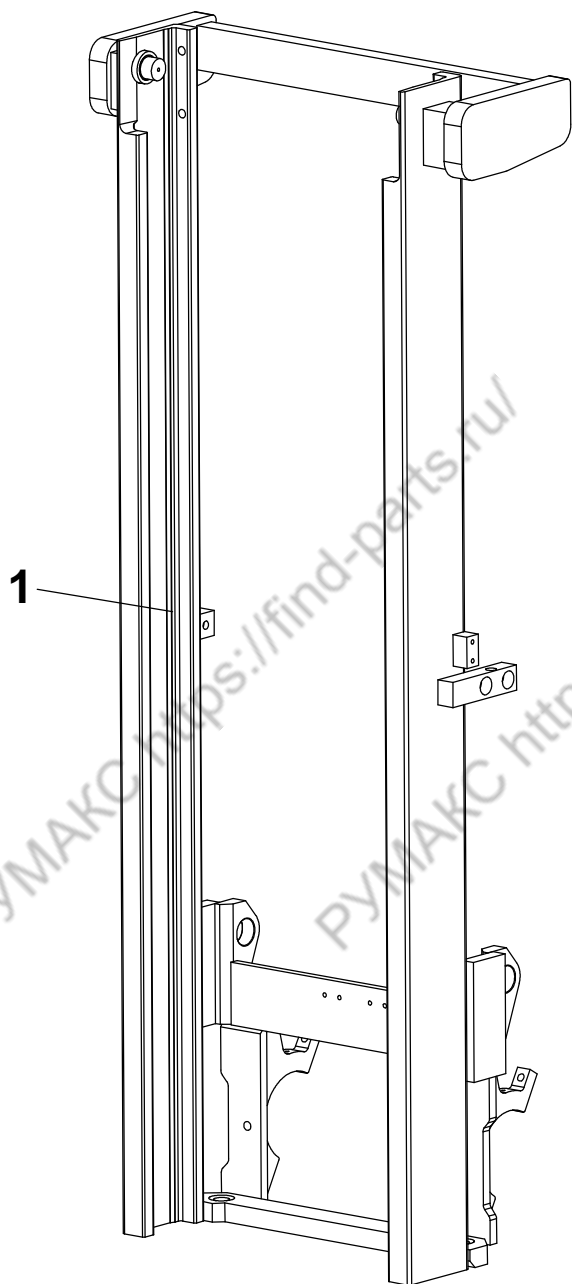


D15/18S5 D20SC-5

FIG.9-040-0

Mast Ass. 7y - FFT

NOTE	ITEM NO.	PART NUMBER	QTY	DESCRIPTION	CHANGE CODE	START SERIAL NO.					
						EM0UT	EM0UU	FDA01	FDA02	FDA03	-
	1	A276168	1	Outer Mast As-MFH 4000mm							
		A276169	1	Outer Mast As-MFH 4500mm							
		A276170	1	Outer Mast As-MFH 4750mm							
		A276171	1	Outer Mast As-MFH 5000mm							
		A276172	1	Outer Mast As-MFH 5500mm							
		A276173	1	Outer Mast As-MFH 6000mm							
	2	A156554	1	Inter Mast As-MFH 4000 mm							
		A156555	1	Inter Mast As-MFH 4500 mm							
		A156556	1	Inter Mast As-MFH 4750 mm							
		A156557	1	Inter Mast As-MFH 5000 mm							
		A156558	1	Inter Mast As-MFH 5500 mm							
		A156559	1	Inter Mast As-MFH 6000 mm							
	3	A156548	1	Inner Mast As-MFH 4000 mm							
		A156549	1	Inner Mast As-MFH 4500 mm							
		A156550	1	Inner Mast As-MFH 4750 mm							
		A156551	1	Inner Mast As-MFH 5000 mm							
		A156552	1	Inner Mast As-MFH 5500 mm							
		A156553	1	Inner Mast As-MFH 6000 mm							

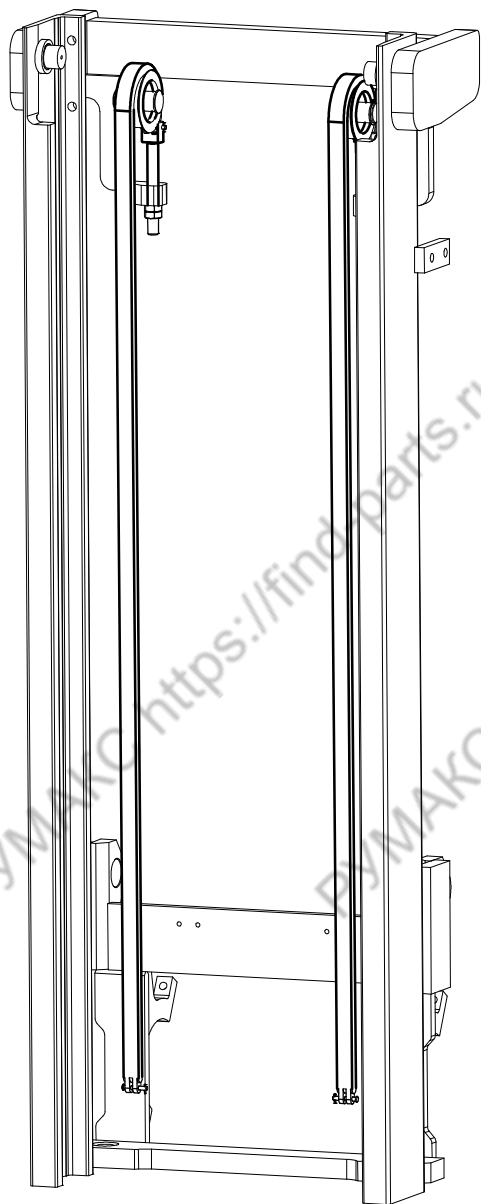


D15/18S5 D20SC-5

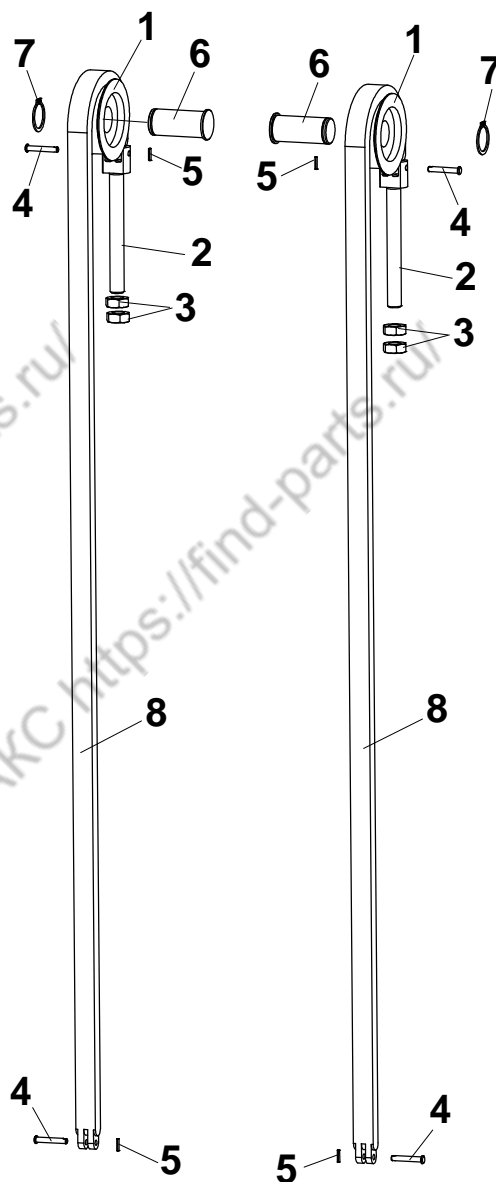
FIG.9-050-0

Mast Ass. 7y - FFL

NOTE	ITEM NO.	PART NUMBER	QTY	DESCRIPTION	CHANGE CODE	START SERIAL NO.					
						EM0UT	EM0UU	FDA01	FDA02	FDA03	-
	1	A276086	1	Outer Mast As-MFH 2700 mm							
		A276087	1	Outer Mast As-MFH 3000 mm							
		A276088	1	Outer Mast As-MFH 3300 mm							
	2	D583611	1	Inner Mast As-MFH 2700 mm							
		D583612	1	Inner Mast As-MFH 3000 mm							
		D583613	1	Inner Mast As-MFH 3300 mm							



[Relay Gp - STD]



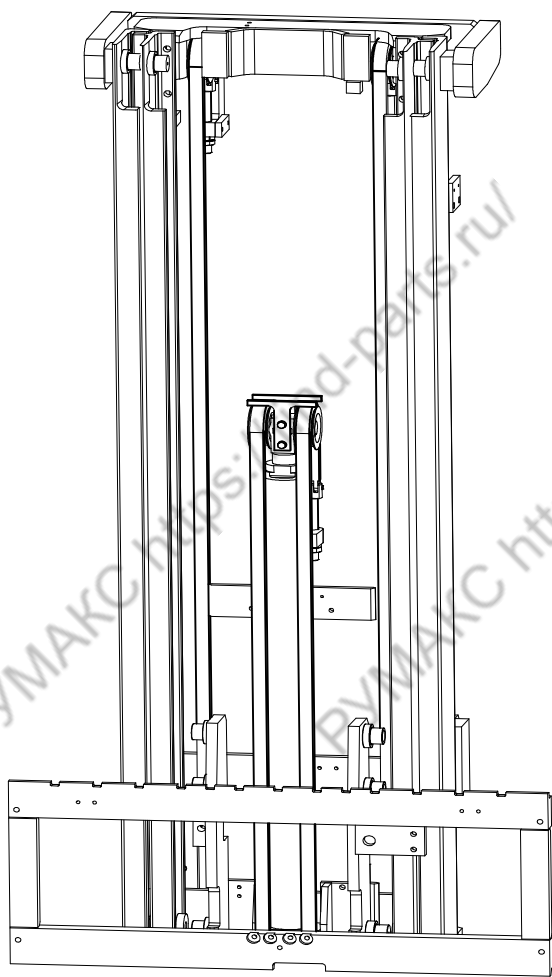
D15/18S5 D20SC-5

FIG.9-060-0

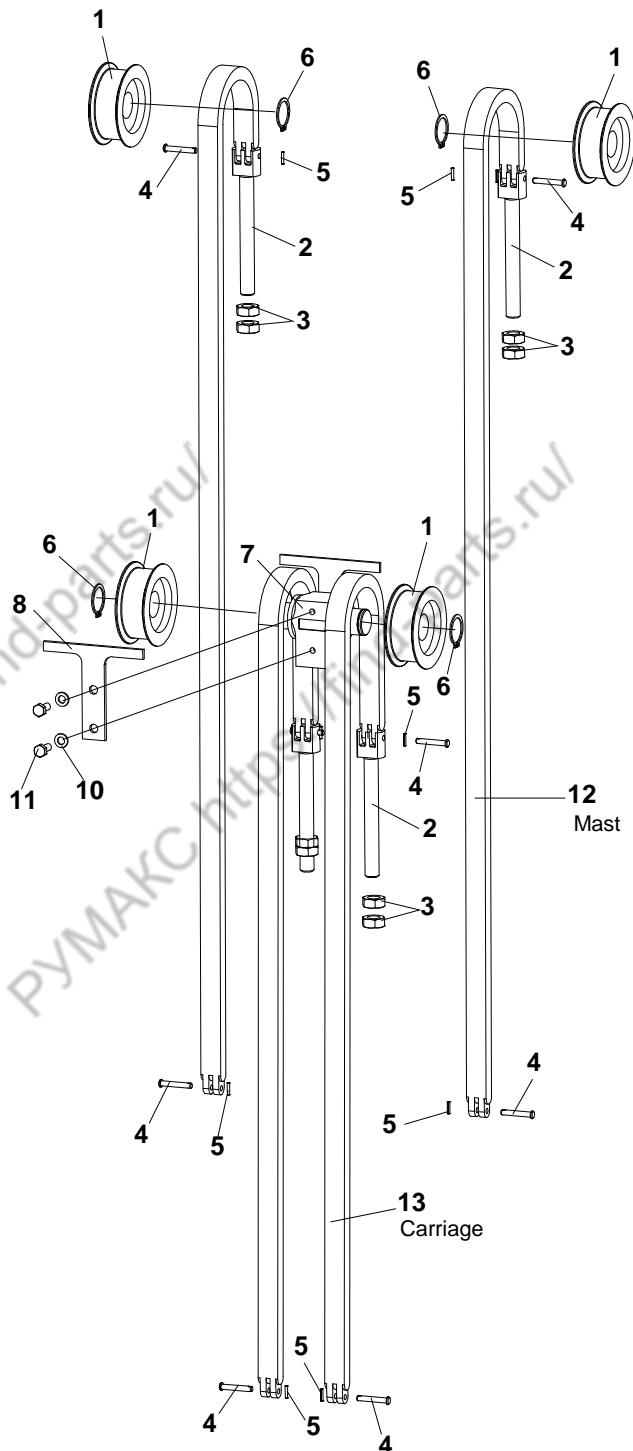
D583413 Relay Gp - Lift - STD

NOTE	ITEM NO.	PART NUMBER	QTY	DESCRIPTION	CHANGE CODE	START SERIAL NO.					
						EM0UT	EM0UU	FDA01	FDA02	FDA03	-
	1	D580010	2	Bearing							
	2	D580019	2	Bolt-Chain							
	3	S4034933	4	Nut							
	4	120501-00338	4	Pin							
	5	S5740410	4	Pin							
	6	D583392	2	Pin							
	7	S6500300	2	Ring-Retaining							
K	8	D580012	115	Chain-LKS-MFH 3000mm							
K			123	Chain-LKS-MFH 3300mm							
K			131	Chain-LKS-MFH 3500mm							
K			137	Chain-LKS-MFH 3700mm							
K			149	Chain-LKS-MFH 4000mm							
K			165	Chain-LKS-MFH 4500mm							

<https://find-parts.ru/>
<https://find-parts.ru/>
<https://find-parts.ru/>
<https://find-parts.ru/>
<https://find-parts.ru/>



[Relay Gp - FFT]

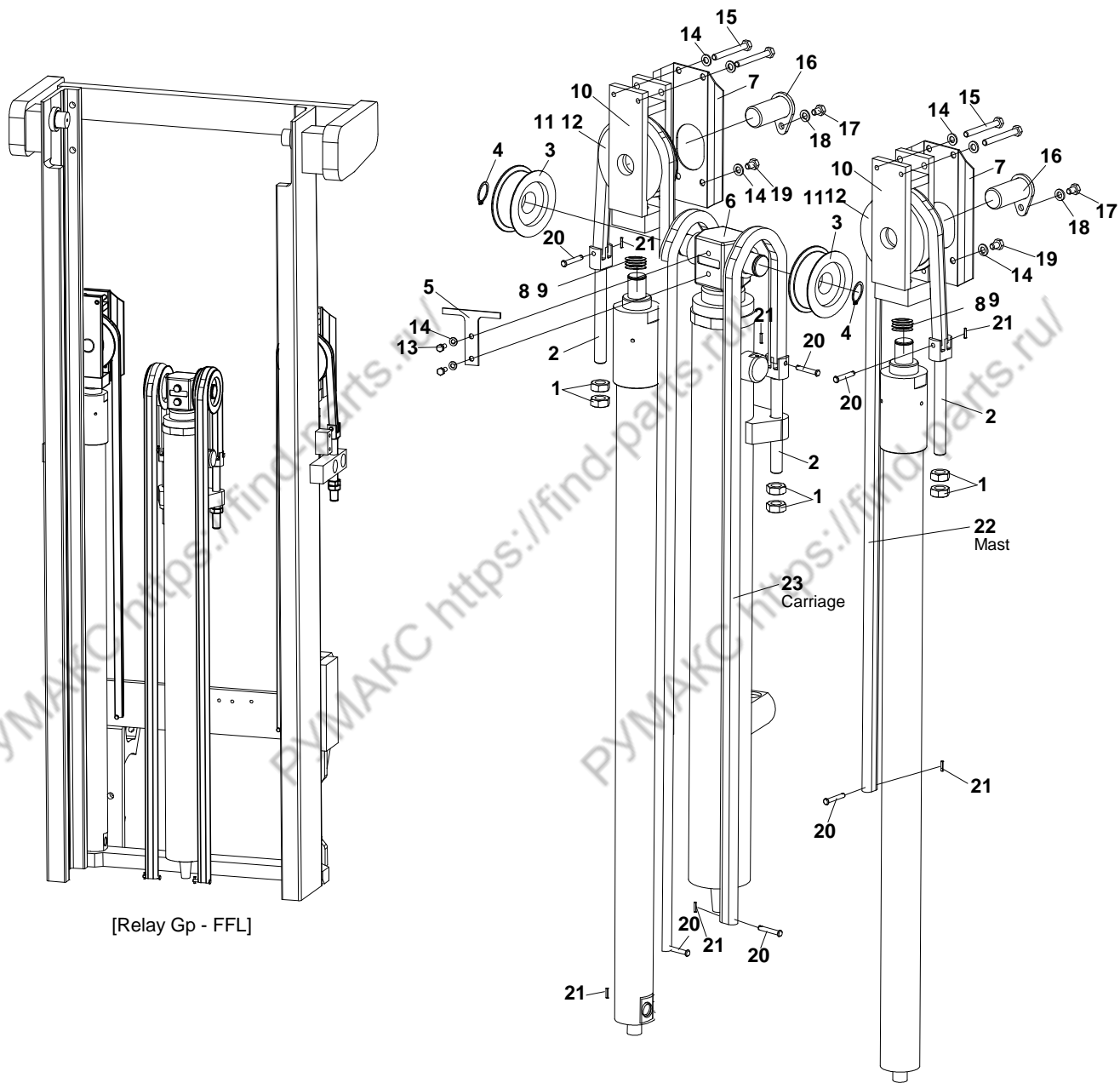


D15/18S5 D20SC-5

FIG.9-070-0

A156560 Relay Gp - Lift - FFT

NOTE	ITEM NO.	PART NUMBER	QTY	DESCRIPTION	CHANGE CODE	START SERIAL NO.				
						EMOUT	EMOUU	FDA01	FDA02	FDA
	1	D580010	4	Bearing						
	2	D580019	4	Bolt-Chain						
	3	S4034933	8	Nut						
	4	120501-00338	8	Pin						
	5	S5740410	8	Pin						
	6	S6500300	4	Ring-Retaining						
	7	A156487	1	Cross Head Ass. y						
	8	A156496	2	Guard						
	10	D917092	4	Washer						
	11	S0508863	2	Bolt						
K	12	D580012	99	Chain-LKS-MFH 4000mm(Mast)						
K			111	Chain-LKS-MFH 4500mm(Mast)						
K			115	Chain-LKS-MFH 4750mm(Mast)						
K			123	Chain-LKS-MFH 5000mm(Mast)						
K			137	Chain-LKS-MFH 5500mm(Mast)						
K			149	Chain-LKS-MFH 6000mm(Mast)						
K	13	D580012	85	Chain-LKS-MFH 4000mm(Carriage)						
K			89	Chain-LKS-MFH 4500mm(Carriage)						
K			93	Chain-LKS-MFH 4750mm(Carriage)						
K			95	Chain-LKS-MFH 5000mm(Carriage)						
K			103	Chain-LKS-MFH 5500mm(Carriage)						
K			109	Chain-LKS-MFH 6000mm(Carriage)						

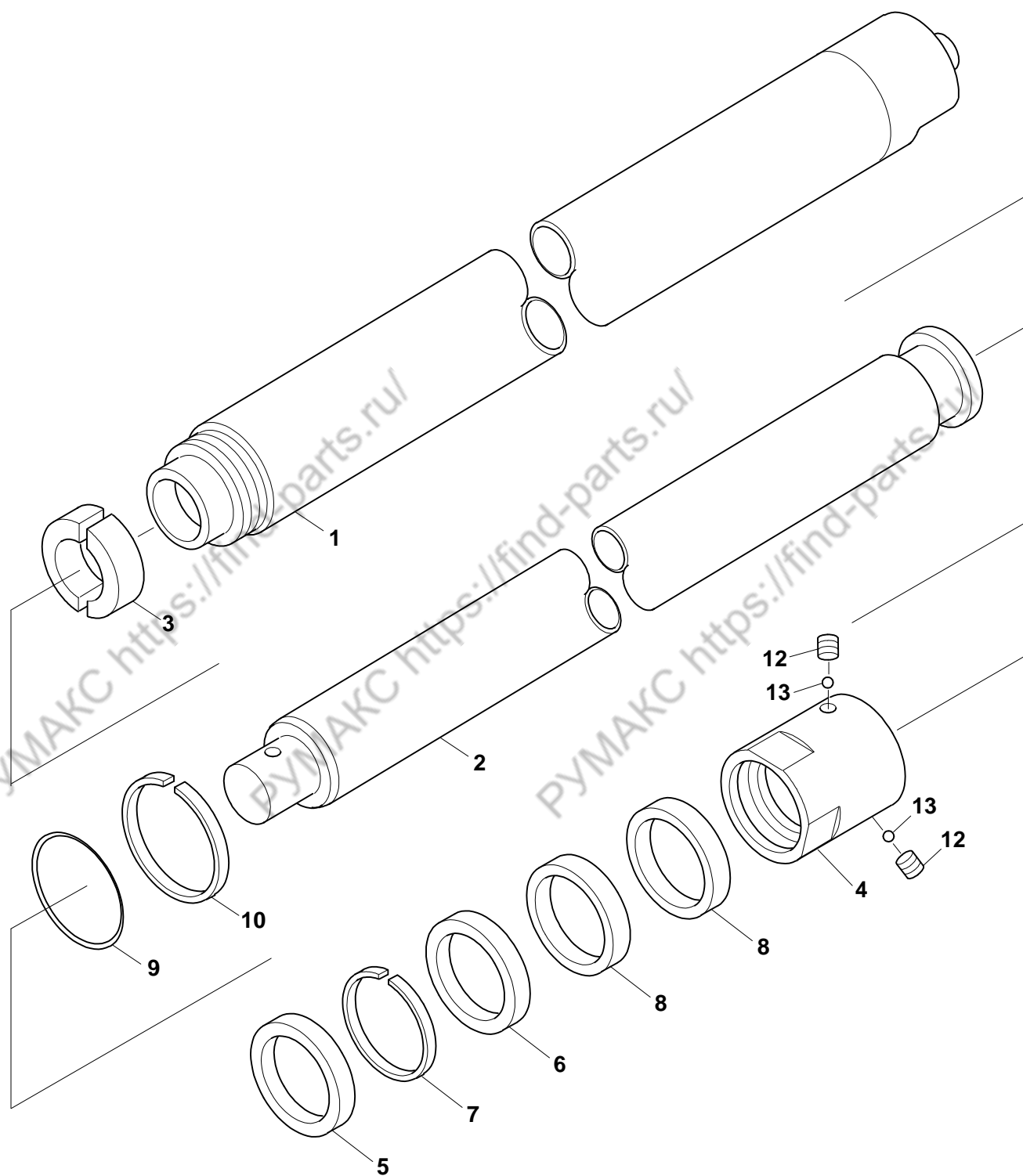


D15/18S5 D20SC-5

FIG.9-080-0

D583414 Relay Gp - Lift - FFL

NOTE	ITEM NO.	PART NUMBER	QTY	DESCRIPTION	CHANGE CODE	START SERIAL NO.				
						EM0UT	EM0UU	FDA01	FDA02	FDAC
	1	S4034933	8	Nut						
	2	D580019	4	Bolt-Chain						
	3	D580010	2	Bearing						
	4	S6500300	2	Ring-Retaining						
	5	D583522	2	Guard						
	6	D583477	1	Cross Head Ass. y						
	7	D584020	2	Shield						
	8	D580947	6	Shim						
	9	D580948	4	Shim						
	10	D583937	2	Cross Head Ass. y						
	11	D580030	2	Bearing						
	12	S6500250	2	Ring-Retaining						
	13	S0555963	4	Bolt						
	14	D917092	12	Washer						
	15	S0556663	4	Bolt						
	16	D580411	2	Pin Ass. y						
	17	S0504763	2	Bolt						
	18	S5102303	2	Washer						
	19	S0508463	4	Bolt						
	20	120501-00338	8	Pin						
	21	S5740410	8	Pin						
K	22	D580012	67	Chain-LKS-MFH 2700mm(Mast)						
K			73	Chain-LKS-MFH 3000mm(Mast)						
K			77	Chain-LKS-MFH 3300mm(Mast)						
K	23	D580012	83	Chain-LKS-MFH 2700mm(Carriage)						
K			87	Chain-LKS-MFH 3000mm(Carriage)						
K			93	Chain-LKS-MFH 3300mm(Carriage)						

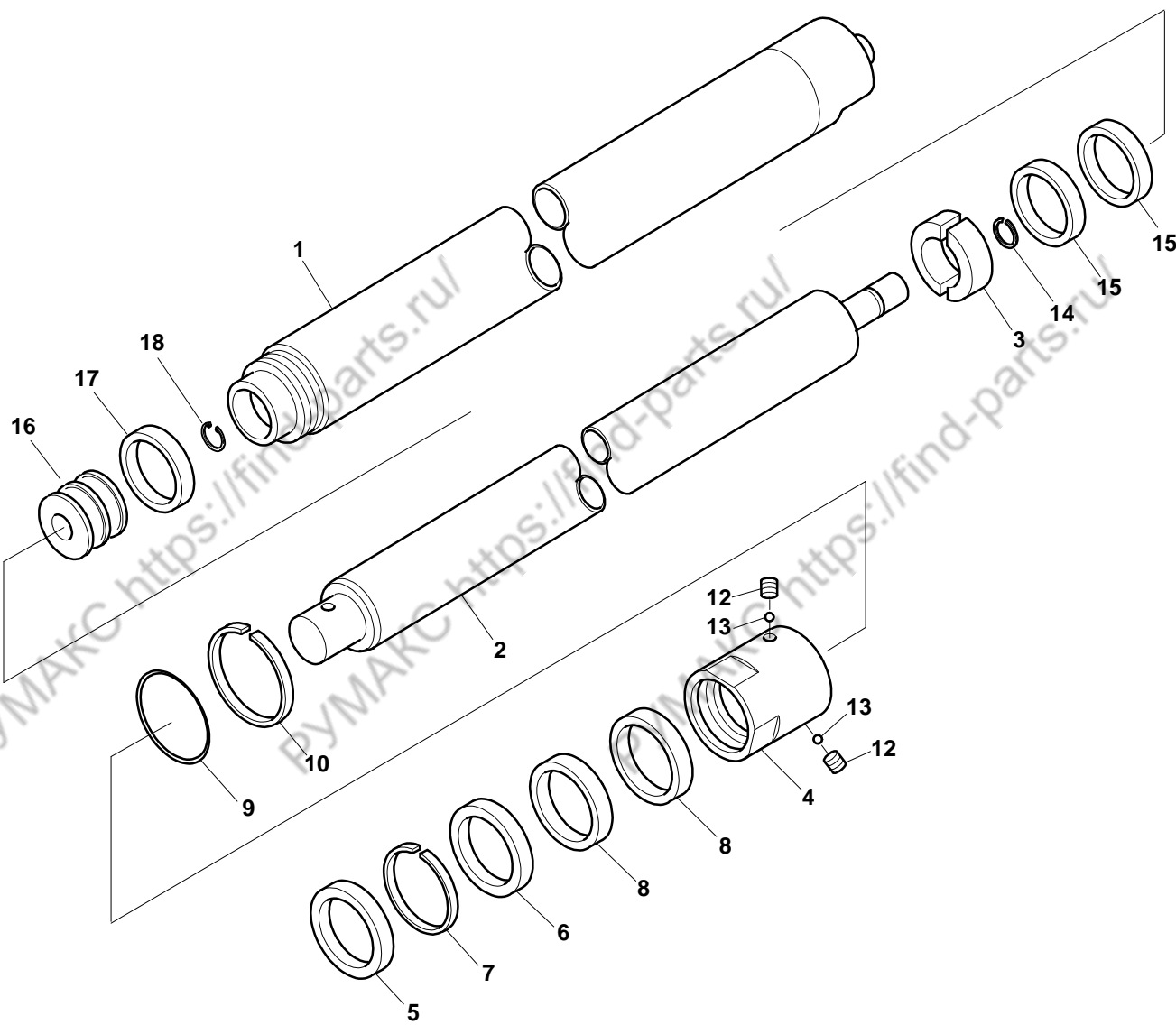


D15/18S5 D20SC-5

FIG.9-090-0

D512374 Lift Gp - Secondary Cylinder - STD

NOTE	ITEM NO.	PART NUMBER	QTY	DESCRIPTION	CHANGE CODE	START SERIAL NO.					
						EM0UT	EM0UU	FDA01	FDA02	FDA03	-
	1	420402-00054		Tube As(MFH 3000 mm)							
		420402-00056		Tube As(MFH 3300 mm)							
		420402-00057		Tube As(MFH 3500 mm)							
		420402-00058		Tube As(MFH 3700 mm)							
		420402-00059		Tube As(MFH 4000 mm)							
		420402-00060		Tube As(MFH 4500 mm)							
	2	400337-00009		Rod(MFH 3000 mm)							
		400337-00010		Rod(MFH 3300 mm)							
		400337-00011		Rod(MFH 3500 mm)							
		400337-00012		Rod(MFH 3700 mm)							
		400337-00013		Rod(MFH 4000 mm)							
		400337-00014		Rod(MFH 4500 mm)							
	3	D512433	1	Ring							
	4	400337-00100	1	Rod Cover							
J	5	D510024	1	U-Packing							
J	6	D501710	1	Ring-Back Up							
J	7	D501260	1	Wiper-Dust							
J	8	D510175	2	Ring-SLYD							
J	9	D510541	1	O-Ring							
J	10	D511670	1	Ring-Back Up							
	12	D510696	3	Screw-Set							
	13	D510695	3	Ball-Steel							
				The Following Repair Kit Is Available :							
		D512436	1	Kit-Seal (Includes Parts Marked J)							
				The Following Cylinder As Is Available ;							
		D512378	1	Lift Group(MFH 3000mm)							
		D512379	1	Lift Group(MFH 3300mm)							
		D512380	1	Lift Group(MFH 3500mm)							
		D512381	1	Lift Group(MFH 3700mm)							
		D512382	1	Lift Group(MFH 4000mm)							
		D512383	1	Lift Group(MFH 4500mm)							

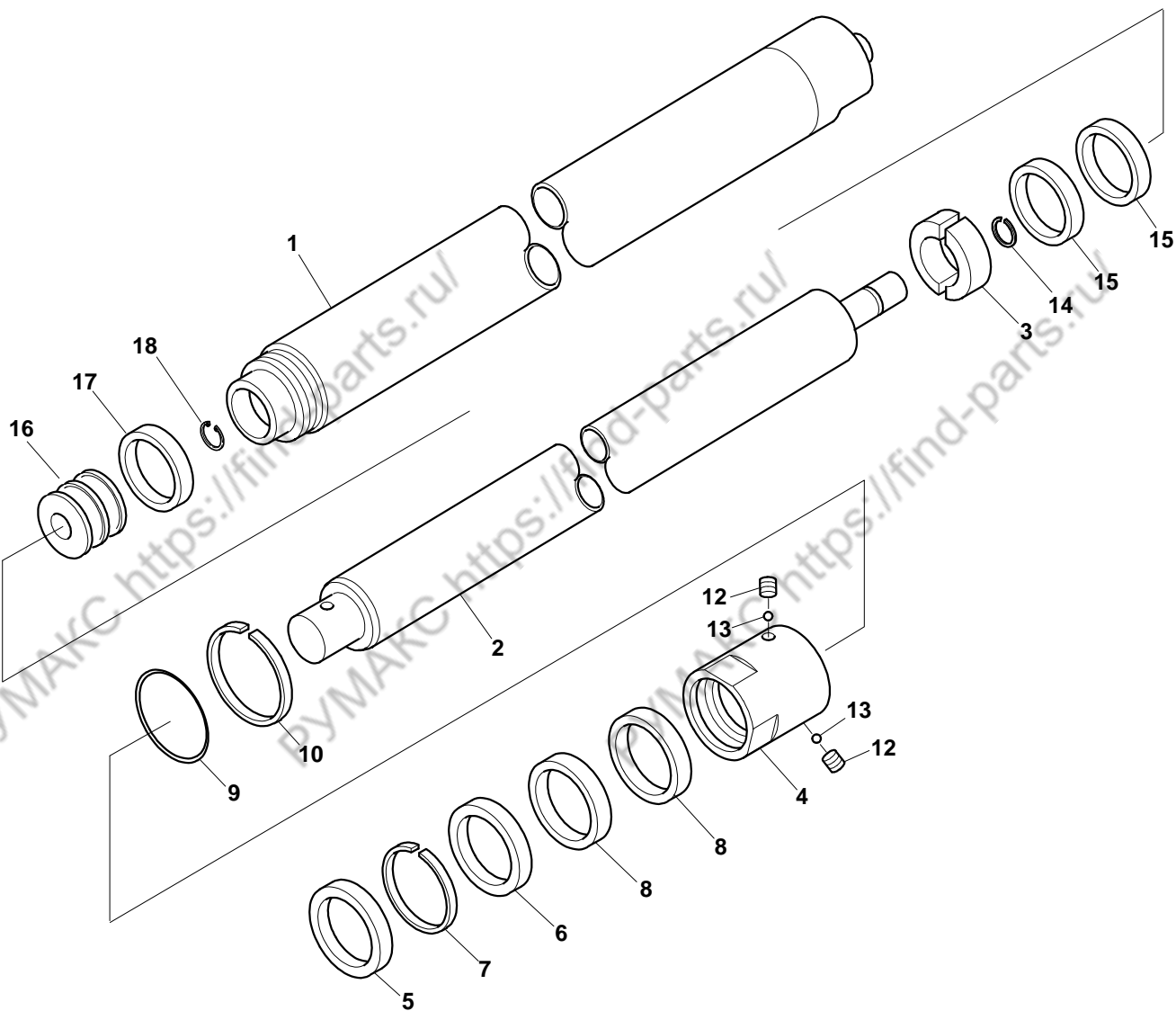


D15/18S5 D20SC-5

FIG.9-100-0

D512394 Lift Gp - Secondary Cylinder - FFT

NOTE	ITEM NO.	PART NUMBER	QTY	DESCRIPTION	CHANGE CODE	START SERIAL NO.				
						EMOUT	EM0UU	FDA01	FDA02	FDA03
	1		1	Tube As(MFH 3700 mm)						
		420402-00067	1	Tube As(MFH 4000 mm)						
		420402-00070	1	Tube As(MFH 4500 mm)						
		420402-00071	1	Tube As(MFH 4750 mm)						
		420402-00072	1	Tube As(MFH 5000 mm)						
		420402-00076	1	Tube As(MFH 5500 mm)						
		420402-00079	1	Tube As(MFH 6000 mm)						
	2		1	Rod(MFH 3700 mm)						
		D515294	1	Rod(MFH 4000 mm)						
		D515297	1	Rod(MFH 4500 mm)						
		D515298	1	Rod(MFH 4750 mm)						
		D515299	1	Rod(MFH 5000 mm)						
		D515302	1	Rod(MFH 5500 mm)						
		D515305	1	Rod(MFH 6000 mm)						
	3	D512433	1	Ring						
	4	400337-00100	1	Rod Cover						
J	5	D501260	1	Wiper-Dust						
J	6	D510024	1	U-Packing						
J	7	D501710	1	Ring-Back Up						
J	8	D510175	2	Ring-SLYD						
J	9	D510541	1	O-Ring						
J	10	D511670	1	Ring-Back Up						
	12	D510696	3	Screw-Set						
	13	D510695	3	Ball-Steel						
	14	D511500	1	Ring-Retaining						
J	15	D510163	2	Ring-Wear						
	16	D512463	1	Piston						
J	17	D511501	1	Ring-Cushion						
	18	D511502	1	Ring-Snap						
				The Following Repair Kit Is Available ;						
		D512475	1	Kit-Seal (Includes Parts Marked J)						
				The Following Cylinder As Is Available ;						
		D512395	2	Lift Gp-Secondary-FFT(MFH 3700mm)						
		D512397	2	Lift Gp-Secondary-FFT(MFH 4000mm)						
		D512399	2	Lift Gp-Secondary-FFT(MFH 4500mm)						
		D512400	2	Lift Gp-Secondary-FFT(MFH 4750mm)						
		D512401	2	Lift Gp-Secondary-FFT(MFH 5000mm)						
		D512403	2	Lift Gp-Secondary-FFT(MFH 5500mm)						
		D512405	2	Lift Gp-Secondary-FFT(MFH 6000mm)						

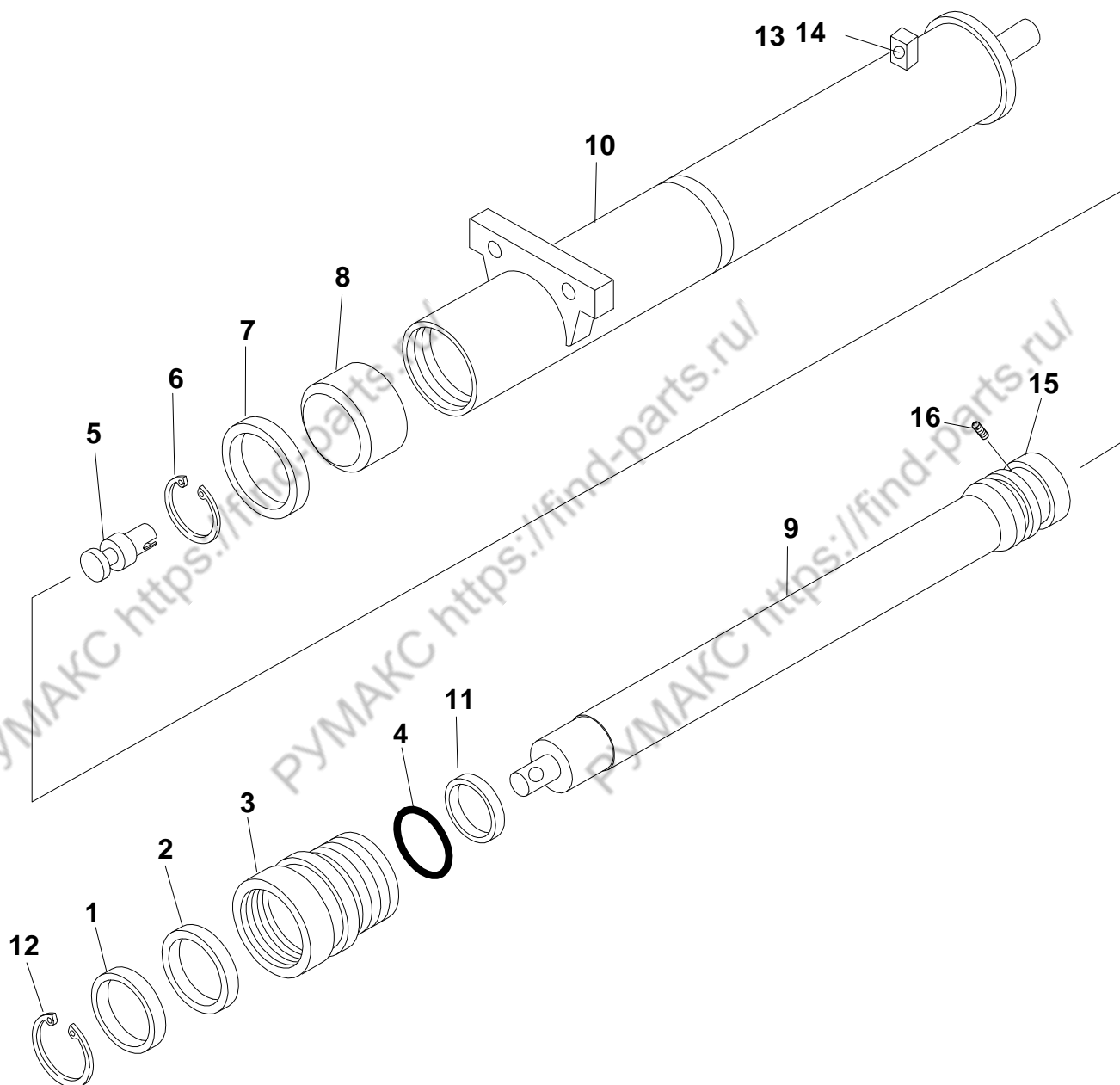


D15/18S5 D20SC-5

FIG.9-110-0

D512388 Lift Gp - Secondary Cylinder - FFL

NOTE	ITEM NO.	PART NUMBER	QTY	DESCRIPTION	CHANGE CODE	START SERIAL NO.				
						EM0UT	EM0UU	FDA01	FDA02	FDA03
	1	420402-00091	1	Tube As(MFH 2700 mm)						
		420402-00092	1	Tube As(MFH 3000 mm)						
		420402-00093	1	Tube As(MFH 3300 mm)						
	2	400337-00095	1	Rod(MFH 2700 mm)						
		400337-00096	1	Rod(MFH 3000 mm)						
		400337-00097	1	Rod(MFH 3300 mm)						
	3	D512433	1	Ring						
	4	400337-00100	1	Rod Cover						
J	5	D501260	1	Wiper-Dust						
J	6	D510024	1	U-Packing						
J	7	D501710	1	Ring-Back Up						
J	8	D510175	2	Ring-SLYD						
J	9	D510541	1	O-Ring						
J	10	D511670	1	Ring-Back Up						
	12	D510696	3	Screw-Set						
	13	D510695	3	Ball-Steel						
	14	D511500	1	Ring-Retaining						
J	15	D510163	2	Ring-Wear						
	16	D512463	1	Piston						
	17	D511501	1	Ring-Cushion						
	18	D511502	1	Ring-Snap						
				The Following Repair Kit Is Available ;						
		D512475	1	Kit-Seal (Includes Parts Marked J)						
				The Following Cylinder As Is Available ;						
		D512389	1	Lift Gp-Sec.(MFH 2700mm)						
		D512390	1	Lift Gp-Sec.(MFH 3000mm)						
		D512391	1	Lift Gp-Sec.(MFH 3300mm)						

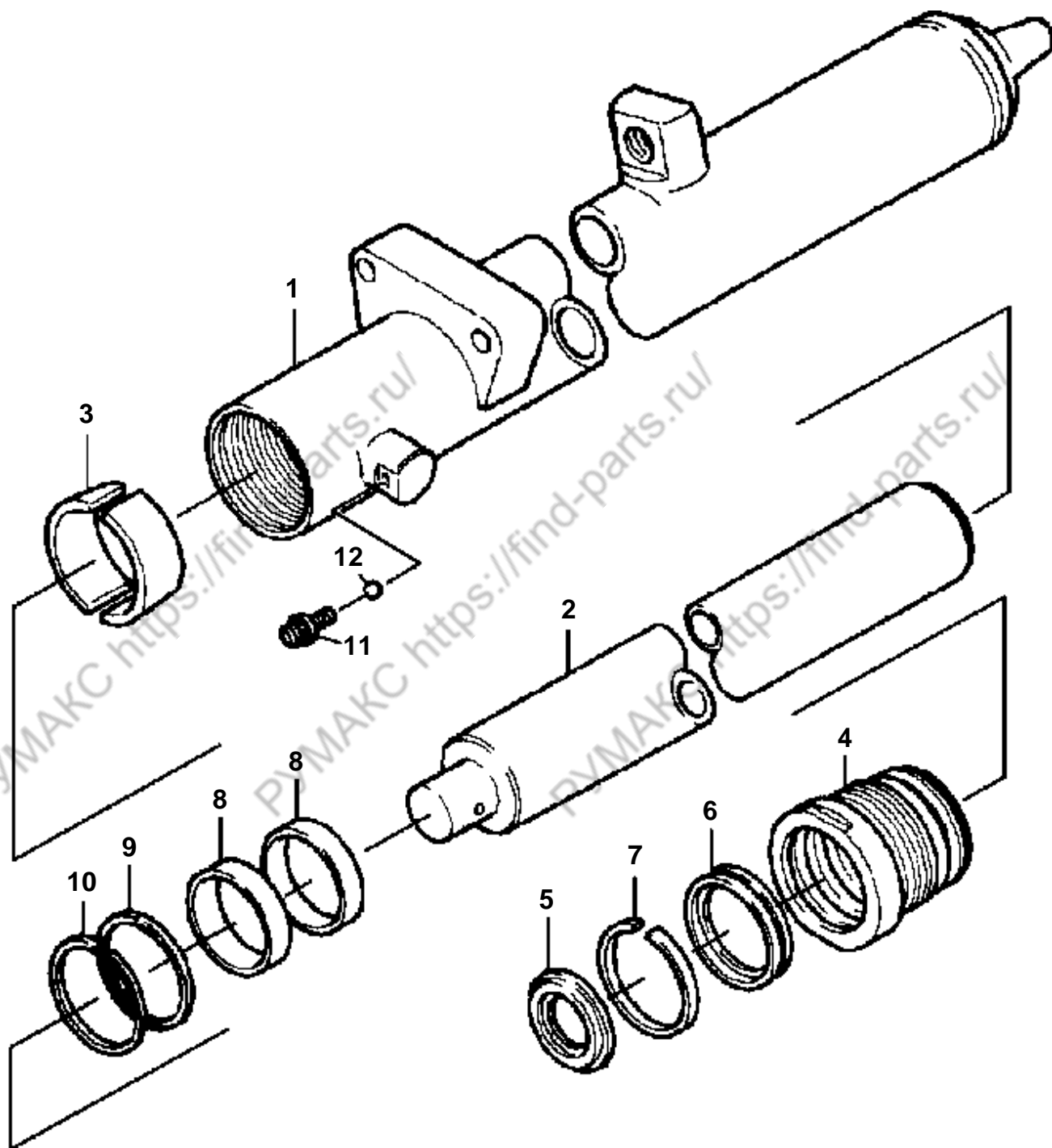


D15/18S5 D20SC-5

FIG.9-120-0

400321-00037 Lift Gp - Primary Cylinder - FFT

NOTE	ITEM NO.	PART NUMBER	QTY	DESCRIPTION	CHANGE CODE	START SERIAL NO.				
						EMOUT	EM0UU	FDA01	FDA02	FDA03
J	1	D512292	1	Dust Wiper						
J	2	D512293	1	U-Packing						
	3	D512291	1	Rod Cover						
J	4	D512294	1	O-Ring						
	5	D512300	1	Check Valve						
	6	111104-00055	1	Retaining Ring						
J	7	D512298	1	Slipper Seal						
J	8	D512297	1	Wear Ring						
	9	400337-00039	1	Rod Ass. 7y(MFH 4000mm)						
		400337-00042	1	Rod Ass. 7y(MFH 4500mm)						
		400337-00043	1	Rod Ass. 7y(MFH 4750mm)						
		400337-00045	1	Rod Ass. 7y(MFH 5000mm)						
		400337-00049	1	Rod Ass. 7y(MFH 5500mm)						
		400337-00052	1	Rod Ass. 7y(MFH 6000mm)						
	10	420402-00017	1	Tube Ass. 7y(MFH 4000mm)						
		420402-00020	1	Tube Ass. 7y(MFH 4500mm)						
		420402-00021	1	Tube Ass. 7y(MFH 4750mm)						
		420402-00023	1	Tube Ass. 7y(MFH 5000mm)						
		420402-00027	1	Tube Ass. 7y(MFH 5500mm)						
		420402-00030	1	Tube Ass. 7y(MFH 6000mm)						
J	11	D512295	1	Back Up Ring						
	12	D512313	1	Stopper						
	13	D512551	1	O-Ring						
	14	D512302	1	Dust Cap(Steel)						
	15	D512296	1	Piston						
	16	D512299	1	Set Screw						
				The Following Repair Kit Is Available :						
		D512303	1	Kit-Seal (Includes Parts Marked J)						
				The Following Cylinder As Is Available :						
		400321-00012	1	Lift Gp-PRI-FFT(MFH 4000mm)						
		400321-00015	1	Lift Gp-PRI-FFT(MFH 4500mm)						
		400321-00016	1	Lift Gp-PRI-FFT(MFH 4750mm)						
		400321-00018	1	Lift Gp-PRI-FFT(MFH 5000mm)						
		400321-00022	1	Lift Gp-PRI-FFT(MFH 5500mm)						
		400321-00025	1	Lift Gp-PRI-FFT(MFH 6000mm)						

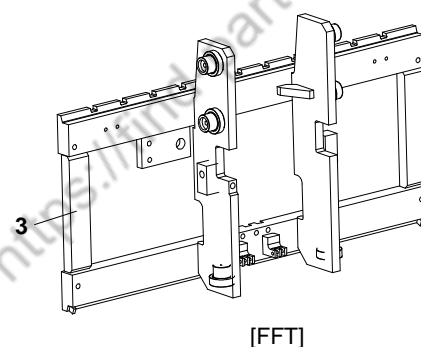
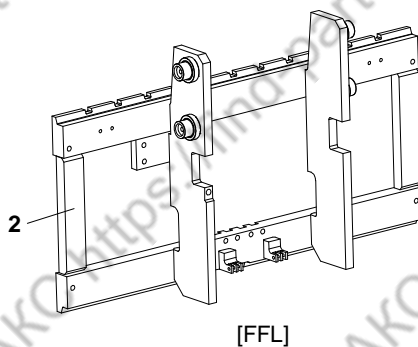
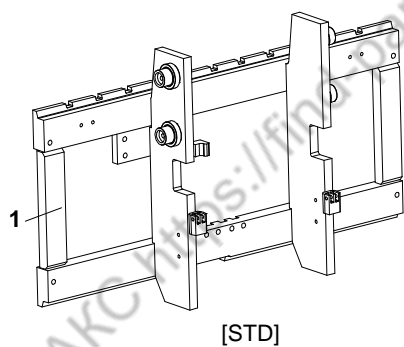


D15/18S5 D20SC-5

FIG.9-130-0

D501865 Lift Gp - Primary Cylinder - FFL

NOTE	ITEM NO.	PART NUMBER	QTY	DESCRIPTION	CHANGE CODE	START SERIAL NO.					
						EM0UT	EM0UU	FDA01	FDA02	FDA03	-
	1	D512878	1	Tube As(MFH 2700 mm)							
		D512879	1	Tube As(MFH 3000 mm)							
		D512880	1	Tube As(MFH 3300 mm)							
	2	D510228	1	Rod(MFH 2700 mm)							
		D510230	1	Rod(MFH 3000 mm)							
		D510232	1	Rod(MFH 3300 mm)							
	3	D510076	1	Ring							
	4	D510077	1	Cover-Rod							
J	5	D510078	1	Seal-Wiper							
J	6	D510079	1	Seal-U-Cup							
J	7	D510080	1	Ring-Back Up							
J	8	D510081	2	Ring-SLYD							
J	9	D510010	1	Seal-O-Ring							
J	10	D510011	1	Ring-Back Up							
	11	D510697	1	Screw-Bleeder							
	12	D510695	1	Ball							
				.							
				The Following Repair Kit Is Available ;							
		D510797	1	Kit-Seal (Includes Parts Marked J)							
				.							
				The Following Cylinder As Is Available ;							
		D501866	1	Lift Gp-PRI(MFH 2700mm)							
		D501867	1	Lift Gp-PRI(MFH 3000mm)							
		D501868	1	Lift Gp-PRI(MFH 3300mm)							

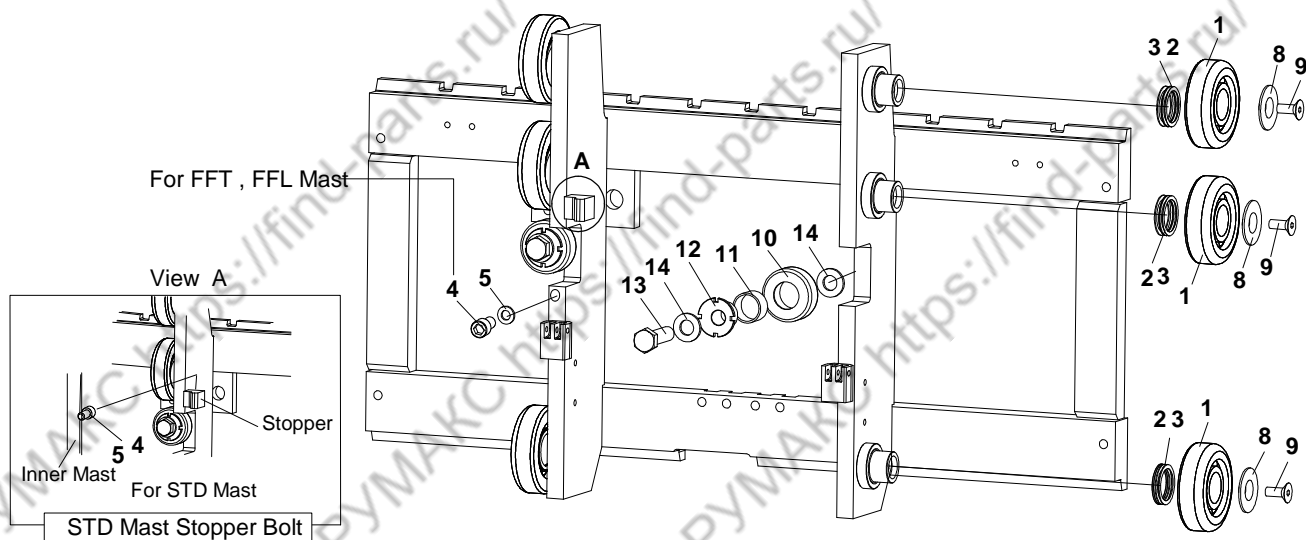


D15/18S5 D20SC-5

FIG.9-140-0

Carriage Gp - STD, FFT, FFL

NOTE	ITEM NO.	PART NUMBER	QTY	DESCRIPTION	CHANGE CODE	START SERIAL NO.					
						EM0UT	EM0UU	FDA01	FDA02	FDA03	-
	1	A156393	1	Carriage Ass. %y-STD							
	2	A156394	1	Carriage Ass. %y-FFL							
	3	A156525	1	Carriage Ass. %y-FFT							

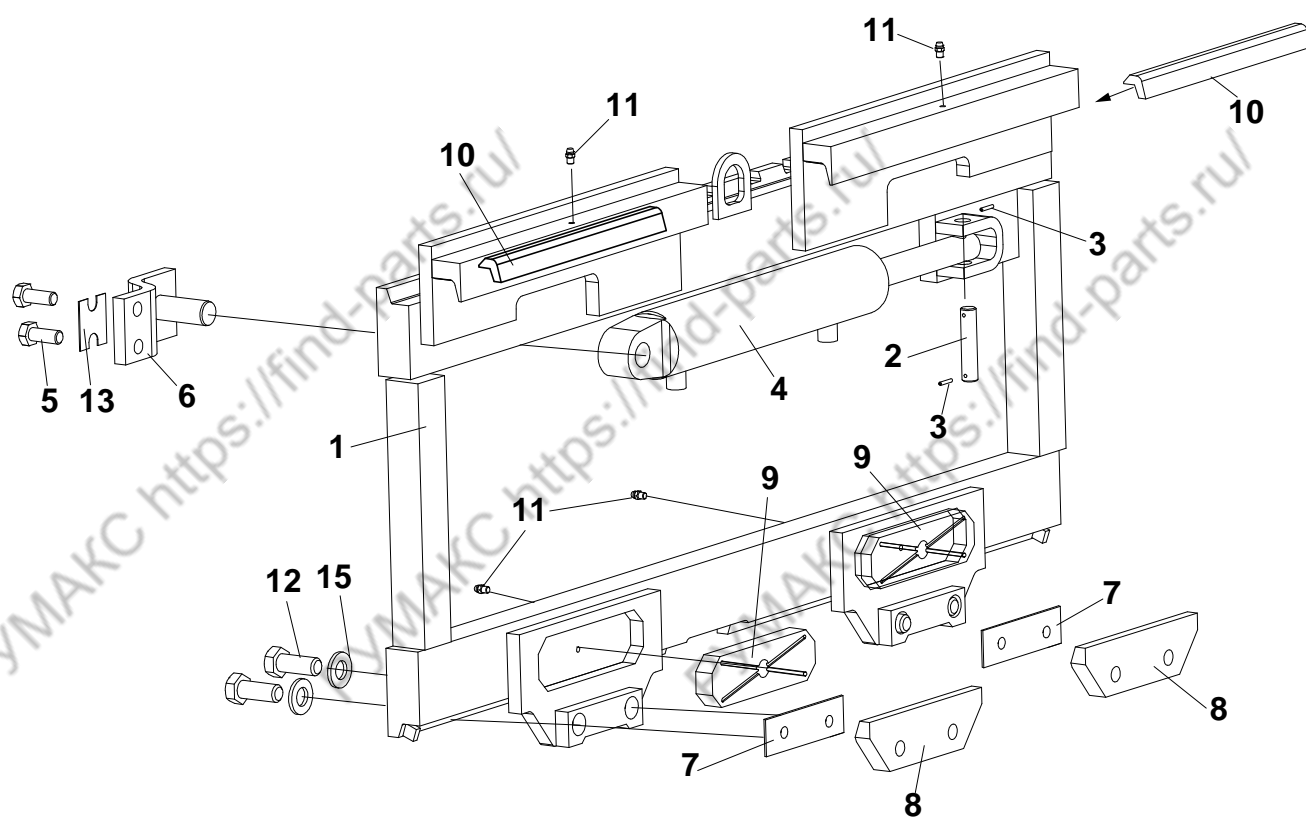


D15/18S5 D20SC-5

FIG.9-150-0

A276118 Mounting Gp - Carriage

NOTE	ITEM NO.	PART NUMBER	QTY	DESCRIPTION	CHANGE CODE	START SERIAL NO.					
						EM0UT	EM0UU	FDA01	FDA02	FDA03	-
H	1	D580006	6	Bearing(0.5 Under Size)							
H		D580007	6	Bearing(STD Size)							
H		D580008	6	Bearing(0.5 Over Size)							
B	2	D580001	18	Shim							
B	3	D580002	24	Shim							
	4	S2218063	1	Bolt							
	5	S5010813	3	Washer							
	8	D700083	2	Retainer							
	9	D915017	2	Screw							
	10	A276119	2	Roller							
	11	A276120	2	Bushing							
	12	A276121	2	Pin-Adjust							
	13	S0521861	2	Bolt							
	14	D917097	4	Washer							

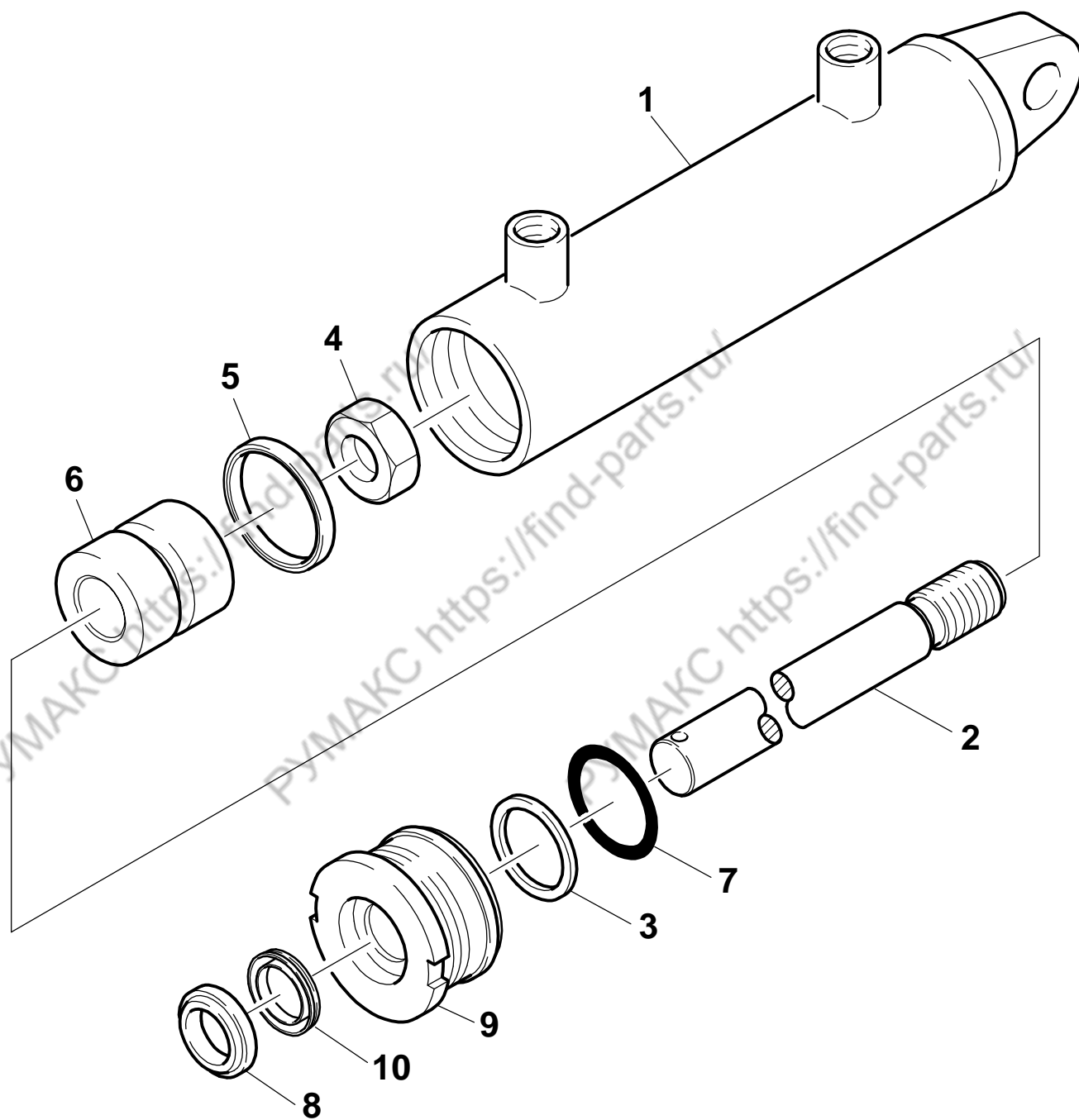


D15/18S5 D20SC-5

FIG.9-160-0

A256015 Side Shifter Gp

NOTE	ITEM NO.	PART NUMBER	QTY	DESCRIPTION	CHANGE CODE	START SERIAL NO.				
						EM0UT	EM0UU	FDA01	FDA02	FDA03
Y	1	A276153	1	Side Shift Carriage Ass. ʹy						
	2	D582478	1	Pin						
	3	S180653H	2	Snap Pin						
	4	D144202	1	Cylinder Ass. ʹy-Side Shift						
	5	S0515263	2	Bolt						
	6	D582482	1	Bracket Ass. ʹy						
	7	A216651	2	Shim						
	8	A216635	2	Bar-Hook						
	9	A156241	2	Pad						
	10	D582486	2	Pad						
	11	D909174	4	Fitting-Lube						
	12	S0521463	4	Bolt						
	13	D582488	5	Shim						
	15	D917097	4	Washer						

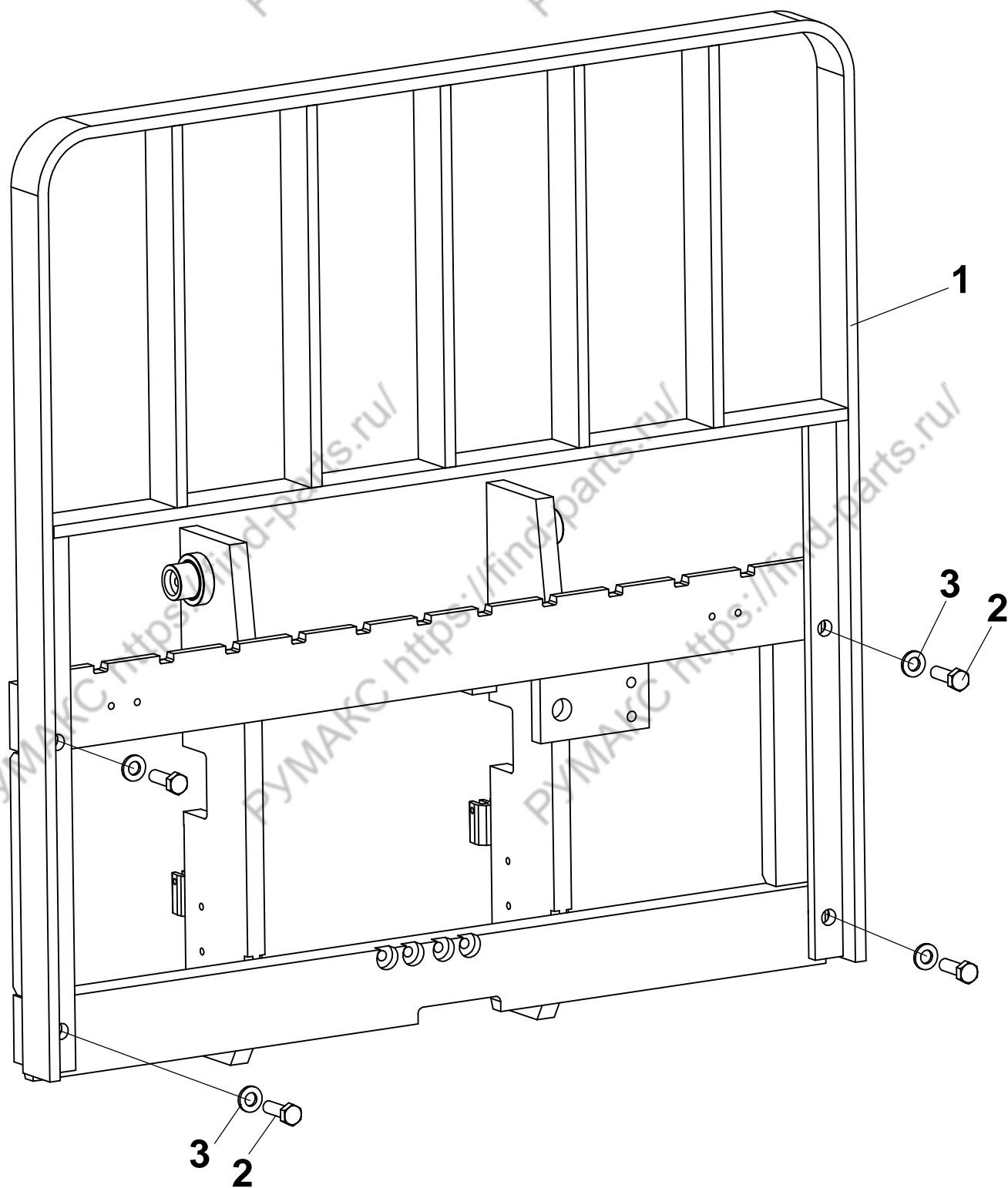


D15/18S5 D20SC-5

FIG.9-160-1

D144202 Cylinder Ass. 7y - Side Shifter

NOTE	ITEM NO.	PART NUMBER	QTY	DESCRIPTION	CHANGE CODE	START SERIAL NO.					
						EMOUT	EMOUU	FDA01	FDA02	FDA03	-
	1	D510856	1	Tube Ass. 7y							
	2	D144207	1	Rod							
J	3	D501196	1	Ring							
	4	D501239	1	Nut-Self Locking							
J	5	D510847	1	Seal Ass. 7y							
	6	D510849	1	Piston							
J	7	D501197	1	Seal-O-Ring							
J	8	D501201	1	Seal-Wiper							
	9	D510855	1	Head							
J	10	D510049	1	Seal-U-Cup							
				.							
				The Following Repair Kit Is Available ;							
		D510852	1	Kit-Seal							
				(Includes Parts Marked J)							



D15/18S5 D20SC-5

FIG.9-170-0

Load Backrest

NOTE	ITEM NO.	PART NUMBER	QTY	DESCRIPTION	CHANGE CODE	START SERIAL NO.					
						EM0UT	EM0UU	FDA01	FDA02	FDA03	-
	1	A256014	1	Backrest Ass. 7y							
	2	S0560563	4	Bolt							
	3	D917091	4	Washer							

D15/18S5 D20SC-5

FIG.9-180-0

Integral Side Shifter Part 1 of 2

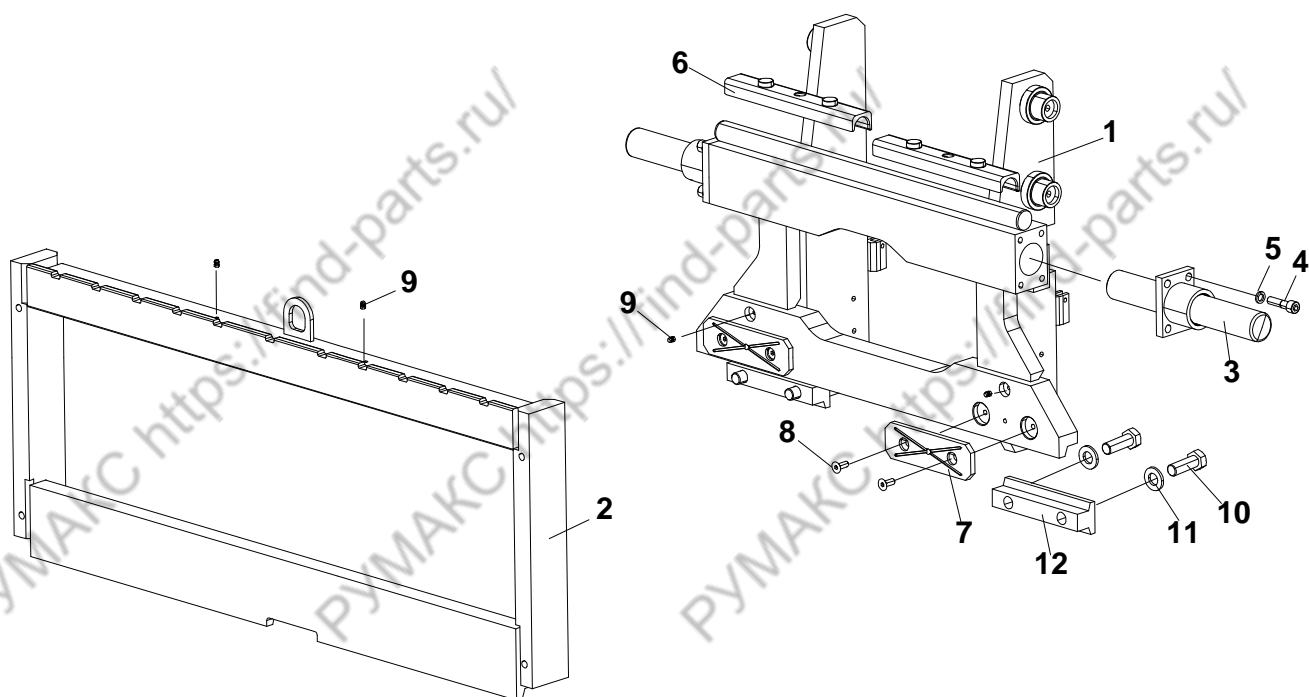
NOTE	ITEM NO.	PART NUMBER	QTY	DESCRIPTION	CHANGE CODE	START SERIAL NO.				
						EM0UT	EM0UU	FDA01	FDA02	FDA03
Z		D800461		Carriage AR.-Integral Side Shifter(STD)						
Y		D872910	1	Carriage Gp						
Y		D872945	1	Lines Gp						
Y		A276118	1	Mounting Gp-Carriage						
				.						
Z		D800598		Carriage AR.-Integral Side Shifter(FFL)						
Y		D872917	1	Carriage Gp						
Y		D872946	1	Lines Gp						
Y		A276118	1	Mounting Gp-Carriage						
				.						
Z		D801337		Carriage AR.-Integral Side Shifter(FFT)						
Y		D872919	1	Carriage Gp						
Y		D872946	1	Lines Gp						
Y		A276118	1	Mounting Gp-Carriage						

D15/18S5 D20SC-5

FIG.9-180-0

Integral Shifting - Fork Positioner Part 2 of 2

NOTE	ITEM NO.	PART NUMBER	QTY	DESCRIPTION	CHANGE CODE	START SERIAL NO.				
						EM0UT	EM0UU	FDA01	FDA02	FDAC
Z		D800721		Integral Shifting Fork Positioner Ar.(-STD)						
Z		D871215		Integral Shifting Fork Positioner Gp						
		D871213	1	Carriage Ass. ʹy						
		D870848	1	Cage Ass. ʹy-LH						
		D870862	1	Cage Ass. ʹy-RH						
Y		D871056	1	Mounting Gp-Fork Positioner						
Y		A276118	1	Mounting Gp-Carriage						
Y		D871216	1	Lines Gp-Carriage						
Y		D800875	1	Backrest Gp						
		.								
Z		D801373		Integral Shifting Fork Positioner Ar.(FFL)						
Z		D871709		Integral Shifting Fork Positioner Gp						
		D871710	1	Carriage Ass. ʹy						
		D870848	1	Cage Ass. ʹy-LH						
		D870862	1	Cage Ass. ʹy-RH						
Y		D871056	1	Mounting Gp-Fork Positioner						
Y		A276118	1	Mounting Gp-Carriage						
Y		D871712	1	Lines Gp-Carriage						
Y		D800875	1	Backrest Gp						
		.								
Z		D801336		Integral Shifting Fork Positioner Ar.(FFT)						
Z		D871640		Integral Shifting Fork Positioner Gp						
		D871646	1	Carriage Ass. ʹy						
		D870848	1	Cage Ass. ʹy-LH						
		D870862	1	Cage Ass. ʹy-RH						
Y		D871056	1	Mounting Gp-Fork Positioner						
Y		A276118	1	Mounting Gp-Carriage						
Y		D871641	1	Lines Gp-Carriage						
Y		D800875	1	Backrest Gp						

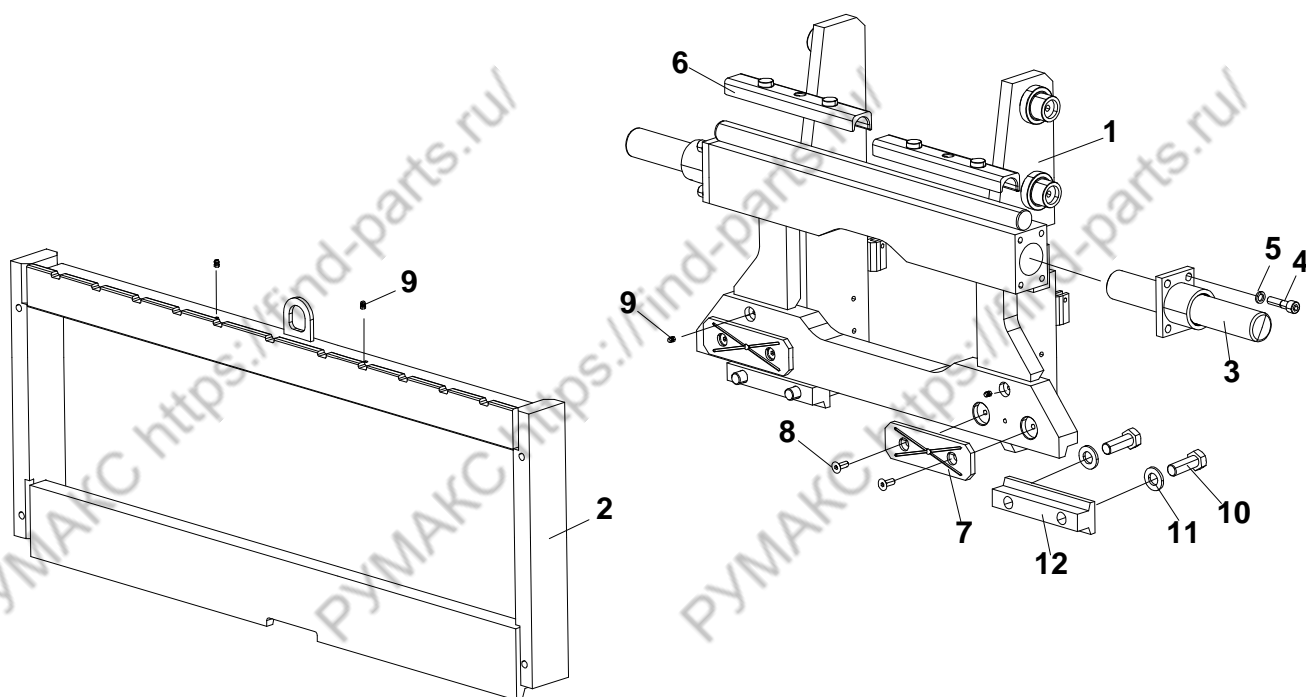


D15/18S5 D20SC-5

FIG.9-190-0

D872910 Carriage Gp - STD

NOTE	ITEM NO.	PART NUMBER	QTY	DESCRIPTION	CHANGE CODE	START SERIAL NO.					
						EM0UT	EM0UU	FDA01	FDA02	FDA03	-
Y	1	D872911	1	Bracket Ass. 7y(STD)							
	2	D872913	1	Carriage Ass. 7y							
	3	D870191	2	Side Shifter Cylinder							
	4	S2212461	8	Bolt							
	5	S5110603	8	Washer							
	6	D870195	2	Pad-Sliding							
	7	D871976	2	Pad-Lower							
	8	D915031	4	Screw							
	9	S6710021	4	Fitting							
	10	S0521551	4	Bolt							
	11	D917097	4	Washer							
	12	D871978	2	Hook-Lower							

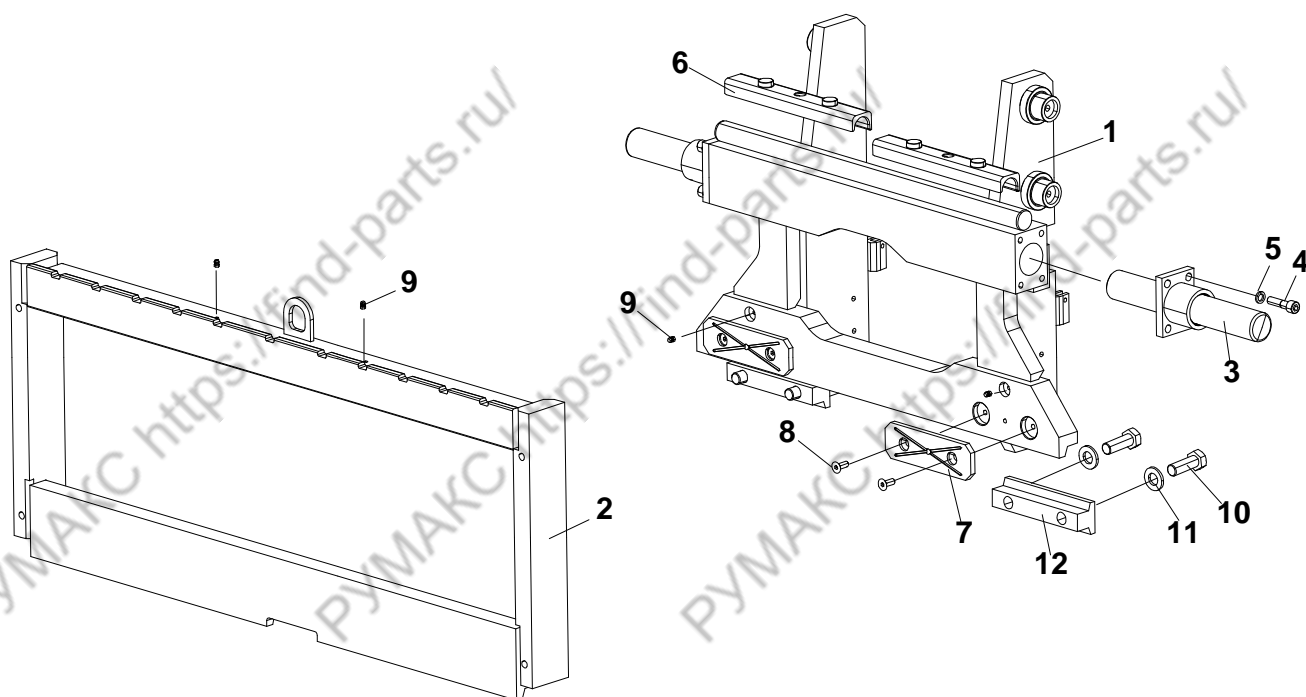


D15/18S5 D20SC-5

FIG.9-190-0

D872917 Carriage Gp - FFL

NOTE	ITEM NO.	PART NUMBER	QTY	DESCRIPTION	CHANGE CODE	START SERIAL NO.					
						EMOUT	EMOUU	FDA01	FDA02	FDA03	-
Y	1	D872918	1	Bracket Ass. 7y(FFL)							
	2	D872913	1	Carriage Ass. 7y							
	3	D870191	2	Side Shifter Cylinder							
	4	S2212461	8	Bolt							
	5	S5110603	8	Washer							
	6	D870195	2	Pad-Sliding							
	7	D871976	2	Pad-Lower							
	8	D915031	4	Screw							
	9	S6710021	4	Fitting							
	10	S0521551	4	Bolt							
	11	D917097	4	Washer							
	12	D871978	2	Hook-Lower							

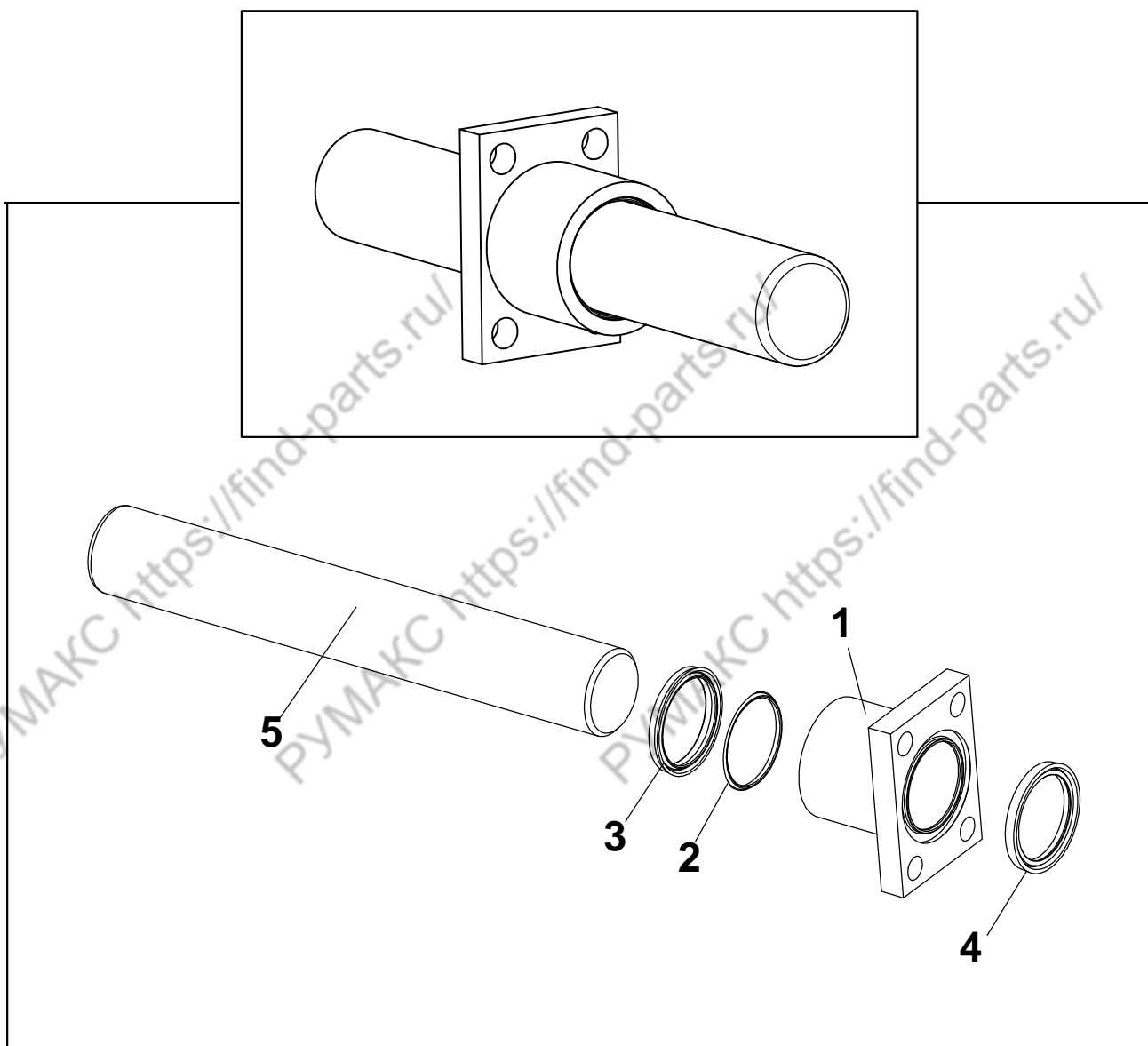


D15/18S5 D20SC-5

FIG.9-190-0

D872919 Carriage Gp - FFT

NOTE	ITEM NO.	PART NUMBER	QTY	DESCRIPTION	CHANGE CODE	START SERIAL NO.					
						EMOUT	EM0UU	FDA01	FDA02	FDA03	-
Y	1	D872920	1	Bracket Ass. 7y(FFT)							
	2	D872913	1	Carriage Ass. 7y							
	3	D870191	2	Side Shifter Cylinder							
	4	S2212461	8	Bolt							
	5	S5110603	8	Washer							
	6	D870195	2	Pad-Sliding							
	7	D871976	2	Pad-Lower							
	8	D915031	4	Screw							
	9	S6710021	4	Fitting							
	10	S0521551	4	Bolt							
	11	D917097	4	Washer							
	12	D871978	2	Hook-Lower							

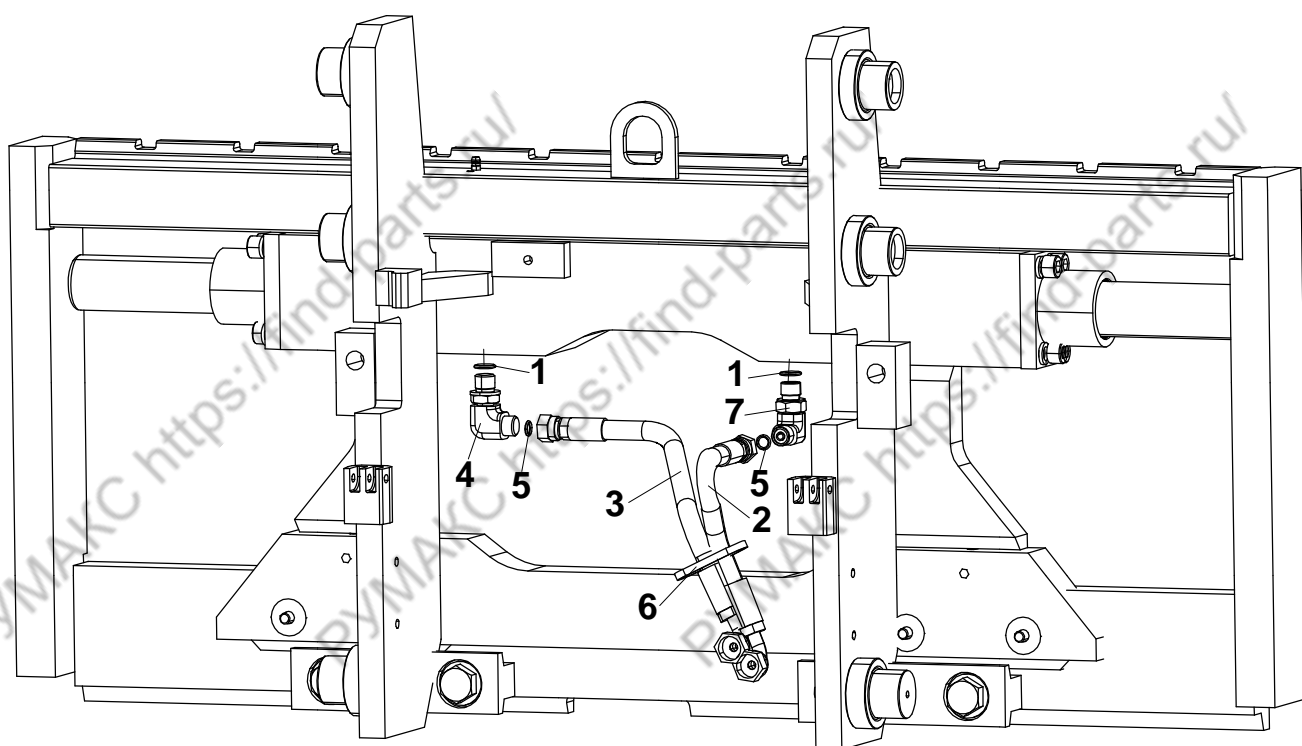


D15/18S5 D20SC-5

FIG.9-190-1

D870191 Side Shifter Cylinder

NOTE	ITEM NO.	PART NUMBER	QTY	DESCRIPTION	CHANGE CODE	START SERIAL NO.					
						EM0UT	EM0UU	FDA01	FDA02	FDA03	-
	1	D870192	1	Rod Cover							
J	2		1	Seal-U-Cup							
J	3		1	Dust Wiper							
J	4		1	O-Ring							
	5	D870193	1	Rod							
		D870350	1	Kit-Seal							
				(Includes Parts Marked J)							

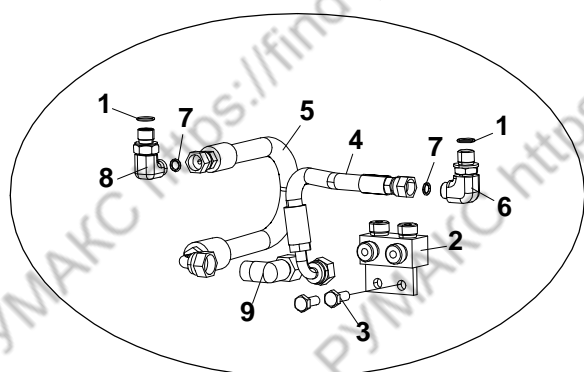


D15/18S5 D20SC-5

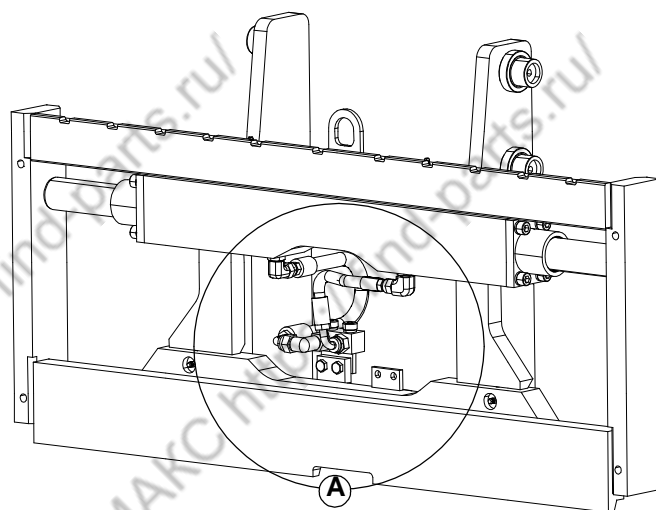
FIG.9-200-0

D872945 Lines Gp - STD

NOTE	ITEM NO.	PART NUMBER	QTY	DESCRIPTION	CHANGE CODE	START SERIAL NO.					
						EM0UT	EM0UU	FDA01	FDA02	FDA03	-
	1	S8040061	2	O-Ring							
	2	A216457	1	Hose Ass. ʘy							
	3	A216458	1	Hose Ass. ʘy							
	4	D902004	2	Elbow							
	5	S8030041	2	O-Ring							
	6	D580786	1	Strap							
	7	D902238	1	Elbow							



View A

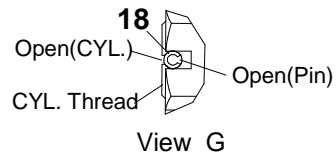
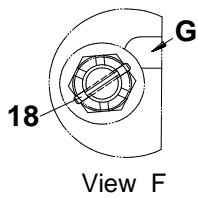
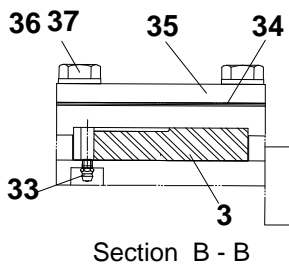
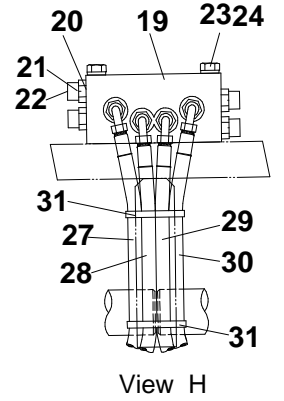
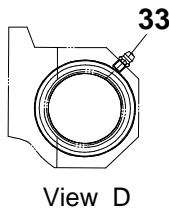
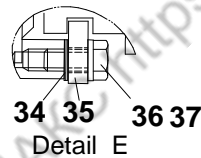
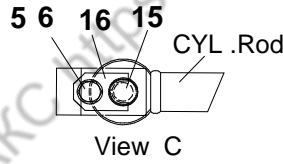
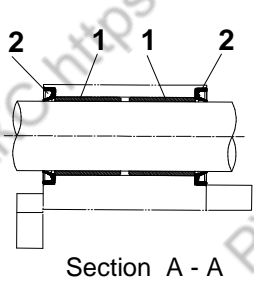
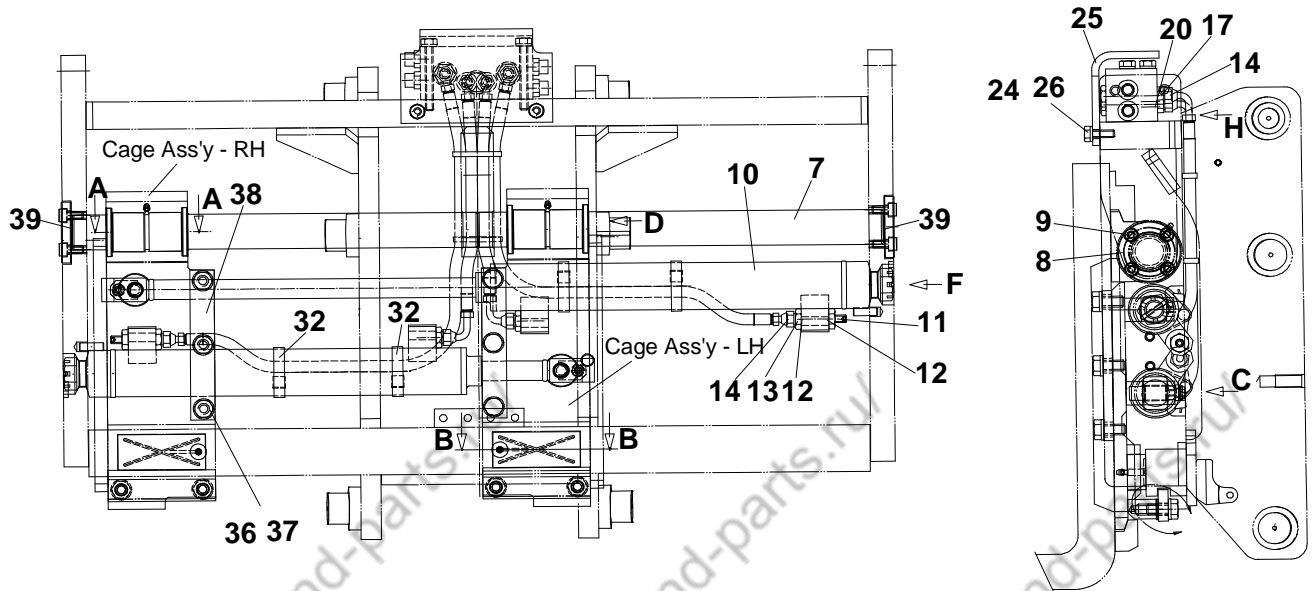


D15/18S5 D20SC-5

FIG.9-210-0

D872946 Lines Gp - FFL, FFT

NOTE	ITEM NO.	PART NUMBER	QTY	DESCRIPTION	CHANGE CODE	START SERIAL NO.					
						EM0UT	EM0UU	FDA01	FDA02	FDA03	-
	1	S8040061	2	O-Ring							
	2	D584252	1	Block							
	3	S0508863	2	Bolt							
	4	A216457	1	Hose Ass. ʹy							
	5	D584017	1	Hose Ass. ʹy							
	6	D902004	2	Elbow							
	7	S8030041	2	O-Ring							
	8	D902238	1	Elbow							
	9	D580113	1	Elbow							

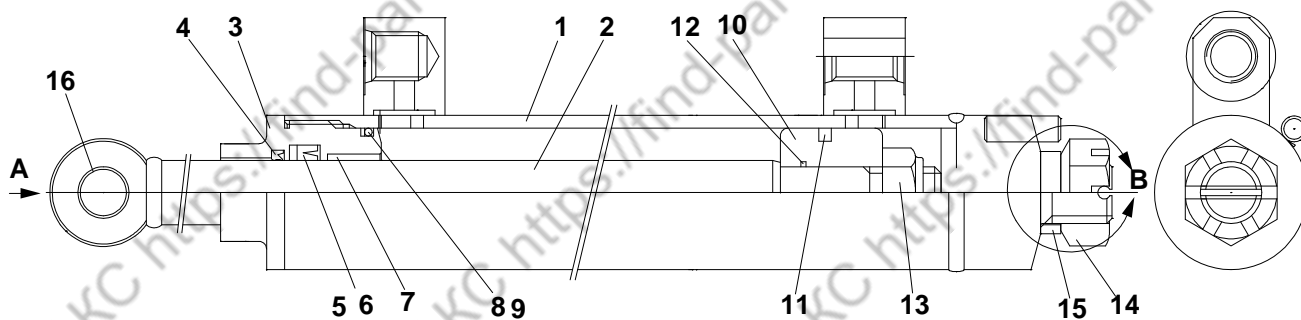


D15/18S5 D20SC-5

FIG.9-220-0

D871056 Mounting Gp - Fork Positioner

NOTE	ITEM NO.	PART NUMBER	QTY	DESCRIPTION	CHANGE CODE	START SERIAL NO.					
						EM0UT	EM0UU	FDA01	FDA02	FDA03	-
	1	D582615	4	Bearing							
	2	D582614	4	Seal							
	3	D870870	2	Pad							
	5	S0508563	2	Bolt							
	6	D917168	2	Washer							
	7	D870866	2	Shaft							
	8	D870869	2	Cover							
	9	S2211863	8	Bolt							
Y	10	D870775	2	Cylinder Ass. y							
	11	D870772	2	Restrictor Ass. y							
	12	S8040081	6	O-Ring							
	13	D905016	4	Connector							
	14	S8030041	8	O-Ring							
	15	D870873	2	Pin							
	16	D870888	2	Plate							
	17	D905014	4	Connector							
	18	S5740830	2	Pin							
	19	D870936	1	Check Valve Gp							
	20	S8040061	8	O-Ring							
	21	D905037	4	Connector							
	22	S8030061	4	O-Ring							
	23	S0513363	2	Bolt,Hex							
	24	D917093	4	Washer-Hard							
	25	D870965	1	Cover							
	26	S0512263	2	Bolt							
	27	DS2013430	1	Hose Ass. y							
	28	DS2023140	1	Hose Ass. y							
	29	DS2023141	1	Hose Ass. y							
	30	DS2013431	1	Hose Ass. y							
	31	D580786	2	Strap							
	32	D320087	4	Strap							
	33	S6710021	4	Fitting							
	34	D870872	6	Shim							
	35	D870871	2	Plate							
	36	S0518263	10	Bolt							
	37	D917270	10	Washer							
	38	D870874	2	Plate							
	39	D700913	6	Shim							

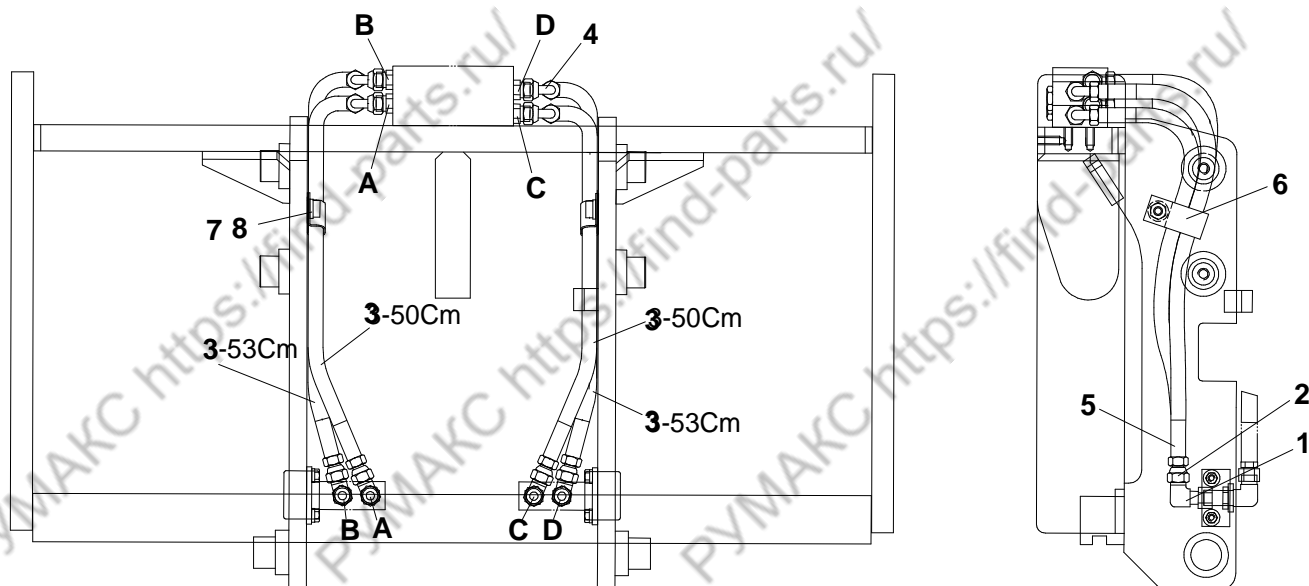


D15/18S5 D20SC-5

FIG.9-220-1

D870775 Cylinder Ass. 7y

NOTE	ITEM NO.	PART NUMBER	QTY	DESCRIPTION	CHANGE CODE	START SERIAL NO.					
						EMOUT	EM0UU	FDA01	FDA02	FDA03	-
		D870815		Cylinder Ass'y(BSC)							
	1	D512051	1	Tube Ass. 7y							
	2	D512052	1	Rod Cover							
	3	110508-00497	1	Rod Cover							
J	4	D501201	1	Seal-Wiper							
J	5	D510049	1	Seal-U-Cup							
J	6	D510366	1	Ring-Back Up							
	7	D511898	1	DU-Bush							
J	8	D501838	1	Seal-O-Ring							
J	9	D500810	1	Ring-Back Up							
	10	D501207	1	Piston							
J	11	D501208	1	Seal-Slipper							
J	12	D501194	1	Seal-O-Ring							
	13	D510658	1	Nut-Hex Nylon							
	14	D870774	1	Nut							
	15	D870773	1	Spacer							
	16	D510660	1	DU-Bush							
		D870951	1	Seal Kit (Includes Parts Marked J)							



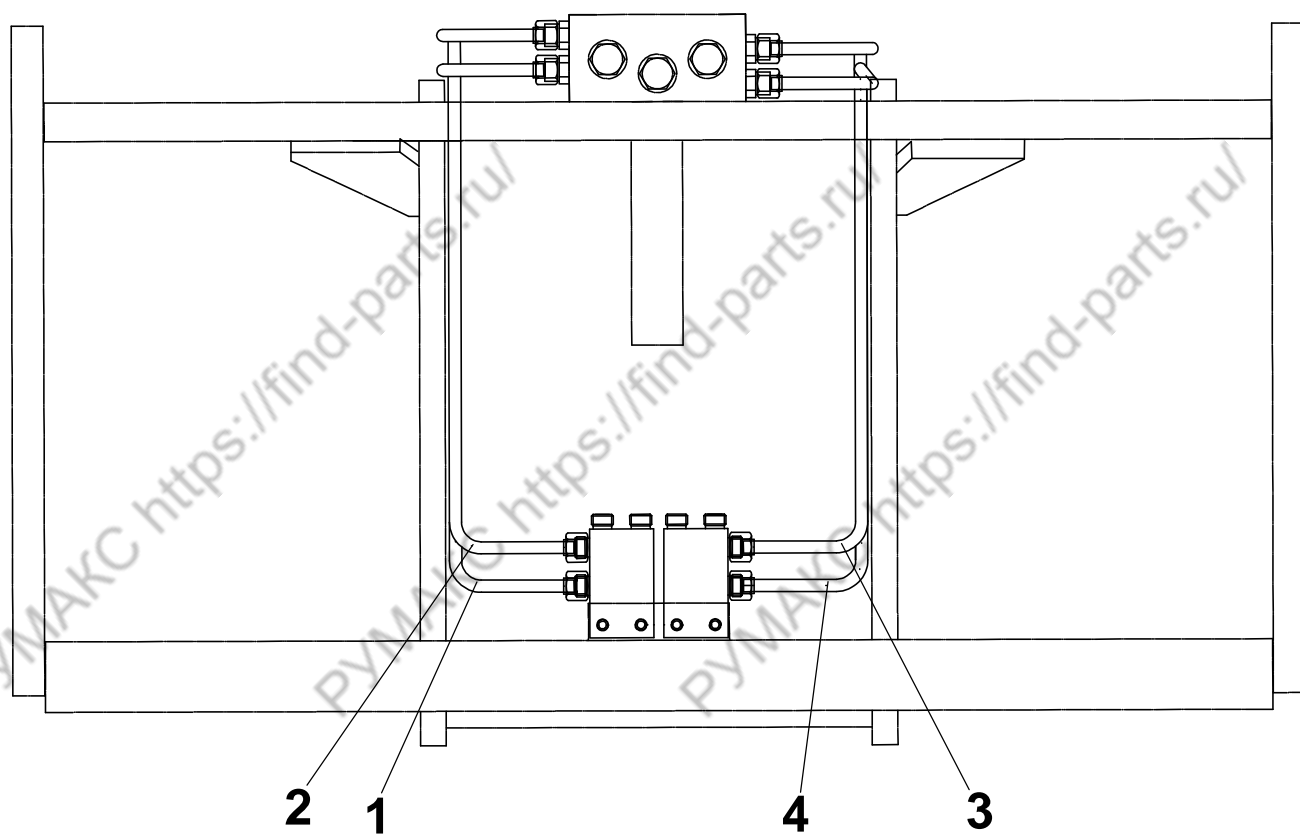
D15/18S5 D20SC-5

FIG.9-230-0

D871216 Lines Gp - Carriage - STD

NOTE	ITEM NO.	PART NUMBER	QTY	DESCRIPTION	CHANGE CODE	START SERIAL NO.					
						EM0UT	EM0UU	FDA01	FDA02	FDA03	-
	1	D580113	4	Elbow							
	2	S8030061	4	O-Ring							
E	3	A516655	206	Hose-Bulk	R	0001~	0001~				
C,E		420105-00384	218	Hose-Bulk							
	4	D909126	4	Coupling	R	0001~	0001~				
C		430210-00131	4	Coupling							
	5	D909124	4	Coupling	R	0001~	0001~				
C		430210-00129	4	Coupling							
	6	D580399	2	Clip							
	7	S0512263	2	Bolt							
	8	D917093	2	Washer							

<https://find-parts.ru/>
<https://find-parts.ru/>
<https://find-parts.ru/>



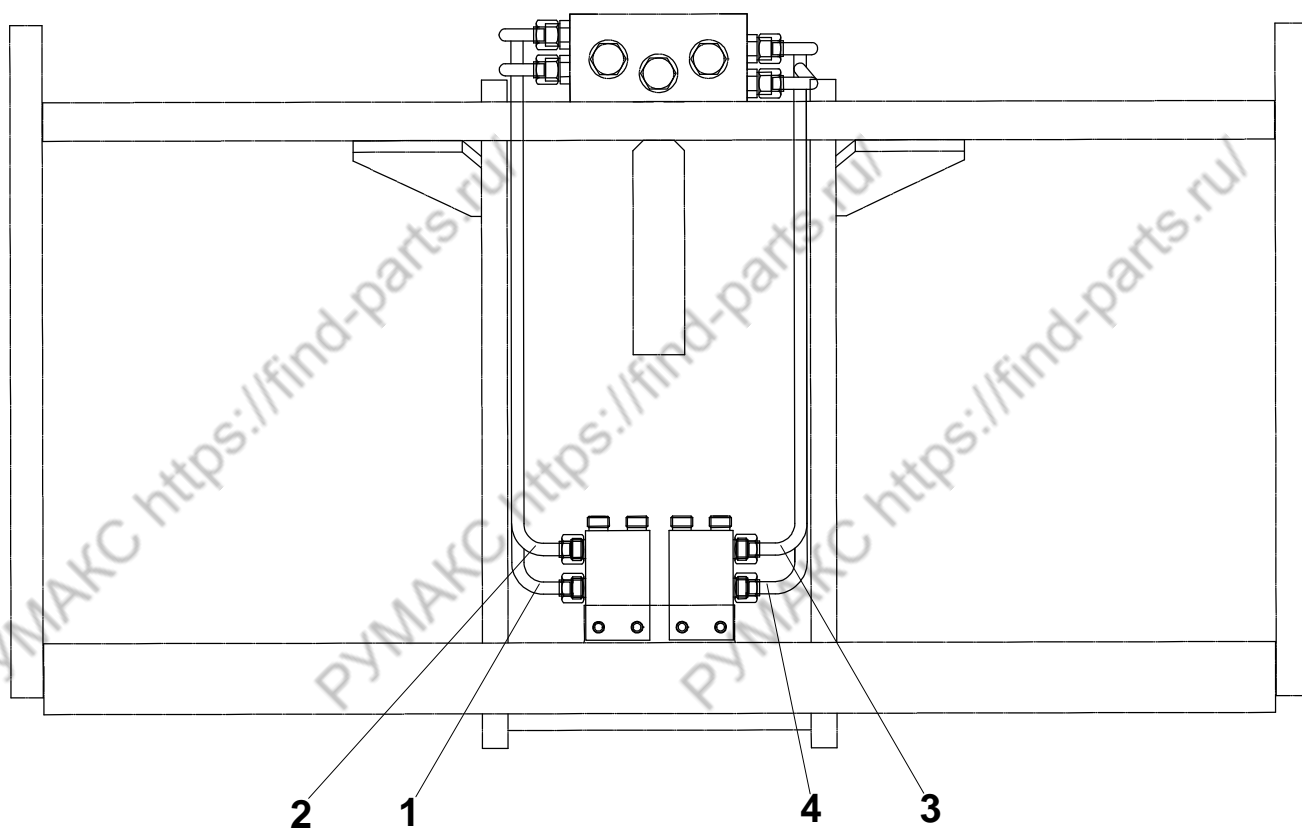
D15/18S5 D20SC-5

FIG.9-240-0

D871712 Lines Gp - Carriage - FFL

NOTE	ITEM NO.	PART NUMBER	QTY	DESCRIPTION	CHANGE CODE	START SERIAL NO.					
						EM0UT	EM0UU	FDA01	FDA02	FDA03	-
	1	D871713	1	Tube Ass. ʹy							
	2	D871714	1	Tube Ass. ʹy							
	3	D871715	1	Tube Ass. ʹy							
	4	D871716	1	Tube Ass. ʹy							

[PYMAKC https://find-parts.ru/](https://find-parts.ru/)
[PYMAKC https://find-parts.ru/](https://find-parts.ru/)
[PYMAKC https://find-parts.ru/](https://find-parts.ru/)
<https://find-parts.ru/>
<https://find-parts.ru/>
<https://find-parts.ru/>



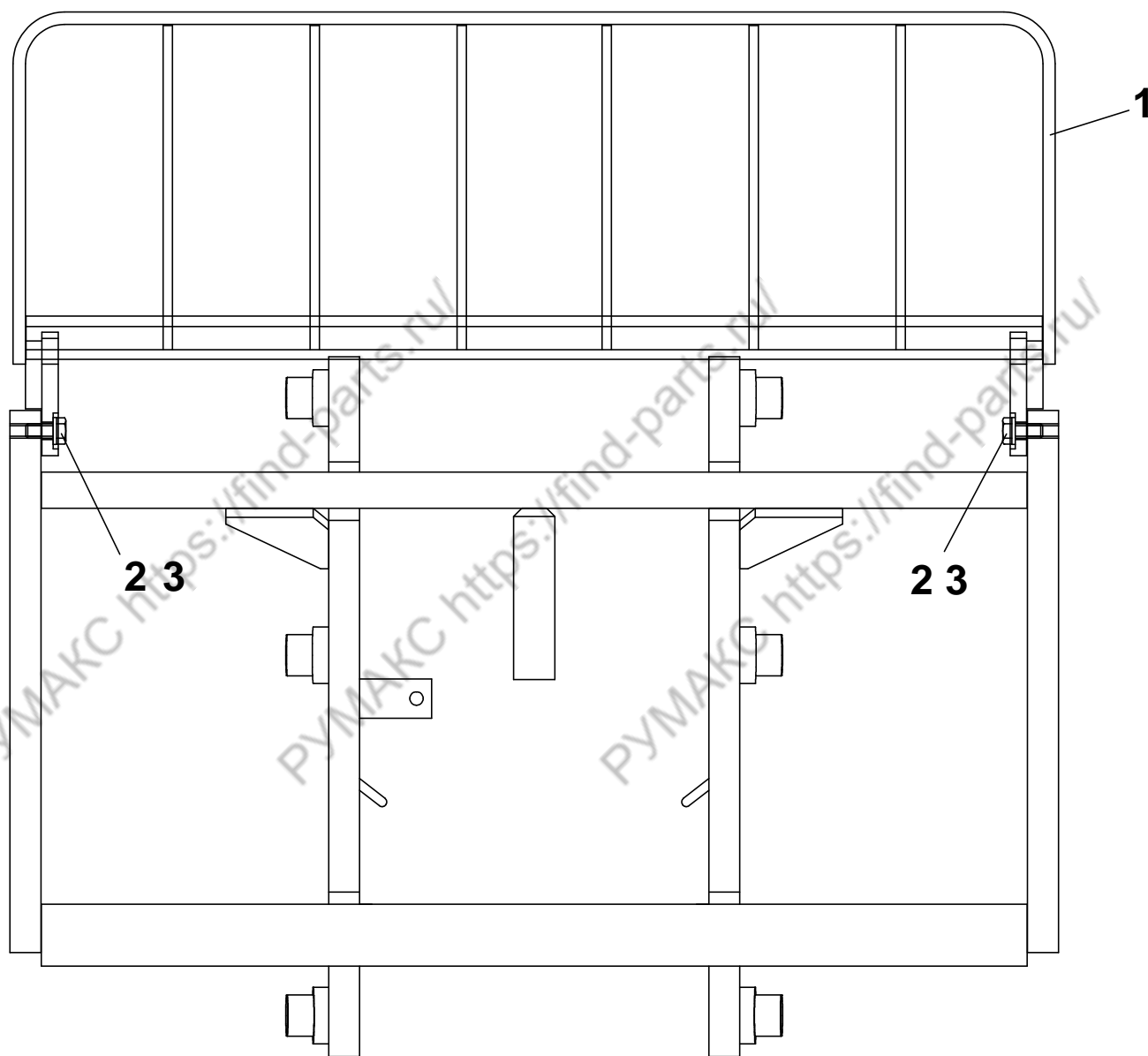
D15/18S5 D20SC-5

FIG.9-250-0

D871641 Lines Gp - Carriage - FFT

NOTE	ITEM NO.	PART NUMBER	QTY	DESCRIPTION	CHANGE CODE	START SERIAL NO.					
						EM0UT	EM0UU	FDA01	FDA02	FDA03	-
	1	D871642	1	Tube Ass. ʹy							
	2	D871643	1	Tube Ass. ʹy							
	3	D871644	1	Tube Ass. ʹy							
	4	D871645	1	Tube Ass. ʹy							

[PYMAKC https://find-parts.ru/](https://find-parts.ru/)
[PYMAKC https://find-parts.ru/](https://find-parts.ru/)
[PYMAKC https://find-parts.ru/](https://find-parts.ru/)
<https://find-parts.ru/>
<https://find-parts.ru/>
<https://find-parts.ru/>

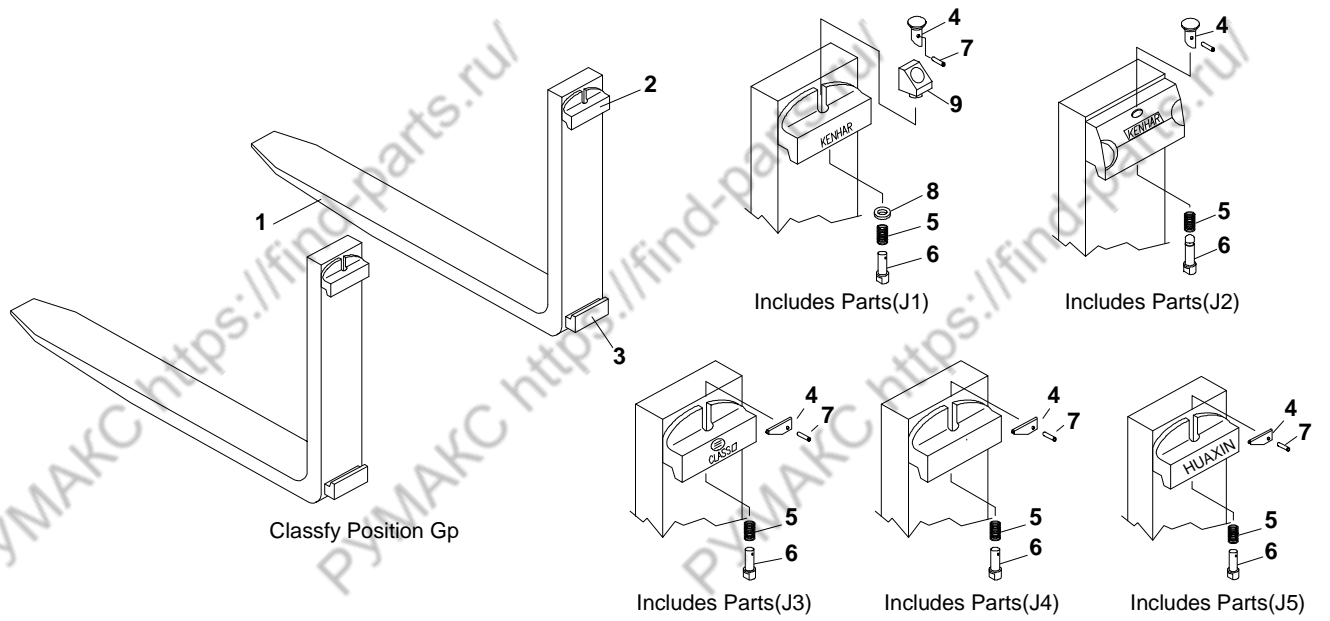


D15/18S5 D20SC-5

FIG.9-260-0

D800875 Backrest Gp - Fork Positioner

NOTE	ITEM NO.	PART NUMBER	QTY	DESCRIPTION	CHANGE CODE	START SERIAL NO.					
						EM0UT	EM0UU	FDA01	FDA02	FDA03	-
	1	D871207	1	Backrest As For Shifting							
	2	S0518263	4	Bolt							
	3	D917270	4	Washer-Hard							



D15/18S5 D20SC-5

FIG.9-270-0

Fork Group

NOTE	ITEM NO.	PART NUMBER	QTY	DESCRIPTION	CHANGE CODE	START SERIAL NO.				
						EMOUT	EM0UU	FDA01	FDA02	FDA03
	1			1.0-1.8 Ton Truck						
		D580052	1	Fork (900 mm Long)						
		D580460	1	Fork (950 mm Long)						
		D580461	1	Fork (1000 mm Long)						
		D580462	1	Fork (1050 mm Long)						
		D580463	1	Fork (1150 mm Long)						
		D580464	1	Fork (1200 mm Long)						
		D580465	1	Fork (1350 mm Long)						
		D580466	1	Fork (1500 mm Long)						
		D580467	1	Fork (1600 mm Long)						
				2.0 Ton Truck						
		D580053	1	Fork (900 mm Long)						
		D580469	1	Fork (950 mm Long)						
		D580470	1	Fork (1000 mm Long)						
		D580471	1	Fork (1050 mm Long)						
		D580472	1	Fork (1150 mm Long)						
		D580473	1	Fork (1200 mm Long)						
		D580474	1	Fork (1350 mm Long)						
		D580475	1	Fork (1500 mm Long)						
		D580476	1	Fork (1600 mm Long)						
Z	2			Hook-Lower						
Z	3			Hook-Upper						
		D390046	1	The Following Repair Group Is Available (Includes Parts Marked J1) Repacking Group (1.5/2.0 Ton)						
J1	4	D391147	1	Knob						
J1	5	D391882	1	Spring						
J1	6	D391149	1	Pin						
J1	7	D391148	1	Pin-Roll						
J1	8	D391152	1	Washer						
J1	9	D391153	1	Block						
		D391144	1	Repacking Group(1.5/2 Ton) (Includes Parts Marked J2)						
J2	4	D391147	1	Knob						
J2	5	D391882	1	Spring						
J2	6	D391149	1	Pin						
J2	7	D391148	1	Pin-Roll						
		D391845	1	Repacking Group(1.5/2 Ton) (Includes Parts Marked J3)						
J3	4	D391849	1	Lever						
J3	5	D391847	1	Spring						
J3	6	D391846	1	Pin-Stop						
J3	7	D391848	1	Pin-Roll						
		D391850	1	Repacking Group(1.5/2 Ton) (Includes Parts Marked J4)						
J4	4	D391854	1	Lever						
J4	5	D391852	1	Spring						
J4	6	D391851	1	Pin-Stop						
J4	7	D391853	1	Pin-Roll						

D15/18S5 D20SC-5

FIG.9-270-0

Fork Group

NOTE	ITEM NO.	PART NUMBER	QTY	DESCRIPTION	CHANGE CODE	START SERIAL NO.					
						EM0UT	EM0UU	FDA01	FDA02	FDA03	-
		400820-00006	1	Repacking Group(1.5/2 Ton) (Includes Parts Marked J5)							
J5	4	101101-00087	1	Knob							
J5	5	111601-00164	1	Spring							
J5	6	120501-00549	1	Pin							
J5	7	120501-00548	1	Pin-Roll							