

**Yale**<sup>®</sup>

***Industrial Trucks***

**Parts Manual**

**CHASSIS**

**MODEL GP/GLP/GDP15-35AK/RK/TK (C812)(B871)**

PDF edition

Jul 16, 2015

## Parts Manual PDF edition

This is a Parts Manual PDF editon.

It is created by Application Program automatically.

This is provided to users for which Internet access is difficult.

TRD direct access is recommended for Internet available users.

# DETAILED OF SPARE PARTS

In this parts list appear the details relating to the component and accessory parts for GP/GLP/GTP/GDP15,18,20AK(E), GP/GLP/GTP/GDP20,25,30,35RK/TK(E) models. When placing an order, please specify precisely the truck serial number, part number, description and quantity.

**[1] This list includes the following indications :**

- Item ..... The items are numbers allocated in the illustrations of each part.  
Ex.: 1-, 2-
- Part No. .... The numbers allocated in each part are indicated.
- Description ... The name of each component part is indicated.  
This column also comprises items as follows.
  - (1) Minimum but necessary specifications
  - (2) Indication of the category to which the parts are related
  - (3) When names of parts start by (NA), the parts are not supplied.  
Due to space, they may be mentioned in the column provided for remarks.
- Quantity ..... The required number of parts is stated. The items marked with AR are used for the required quantity of parts which varies as the case may be.  
The figures coming with an asterisk (\*) show the maximum number of parts to be used and the quantity for use should stand in this limit.
- Remarks ..... In this column are included the following particulars : Applying model ...  
Indication of the applying engine or model Mention of the successive changes which have been made (refer to paragraph entitled "Exchange of parts").  
Specifications (see the item concerning the abbreviations)  
Other reference items

**[2] "Right hand" and "Left hand" references contained in the parts list are determined in relation to the forward motion of the fork lift truck.**

**[3] The abbreviations used in the list have the following meanings :**

Abbreviations	Meanings
W/	With
W/O	Without
NSS	Not Supplied Separately
NA	No longer Available
INCL.	Including
SEE PAGE	Refers to the specification page
GAS	Gasoline-powered truck
LPG	LPG-powered truck
DUAL FUEL	Dual Fuel-powered truck
DSL	Diesel-powered truck
A.T.	Automatic Transmission truck
R.H.	Right hand
L.H.	Left hand
CLY.	Cylinder
T/C	Torque Converter
SW.	Switch
T	Thickness
L	Length

AR... The required number of parts is stated. The items marked with AR are used for the required quantity of parts which varies as the case may be.
* ... The figures coming with an asterisk (*) show the maximum number of parts to be used and the quantity for use should stand in this limit.

#### [4] Exchange of parts

Note that the parts numbers are subject to change without notice.

- 1) When parts should be replaced and if there is no interchangeability, the numbers for parts of "late" and "early" types will be indicated. In this case, the truck model and the intervals for part exchange will be added.
- 2) In the above-mentioned case, the figures 1,2, etc. which mention the number of times the part exchange has been carried out will be appended to the reference numbers.

## HOW TO ORDER SERVICE PARTS

In order to avoid delay, unnecessary correspondence and to have your orders filled correctly, promptly and at the least possible expense, the following is the recommended procedure to use when ordering replacement parts.

## WHEN ORDERING PARTS

Contact your authorized *Yale* Dealer giving him the following information.

1. Your purchase order number.
2. Complete invoicing and shipping address.
3. Specify the method of shipment, otherwise the least expensive method will be used.
4. Correct part number(s) and description(s). Use your parts manual as a reference.
5. Model and serial number of the truck.

## IMPORTANT

Your parts manual contains alternate pages on certain parts. Please check your truck model on the nameplate and verify which of these items is correct. Specify the correct part number when placing your order.

Drive Unit	1.00
Steering System	2.00
Brake System	3.00
Frame and Body	4.00
Hydraulic System	5.00
Electrical System	6.00

## 1.00 Drive Unit

AUTOMATIC TRANSMISSION ASSY TO 2008.9 .....	1.00- 3
AUTOMATIC TRANSMISSION ASSY FROM 2008.10 TO 2010.7 .....	1.00- 7
AUTOMATIC TRANSMISSION ASSY FROM 2010.8 .....	1.00- 11
HYD. CLUTCH ASSY INNER PARTS .....	1.00- 15
GEAR PUMP ASSY INNER PARTS .....	1.00- 17
CONTROL VALVE ASSY INNER PARTS .....	1.00- 19
SOLENOID VALVE ASSY INNER PARTS .....	1.00- 21
TORQUE CONVERTER ASSY INNER PARTS .....	1.00- 23
END PLATE & FLYWHEEL FOR GP/GTP/GLP .....	1.00- 25
END PLATE & FLYWHEEL FOR GDP .....	1.00- 27
DRIVE AXLE FOR AK/AKE .....	1.00- 29
CENTER SECTION ASSY INNER PARTS FOR AK/AKE .....	1.00- 33
DIFFERENTIAL ASSY INNER PARTS FOR AK/AKE .....	1.00- 35
DRIVE AXLE FOR RK/TK/TKE .....	1.00- 37
CENTER SECTION ASSY INNER PARTS FOR RK/TK/TKE .....	1.00- 41
DIFFERENTIAL ASSY INNER PARTS FOR RK/TK/TKE .....	1.00- 45
UNIVERSAL JOINT GROUP .....	1.00- 47

1.00 Drive Unit

1.00

DRIVE TIRE

..... 1.00- 49

PYMAKC <https://find-parts.ru/>

PYMAKC <https://find-parts.ru/>

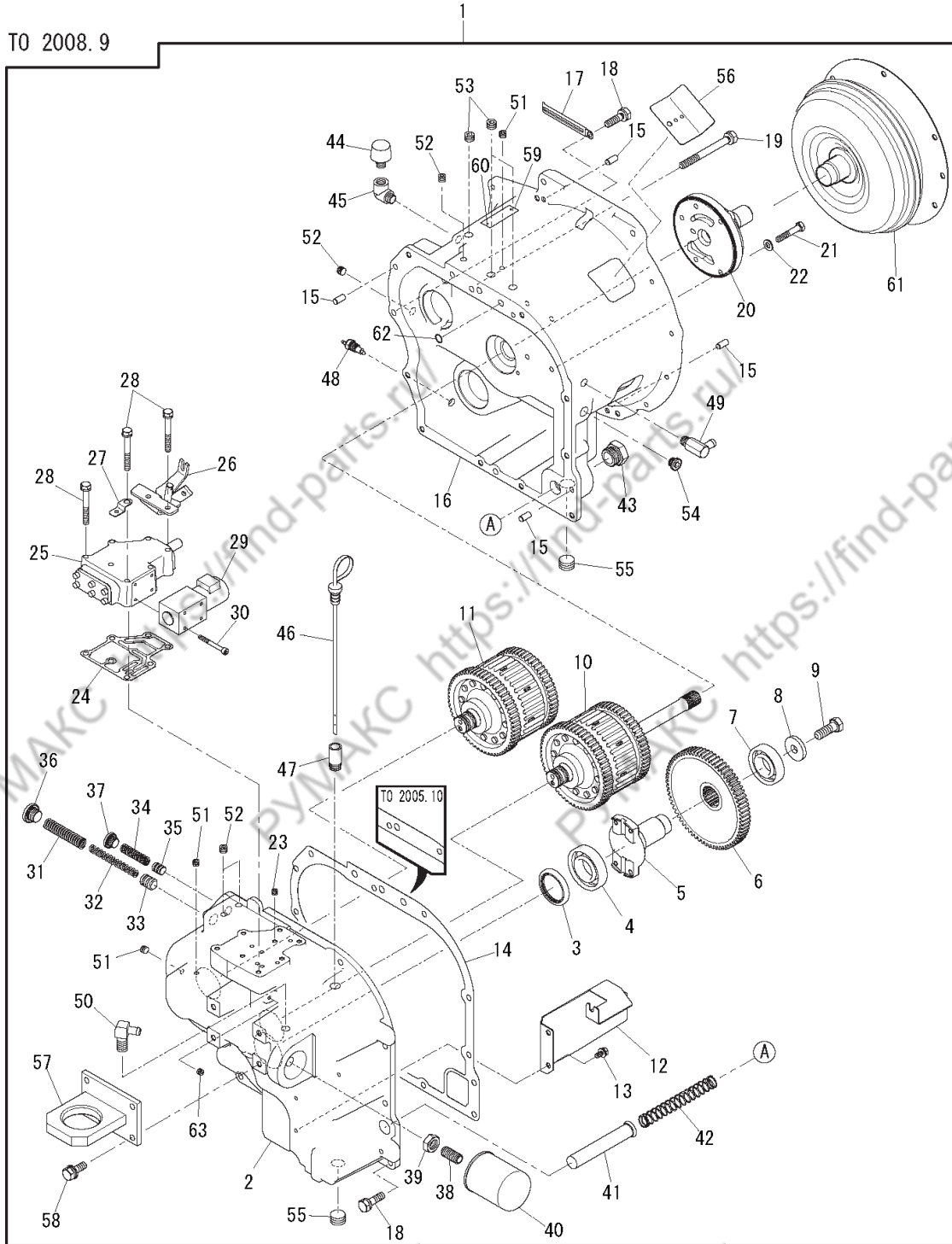
PYMAKC <https://find-parts.ru/>

<https://find-parts.ru/>

<https://find-parts.ru/>

<https://find-parts.ru/>

**AUTOMATIC TRANSMISSION ASSY TO 2008.9**



Service Bulletin	Change Item	Interchangeability
B-11359840A	Item 1, 2, 12, 13, 14, 16 18, 19, 21, 22, 46, 57	Refer to Service Bulletin
B-11453301	Item 2, 10, 11, 14, 16	Refer to Service Bulletin
B-11359770	Item 10, 11	Refer to Service Bulletin
B-115798	Item 15	Refer to Service Bulletin
B-119892	Item 25	Refer to Service Bulletin
B-116402	Item 29	Refer to Service Bulletin



**AUTOMATIC TRANSMISSION ASSY TO 2008.9**

Item	PartNo.	Description	Q'ty	Remarks
1-	5242454-98	(NA)AUTOMATIC TRANSMISSION ASSY	1	INCL.2-63 FE/F2/4TNE92
1-	5242454-99	(NA)AUTOMATIC TRANSMISSION ASSY	1	INCL.2-63 4TNE98
2-	5242457-56	(NA)CASE TRANSMISSION	1	TO 2005.10
2-	5242610-61	(NA)CASE TRANSMISSION	1	FROM 2005.11 TO 2006.9
2-	5242842-36	CASE TRANSMISSION	1	FROM 2006.10
3-	5242093-28	OIL SEAL	1	
4-	9099304-06	BEARING RADIAL BALL	1	
5-	5241940-63	SHAFT OUTPUT	1	
6-	5242241-62	(NA)GEAR OUTPUT	1	
6-	5242664-32	GEAR OUTPUT	1	
7-	9099304-14	BEARING RADIAL BALL	1	
8-	5241940-66	WASHER	1	
9-	9310169-05	BOLT	1	
10-	5242093-21	(NA)HYD. CLUTCH ASSY F	1	FOR FORWARD
10-	5242825-53	(NA)HYD. CLUTCH ASSY F	1	FOR FORWARD
10-	5242835-48	HYD. CLUTCH ASSY, FWD	1	FOR FORWARD
11-	5800607-51	(NA)CLUTCH PACK 5 PLATE, REVERSE	1	FOR REVERSE
11-	5800769-26	(NA)CLUTCH PACK 5 PLATE, REVERSE	1	FOR REVERSE
11-	5242835-49	CLUTCH PACK 5 PLATE, REVERSE	1	FOR REVERSE
12-	5242490-32	BAFFLE PLATE	1	
13-	5242133-82	SEMS BOLT	3	
14-	5242243-81	(NA)GASKET TRANSMISSION	1	TO 2005.10
14-	5242610-60	(NA)GASKET TRANSMISSION	1	FROM 2005.11
14-	5242850-78	GASKET TRANSMISSION	1	FROM 2005.11
15-	5059675-44	PIN	AR	10X24
15-	5243012-36	PIN	4	10X25
16-	5242630-00	(NA)HOUSING TORQUE CONVERTER	1	TO 2006.9
16-	5242842-37	CONVERTER HOUSING	1	FROM 2006.10
17-	9102711-02	CLAMP	1	
18-	5242133-61	SEMS BOLT	10	
19-	5242292-48	BOLT	1	
20-	5242093-30	GEAR PUMP ASSY	1	

**AUTOMATIC TRANSMISSION ASSY TO 2008.9**

Item	PartNo.	Description	Q'ty	Remarks
21-	4490010-52	BOLT	5	
22-	5025669-01	WASHER	5	
23-	9301884-01	CHOKE	1	
24-	9186956-00	GASKET CONTROL VALVE	1	
25-	5242097-92	(NA)CONTROL VALVE ASSY	1	
26-	9286324-00	BRACKET, BELLCRANK	1	
27-	5242119-79	BRACKET, HARNESS CLAMP	1	
28-	5242138-14	SEMS BOLT	7	
29-	5242135-26	(NA)SOLENOID VALVE ASSY	1	
29-	5243145-33	SOLENOID VALVE ASSY	1	
30-	9099184-03	BOLT	4	
31-	9306853-00	SPRING REGURATOR	1	
32-	9306863-00	SPRING REGURATOR	1	
33-	9374673-00	PISTON REGURATOR	1	
34-	9306883-00	SPRING COLD RELEIF	1	
35-	9306873-00	PISTON COLD RELEIF	1	
36-	9099194-01	PLUG	1	
37-	9099194-03	PLUG	1	
38-	9310293-00	NIPPLE	1	
39-	0665377-00	NUT	1	
40-	9277884-00	FILTER RETURN	1	
41-	5059675-34	SCREEN, SUCTION	1	
42-	5059675-88	SPRING, SUCTION SCREEN	1	
43-	0573900-00	PLUG	1	
44-	9043301-00	BREATHER AIR	1	
45-	9229199-02	PIPE	1	
46-	5242453-23	GAUGE OIL LEVEL	1	
47-	5241728-19	PIPE LEVEL GAUGE	1	
48-	9113584-00	THERMO SWITCH ASSY	1	
49-	9112233-00	ELBOW RETURN	1	
50-	9283213-00	ELBOW RETURN (2 SHTS)	1	
51-	9229049-01	PLUG	3	

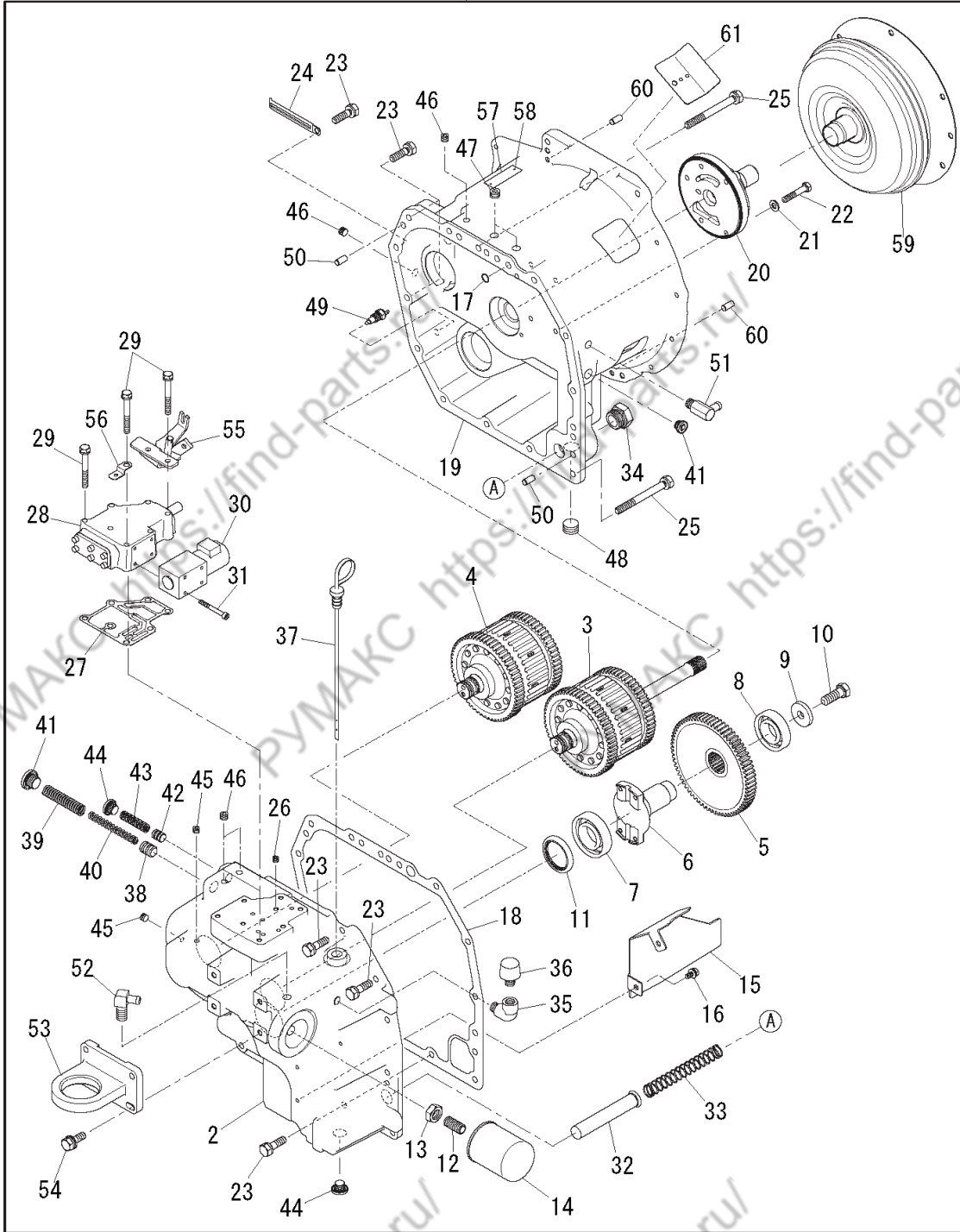
**AUTOMATIC TRANSMISSION ASSY TO 2008.9**

Item	PartNo.	Description	Q'ty	Remarks
52-	9229049-02	PLUG	4	
53-	9229049-03	PLUG	3	
54-	9099194-01	PLUG	1	
55-	9229049-05	PLUG	2	
56-	9121343-00	COVER, T/C HOUSING	1	
57-	5242253-49	(NA)BRACKET	1	
57-	5242613-08	(NA)BRACKET	1	
57-	5243182-34	BRACKET	1	
58-	5242133-91	SEMS BOLT	4	
59-	NSS	PLATE NAME	1	
60-	0149893-00	RIVET	2	
61-	5242085-58	TORQUE CONVERTER ASSY	1	FE/F2/ATNE92
61-	5242085-59	TORQUE CONVERTER ASSY	1	4TNE98
62-	9124521-00	O-RING	1	FROM 2005.11
63-	9229049-01	PLUG	1	TO 2007.7
	==	END	==	

**AUTOMATIC TRANSMISSION ASSY FROM 2008.10 TO 2010.7**

FROM 2008.10 TO 2010.7

1



Service Bulletin	Change Item	Interchangeability
B-14217301A	Item 1	Refer to Service Bulletin
B-119892	Item 28	Refer to Service Bulletin

**AUTOMATIC TRANSMISSION ASSY FROM 2008.10 TO 2010.7**

Item	PartNo.	Description	Q'ty	Remarks
1-	5243182-30	(NA)AUTOMATIC TRANSMISSION ASSY	1	INCL.2-61 FE/F2/4TNE92
1-	5243110-69	(NA)AUTOMATIC TRANSMISSION ASSY	1	INCL.2-61 4TNE98
2-	5243020-70	CASE TRANSMISSION	1	
3-	5242835-48	HYD. CLUTCH ASSY, FWD	1	FOR FORWARD
4-	5242835-49	CLUTCH PACK 5 PLATE, REVERSE	1	FOR REVERSE
5-	5242664-32	GEAR OUTPUT	1	
6-	5241940-63	SHAFT OUTPUT	1	
7-	9099304-06	BEARING RADIAL BALL	1	
8-	9099304-14	BEARING RADIAL BALL	1	
9-	5241940-66	WASHER	1	
10-	9310169-05	BOLT	1	
11-	5242093-28	OIL SEAL	1	
12-	9310293-00	NIPPLE	1	
13-	0665377-00	NUT	1	
14-	9277884-00	FILTER RETURN	1	
15-	5243030-96	BAFFLE	1	
16-	5242133-83	SEMS BOLT	2	
17-	9124521-00	O-RING	1	
18-	5243030-97	GASKET	1	
19-	5243020-71	HOUSING, TORQUE CONVERTER	1	
20-	5242093-30	GEAR PUMP ASSY	1	
21-	5243179-11	PACKING	5	
22-	5243036-28	BOLT	5	
23-	5242133-61	SEMS BOLT	6	
24-	9102711-02	CLAMP	1	
25-	5243135-67	BOLT	9	
26-	9301884-01	CHOKE	1	
27-	9186956-00	GASKET CONTROL VALVE	1	
28-	5242097-92	(NA)CONTROL VALVE ASSY	1	
28-	5500163-57	CONTROL VALVE ASSY	1	
29-	5242138-14	SEMS BOLT	7	
30-	5243145-33	SOLENOID VALVE ASSY	1	

## AUTOMATIC TRANSMISSION ASSY FROM 2008.10 TO 2010.7

Item	PartNo.	Description	Q'ty	Remarks
31-	9099184-03	BOLT	4	
32-	5059675-34	SCREEN, SUCTION	1	
33-	5059675-88	SPRING, SUCTION SCREEN	1	
34-	0573900-00	PLUG	1	
35-	9229199-02	PIPE	1	
36-	9043301-00	BREATHER AIR	1	
37-	5243182-02	GAUGE OIL LEVEL	1	
38-	9374673-00	PISTON REGURATOR	1	
39-	9306853-00	SPRING REGURATOR	1	
40-	9306863-00	SPRING REGURATOR	1	
41-	9099194-01	PLUG	2	
42-	9306873-00	PISTON COLD RELEIF	1	
43-	9306883-00	SPRING COLD RELEIF	1	
44-	9099194-03	PLUG	2	
45-	9229049-01	PLUG	2	
46-	9229049-02	PLUG	4	
47-	9229049-03	PLUG	2	
48-	9099194-04	PLUG	1	
49-	9113584-00	THERMO SWITCH ASSY	1	
50-	5243012-36	PIN	2	
51-	9112233-00	ELBOW RETURN	1	
52-	9283213-00	ELBOW RETURN (2 SHTS)	1	
53-	5243182-34	BRACKET	1	
54-	5242133-91	SEMS BOLT	4	
55-	9286324-00	BRACKET, BELLCRANK	1	
56-	5242119-79	BRACKET, HARNESS CLAMP	1	
57-	NA	PLATE NAME	1	
58-	0149893-00	RIVET	2	
59-	5242085-58	TORQUE CONVERTER ASSY	1	FE/F2/4TNE92
59-	5242085-59	TORQUE CONVERTER ASSY	1	4TNE98
60-	5243012-36	PIN	2	
61-	9121343-00	COVER, T/C HOUSING	1	

**AUTOMATIC TRANSMISSION ASSYFROM 2008.10 TO 2010.7**

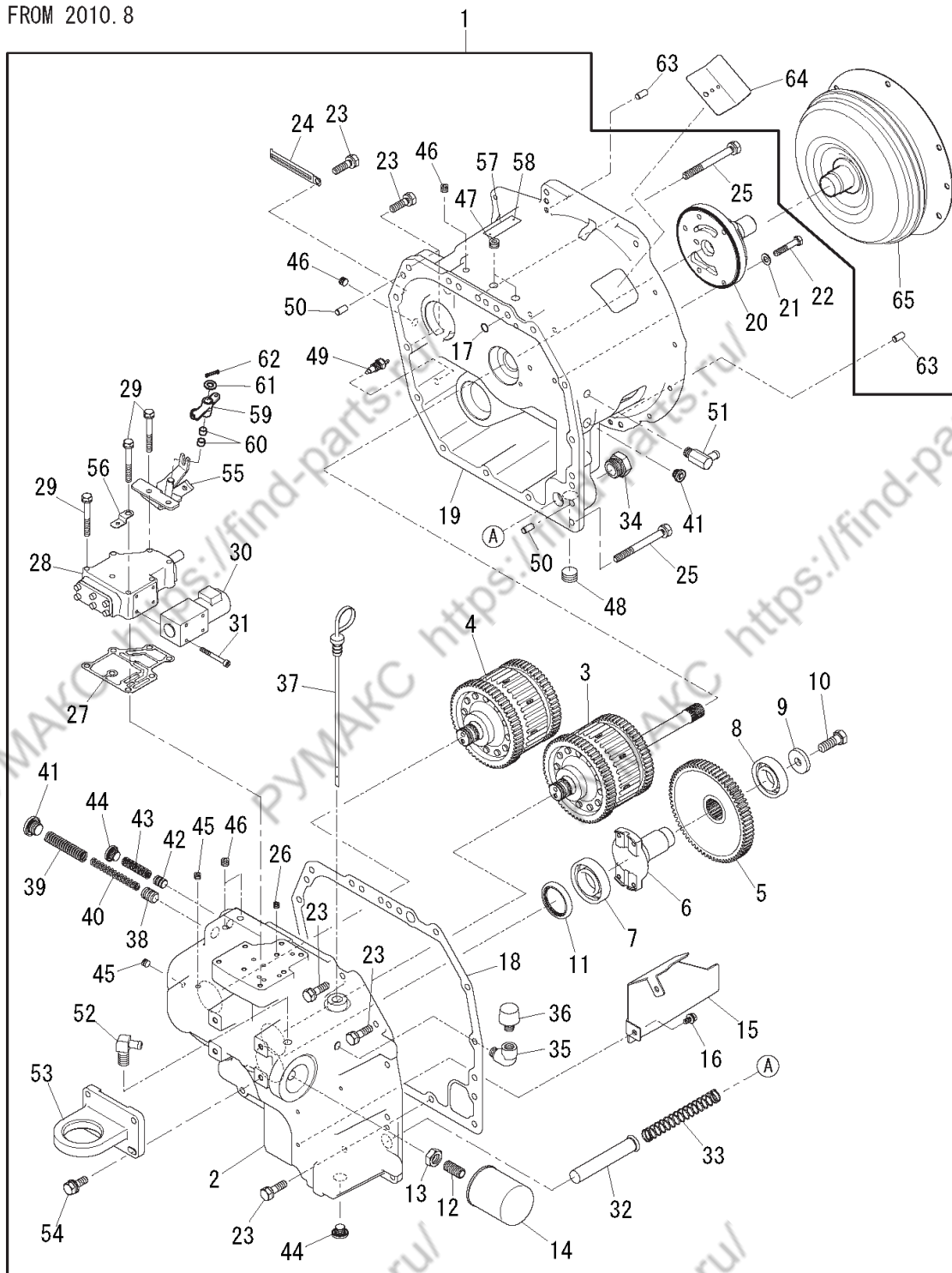
Item	PartNo.	Description	Q'ty	Remarks
== END ==				

PYMAKC <https://find-parts.ru/>  
PYMAKC <https://find-parts.ru/>  
PYMAKC <https://find-parts.ru/>

<https://find-parts.ru/>  
<https://find-parts.ru/>  
<https://find-parts.ru/>

# AUTOMATIC TRANSMISSION ASSY FROM 2010.8

FROM 2010. 8





**AUTOMATIC TRANSMISSION ASSY FROM 2010.8**

Item	PartNo.	Description	Q'ty	Remarks
1-	5500203-17	AUTOMATIC TRANSMISSION ASSY	1	INCL.2-62
2-	5243020-70	CASE, TRANSMISSION	1	
3-	5242835-48	HYD. CLUTCH ASSY, FWD	1	FOR FORWARD
4-	5242835-49	CLUTCH PACK 5 PLATE, REVERSE	1	FOR REVERSE
5-	5242664-32	GEAR OUTPUT	1	
6-	5241940-63	SHAFT OUTPUT	1	
7-	9099304-06	BEARING RADIAL BALL	1	
8-	9099304-14	BEARING RADIAL BALL	1	
9-	5241940-66	WASHER	1	
10-	9310169-05	BOLT	1	
11-	5242093-28	OIL SEAL	1	
12-	9310293-00	NIPPLE	1	
13-	0665377-00	NUT	1	
14-	9277884-00	FILTER RETURN	1	
15-	5243030-96	BAFFLE	1	
16-	5242133-83	SEMS BOLT	2	
17-	9124521-00	O-RING	1	
18-	5243030-97	GASKET	1	
19-	5243020-71	HOUSING, TORQUE CONVERTER	1	
20-	5242093-30	GEAR PUMP ASSY	1	
21-	5243179-11	PACKING	5	
22-	5243036-28	BOLT	5	
23-	5242133-61	SEMS BOLT	6	
24-	9102711-02	CLAMP	1	
25-	5243135-67	BOLT	9	
26-	9301884-01	CHOKE	1	
27-	9186956-00	GASKET CONTROL VALVE	1	
28-	5500163-57	CONTROL VALVE ASSY	1	
29-	5242138-14	SEMS BOLT	7	
30-	5243145-33	SOLENOID VALVE ASSY	1	
31-	9099184-03	BOLT	4	
32-	5059675-34	SCREEN, SUCTION	1	

**AUTOMATIC TRANSMISSION ASSY FROM 2010.8**

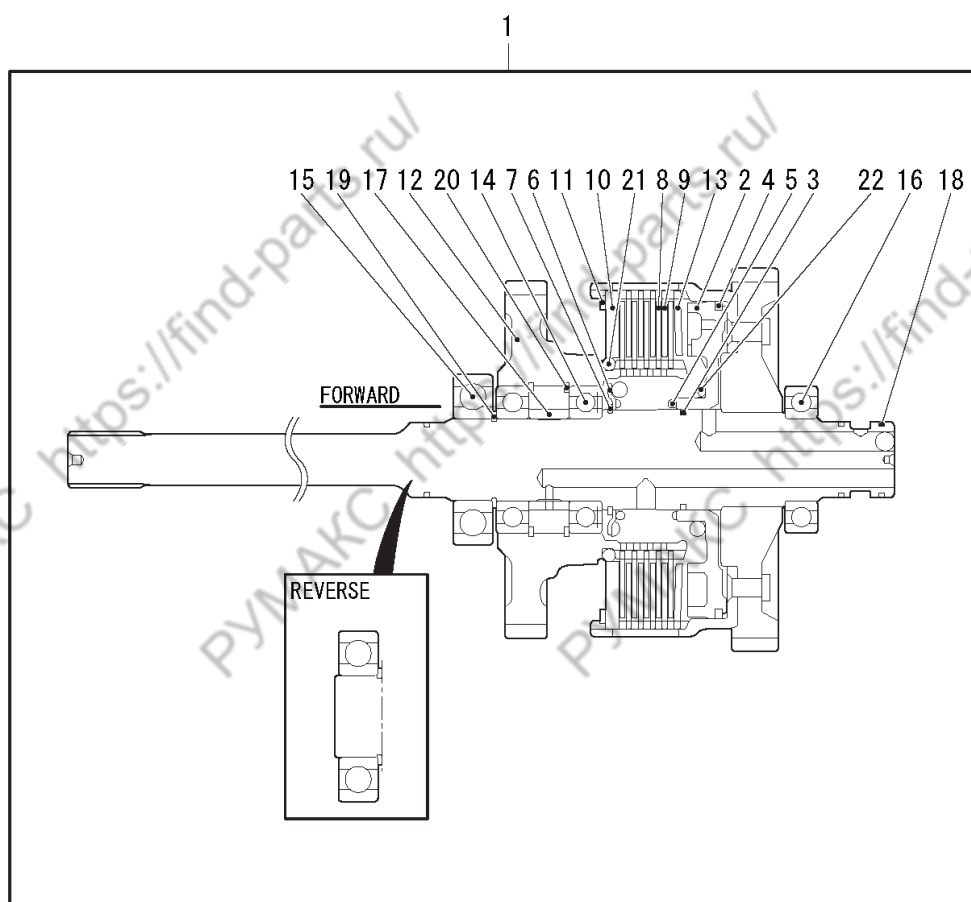
Item	PartNo.	Description	Q'ty	Remarks
33-	5059675-88	SPRING, SUCTION SCREEN	1	
34-	0573900-00	PLUG	1	
35-	9229199-02	PIPE	1	
36-	9043301-00	BREATHER AIR	1	
37-	5243182-02	GAUGE OIL LEVEL	1	
38-	9374673-00	PISTON REGURATOR	1	
39-	9306853-00	SPRING REGURATOR	1	
40-	9306863-00	SPRING REGURATOR	1	
41-	9099194-01	PLUG	2	
42-	9306873-00	PISTON COLD RELEIF	1	
43-	9306883-00	SPRING COLD RELEIF	1	
44-	9099194-03	PLUG	2	
45-	9229049-01	PLUG	2	
46-	9229049-02	PLUG	4	
47-	9229049-03	PLUG	2	
48-	9099194-04	PLUG	1	
49-	9113584-00	THERMO SWITCH ASSY	1	
50-	5243012-36	PIN	2	
51-	9112233-00	ELBOW RETURN	1	
52-	9283213-00	ELBOW RETURN (2 SHTS)	1	
53-	5243182-34	BRACKET	1	
54-	5242133-91	SEMS BOLT	4	
55-	9286324-00	BRACKET, BELLCRANK	1	
56-	5242119-79	BRACKET, HARNESS CLAMP	1	
57-	NA	PLATE NAME	1	
58-	0149893-00	RIVET	2	
59-	9264023-00	BELLCRANK	1	
60-	9117011-00	BUSH	2	
61-	4490210-10	WASHER	1	
62-	9517069-03	PIN STEEL COTTER	1	
63-	5243012-36	PIN	2	
64-	9121343-00	COVER-T/C HOUSING	1	

**AUTOMATIC TRANSMISSION ASSY FROM 2010.8**

Item	PartNo.	Description	Q'ty	Remarks
65-	5242085-58	TORQUE CONVERTER ASSY	1	FE/F2/4TNE92
65-	5242085-59	TORQUE CONVERTER ASSY	1	4TNE98

== END ==

HYD. CLUTCH ASSY INNER PARTS



Item	Description	Remarks
23	DRIVE PLATE KIT	INCL. 8, 9, 10, 13
24	SEAL RING KIT	INCL. 3, 4, 18, 21
25	PACKING KIT	INCL. 23, 24

Service Bulletin	Change Item	Interchangeability
B-11359770	Item 1, 17	Refer to Service Bulletin
B-11453301	Item 1, 12	Refer to Service Bulletin

## HYD. CLUTCH ASSY INNER PARTS

Item	PartNo.	Description	Q'ty	Remarks
1-	5242093-21	(NA)HYD. CLUTCH ASSY F	1	FOR FORWARD INCL.2-22
1-	5242825-53	(NA)HYD. CLUTCH ASSY F	1	FOR FORWARD INCL.2-22
1-	5242835-48	HYD. CLUTCH ASSY, FWD	1	FOR FORWARD INCL.2-22
1-	5800607-51	(NA)CLUTCH PACK 5 PLATE, REVERSE	1	FOR REVERSE INCL.2-22
1-	5800769-26	(NA)CLUTCH PACK 5 PLATE, REVERSE	1	FOR REVERSE INCL.2-22
1-	5242835-49	CLUTCH PACK 5 PLATE, REVERSE	1	FOR REVERSE INCL.2-22
2-	5242592-20	PISTON	2	
3-	xx	SEAL RING	2	
4-	xx	SEAL RING	2	
5-	5800551-93	SPRING	2	
6-	5800551-95	SPRING GUIDE	2	
7-	5800551-96	SNAP RING	2	
8-	x	DISK ASSY	10	
9-	x	DRIVE PLATE	8	
10-	x	BACK PLATE	2	
11-	5800407-87	SNAP RING	2	
12-	5800607-57	(NA)GEAR	2	
12-	5242893-59	GEAR	2	
13-	x	CONICAL DRIVE PLATE	2	
14-	5800552-16	BALL BEARING	2	
15-	0151258-00	BALL BEARING	2	
16-	5800552-13	BALL BEARING	4	
17-	5800552-14	(NA)SPACER	2	TO 2006.9
18-	xx	SEAL RING	5	
19-	5800552-02	(NA)SNAP RING	2	
19-	5800407-96	SNAP RING	2	
20-	5800552-03	SNAP RING	4	
21-	xx	O-RING	2	
22-	5800552-04	SPRING	2	
23-	5242592-16	DRIVE PLATE KIT	1	INCL.x
24-	5242592-17	SEAL RING KIT	1	INCL.xx
25-	5242592-18	REPAIR KIT	1	INCL.23,24

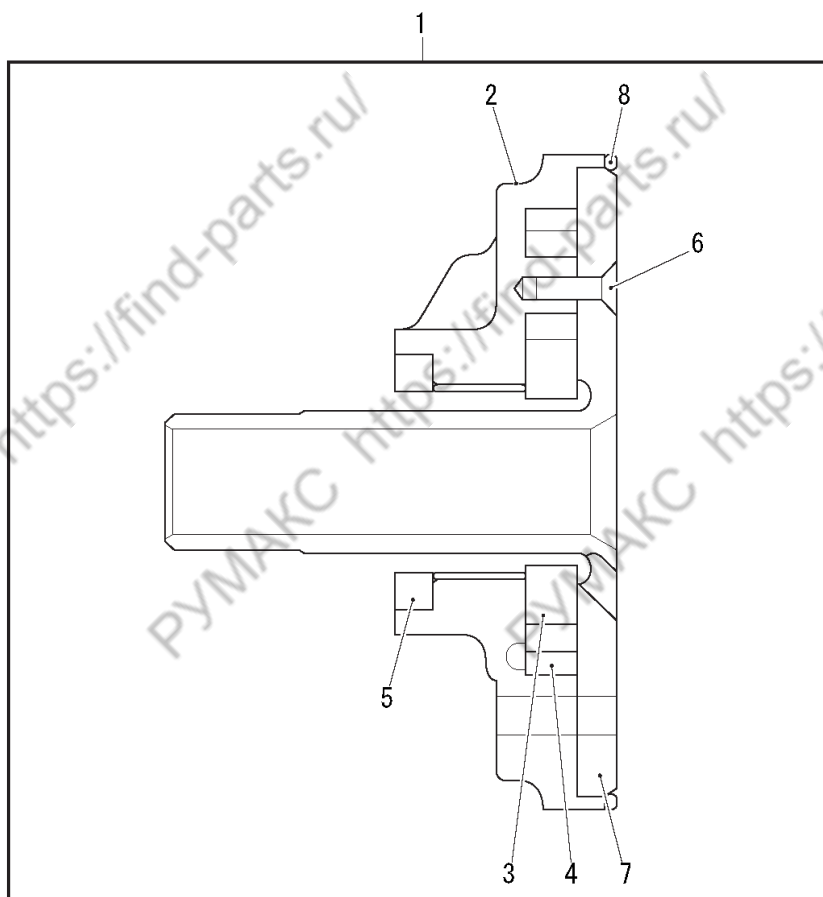
**HYD. CLUTCH ASSY INNER PARTS**

Item	PartNo.	Description	Q'ty	Remarks
== END ==				

PYMAKC <https://find-parts.ru/>  
PYMAKC <https://find-parts.ru/>  
PYMAKC <https://find-parts.ru/>

<https://find-parts.ru/>  
<https://find-parts.ru/>  
<https://find-parts.ru/>

GEAR PUMP ASSY INNER PARTS



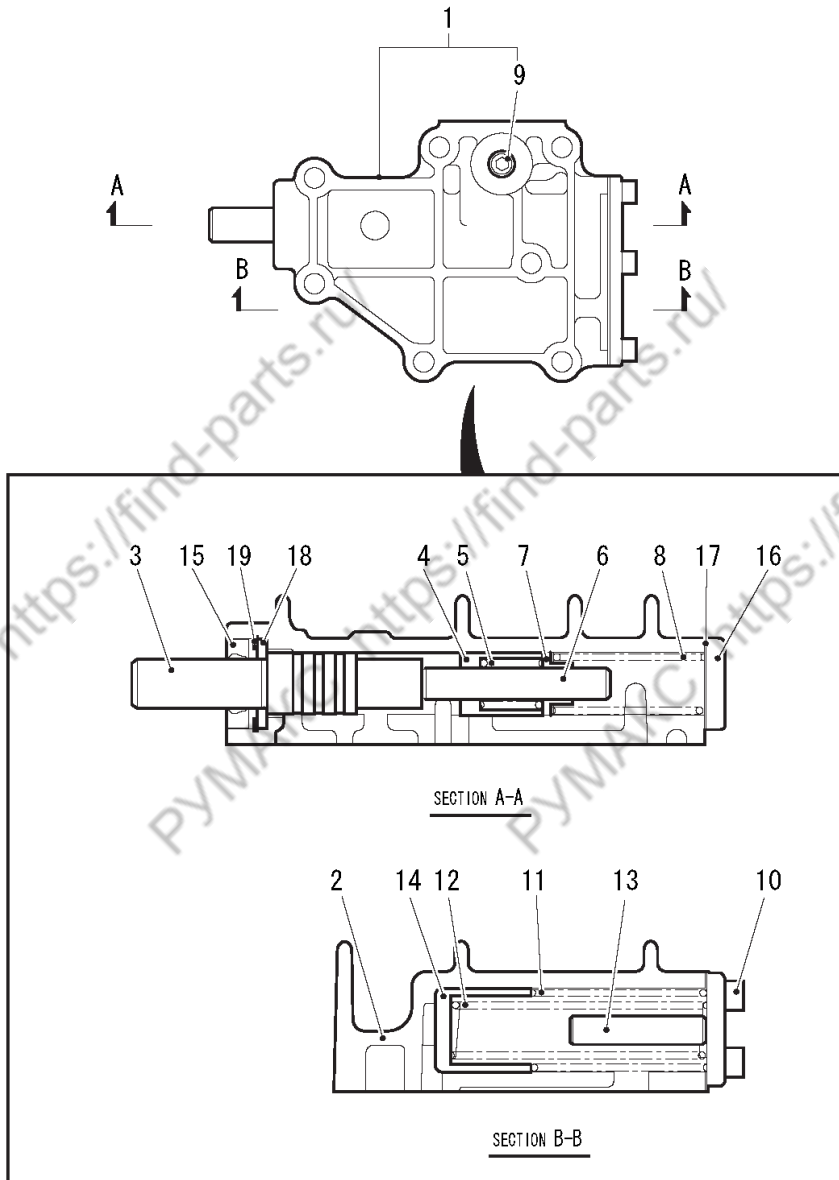
**GEAR PUMP ASSY INNER PARTS**

Item	PartNo.	Description	Q'ty	Remarks
1-	5242093-30	GEAR PUMP ASSY	1	INCL.2-8
2-	NSS	CASE ASSY	1	
3-	NSS	DRIVE GEAR	1	
4-	NSS	DRIVEN GEAR	1	
5-	9020498-04	OIL SEAL	1	
6-	4490040-72	SCREW	1	
7-	NSS	STAT. SUPPORT	1	
8-	9023808-07	O-RING	1	

== END ==



CONTROL VALVE ASSY INNER PARTS



Item	Description	Remarks
20	REPAIR KIT	INCL. 15, 17
21	(NA) SPRING KIT	INCL. 5, 8, 11, 12
21	KIT SPRING INCHING	INCL. 5, 8
22	KIT SPRING ACC	INCL. 11, 12, 13

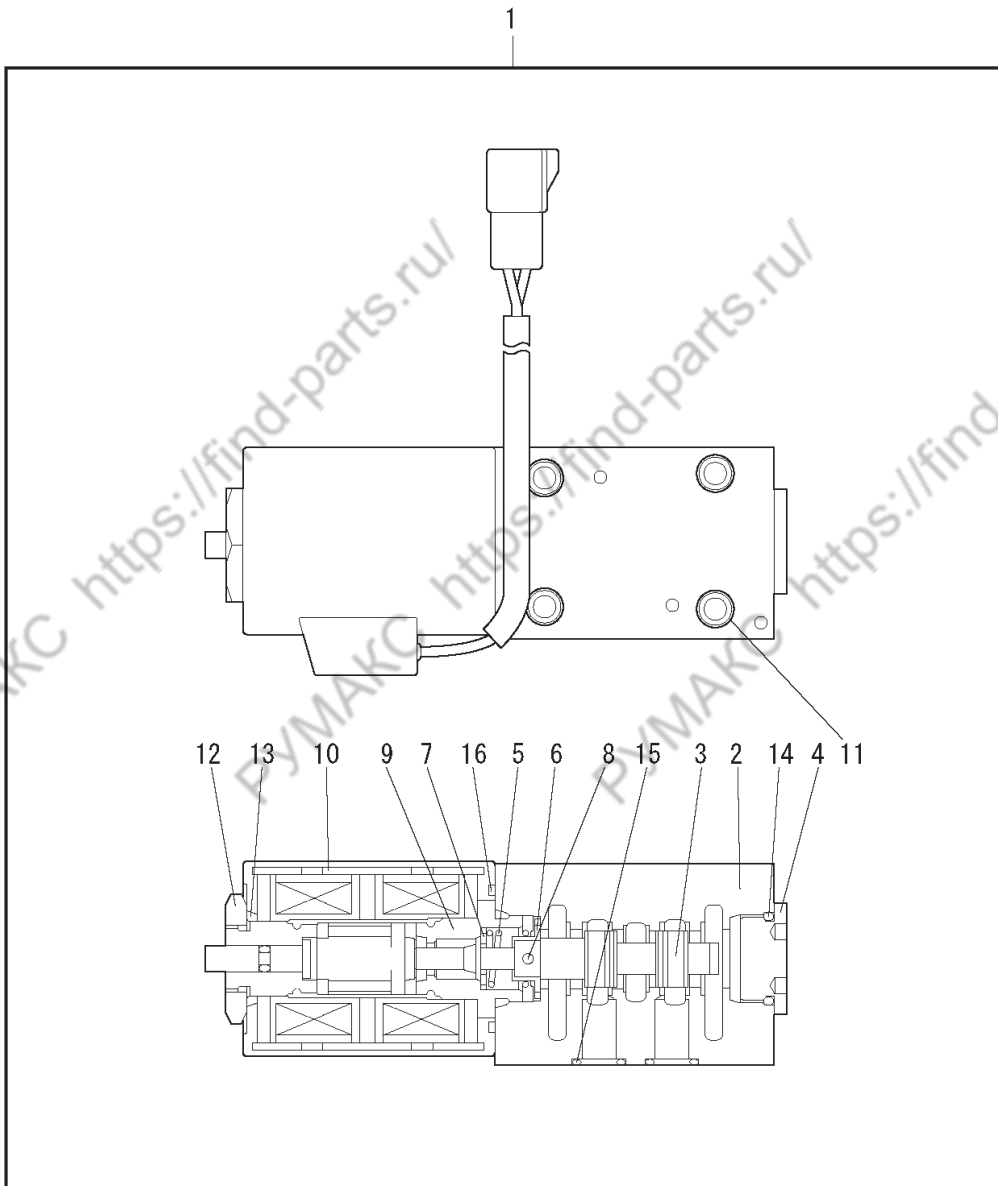
Service Bulletin	Change Item	Interchangeability
B-119892	Item 1, 13, 21	Refer to Service Bulletin
B-143497	Item 9	Refer to Service Bulletin

**CONTROL VALVE ASSY INNER PARTS**

Item	PartNo.	Description	Q'ty	Remarks
1-	5242097-92	(NA)CONTROL VALVE ASSY	1	INCL.2-19
1-	5500163-57	CONTROL VALVE ASSY	1	INCL.2-19
2-	NSS	VALVE BODY	1	
3-	9020528-02	INCHING SPOOL	1	
4-	9023948-03	PISTON	1	
5-	xx	P. SPRING	1	
6-	9018828-23	SPRING PIN	1	
7-	9018828-24	STOPPER	1	
8-	xx	P. SPRING	1	
9-	9022368-08	(NA)PLUG	1	
9-	9229049-01	PLUG	1	
10-	9018828-02	BOLT	6	
11-	xx	P. SPRING	1	
12-	xx	P. SPRING	1	
13-	5242592-11	(NA)STOPPER	1	
13-	y	STOPPER	1	
14-	9018828-14	PISTON	1	
15-	x	OIL SEAL	1	
16-	9022368-15	COVER	1	
17-	x	GASKET	1	
18-	9022368-17	STOPPER	1	
19-	4490300-04	SNAP RING	1	
20-	9023948-50	REPAIR KIT	1	INCL.x
21-	5242604-64	(NA)SPRING KIT	1	INCL.5,8,11,12
21-	5500163-59	KIT SPRING INCHING	1	INCL.xx
22-	5500163-60	KIT SPRING ACC	1	INCL.y

== END ==

SOLENOID VALVE ASSY INNER PARTS



Item NO.	Description	Remarks
17	SEAL KIT	INCL.13, 14, 15, 16

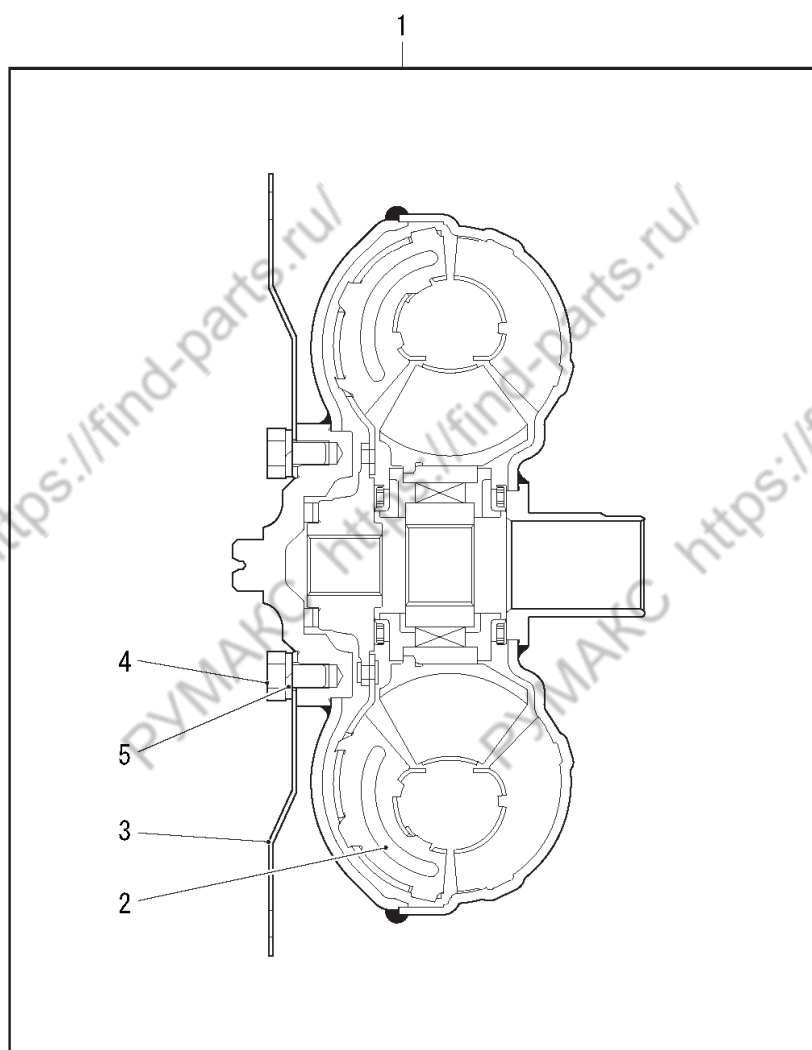
Service News	Change Item	Interchangeability
B-116402	Item 1, 10, 12	Refer to Service News

## SOLENOID VALVE ASSY INNER PARTS

Item	PartNo.	Description	Q'ty	Remarks
1-	5242135-26	(NA)SOLENOID VALVE ASSY	1	INCL.2-16 TO 2007.11
1-	5243145-33	SOLENOID VALVE ASSY	1	INCL.2-16 FROM 2007.12
2-	NSS	BODY	1	
3-	NSS	SPOOL	1	
4-	NSS	PLUG	1	
5-	NSS	SPRING	1	
6-	NSS	RETAINAR A	1	
7-	NSS	RETAINAR B	1	
8-	NSS	PIN PARALLEL	1	
9-	NSS	SOLENOID GUID	1	
10-	5242523-04	SOLENOID COIL	1	TO 2007.11
10-	NSS	SOLENOID COIL	1	FROM 2007.12
11-	NSS	SPACER	4	
12-	5241827-32	NUT	1	TO 2007.11
12-	NSS	NUT	1	FROM 2007.12
13-	x	O-RING	1	
14-	x	O-RING	2	
15-	x	O-RING	4	
16-	x	O-RING	1	
17-	5241827-36	SEAL KIT	1	INCL.x

== END ==

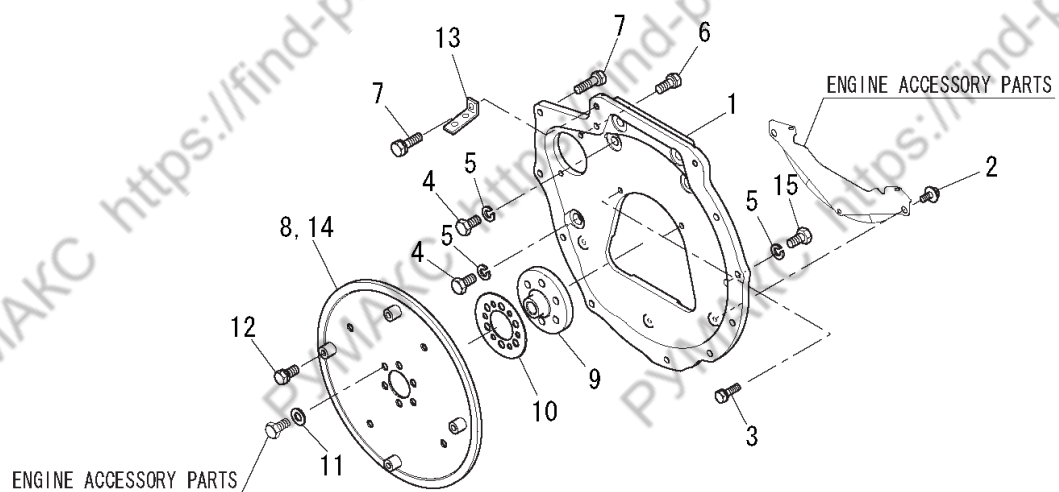
# TORQUE CONVERTER ASSY INNER PARTS



**TORQUE CONVERTER ASSY INNER PARTS**

Item	PartNo.	Description	Q'ty	Remarks
1-	5242085-58	TORQUE CONVERTER ASSY	1	INCL.2-5 FE/F2/4TNE92
1-	5242085-59	TORQUE CONVERTER ASSY	1	INCL.2-5 4TNE98
2-	NSS	T/C SUB ASSY	1	
3-	9022308-02	INPUT PLATE	1	
4-	9310149-02	BOLT	6	
5-	4490220-13	LOCKWASHER	6	
== END ==				

END PLATE & FLYWHEEL FOR GP/GTP/GLP



Service News	Change Item	Interchangeability
B-115008	Item 15	Refer to Service News

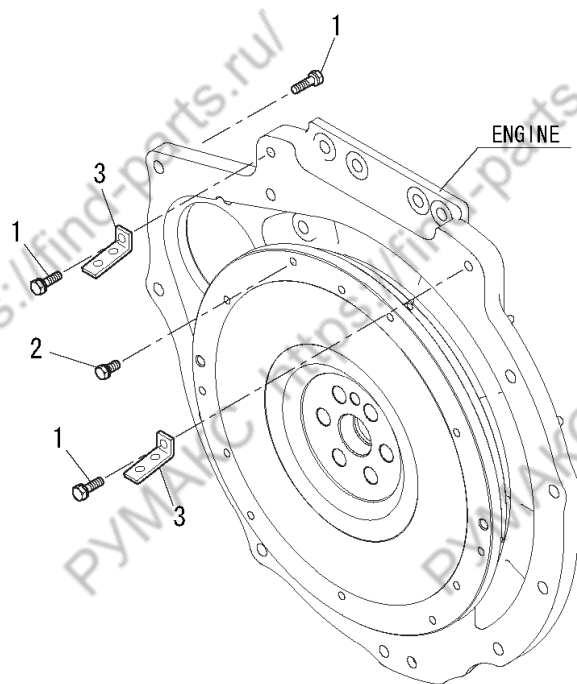
**END PLATE & FLYWHEEL FOR GP/GTP/GLP**

Item	PartNo.	Description	Q'ty	Remarks
1-	5242463-36	FLYWHEEL HOUSING GAS/LPG	1	
2-	5242133-77	SEMS BOLT	3	
3-	5242133-54	SEMS BOLT	2	
4-	9099134-01	BOLT	5	
5-	4490220-20	LOCKWASHER	6	
6-	5242138-06	SEMS BOLT	2	
7-	5242133-61	SEMS BOLT	10	
8-	9273294-00	FLYWHEEL ASSY	1	INCL.14
9-	9288424-00	FLANGE	1	
10-	9121453-00	BACK PLATE	1	
11-	9401019-08	SPECIAL WASHER	6	
12-	5242133-58	SEMS BOLT	4	
13-	5242495-58	BRACKET, CABLE CLIP	2	
14-	9273284-01	GEAR RING	1	
15-	9099134-01	(NA)BOLT	1	
15-	9099134-02	BOLT	1	

== END ==



# END PLATE & FLYWHEEL FOR GDP

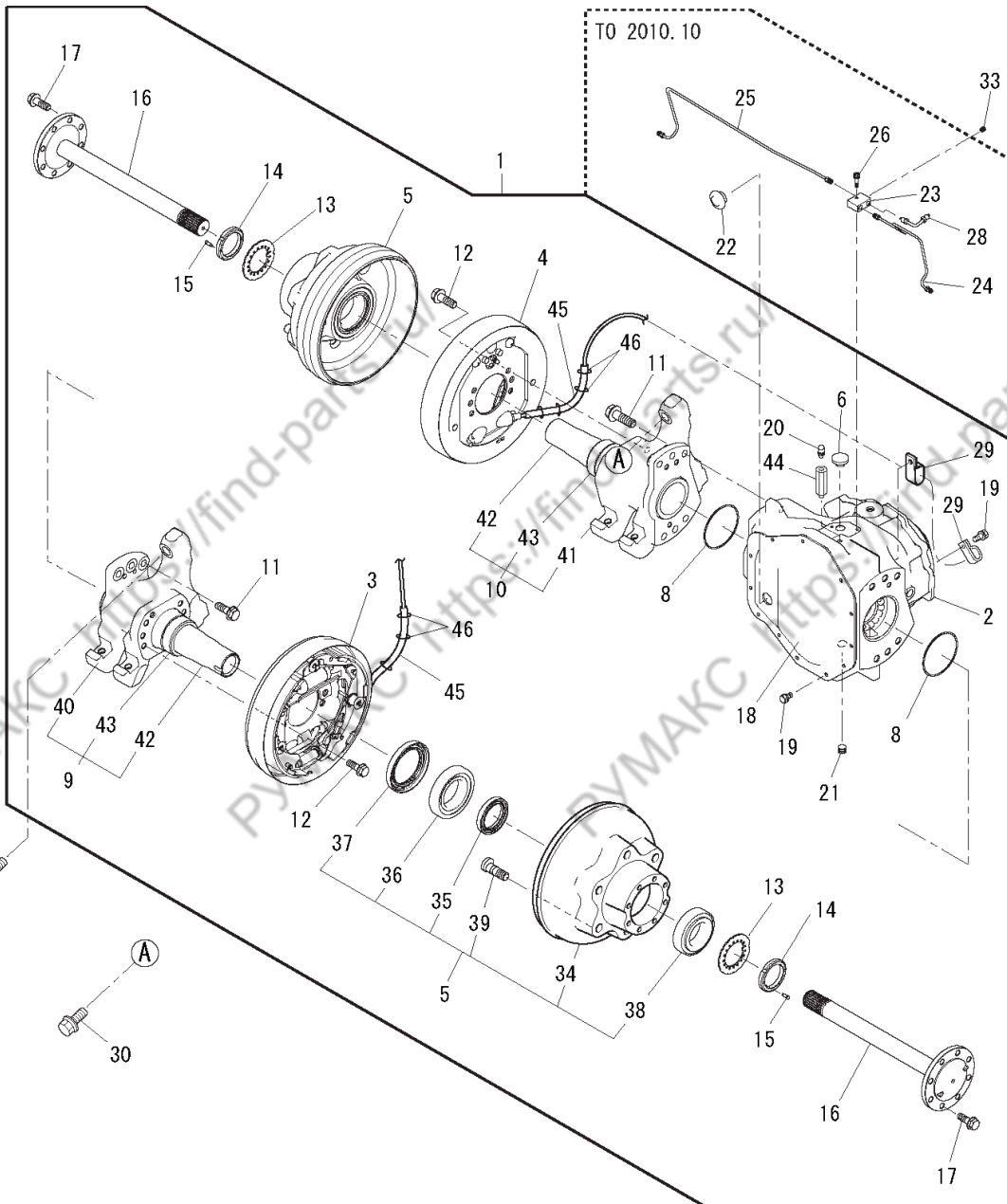


**END PLATE & FLYWHEEL FOR GDP**

Item	PartNo.	Description	Q'ty	Remarks
1-	5242133-61	SEMS BOLT	10	
2-	5242133-58	SEMS BOLT	6	
3-	5242495-58	BRACKET, CABLE CLIP	2	
== END ==				

DRIVE AXLE FOR AK/AKE

FOR AK/AKE



Service Bulletin	Change Item	Interchangeability
B-11723912A	Item 1, 2	Refer to Service Bulletin
B-142902	Item 1, 2	Refer to Service Bulletin
B-119010	Item 3, 4	Refer to Service Bulletin
B-142268	Item 5, 34	Refer to Service Bulletin
B-115682	Item 12	Refer to Service Bulletin
B-115376	Item 18	Refer to Service Bulletin
B-114038	Item 24, 25, 29	Refer to Service Bulletin
B-11299997	Item 28	Refer to Service Bulletin
B-114714	Item 29	Refer to Service Bulletin
B-143667	Item 35	Refer to Service Bulletin

## DRIVE AXLE FOR AK/AKE

Item	PartNo.	Description	Q'ty	Remarks
1-	5242324-33	(NA)DRIVE AXLE ASSY	1	INCL.2-29,44-46
1-	5243266-62	(NA)DRIVE AXLE ASSY	1	INCL.2-29,44-46
1-	5500294-11	DRIVE AXLE ASSY	1	INCL.2-21,44-46
2-	5242324-36	(NA)CENTER SECTION ASSY	1	
2-	5243266-46	(NA)CENTER SECTION ASSY	1	
2-	5500238-99	CENTER SECTION ASSY	1	
3-	5242287-19	(NA)BRAKE ASSY, L.H. W/CABLE	1	
3-	5500046-97	BRAKE ASSY, L.H. W/CABLE	1	
4-	5242287-18	(NA)BRAKE ASSY, R.H. W/CABLE	1	
4-	5500046-96	BRAKE ASSY, R.H. W/CABLE	1	
5-	5242287-15	(NA)HUB DRIVE ASSY	2	INCL.34-39
5-	5500216-56	HUB DRIVE ASSY	2	INCL.34-39
6-	5242735-95	PLUG	1	W/O SPEED METER OPTION
8-	9218019-17	O-RING	2	
9-	5242324-39	HANGER ASSY, L.H.	1	INCL.40,42,43
10-	5242324-41	HANGER ASSY, R.H.	1	INCL.41-43
11-	5242453-76	FLANGE BOLT	12	
12-	9080761-00	BOLT	12	
13-	5242412-52	WASHER	2	
14-	5242288-73	NUT BEARING LOCK	2	
15-	5242465-56	SET SCREW	2	
16-	5242463-75	SHAFT AXLE	2	
17-	5242138-21	SEMS BOLT	16	
18-	5242433-18	(NA)COVER CENTER SECTION	1	
18-	5242953-97	COVER CENTER SECTION	1	
19-	5242133-52	SEMS BOLT	13	
20-	9003201-00	BREATHER AIR	1	
21-	9229049-04	PLUG	1	
22-	5800328-66	PLUG, OIL LEVEL	1	
23-	9221813-00	BLOCK 4 WAY	1	
24-	5242433-21	TUBE ASSY, L.H.	1	
25-	5242433-22	TUBE ASSY, R.H.	1	

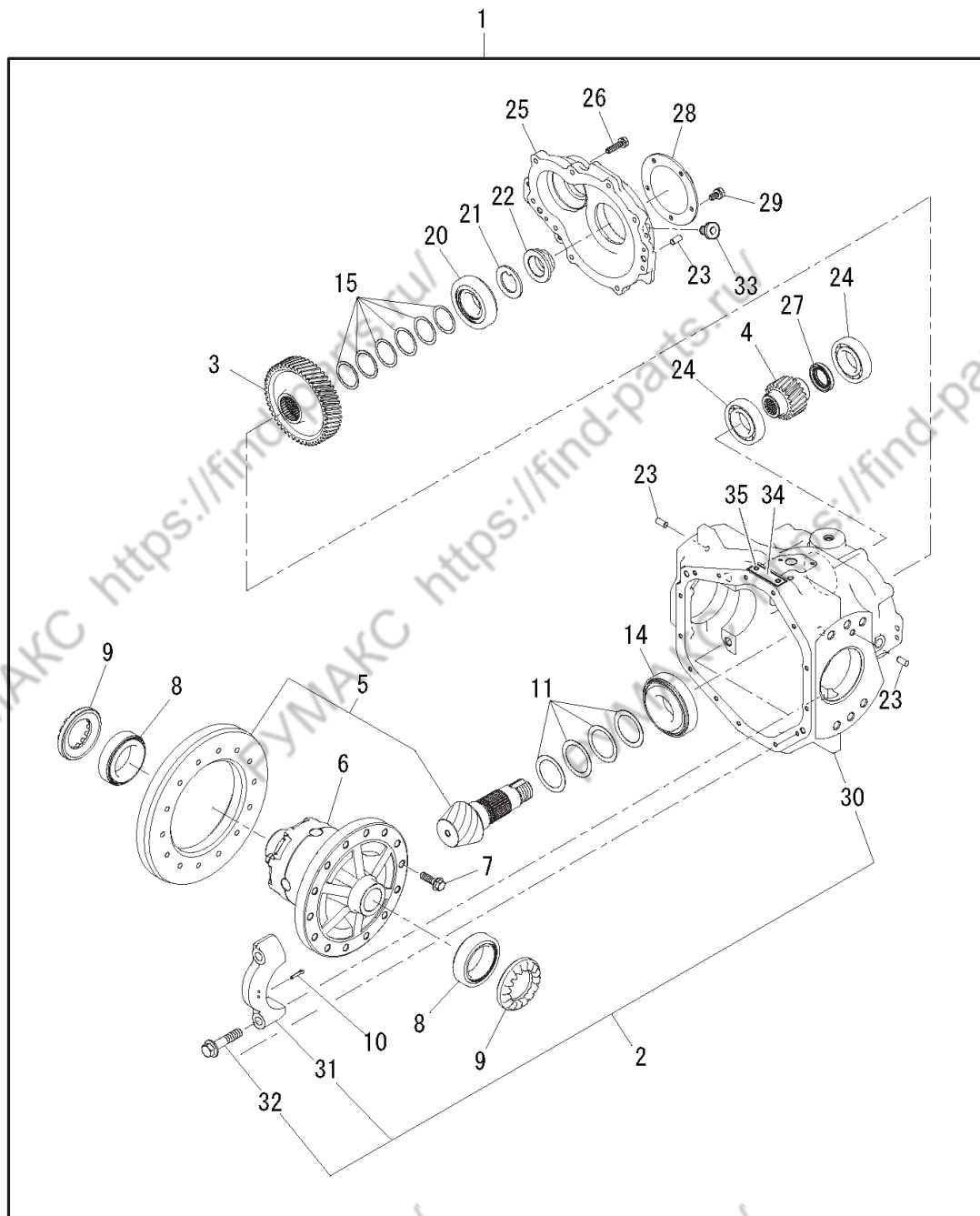
## DRIVE AXLE FOR AK/AKE

Item	PartNo.	Description	Q'ty	Remarks
26-	5242133-49	SEMS BOLT	1	
28-	9191943-00	PIPE ASSY	1	
29-	9000032-31	(NA)CLAMP	1	
29-	5042362-69	CLAMP	1	TO 2006.3
29-	5042362-69	CLAMP	2	FROM 2006.4
30-	5242155-47	FLANGE BOLT	4	
33-	0149315-00	FITTING PIPE	1	
34-	5242287-16	(NA)HUB DRIVE	1	
34-	5500216-57	HUB DRIVE	1	
35-	9219493-00	SEAL OIL	1*	
35-	5500373-81	SEAL OIL	AR	
36-	9099324-09	BEARING INNER	1	
37-	9208023-00	SEAL OIL	1	
38-	5800366-20	TAPER ROLLER BEARING	1	
39-	5242285-84	BOLT HUB	6	
40-	NSS	HANGER, L.H.	1	
41-	NSS	HANGER, R.H.	1	
42-	NSS	SPINDLE DRIVE AXLE	2	
43-	NSS	SPACE	2	
44-	5242749-80	ADAPTER	1	
45-	9108491-04	TUBE VINYL	2	
46-	9032591-02	TIE LAP	8	

== END ==

CENTER SECTION ASSY INNER PARTS FOR AK/AKE

FOR AK/AKE



Service Bulletin	Change Item	Interchangeability
B-11723912A	Item 1, 25	Refer to Service Bulletin
B-142902	Item 1, 2	Refer to Service Bulletin
B-115682	Item 7	Refer to Service Bulletin
B-115798	Item 23	Refer to Service Bulletin

**CENTER SECTION ASSY INNER PARTS FOR AK/AKE**

Item	PartNo.	Description	Q'ty	Remarks
1-	5242324-36	(NA)CENTER SECTION ASSY	1	INCL.2-29
1-	5243266-46	(NA)CENTER SECTION ASSY	1	INCL.2-29,33
1-	5500238-99	CENTER SECTION ASSY	1	INCL.2-29,33-35
2-	5242433-12	(NA)HOUSING CENTER SECTION ASSY	1	INCL.30-32
2-	5500239-04	HOUSING CENTER SECTION ASSY	1	INCL.30-32
3-	5242085-06	GEAR, DRIVEN	1	
4-	5242085-01	GEAR, DRIVE	1	
5-	5800355-40	HYPOID GEAR SET	1	
6-	5800351-37	DIFFERENTIAL ASSY	1	
7-	9080761-00	BOLT	12	
8-	9099324-01	BEARING RADIAL ROLLER	2	
9-	9000133-00	RETAINER, DIFFERENTIAL BEARING	2	
10-	5242497-32	PIN, COTTER	2	
11-	5800343-13	SHIM T=1.0	1*	
11-	5800343-10	SHIM T=0.3	AR	
11-	5800343-11	SHIM T=0.4	AR	
11-	5800343-12	SHIM T=0.5	AR	
14-	9061961-00	TAPER ROLLER BEARING	1	
15-	5800338-80	SHIM T=0.5	2*	
15-	5800338-76	SHIM T=0.12	AR	
15-	5800338-77	SHIM T=0.15	AR	
15-	5800338-78	SHIM T=0.18	AR	
15-	5800338-79	SHIM T=0.25	AR	
20-	9505139-05	BEARING CONE ROLLER	1	
21-	5800378-36	WASHER, STAKE NUT	1	
22-	9242344-01	NUT STAKE	1	
23-	5059675-44	PIN	AR	10X24
23-	5243012-36	PIN	4*	10X25
24-	5800348-89	RADIAL BALL BEARING	2	
25-	5242433-17	(NA)HOUSING, DROPBOX	1	
25-	5243260-74	(NA)HOUSING, DROPBOX	1	
25-	5243258-24	HOUSING, DROPBOX	1	

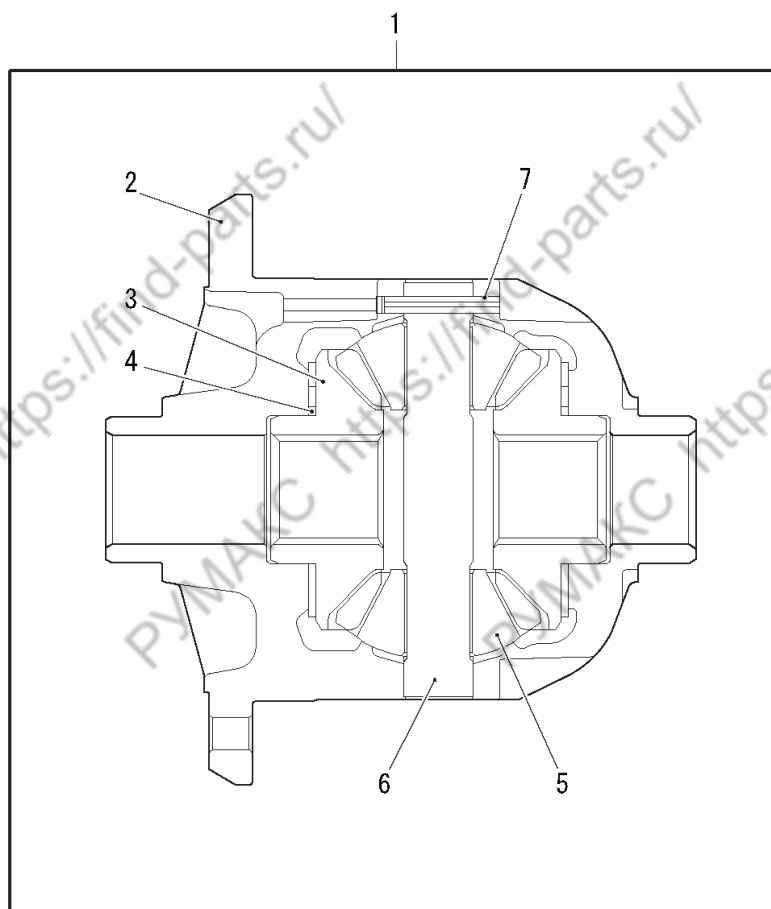
## CENTER SECTION ASSY INNER PARTS FOR AK/AKE

Item	PartNo.	Description	Q'ty	Remarks
26-	5242317-20	FLANGE BOLT	9	
27-	5800347-54	OIL SEAL	1	
28-	5800329-75	COVER PINION	1	
29-	5242133-52	SEMS BOLT	5	
30-	NSS	CASTING, CENTER SECTION HOUSIN	1	
31-	5800558-00	CAP BEARING	2	
32-	5242138-20	SEMS BOLT	4	
33-	9099194-01	PLUG	1	FROM 2008.8
34-	NSS	PLATE NAME	1	
35-	0149893-00	RIVET	2	
	==	END	==	



DIFFERENTIAL ASSY INNER PARTS FOR AK/AKE

for AK/AKE



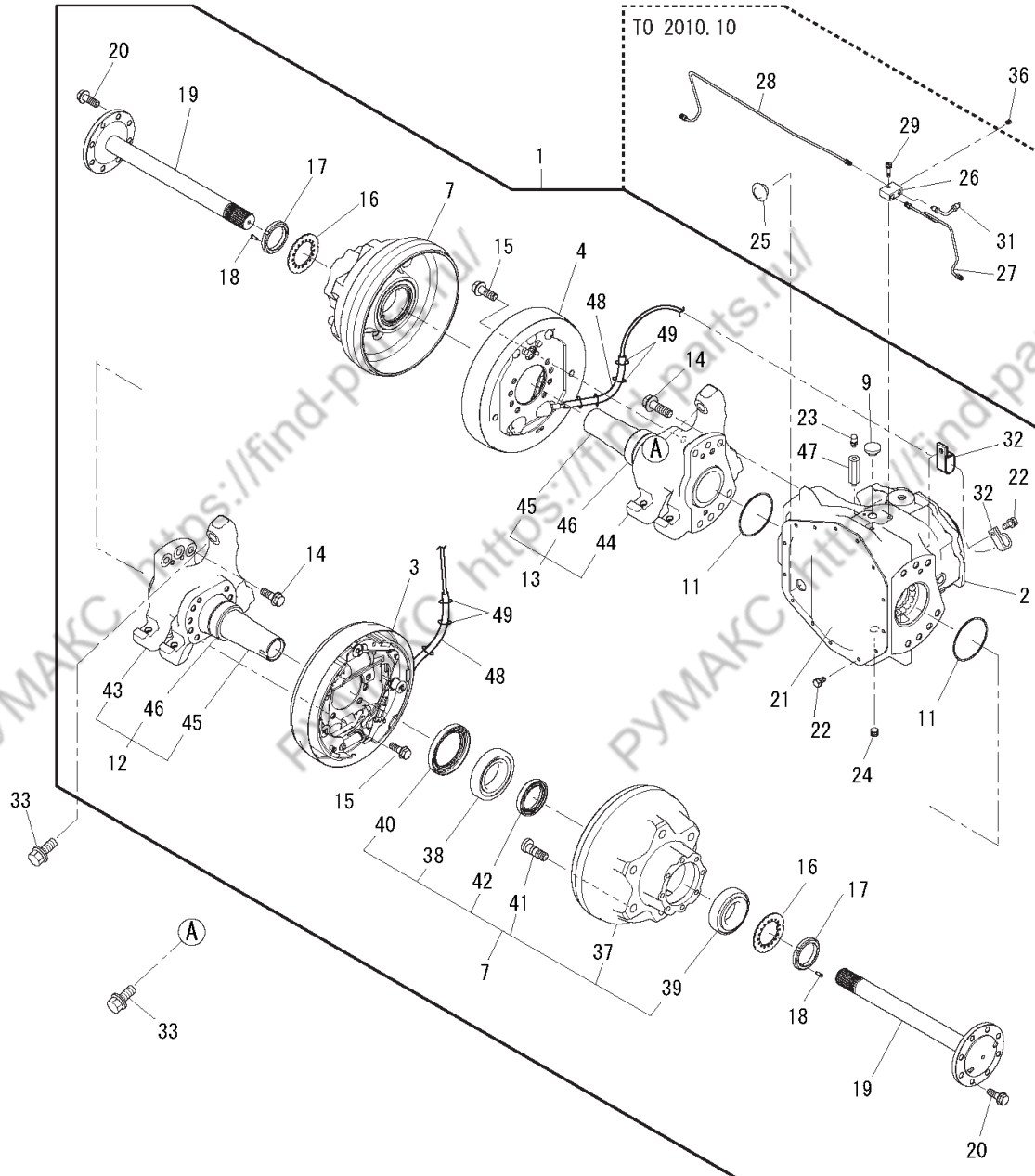
Item NO.	Description	Remarks
8	GEAR KIT	INCL.3, 5

**DIFFERENTIAL ASSY INNER PARTS FOR AK/AKE**

Item	PartNo.	Description	Q'ty	Remarks
1-	5800351-37	DIFFERENTIAL ASSY	1	INCL.2-7
2-	NSS	CASE DIFFERENTIAL	1	
3-	x	GEAR SIDE	2	
4-	5800602-89	WASHER SIDE GEAR	2	
5-	x	PINION DIFFERENTIAL	2	
6-	5800602-32	SHAFT DIFFERENTIAL PINION	1	
7-	5800602-25	PIN SPRING	1	
8-	5800620-90	GEAR KIT	1	INCL.x
== END ==				

DRIVE AXLE FOR RK/TK/TKE

FOR RK/TK/TKE



Service Bulletin	Change Item	Interchangeability
B-11723912A	Item 1, 2	Refer to Service Bulletin
B-142902	Item 1, 2	Refer to Service Bulletin
B-114823	Item 3, 4	Refer to Service Bulletin
B-115376	Item 21	Refer to Service Bulletin
B-114038	Item 27, 28, 32	Refer to Service Bulletin
B-11299997	Item 31	Refer to Service Bulletin
B-114714	Item 32	Refer to Service Bulletin
B-143667	Item 42	Refer to Service Bulletin

## DRIVE AXLE FOR RK/TK/TKE

Item	PartNo.	Description	Q'ty	Remarks
1-	5242324-44	(NA)DRIVE AXLE ASSY	1	20,25RK/TK INCL.2-32,47-49
1-	5243266-73	(NA)DRIVE AXLE ASSY	1	20,25RK/TK INCL.2-32,47-49
1-	5500294-13	DRIVE AXLE ASSY	1	20,25RK/TK INCL.2-24,47-49
1-	5242324-45	(NA)DRIVE AXLE ASSY	1	GP/GTP/GLP35TK INCL.2-32,47-49
1-	5243266-74	(NA)DRIVE AXLE ASSY	1	GP/GTP/GLP35TK INCL.2-32,47-49
1-	5500294-14	DRIVE AXLE ASSY	1	GP/GTP/GLP35TK INCL.2-24,47-49
1-	5242324-46	(NA)DRIVE AXLE ASSY	1	30TK, GDP35TK INCL.2-32,47-49
1-	5243266-75	(NA)DRIVE AXLE ASSY	1	30TK, GDP35TK INCL.2-32,47-49
1-	5500294-15	DRIVE AXLE ASSY	1	30TK, GDP35TK INCL.2-24,47-49
2-	5242324-50	(NA)CENTER SECTION ASSY	1	20,25RK/TK
2-	5243266-67	(NA)CENTER SECTION ASSY	1	20,25RK/TK
2-	5500239-01	CENTER SECTION ASSY	1	20,25RK/TK
2-	5242324-51	(NA)CENTER SECTION ASSY	1	GP/GTP/GLP35TK
2-	5243266-68	(NA)CENTER SECTION ASSY	1	GP/GTP/GLP35TK
2-	5500239-02	CENTER SECTION ASSY	1	GP/GTP/GLP35TK
2-	5242324-52	(NA)CENTER SECTION ASSY	1	30TK, GDP35TK
2-	5243266-69	(NA)CENTER SECTION ASSY	1	30TK, GDP35TK
2-	5500239-03	CENTER SECTION ASSY	1	30TK, GDP35TK
3-	5242431-65	(NA)BRAKE ASSY, L.H.	1	
3-	5242924-93	BRAKE ASSY, L.H.	1	
4-	5242431-66	(NA)BRAKE ASSY, R.H.	1	
4-	5242924-94	BRAKE ASSY, R.H.	1	
7-	5242530-42	HUB ASSY	2	INCL.37-42
9-	5242735-95	PLUG	1	W/O SPEED METER OPTION
11-	9218019-17	O-RING	2	
12-	5242324-56	HANGER ASSY, L.H.	1	INCL.43,45,46
13-	5242324-60	HANGER ASSY, R.H.	1	INCL.44-46
14-	5242138-22	SEMS BOLT	14	
15-	9075681-00	BOLT	16	
16-	5242412-53	WASHER	2	
17-	5242288-74	NUT BRG LOCK	2	
18-	5242465-56	SET SCREW	2	

## DRIVE AXLE FOR RK/TK/TKE

Item	PartNo.	Description	Q'ty	Remarks
19-	9157066-00	SHAFT DRIVE AXLE	2	
20-	5242138-23	SEMS BOLT	16	
21-	5242433-19	(NA)COVER CENTER SECTION	1	
21-	5242953-98	COVER CENTER SECTION	1	
22-	5242133-52	SEMS BOLT	15	
23-	9003201-00	BREATHER AIR	1	
24-	9229049-04	PLUG	1	
25-	5800328-66	PLUG, OIL LEVEL	1	
26-	9221813-00	BLOCK 4 WAY	1	
27-	5242433-24	TUBE ASSY, L.H.	1	
28-	5242433-25	TUBE ASSY, R.H.	1	
29-	5242133-49	SEMS BOLT	1	
31-	9191943-00	PIPE ASSY	1	
32-	9000032-31	(NA)CLAMP	1	
32-	5042362-69	CLAMP	1	TO 2006.3
32-	5042362-69	CLAMP	2	FROM 2006.4
33-	5242155-47	FLANGE BOLT	4	
36-	0149315-00	FITTING PIPE	1	
37-	5242530-40	HUB	1	
38-	9099324-03	BEARING RADIAL ROLLER	1	
39-	9099324-04	BEARING RADIAL ROLLER	1	
40-	9208033-00	SEAL OIL	1	
41-	9037583-00	BOLT HUB	6	
42-	9292613-00	SEAL OIL	1*	
42-	5500394-39	SEAL OIL	AR	
43-	5242324-58	HANGER, L.H.	1	
44-	5242324-62	HANGER, R.H.	1	
45-	5800667-77	SPINDLE DRIVE AXLE	1	
46-	5800667-78	SPACER	1	
47-	5242749-80	ADAPTER	1	
48-	9108491-04	TUBE VINYL	2	
49-	9032591-02	TIE LAP	8	

**DRIVE AXLEFOR RK/TK/TKE**

Item	PartNo.	Description	Q'ty	Remarks
== END ==				

[PYMAKC https://find-parts.ru/](https://find-parts.ru/)

[PYMAKC https://find-parts.ru/](https://find-parts.ru/)

[PYMAKC https://find-parts.ru/](https://find-parts.ru/)

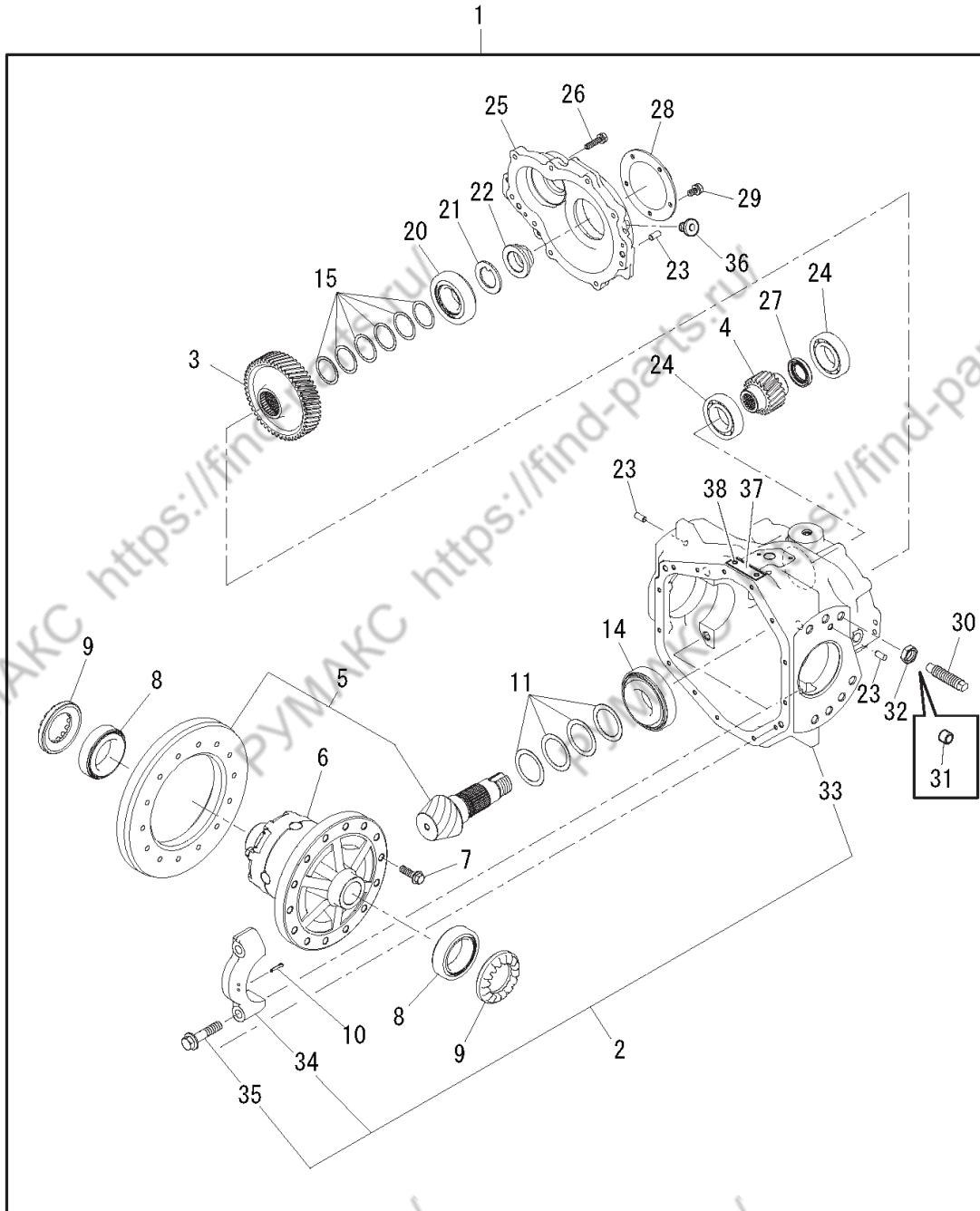
<https://find-parts.ru/>

<https://find-parts.ru/>

<https://find-parts.ru/>

CENTER SECTION ASSY INNER PARTS FOR RK/TK/TKE

FOR RK/TK/TKE



Service Bulletin	Change Item	Interchangeability
B-11723912A	Item 1, 25	Refer to Service Bulletin
B-142902	Item 1, 2	Refer to Service Bulletin
B-115798	Item 23	Refer to Service Bulletin
B-11359778	Item 30, 31	Refer to Service Bulletin

## CENTER SECTION ASSY INNER PARTS FOR RK/TK/TKE

Item	PartNo.	Description	Q'ty	Remarks
1-	5242324-50	(NA)CENTER SECTION ASSY	1	INCL 2-32 20,25RK/TK
1-	5243266-67	(NA)CENTER SECTION ASSY	1	INCL 2-32 20,25RK/TK
1-	5500239-01	CENTER SECTION ASSY	1	INCL 2-32,36-38 20,25RK/TK
1-	5242324-51	(NA)CENTER SECTION ASSY	1	INCL 2-32 GP/GTP/GLP35TK
1-	5243266-68	(NA)CENTER SECTION ASSY	1	INCL 2-32 GP/GTP/GLP35TK
1-	5500239-02	CENTER SECTION ASSY	1	INCL 2-32,36-38 GP/GTP/GLP35TK
1-	5242324-52	(NA)CENTER SECTION ASSY	1	INCL 2-32 30TK/GDP35TK
1-	5243266-69	(NA)CENTER SECTION ASSY	1	INCL 2-32 30TK/GDP35TK
1-	5500239-03	CENTER SECTION ASSY	1	INCL 2-32,36-38 30TK/GDP35TK
2-	5242433-14	(NA)HOUSING CENTER SECYION ASSY	1	INCL.33-35
2-	5242609-86	(NA)HOUSING CENTER SECYION ASSY	1	INCL.33-35
2-	5500239-05	HOUSING CENTER SECYION ASSY	1	INCL.33-35
3-	5242085-09	GEAR, DRIVEN	1	20,25RK/TK
3-	5242085-08	GEAR, DRIVEN	1	GP/GTP/GLP35TK
3-	5242085-07	GEAR, DRIVEN	1	30TK, GDP35TK
4-	5242085-02	GEAR DRIVE	1	20,25RK/TK
4-	5242343-98	GEAR DRIVE	1	GP/GTP/GLP35TK
4-	5242085-02	GEAR DRIVE	1	30TK, GDP35TK
5-	5800387-56	GEAR SET, HYPOID	1	
6-	5800658-98	DIFFERENTIAL ASSY	1	
7-	9099644-01	DURLOK BOLT M12	14	
8-	9099324-02	RADIAL ROLLER BEARING	2	
9-	9000133-00	RETAINER, DIFFERENTIAL BEARING	2	
10-	5242497-32	PIN, COTTER	2	
11-	5800408-85	SHIM T=1.0	1*	
11-	5800408-82	SHIM T=0.3	AR	
11-	5800408-83	SHIM T=0.4	AR	
11-	5800408-84	SHIM T=0.5	AR	
14-	9099324-38	BEARING CONE ROLLER	1	
15-	5800338-80	SHIM T=0.5	2*	
15-	5800338-76	SHIM T=0.12	AR	
15-	5800338-77	SHIM T=0.15	AR	



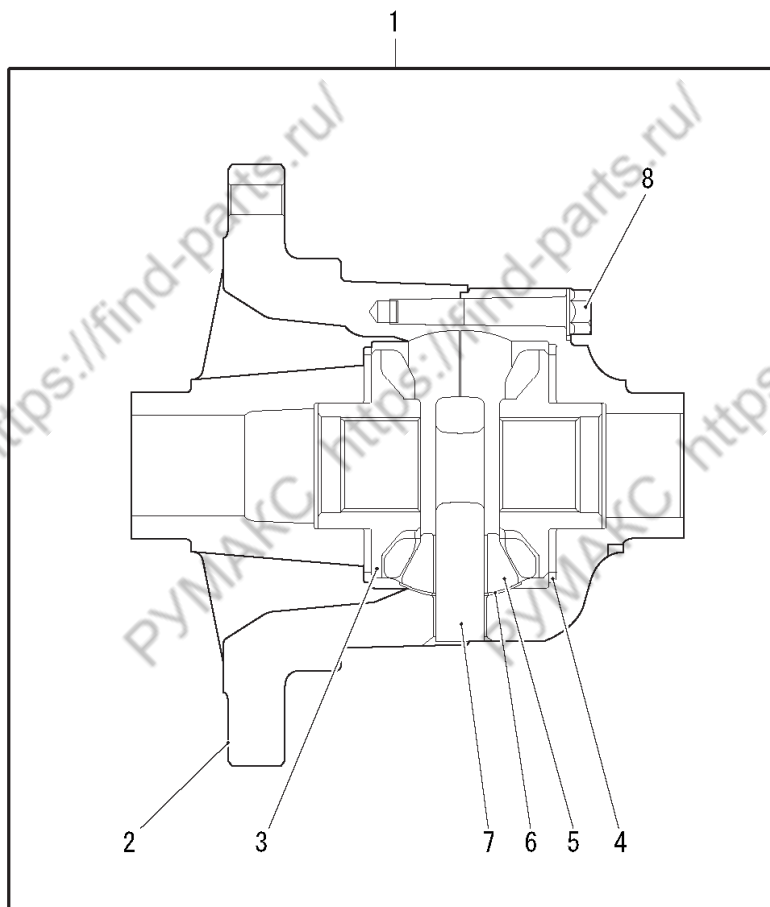
## CENTER SECTION ASSY INNER PARTS FOR RK/TK/TKE

Item	PartNo.	Description	Q'ty	Remarks
15-	5800338-78	SHIM T=0.18	AR	
15-	5800338-79	SHIM T=0.25	AR	
20-	9505139-05	BEARING CONE ROLLER	1	
21-	5800378-36	WASHER, STAKE NUT	1	
22-	9242344-01	NUT STAKE	1	
23-	5059675-44	PIN	AR	10X24
23-	5243012-36	PIN	4	10X25
24-	5800348-89	RADIAL BALL BEARING	2	
25-	5242433-17	(NA)HOUSING, DROPBOX	1	
25-	5243260-74	(NA)HOUSING, DROPBOX	1	
25-	5243258-24	HOUSING, DROPBOX	1	
26-	5242317-20	FLANGE BOLT	9	
27-	5800347-54	OIL SEAL	1	
28-	5800329-75	COVER PINION	1	
29-	5242133-52	SEMS BOLT	5	
30-	5242476-46	(NA)SCREW THRUST	1	TO 2006.9
30-	5242840-75	SCREW THRUST	1	FROM 2006.10
31-	5242476-47	(NA)PLUG, TRUST	1	TO 2006.9
32-	5800227-46	NUT	1	
33-	NSS	CASTING, HSG CENTER SECTION	1	
34-	5800558-00	CAP BEARING	2	
35-	5242138-20	SEMS BOLT	4	
36-	9099194-01	PLUG	1	FROM 2008.8
37-	NSS	PLATE NAME	1	
38-	0149893-00	RIVET	2	

== END ==

**DIFFERENTIAL ASSY INNER PARTS FOR RK/TK/TKE**

for RK/TK/TKE



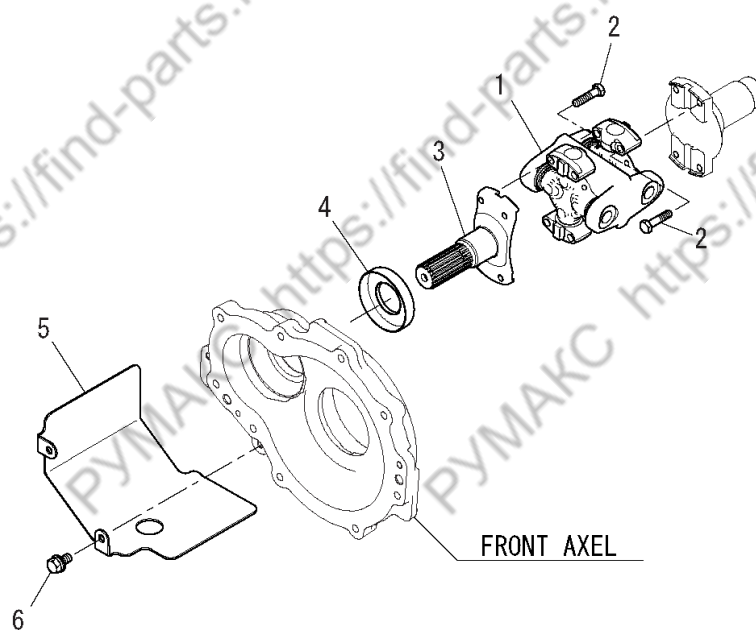
Item NO.	Description	Remarks
9	WASHER KIT	INCL.4, 6
10	GEAR KIT	INCL.3, 5

**DIFFERENTIAL ASSY INNER PARTS FOR RK/TK/TKE**

Item	PartNo.	Description	Q'ty	Remarks
1-	5800658-98	DIFFERENTIAL ASSY	1	INCL.2-8
2-	NSS	CASE SET, DIFFERENTIAL	1	
3-	x	GEAR, SIDE	2	
4-	xx	WASHER, SIDE GEAR	2	
5-	x	PINION, DIFFERENTIAL	4	
6-	xx	WASHER, PINION	4	
7-	9022548-06	SPIDER, DIFFERENTIAL	1	
8-	5800513-37	BOLT, DIFFERENTIAL CASE	8	
9-	5800513-36	WASHER KIT	1	INCL.xx
10-	5800645-95	GEAR KIT	1	INCL.x

== END ==

# UNIVERSAL JOINT GROUP



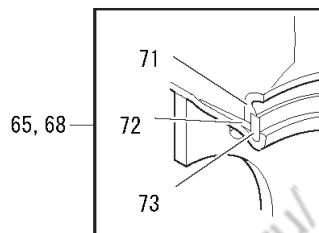
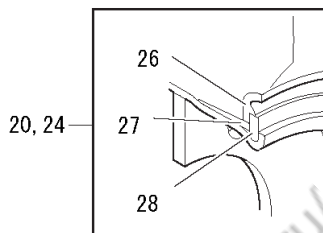
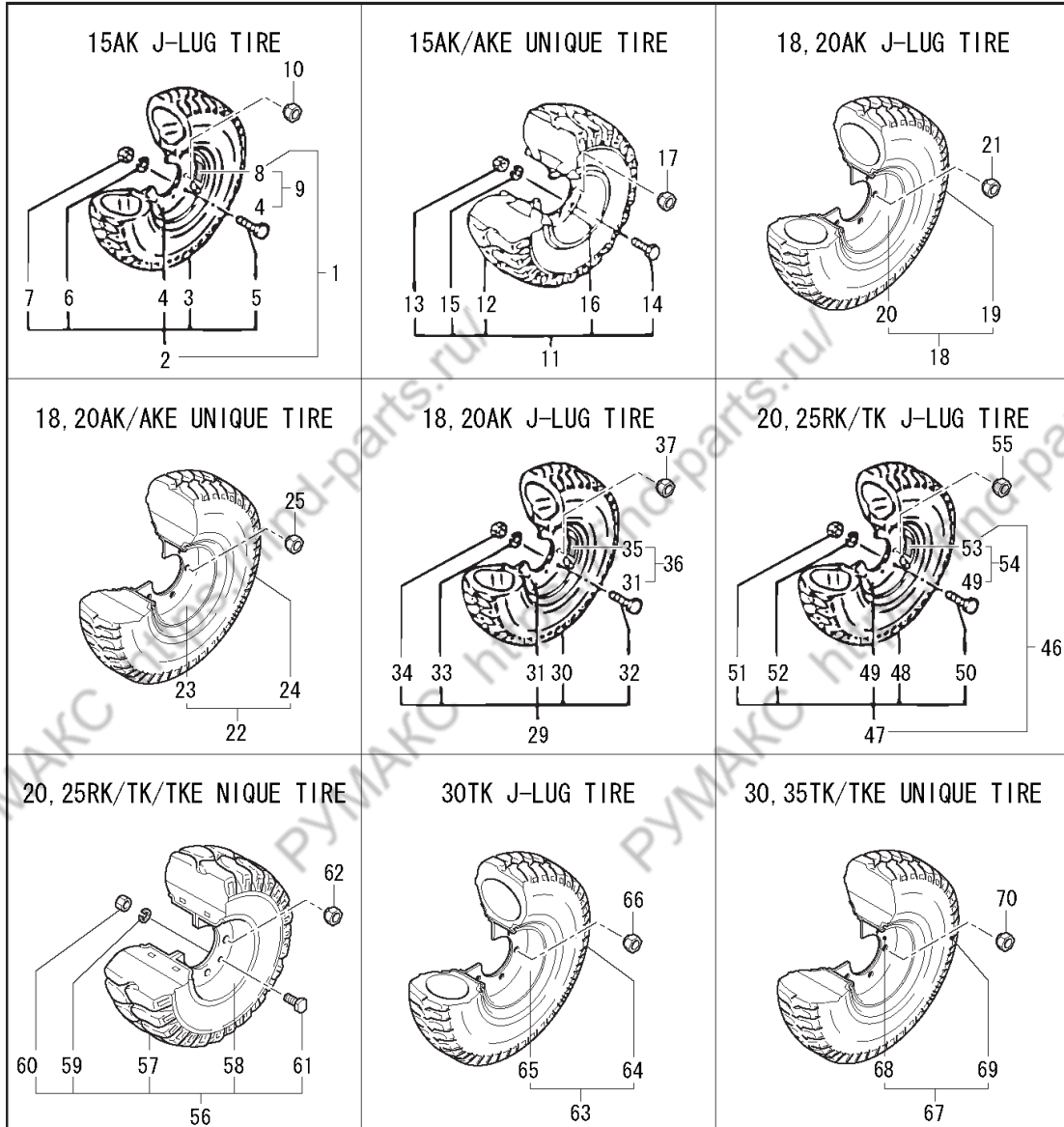
Service Bulletin	Change Item	Interchangeability
B-142016	Item 1	Refer to Service Bulletin

## UNIVERSAL JOINT GROUP

Item	PartNo.	Description	Q'ty	Remarks
1-	5800451-95	4C/R DRIVE SHAFT ASSY	1*	W/O GREASE NIPPLE
1-	5500179-68	4C/R DRIVE SHAFT ASSY	AR	W/GREASE NIPPLE
2-	9310139-07	BOLT	8	
3-	5800333-39	INPUT SHAFT	1	
4-	5800329-73	COVER DUST	1	
5-	5242498-98	(NA)COVER UNIVERSAL JOINT	1	
5-	5242807-04	COVER UNIVERSAL JOINT	1	
6-	5242133-83	SEMS BOLT	2	
== END ==				

DRIVE TIRE

DRAIVE TIRE



Service Bulletin	Change Item	Interchangeability
B-119140	Item 20, 24, 26, 27, 28 65, 68, 71, 72, 73	Refer to Service Bulletin
B-142627	Item 46, 47, 48	Refer to Service Bulletin
B-114282	Item 66, 70	Refer to Service Bulletin

## DRIVE TIRE

Item	PartNo.	Description	Q'ty	Remarks
1-	9169936-05	TIRE & DECAL ASSY ENGLISH	2	INCL.2,8 15AK FOR KOR
1-	9169936-07	TIRE & DECAL ASSY SPANISH	2	INCL.2,8 15AK FOR LAO
1-	5243115-63	TIRE & DECAL ASSY RUSSIAN	2	INCL.2,8 15AK FOR EUR
2-	9058334-02	6.00-9-10PR J-LUG TIRE ASSY	2	INCL.3-7
3-	9045751-01	6.00-9-10PR J-LUG TIRE	1	
4-	9000074-00	4.00E-9 RIM WHEEL	1	
5-	9062681-00	STUD RIM	6	
6-	4490220-17	LOCKWASHER	6	
7-	9372009-03	NUT SMALL	6	
8-	5800003-29	LABEL SPLIT WHEEL WARNING ENGLISH	2	FOR KOR
8-	9000042-67	LABEL SPLIT WHEEL WARNING SPANISH	2	FOR LAO
8-	9000092-52	LABEL SPLIT WHEEL WARNING RUSSIAN	2	FOR EUR
9-	9260974-21	WHEEL & DECAL ASSY ENGLISH	1	INCL.4,8 FOR KOR
9-	9260974-22	WHEEL & DECAL ASSY SPANISH	1	INCL.4,8 FOR LAO
9-	5243115-64	WHEEL & DECAL ASSY RUSSIAN	1	INCL.4,8 FOR EUR
10-	9001263-08	NUT, HUB	12	
11-	9038674-01	6.00-9 UNIQUE TIRE ASSY	2	15AK/AKE FOR ASIA/AUS INCL.12-16
12-	9233534-03	6.00-9 UNIQUE TIRE	1	
13-	9372009-03	NUT SMALL	6	
14-	9062681-00	STUD RIM	6	
15-	4490220-17	LOCKWASHER	6	
16-	9000074-00	4.00E-9 RIM WHEEL	1	
17-	9001263-08	NUT, HUB	12	
18-	5242099-08	21X8-9-14 BS J-LUG TIRE ASSY	2	INCL.19,20 18,20AK FOR KOR/LAO/BZL
19-	9045751-14	21X8-9-14 BS J-LUG TIRE	1	
20-	9204346-00	(NA)6.00E-9 DISK WHEEL ASSY	1	INCL.26-28 SOLIDEAL
20-	5820040-06	6.00E-9 DISK WHEEL ASSY	1	INCL.26-28 REMMERZ
21-	9001263-08	NUT, HUB	12	
22-	5242099-10	21X8-9 UNIQUE TIRE ASSY	2	18,20AK/AKE FOR ASIA/AUS INCL.23,24
23-	9233534-16	21X8-9 UNIQUE TIRE	1	
24-	9204346-00	(NA)6.00E-9 DISK WHEEL ASSY	1	INCL.26-28 SOLIDEAL
24-	5820040-06	6.00E-9 DISK WHEEL ASSY	1	INCL.26-28 REMMERZ

## DRIVE TIRE

Item	PartNo.	Description	Q'ty	Remarks
25-	9001263-08	NUT, HUB	12	
26-	9323674-00	SIDE RING	1	SOLIDEAL
26-	5059705-99	SIDE RING	1	REMMERZ
27-	9323824-00	BEAT SEAT BAND	1	SOLIDEAL
27-	5800573-14	BEAT SEAT BAND	1	REMMERZ
28-	9323754-00	LOCK RING	1	SOLIDEAL
28-	5059705-98	LOCK RING	1	REMMERZ
29-	5243115-65	TIRE & DECAL ASSY RUSSIAN	2	INCL.30-34 18,20AK FOR EUR
30-	9045751-02	6.50-10-10 PR J-LUG TIRE	1	
31-	9000084-00	4.00E-9 RIM WHEEL	1	
32-	9062681-00	STUD RIM	6	
33-	4490220-17	LOCKWASHER	6	
34-	9372009-03	NUT SMALL	6	
35-	9000092-52	LABEL SPLIT WHEEL WARNING RUSSIAN	2	
36-	5243115-66	WHEEL & DECAL ASSY RUSSIAN	1	INCL.31,35 FOR EUR
37-	9001263-08	NUT, HUB	12	
46-	9169926-05	TIRE & DECAL ASSY ENGLISH	2	INCL.47,53 20,25RK/TK FOR KOR
46-	9169926-07	(NA)TIRE & DECAL ASSY SPANISH	2	INCL.47,53 20,25RK/TK FOR LAO BS
46-	5500254-28	TIRE & DECAL ASSY SPANISH	2	INCL.47,53 20,25RK/TK FOR LAO DL
46-	5243115-81	TIRE & DECAL ASSY RUSSIAN	2	INCL.27,33 20,25RK/TK FOR EUR
47-	9058334-03	7.00-12-12PR J-LUG TIRE ASSY	2	INCL.48-52 BS
47-	9097906-16	7.00-12-12PR J-LUG TIRE ASSY	2	INCL.48-52 DL
48-	9045751-03	7.00-12-12PR J-LUG TIRE	1	BS
48-	9045771-03	7.00-12-12PR J-LUG TIRE	1	DL
49-	9002474-00	5.00S-12 RIM WHEEL	1	
50-	9066461-00	STUD RIM	6	
51-	4490150-11	NUT	6	
52-	4490220-41	LOCKWASHER	6	
53-	5800003-29	LABEL SPLIT WHEEL WARNING ENGLISH	2	FOR KOR
53-	9000042-67	LABEL SPLIT WHEEL WARNING SPANISH	2	FOR LAO
53-	9000092-52	LABEL SPLIT WHEEL WARNING RUSSIAN	2	FOR EUR
54-	9260974-01	WHEEL & DECAL ASSY ENGLISH	1	INCL.49,53 FOR KOR



## DRIVE TIRE

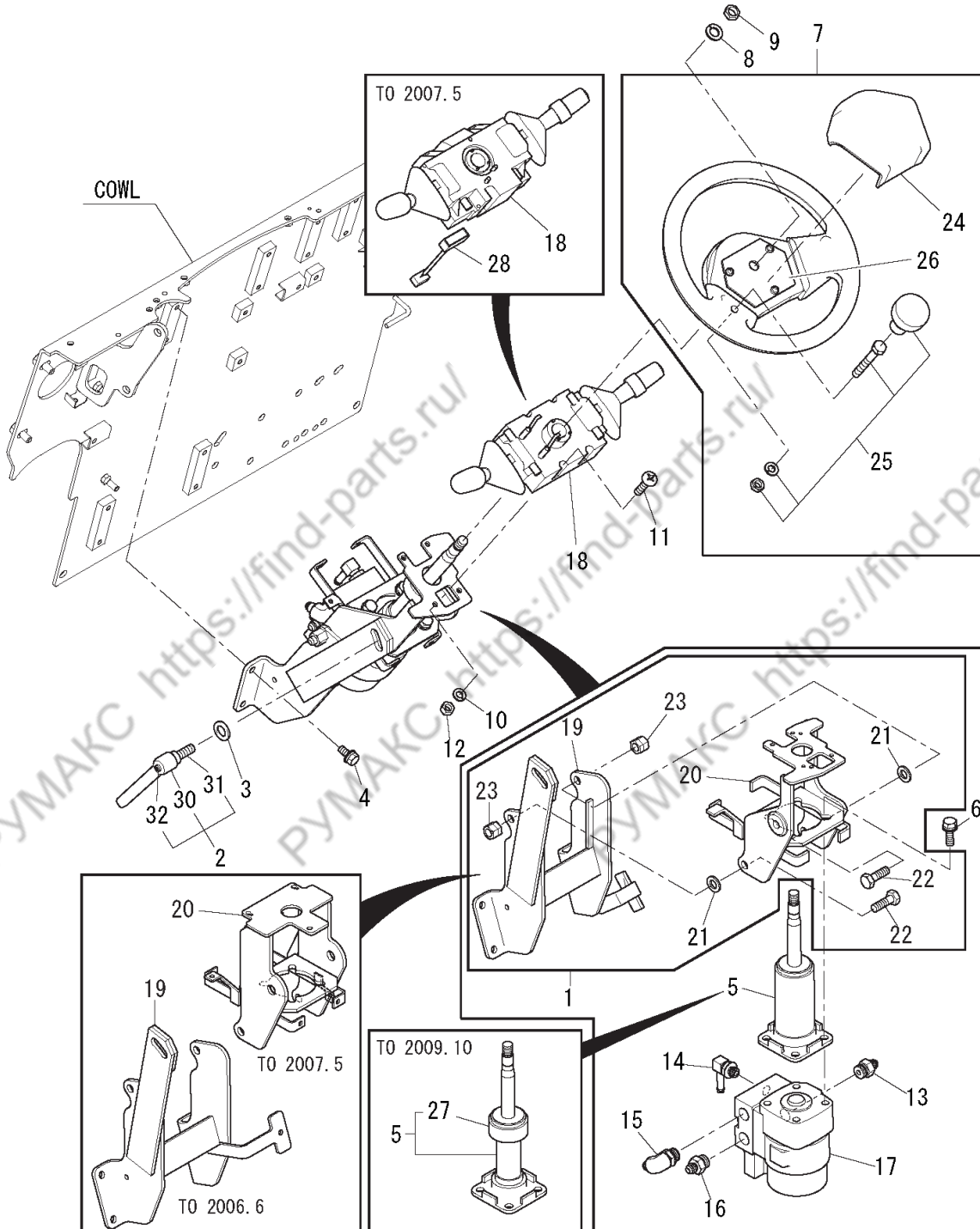
Item	PartNo.	Description	Q'ty	Remarks
54-	9260974-02	WHEEL & DECAL ASSY SPANISH	1	INCL.49,53 FOR LAO
54-	5243115-82	WHEEL & DECAL ASSY RUSSIAN	1	INCL.49,53 FOR EUR
55-	9001263-07	NUT, HUB	12	
56-	9038694-01	7.00-12 UNIQUE TIRE ASSY	2	INCL.57-61 20,25RK/TK/TKE FOR ASIA/AUS
57-	9233534-05	7.00-12 UNIQUE TIRE	1	
58-	9002474-00	5.00S-12 RIM WHEEL	1	
59-	4490220-41	LOCKWASHER	6	
60-	4490150-11	NUT	6	
61-	9066461-00	STUD RIM	6	
62-	9001263-07	NUT, HUB	12	
63-	9204586-03	28X9-15-12PR BS J-LUG TIRE ASSY	1	INCL.64,65 30TK FOR KOR/LAO/EUR
64-	9072814-00	28X9-15-12PR BS J-LUG TIRE	1	
65-	9204426-00	(NA)7.00-15 DISK WHEEL ASSY	1	INCL.71-73 SOLIDEAL
65-	5820040-10	7.00-15 DISK WHEEL ASSY	1	INCL.71-73 REMMERZ
66-	9001263-07	NUT, HUB	12	
67-	9204576-08	28X9-15 AICHI UNIQUE TIRE ASSY	1	INCL.68,69 30,35TK/TKE FOR ASIA/AUS, 35TK FOR KOR/LAO/EUR
68-	9204426-00	(NA)7.00-15 DISK WHEEL ASSY	1	
68-	5820040-10	7.00-15 DISK WHEEL ASSY	1	INCL.71-73 REMMERZ
69-	9233534-06	28X9-15 AICHI UNIQUE TIRE	1	
70-	9001263-07	NUT, HUB	12	
71-	9323714-00	SIDE RING	1	SOLIDEAL
71-	5059705-54	SIDE RING	1	REMMERZ
72-	9323854-00	BEAT SEAT BAND	1	SOLIDEAL
72-	5800573-16	BEAT SEAT BAND	1	REMMERZ
73-	9323784-00	LOCK RING	1	SOLIDEAL
73-	5059715-15	LOCK RING	1	REMMERZ

== END ==

**2.00 Steering System**

STEER LINKAGE	.....	2.00- 3
ORBITROL ASSY INNER PARTS	.....	2.00- 7
COMBINATION LEVER ASSY INNER PARTS TO 2007.5	.....	2.00- 11
COMBINATION LEVER ASSY INNER PARTS FROM 2007.6	.....	2.00- 13
COLUMN STEER ASSY INNER PARTS	.....	2.00- 15
TRAIL AXLE FOR AK/AKE	.....	2.00- 17
TRAIL AXLE FOR RK/TK/TKE	.....	2.00- 21
POWER CYLINDER ASSY INNER PARTS	.....	2.00- 25
STEERING CYLINDER ASSY INNER PARTS	.....	2.00- 27
STEER TIRE	.....	2.00- 29

STEER LINKAGE



Service Bulletin	Change Item	Interchangeability
B-11300021	Item 1, 20	Refer to Service Bulletin
B-11359736	Item 1, 19	Refer to Service Bulletin
B-115588A	Item 1, 19	Refer to Service Bulletin
B-11359804	Item 1, 10, 11, 12, 18, 20, 28	Refer to Service Bulletin
B-116928	Item 1, 19	Refer to Service Bulletin
B-11359850	Item 2	Refer to Service Bulletin
B-11838326	Item 5, 27	Refer to Service Bulletin
B-119670	Item 17	Refer to Service Bulletin

## STEER LINKAGE

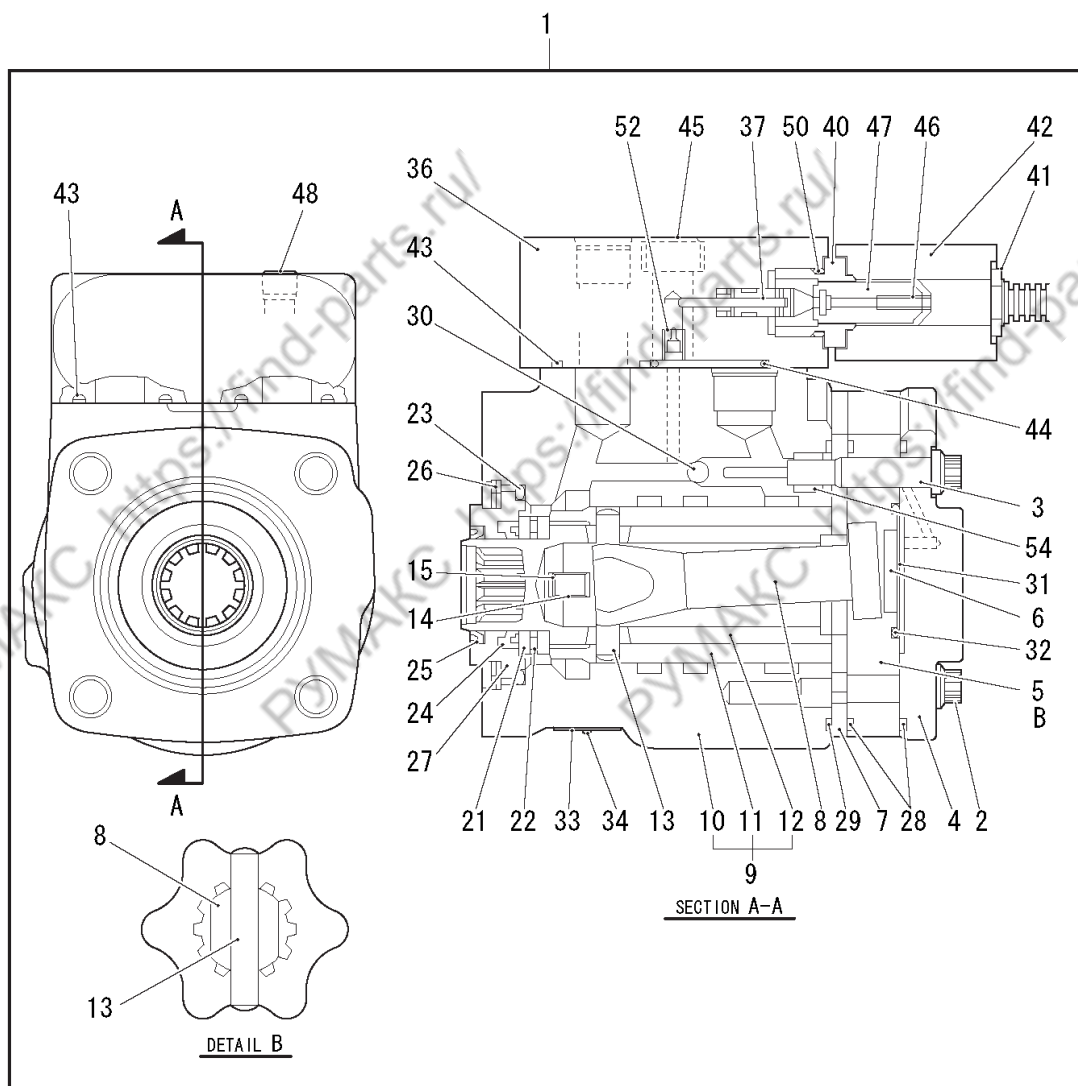
Item	PartNo.	Description	Q'ty	Remarks
1-	5242592-01	(NA)COLUMN SUPPORT ASSY	1	INCL.19-23 TO 2006.6
1-	5242774-26	(NA)COLUMN SUPPORT ASSY	1	INCL.19-23 TO 2006.6
1-	5242983-49	COLUMN SUPPORT ASSY	1	INCL.19-23 TO 2006.6
1-	5242786-75	(NA)COLUMN SUPPORT ASSY	1	INCL.19-23 FROM 2006.7 TO 2007.5
1-	5242979-44	COLUMN SUPPORT ASSY	1	INCL.19-23 FROM 2006.7 TO 2007.5
1-	5242967-41	(NA)COLUMN SUPPORT ASSY	1	INCL.19-23 FROM 2007.6
1-	5243176-46	COLUMN SUPPORT ASSY	1	INCL.19-23 FROM 2007.6
2-	5242345-07	(NA)LEVER	1	
2-	5243337-60	LEVER	1	INCL.30-32
3-	4490210-10	WASHER	1	
4-	5242133-84	SEMS BOLT	4	
5-	9199316-00	(NA)COLUMN STEER ASSY	1	INCL.27
5-	5500054-80	COLUMN STEER ASSY	1	
6-	5242133-92	SEMS BOLT	2	
7-	9198286-01	STEERING WHEEL ASSY	1	INCL.24-26
8-	4490220-20	LOCKWASHER	1	
9-	9375019-09	NUT SMALL	1	
10-	4490220-21	LOCKWASHER	3	TO 2007.5
10-	4490220-21	LOCKWASHER	4	FROM 2007.6
11-	4490070-42	SCREW	3	TO 2007.5
11-	4490070-42	SCREW	4	FROM 2007.6
12-	9371009-04	NUT	3	TO 2007.5
12-	9371009-04	NUT	4	FROM 2007.6
13-	9389623-00	CHECK VALVE CONNECTOR	1	
14-	0597264-00	NIPPLE HOSE FITTING	1	
15-	0557298-00	FITTING	1	
16-	0557464-00	FITTING	1	
17-	5242284-18	(NA)ORBITROL ASSY 80CC/REV	1	AK/AKE
17-	5500141-49	(NA)ORBITROL ASSY 80CC/REV	1	AK/AKE
17-	5500353-48	ORBITROL ASSY 80CC/REV	1	AK/AKE
17-	5242284-19	(NA)ORBITROL ASSY 105CC/REV	1	20,25RK/TK/TKE
17-	5500141-50	(NA)ORBITROL ASSY 105CC/REV	1	20,25RK/TK/TKE

## STEER LINKAGE

Item	PartNo.	Description	Q'ty	Remarks
17-	5500353-49	ORBITROL ASSY 105CC/REV	1	20,25RK/TK/TKE
17-	5242284-20	(NA)ORBITROL ASSY 120CC/REV	1	30,35TK/TKE
17-	5500141-51	(NA)ORBITROL ASSY 120CC/REV	1	30,35TK/TKE
17-	5500353-50	ORBITROL ASSY 120CC/REV	1	30,35TK/TKE
18-	9305404-02	COMBINATION LEVER ASSY	1	TO 2007.5
18-	5242874-60	COMBINATION LEVER ASSY	1	FROM 2007.6
19-	5242507-74	(NA)BRACKET, COLUMN	1	TO 2006.6
19-	5242983-50	BRACKET, COLUMN	1	TO 2006.6
19-	5242780-43	(NA)BRACKET, COLUMN	1	FROM 2006.7 TO 2007.5
19-	5243064-80	BRACKET, COLUMN	1	FROM 2006.7 TO 2007.5
19-	5242979-45	(NA)BRACKET, COLUMN	1	FROM 2007.6
19-	5243064-80	BRACKET, COLUMN	1	FROM 2007.6
20-	5242592-02	(NA)COLUMN SUPPORT	1	TO 2006.6
20-	5242774-27	COLUMN SUPPORT	1	FROM 2006.7 TO 2007.5
20-	5242967-42	COLUMN SUPPORT	1	FROM 2007.6
21-	4490210-10	WASHER	2	
22-	9301159-05	BOLT	2	
23-	9079684-05	HARD LOCK NUT	2	
24-	9024568-01	HORN PAD	1	
25-	9024568-02	KNOB ASSY	1	
26-	9024568-03	SWITCH KIT	1	
27-	NSS	FRONT PLATE COVER	1	TO 2009.10
28-	5800652-91	WIRE HARNESS, COLUMN SW. R.H.	1	TO 2007.5
30-	NSS	LEVER	1	
31-	NSS	SHAFT	1	
32-	9322009-02	BOLT	1	

== END ==

ORBITROL ASSY INNER PARTS



Item	Description	Remarks
56	SEAL KIT	INCL. 23, 24, 25, 28, 29, 32, 43, 44, 50
57	NEEDLE BEARING KIT	INCL. 21, 22

Service Bulletin	Change Item	Interchangeability
B-119670	Item 1	Refer to Service Bulletin

## ORBITROL ASSY INNER PARTS

Item	PartNo.	Description	Q'ty	Remarks
1-	5242284-18	(NA)ORBITROL ASSY 80CC/REV	1	INCL.2-55 AK/AKE
1-	5500141-49	(NA)ORBITROL ASSY 80CC/REV	1	INCL.2-55 AK/AKE
1-	5500353-48	ORBITROL ASSY 80CC/REV	1	INCL.2-55 AK/AKE
1-	5242284-19	(NA)ORBITROL ASSY 105CC/REV	1	INCL.2-55 20,25RK/TK/TKE
1-	5500141-50	(NA)ORBITROL ASSY 105CC/REV	1	INCL.2-55 20,25RK/TK/TKE
1-	5500353-49	ORBITROL ASSY 105CC/REV	1	INCL.2-55 20,25RK/TK/TKE
1-	5242284-20	(NA)ORBITROL ASSY 120CC/REV	1	INCL.2-55 30,35TK/TKE
1-	5500141-51	(NA)ORBITROL ASSY 120CC/REV	1	INCL.2-55 30,35TK/TKE
1-	5500353-50	ORBITROL ASSY 120CC/REV	1	INCL.2-55 30,35TK/TKE
2-	NSS	SCREW	6	
3-	NSS	RETAINER SCREW ASSY	1	
4-	NSS	END CAP	1	
5-	NSS	GEROTOR	1	
6-	NSS	SPACER	1	
7-	NSS	SPACER PLATE	1	
8-	NSS	DRIVE	1	
9-	NSS	CONTROL PARTS ASSY	1	INCL.10-12
10-	NSS	HOUSING	1	
11-	NSS	SLEEVE	1	
12-	NSS	SPOOL	1	
13-	NSS	PIN	1	
14-	NSS	CENTERING SPRING	4	
15-	NSS	FLAT SPRING	4	
21-	x	RACE BEARING	2	
22-	x	THRUST NEEDLE	1	
23-	xx	O-RING	1	
24-	xx	OIL SEAL	1	
25-	xx	DUST SEAL	1	
26-	NSS	RETAINING RING	1	
27-	NSS	SEAL GROUND BUSHING	1	
28-	xx	O-RING	2	
29-	xx	O-RING	1	

## ORBITROL ASSY INNER PARTS

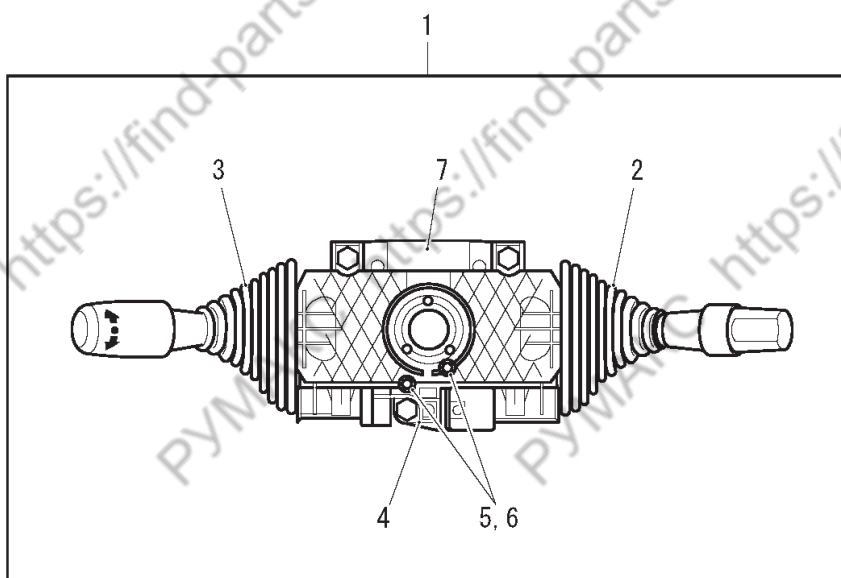
Item	PartNo.	Description	Q'ty	Remarks
30-	NSS	BALL	1	
31-	NSS	PLUG	1	
32-	xx	O-RING	1	
33-	NSS	NAME PLATE	1	
34-	NSS	RIVET	2	
36-	NSS	VALVE BLOCK	1	
37-	NSS	SPOOL	1	
40-	NSS	TUBE ASSY	1	
41-	NSS	NUT	1	
42-	NSS	COIL WITH CONNECTOR	1	
43-	xx	O-RING	4	
44-	xx	O-RING	1	
45-	5242506-44	BOLT	2	
46-	NSS	SPRING	1	
47-	NSS	CORE	1	
48-	NSS	PLUG	1	
50-	xx	O-RING	1	
52-	NSS	ORIFICE	1	
54-	NSS	ADAPTOR SCREW	1	
56-	5242506-45	(NA)SEAL KIT	1	INCL.xx
56-	5500353-96	SEAL KIT	1	INCL.xx
57-	5178128-10	NEEDLE BEARING KIT	1	INCL.x

== END ==



COMBINATION LEVER ASSY INNER PARTS TO 2007.5

TO 2007.5

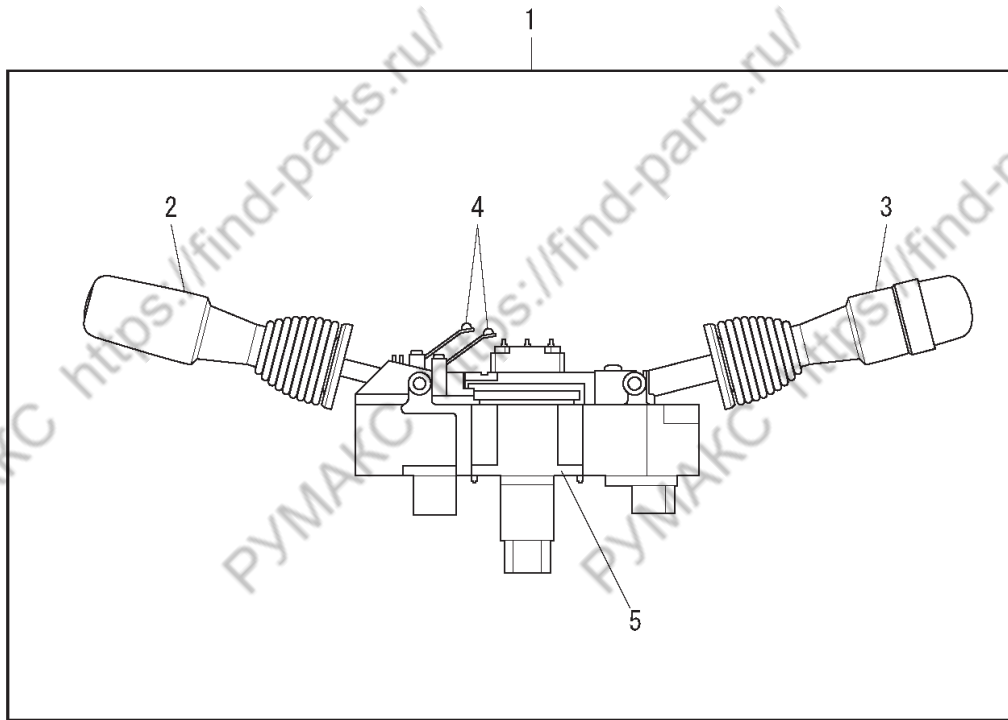


Service News	Change Item	Interchangeability
B-11359804	Item 1	Refer to Service News

**COMBINATION LEVER ASSY INNER PARTS TO 2007.5**

Item	PartNo.	Description	Q'ty	Remarks
1-	9305404-02	COMBINATION LEVER ASSY	1	INCL.2-7
2-	9025108-03	SWITCH ASSY	1	TURN SIGNAL
3-	9025108-04	SWITCH ASSY	1	DIRECTION
4-	5242082-46	BODY	1	
5-	5242082-47	HORN, CONTACT	2	
6-	5242082-48	SPRING, COMPRESSION	2	
7-	9025108-05	SENSOR ASSY	1	STEER ANGLE
== END ==				

COMBINATION LEVER ASSY INNER PARTS FROM 2007.6

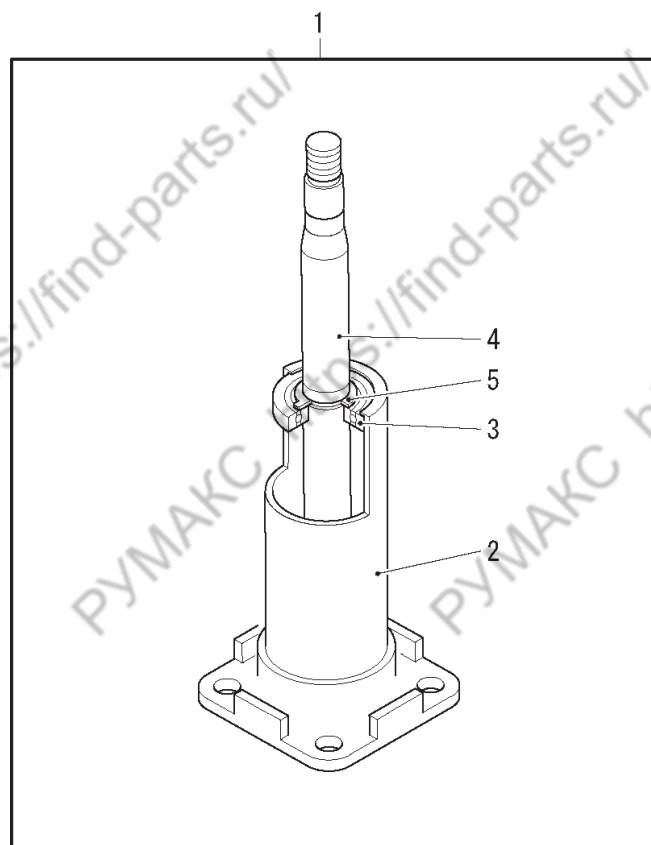


**COMBINATION LEVER ASSY INNER PARTS FROM 2007.6**

Item	PartNo.	Description	Q'ty	Remarks
1-	5242874-60	COMBINATION LEVER ASSY	1	INCL.2-5
2-	5243058-92	SWITCH, FNR ASSY	1	
3-	5243058-93	SWITCH, LIGHT & TURN	1	
4-	5243058-95	CONTACT, HORN	2	
5-	5243058-96	SENSOR, STEER ANGLE	1	

== END ==

COLUMN STEER ASSY INNER PARTS



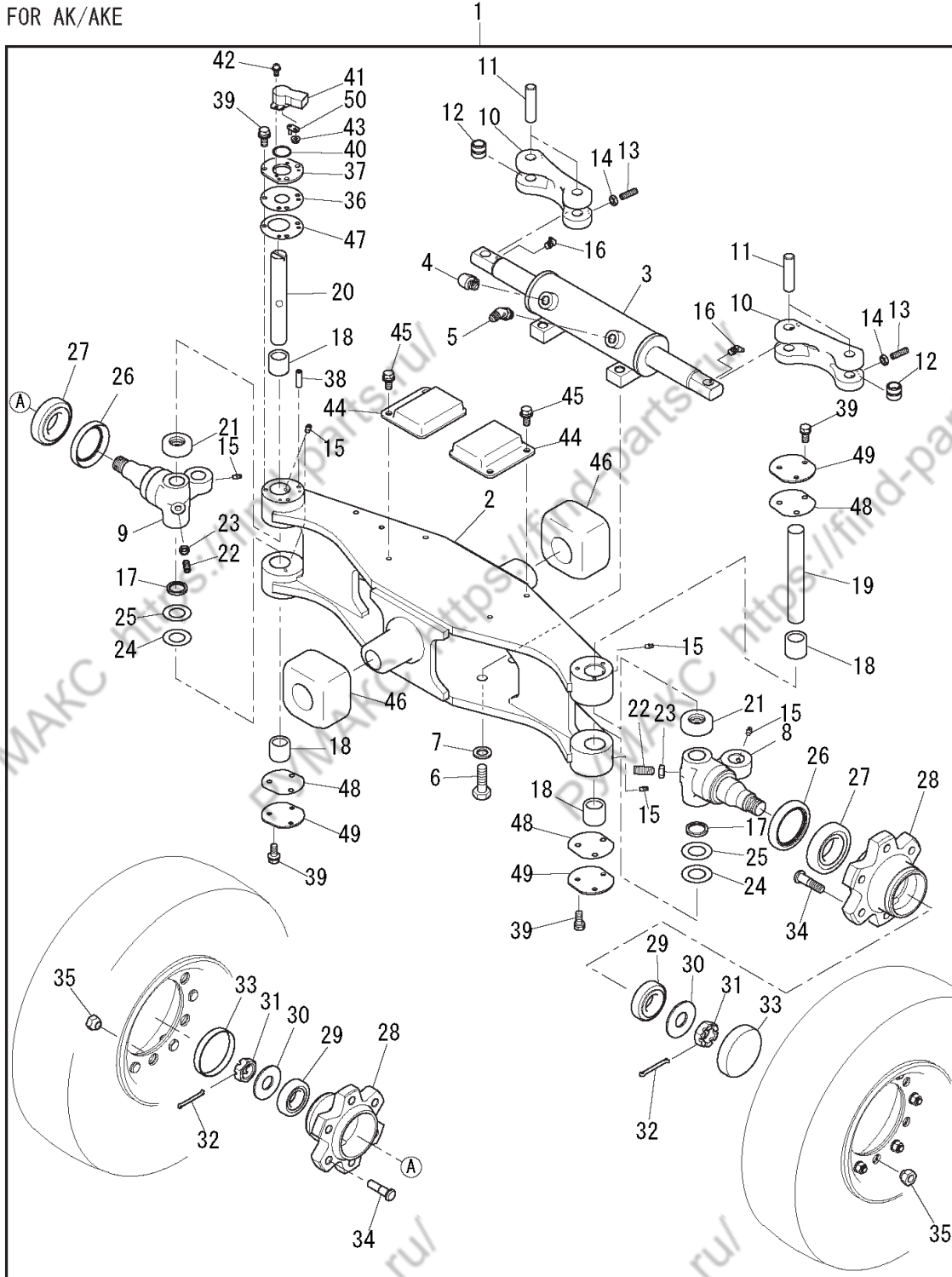
**COLUMN STEER ASSY INNER PARTS**

Item	PartNo.	Description	Q'ty	Remarks
1-	5500054-80	COLUMN STEER ASSY	1	INCL.2-5
2-	NSS	TUBE ASSY	1	
3-	NSS	BALL BEARING	1	
4-	NSS	SHAFT	1	
5-	4490290-25	RING RETAINING	1	

== END ==

TRAIL AXLE FOR AK/AKE

FOR AK/AKE



Service Bulletin	Change Item	Interchangeability
B-118077	Item 1, 3	Refer to Service Bulletin
B-142246A	Item 3	Refer to Service Bulletin

**TRAIL AXLE FOR AK/AKE**

Item	PartNo.	Description	Q'ty	Remarks
1-	5242495-06	(NA)TRAIL AXLE ASSY	1	INCL.2-50
1-	5243354-74	(NA)TRAIL AXLE ASSY	1	INCL.2-50
1-	5500376-86	TRAIL AXLE ASSY	1	INCL.2-50
2-	5242494-11	(NA)TRAIL AXLE	1	TO 2006.7
2-	5242826-60	TRAIL AXLE	1	FROM 2006.8
3-	5800665-06	(NA)POWER CYLINDER ASSY	1	
3-	5800935-34	(NA)POWER CYLINDER ASSY	1	
3-	5820095-60	STEERING CYLINDER ASSY	1	
4-	0526422-00	FITTING	1	
5-	0554857-00	FITTING	1	
6-	9310179-04	BOLT	4	
7-	5025669-03	WASHER	4	
8-	5242339-31	KNUCKLE L.H.	1	
9-	5242339-32	KNUCKLE R.H.	1	
10-	5242412-45	INTERMEDIATE LINK 1-2TON	2	
11-	9119823-00	PIN LINK	4	
12-	9119833-00	BUSHING LINK	2	
13-	9321169-10	BOLT	4	
14-	9375019-05	NUT JAM	4	
15-	4490760-05	GREASE NIPPLE	6	
16-	9537019-07	GREASE NIPPLE	2	
17-	9061501-00	OIL SEAL	2	
18-	9505209-15	BEARING NEEDLE ROLLER	4	
19-	9124103-00	PIN KING	1	
20-	9385253-00	PIN KING	1	
21-	9504309-12	BEARING THRUST BALL	2	
22-	9321189-08	SETSCREW SOCKET	2	
23-	9375019-07	NUT SMALL	2	
24-	9090193-02	SHIM WASHER	AR	
25-	9090193-03	SHIM WASHER	AR	
26-	9585069-95	SEAL OIL	2	
27-	9099324-06	BEARING	2	



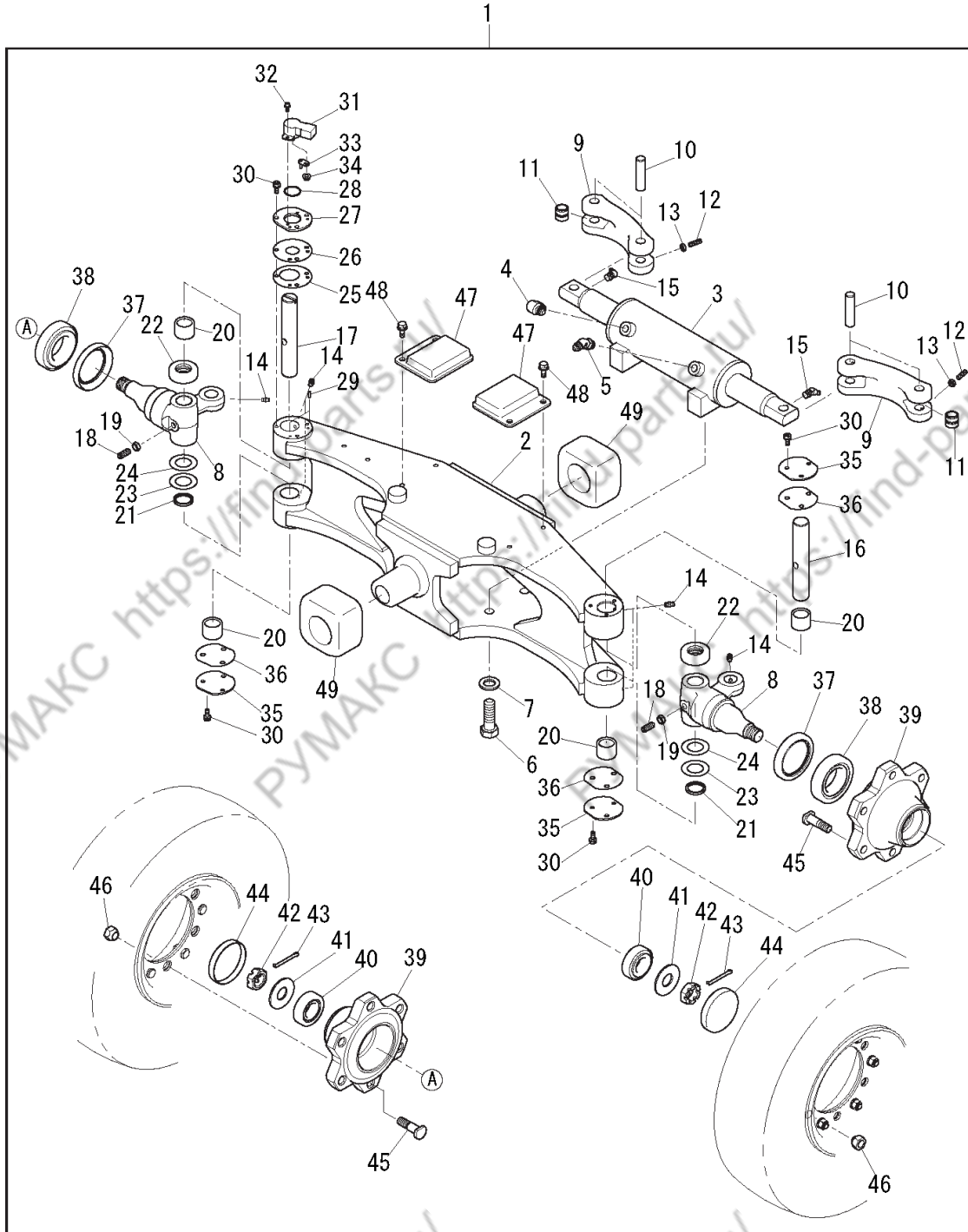
## TRAIL AXLE FOR AK/AKE

Item	PartNo.	Description	Q'ty	Remarks
28-	9063996-00	HUB	2	
29-	9099324-05	BEARING	2	
30-	9217873-00	WASHER	2	
31-	9099064-04	NUT SLOT	2	
32-	9517079-08	PIN STEEL COTTER	2	
33-	9223633-00	CAP HUB	2	
34-	9005251-00	BOLT HUB	12	
35-	9001263-01	NUT, HUB	12	
36-	5242261-90	PLATE RING	1	
37-	5242261-91	(NA)BRACKET, SENSOR	1	TO 2006.7
37-	5242809-97	BRACKET, SENSOR	1	FROM 2006.8
38-	9351793-00	(NA)PIN	2	TO 2006.7
39-	5242133-47	SEMS BOLT	12	
40-	5241754-54	O-RING	1	
41-	9388263-00	SENSOR STEERING	1	
42-	9099554-04	SCREW W/WASHER	2	
43-	5242133-40	FLANGE NUT	1	
44-	9303693-00	RUBBER PLATE	2	
45-	5242133-83	SEMS BOLT	4	
46-	9166673-00	RUBBER CUSHION 2 SHEETS	2	
47-	5242437-02	GASKET SENSOR	1	
48-	5242548-91	GASKET	3	
49-	5242548-90	PLATE	3	
50-	5242335-56	PLATE	1	

== END ==

TRAIL AXLE FOR RK/TK/TKE

FOR RK/TK/TKE



Service Bulletin	Change Item	Interchangeability
B-117177	Item 1, 8, 39, 40, 41, 42, 43	Refer to Service Bulletin
B-142899	Item 1, 2	Refer to Service Bulletin
B-114235	Item 2	Refer to Service Bulletin
B-142246A	Item 3	Refer to Service Bulletin

## TRAIL AXLE FOR RK/TK/TKE

Item	PartNo.	Description	Q'ty	Remarks
1-	5242495-07	(NA)TRAIL AXLE ASSY	1	INCL.2-49 20,25RK/TK
1-	5243241-97	(NA)TRAIL AXLE ASSY	1*	INCL.2-49 20,25RK/TK/TKE STEEL
1-	5500376-89	TRAIL AXLE ASSY	1*	INCL.2-49 20,25RK/TK/TKE STEEL
1-	5500016-23	(NA)TRAIL AXLE ASSY	AR	INCL.2-49 20,25RK/TK/TKE CASTING
1-	5242495-08	(NA)TRAIL AXLE ASSY	1	INCL.2-49 30,35TK
1-	5243229-12	(NA)TRAIL AXLE ASSY	1	INCL.2-49 30,35TK/TKE
1-	5500376-92	(NA)TRAIL AXLE ASSY	1	INCL.2-49 30,35TK/TKE
1-	5500413-04	TRAIL AXLE ASSY	1	INCL.2-49 30,35TK/TKE
2-	5242494-12	(NA)TRAIL AXLE	1	20,25RK/TK
2-	5242809-84	(NA)TRAIL AXLE	1	20,25RK/TK
2-	5242826-62	TRAIL AXLE	1*	20,25RK/TK/TKE STEEL
2-	5242968-89	(NA)TRAIL AXLE	AR	20,25RK/TK/TKE CASTING
2-	5242494-13	(NA)TRAIL AXLE	1	30,35TK
2-	5242809-85	(NA)TRAIL AXLE	1	30,35TK
2-	5242826-63	TRAIL AXLE	1	30,35TK/TKE
3-	5800665-07	(NA)POWER CYLINDER ASSY	1	20,25RK/TK/TKE
3-	5820095-61	STEERING CYLINDER ASSY	1	20,25RK/TK/TKE
3-	5800665-08	(NA)POWER CYLINDER ASSY	1	30,35TK/TKE
3-	5820095-62	STEERING CYLINDER ASSY	1	30,35TK/TKE
4-	0526422-00	FITTING	1	
5-	0554857-00	FITTING	1	
6-	3113230-23	BOLT	4	
7-	5025669-03	WASHER	4	
8-	5242331-09	KNUCKLE	2	M24
8-	5243170-77	KNUCKLE	2	M30
9-	5242412-46	INTERMEDIATE LINK 2-3.5TON	2	
10-	9119823-00	PIN LINK	4	
11-	9119833-00	BUSHING LINK	2	
12-	9321169-08	BOLT	4	
13-	9375019-05	NUT JAM	4	
14-	4490760-05	GREASE NIPPLE	6	
15-	9537019-07	GREASE NIPPLE	2	

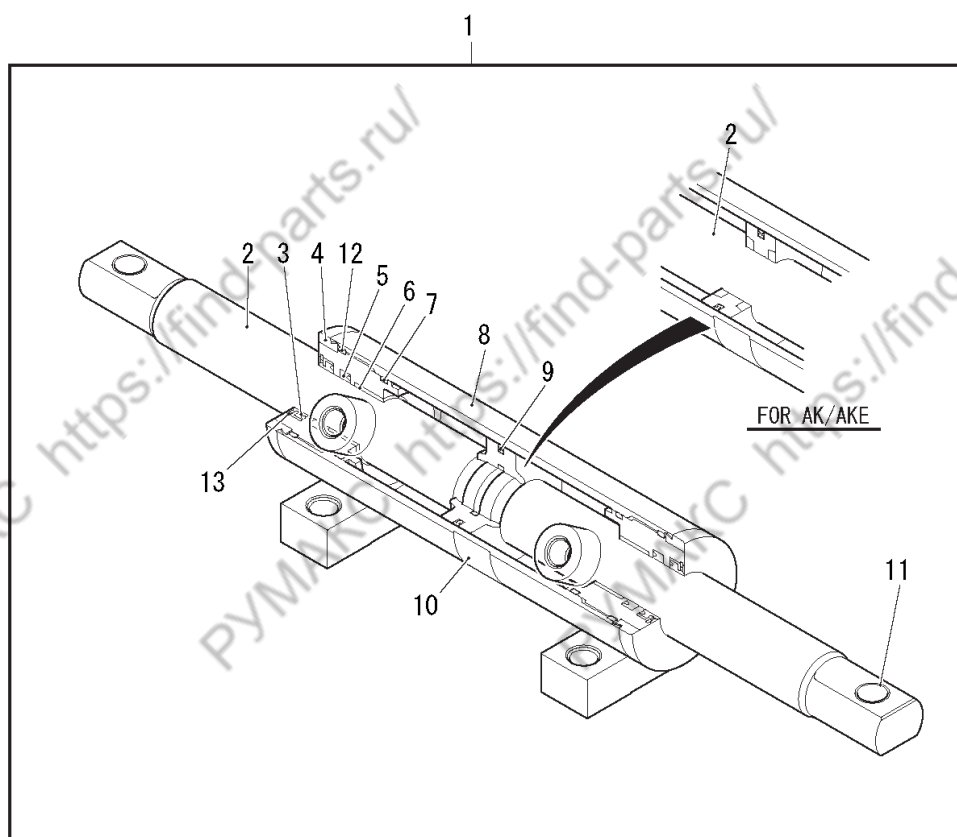
## TRAIL AXLE FOR RK/TK/TKE

Item	PartNo.	Description	Q'ty	Remarks
16-	9121143-00	PIN KING	1	
17-	9387903-00	PIN KING	1	
18-	9321189-08	SETSCREW SOCKET	2	
19-	9375019-07	NUT SMALL	2	
20-	9099324-08	BEARING RADIAL ROLLER	4	
21-	9183453-00	OIL SEAL	2	
22-	9099314-01	BEARING THRUST BALL	2	
23-	9105211-02	SHIM WASHER	AR	
24-	9105211-03	SHIM WASHER	AR	
25-	5242437-02	GASKET SENSOR	1	
26-	5242261-90	PLATE RING	1	
27-	5242261-91	(NA)BRACKET, SENSOR	1	TO 2006.7
27-	5242809-97	BRACKET, SENSOR	1	FROM 2006.8
28-	5241754-54	O-RING	1	
29-	9351793-00	(NA)PIN	2	TO 2006.7
30-	5242133-47	SEMS BOLT	12	
31-	9388263-00	SENSOR STEERING	1	
32-	9099554-04	SCREW W/WASHER	2	
33-	5242335-56	PLATE	1	
34-	5242133-40	FLANGE NUT	1	
35-	5242548-90	PLATE	3	
36-	5242548-91	GASKET	3	
37-	9585079-05	SEAL OIL	2	
38-	9099324-17	BEARING RADIAL ROLLER	2	
39-	5242461-23	HUB	2	INNER D62
39-	5243132-42	HUB	2	INNER D72
40-	5242143-93	TAPERED ROLLER BEARING	2	OUTER D62
40-	9099324-30	TAPERED ROLLER BEARING	2	OUTER D72
41-	9217873-00	WASHER	2	FOR M24
41-	5243132-46	WASHER	2	FOR M30
42-	9099064-04	NUT SLOT	2	M24
42-	5243195-48	NUT SLOT	2	M30

## TRAIL AXLE FOR RK/TK/TKE

Item	PartNo.	Description	Q'ty	Remarks
43-	9517079-08	PIN STEEL COTTER	2	5x50
43-	9517089-10	PIN STEEL COTTER	2	6x65
44-	9223633-00	CAP HUB	2	
45-	9037753-00	BOLT HUB	12	
46-	9001263-08	NUT, HUB	12	
47-	9303693-00	RUBBER PLATE	2	
48-	5242133-83	SEMS BOLT	4	
49-	9166673-00	RUBBER CUSHION 2 SHEETS	2	
== END ==				

POWER CYLINDER ASSY INNER PARTS



Item	Description	Remarks
14	ROD ASSY	INCL. 2, 11
15	ROD COVER ASSY	INCL. 4, 6
16	SEAL KIT	INCL. 3, 5, 7, 9, 12

Service Bulletin	Change Item	Interchangeability
B-118077	Item 1, 14	Refer to Service Bulletin
B-142246A	Item 1, 8, 11, 14, 15	Refer to Service Bulletin

## POWER CYLINDER ASSY INNER PARTS

Item	PartNo.	Description	Q'ty	Remarks
1-	5800665-06	(NA)POWER CYLINDER ASSY	1	INCL.2-13 AK
1-	5800935-34	(NA)POWER CYLINDER ASSY	1	INCL.2-13 AK/AKE
1-	5800665-07	(NA)POWER CYLINDER ASSY	1	INCL.2-13 20,25RK/TK/TKE
1-	5800665-08	(NA)POWER CYLINDER ASSY	1	INCL.2-13 30,35TK/TKE
2-	x	PISTON ROD	1	
3-	y	ROD SCRAPER	2	
4-	xx	ROD COVER	2	
5-	y	ROD PAKING	2	
6-	xx	BUSH	2	
7-	y	O-RING	2	
8-	5242456-21	(NA)CYLINDER ASSY	1	AK/AKE
8-	5242587-71	(NA)CYLINDER ASSY	1	20,25RK/TK/TKE
8-	5242456-56	(NA)CYLINDER ASSY	1	30,35TK/TKE
9-	y	PISTON SEAL	1	
10-	NSS	NAME PLATE	1	
11-	5242456-24	(NA)BUSH	2	
11-	5500212-12	BUSH	2	
12-	y	O-RING	2	
13-	5242587-92	SNAP RING	2	AK/AKE, 20,25RK/TK/TKE
13-	5242587-93	SNAP RING	2	30,35TK/TKE
14-	5242588-02	(NA)ROD ASSY	1	INCL.2,11 AK
14-	5243358-03	(NA)ROD ASSY	1	INCL.2,11 AK/AKE
14-	5242588-03	(NA)ROD ASSY	1	INCL.2,11 20,25RK/TK/TKE
14-	5242588-04	(NA)ROD ASSY	1	INCL.2,11 30,35TK/TKE
15-	5242588-05	(NA)ROD COVER ASSY	1	INCL.xx AK/AKE
15-	5242588-06	(NA)ROD COVER ASSY	1	INCL.xx 20,25RK/TK/TKE
15-	5242588-07	(NA)ROD COVER ASSY	1	INCL.xx 30,35TK/TKE
16-	5242588-08	(NA)SEAL KIT	1	INCL.y AK/AKE
16-	5500339-79	SEAL KIT	1	INCL.y AK/AKE
16-	5242588-09	(NA)SEAL KIT	1	INCL.y 20,25RK/TK/TKE
16-	9022838-51	SEAL KIT	1	INCL.y 20,25RK/TK/TKE
16-	5242588-10	(NA)SEAL KIT	1	INCL.y 30,35TK/TKE

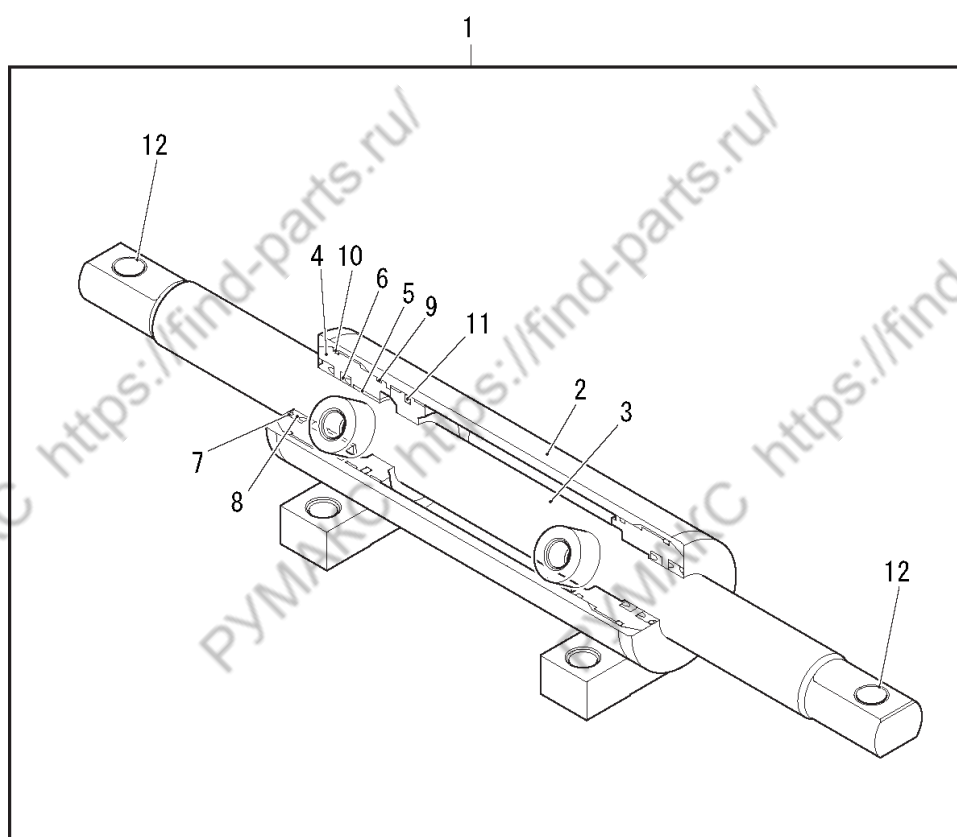
**POWER CYLINDER ASSY INNER PARTS**

Item	PartNo.	Description	Q'ty	Remarks
16-	5500339-80	SEAL KIT	1	INCL.y 30,35TK/TKE

== END ==



STEERING CYLINDER ASSY INNER PARTS



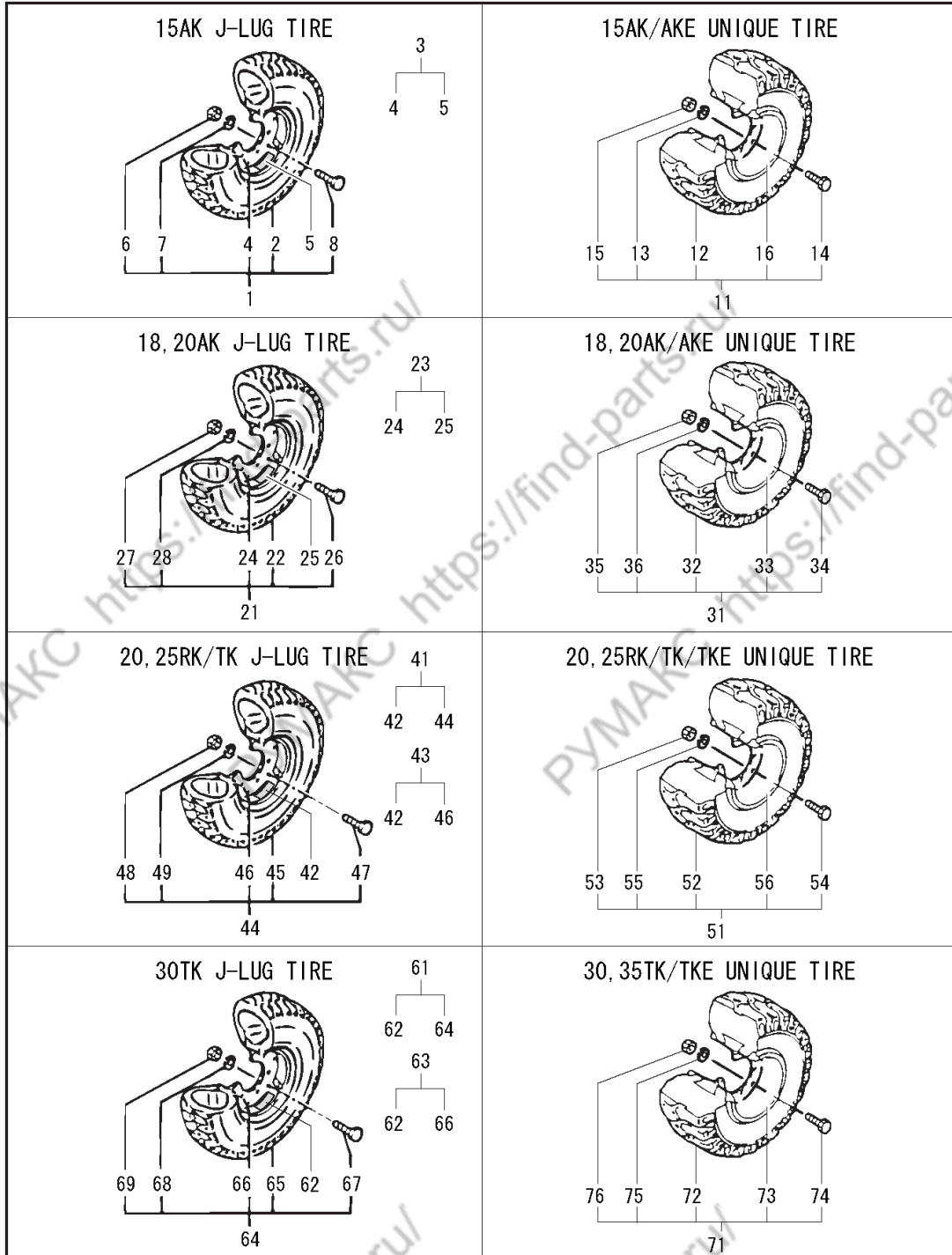
Item	Description	Remarks
13	SEAL KIT	INCL. 6, 7, 8, 9, 10, 11
14	KIT ROD ASSY	INCL. 3, 12
15	KIT CYLINDER HEAD	INCL. 4, 5

## STEERING CYLINDER ASSY INNER PARTS

Item	PartNo.	Description	Q'ty	Remarks
1-	5820095-60	STEERING CYLINDER ASSY	1	INCL.2-12 AK/AKE
1-	5820095-61	STEERING CYLINDER ASSY	1	INCL.2-12 20,25RK/TK/TKE
1-	5820095-62	STEERING CYLINDER ASSY	1	INCL.2-12 30,35TK/TKE
2-	NSS	CYLINDER TUBE ASSY	1	
3-	x	PISTON ROD ASSY	1	
4-	y	CYLINDER HEAD	2	
5-	y	BUSH	2	
6-	z	U-RING	2	
7-	z	WIPER RING	2	
8-	z	SNAP RING	2	
9-	z	O-RING	2	
10-	z	O-RING	2	
11-	z	PACKING	1	
12-	x	BUSHING PIN	2	
13-	5500339-79	SEAL KIT	1	INCL.z AK/AKE
13-	9022838-51	SEAL KIT	1	INCL.z 20,25RK/TK/TKE
13-	5500339-80	SEAL KIT	1	INCL.z 30,35TK/TKE
14-	5500212-28	KIT ROD ASSY	1	INCL.x AK/AKE
14-	5500212-29	KIT ROD ASSY	1	INCL.x 20,25RK/TK/TKE
14-	5500212-30	KIT ROD ASSY	1	INCL.x 30,35TK/TKE
15-	5500212-23	KIT CYLINDER HEAD	2	INCL.y AK/AKE
15-	5500212-24	KIT CYLINDER HEAD	2	INCL.y 20,25RK/TK/TKE
15-	5500212-25	KIT CYLINDER HEAD	2	INCL.y 30,35TK/TKE
== END ==				

STEER TIRE

STEER TIRE



Service Bulletin	Change Item	Interchangeability
B-118772	Item 1, 3, 4, 11, 16	Refer to Service Bulletin

## STEER TIRE

Item	PartNo.	Description	Q'ty	Remarks
1-	5242568-17	(NA)5.00-8-8 BS J-LUG TIRE ASSY W/DECAL ENGLISH	2	INCL.2-8 15AK FOR KOR
1-	5500049-40	5.00-8-8 BS J-LUG TIRE ASSY W/DECAL ENGLISH	2	INCL.2-8 15AK FOR KOR
1-	5242568-01	(NA)5.00-8-8 BS J-LUG TIRE ASSY W/DECAL SPANISH	2	INCL.2-8 15AK FOR LAO
1-	5500049-39	5.00-8-8 BS J-LUG TIRE ASSY W/DECAL SPANISH	2	INCL.2-8 15AK FOR LAO
1-	5243115-71	(NA)5.00-8-8 BS J-LUG TIRE ASSY W/DECAL RUSSIAN	2	INCL.2-8 15AK FOR EUR
1-	5500049-41	5.00-8-8 BS J-LUG TIRE ASSY W/DECAL RUSSIAN	2	INCL.2-8 15AK FOR EUR
2-	9045751-05	5.00-8-8PR J-LUG TIRE	1	
3-	9207344-06	(NA)WHEEL & DECAL ASSY ENGLISH	1	INCL.4,5 FOR KOR
3-	5500049-34	WHEEL & DECAL ASSY ENGLISH	1	INCL.4,5 FOR KOR
3-	5242568-19	(NA)WHEEL & DECAL ASSY SPANISH	1	INCL.4,5 FOR LAO
3-	5500049-35	WHEEL & DECAL ASSY SPANISH	1	INCL.4,5 FOR LAO
3-	5243115-72	(NA)WHEEL & DECAL ASSY RUSSIAN	1	INCL.4,5 FOR EUR
3-	5500049-36	WHEEL & DECAL ASSY RUSSIAN	1	INCL.4,5 FOR EUR
4-	9038714-00	(NA)3.00DX8DT(I) RIM WHEEL	1	
4-	5500049-26	3.00DX8DT(I) RIM WHEEL	1	
5-	5800003-29	LABEL SPLIT WHEEL WARNING ENGLISH	2	FOR KOR
5-	9000042-67	LABEL SPLIT WHEEL WARNING SPANISH	2	FOR LAO
5-	9000092-52	LABEL SPLIT WHEEL WARNING RUSSIAN	2	FOR EUR
6-	9372009-03	NUT SMALL	6	
7-	4490220-17	LOCKWASHER	6	
8-	9062681-00	STUD RIM	6	
11-	9234494-01	(NA)5.00-8 UNIQUE TIRE ASSY	2	INCL.12-16 15AK/AKE FOR ASIA/AUS
11-	5500049-54	5.00-8 UNIQUE TIRE ASSY	2	INCL.12-16 15AK/AKE FOR ASIA/AUS
12-	9233534-02	5.00-8 UNIQUE TIRE	1	
13-	4490220-17	LOCKWASHER	6	
14-	9062681-00	STUD RIM	6	
15-	9372009-03	NUT SMALL	6	
16-	9015814-00	(NA)WHEEL RIM	1	
16-	5500049-29	3.00DX8DT WHEEL RIM	1	
21-	5242568-04	18X7-8-10 TIRE ASSY BS J-LUG W/DECAL ENGLISH	2	INCL.22-28 18,20AK FOR KOR/BZL
21-	5242568-05	18X7-8-10 TIRE ASSY BS J-LUG W/DECAL SPANISH	2	INCL.22-28 18,20AK FOR LAO
21-	5243115-67	18X7-8-10 TIRE ASSY BS J-LUG W/DECAL RUSSIAN	2	INCL.22-28 18,20AK FOR EUR

## STEER TIRE

Item	PartNo.	Description	Q'ty	Remarks
22-	5242424-61	18X7-8-10 BS J-LUG TIRE	1	
23-	5242568-21	4.25X8 DT WHEEL & DECAL ASSY ENGLISH	1	INCL.24,25 FOR KOR/BZL
23-	5242568-22	4.25X8 DT WHEEL & DECAL ASSY SPANISH	1	INCL.24,25 FOR LAO
23-	5243115-68	4.25X8 DT WHEEL & DECAL ASSY RUSSIAN	1	INCL.24,25 FOR EUR
24-	9171104-00	4.25X8 DOT WHEEL	1	
25-	5800003-29	LABEL SPLIT WHEEL WARNING ENGLISH	2	FOR KOR
25-	9000042-67	LABEL SPLIT WHEEL WARNING SPANISH	2	FOR LAO
25-	9000092-52	LABEL SPLIT WHEEL WARNING RUSSIAN	2	FOR EUR
26-	9268673-00	STUD RIM	6	
27-	9372009-04	NUT SMALL	6	
28-	4490220-20	LOCKWASHER	6	
31-	5242248-57	18X7-8 SOLID TIRE ASSY	2	INCL.32-36 18,20AK/AKE FOR ASIA/AUS
32-	5242248-56	18X7-8 SOLID TIRE	1	
33-	9171104-00	4.25X8 DOT WHEEL	1	
34-	9268673-00	STUD RIM	6	
35-	9372009-04	NUT SMALL	6	
36-	4490220-20	LOCKWASHER	6	
41-	9169936-05	TIRE & DECAL ASSY ENGLISH	2	INCL.42,44 20,25RK/TK FOR KOR
41-	9169936-07	TIRE & DECAL ASSY SPANISH	2	INCL.42,44 20,25RK/TK FOR LAO
41-	5243115-63	TIRE & DECAL ASSY RUSSIAN	2	INCL.42,44 20,25RK/TK FOR EUR
42-	5800003-29	LABEL SPLIT WHEEL WARNING ENGLISH	2	FOR KOR
42-	9000042-67	LABEL SPLIT WHEEL WARNING SPANISH	2	FOR LAO
42-	9000092-52	LABEL SPLIT WHEEL WARNING RUSSIAN	2	FOR EUR
43-	9260974-21	WHEEL & DECAL ASSY ENGLISH	1	INCL.42,46 FOR KOR
43-	9260974-22	WHEEL & DECAL ASSY SPANISH	1	INCL.42,46 FOR LAO
43-	5243115-64	WHEEL & DECAL ASSY RUSSIAN	1	INCL.42,46 FOR EUR
44-	9058334-02	6.00-9-10PR J-LUG TIRE ASSY	2	INCL.45-49
45-	9045751-01	6.00-9-10PR J-LUG TIRE	1	
46-	9000074-00	4.00E-9 RIM WHEEL	1	
47-	9062681-00	STUD RIM	6	
48-	9372009-03	NUT SMALL	6	
49-	4490220-17	LOCKWASHER	6	

## STEER TIRE

Item	PartNo.	Description	Q'ty	Remarks
51-	9038674-01	6.00-9 UNIQUE TIRE ASSY	2	INCL.52-56 20,25RK/TK/TKE FOR ASIA/AUS
52-	9233534-03	6.00-9 UNIQUE TIRE	1	
53-	9372009-03	NUT SMALL	6	
54-	9062681-00	STUD RIM	6	
55-	4490220-17	LOCKWASHER	6	
56-	9000074-00	4.00E-9 RIM WHEEL	1	
61-	9169946-06	TIRE & DECAL ASSY ENGLISH	2	INCL.62,64 30TK FOR KOR
61-	9169946-07	TIRE & DECAL ASSY SPANISH	2	INCL.62,64 30TK FOR LAO
61-	5243115-83	TIRE & DECAL ASSY RUSSIAN	2	INCL.62,64 30TK FOR EUR
62-	5800003-29	LABEL SPLIT WHEEL WARNING ENGLISH	2	FOR KOR
62-	9000042-67	LABEL SPLIT WHEEL WARNING SPANISH	2	FOR LAO
62-	9000092-52	LABEL SPLIT WHEEL WARNING RUSSIAN	2	FOR EUR
63-	9260974-51	WHEEL & DECAL ASSY ENGLISH	1	INCL.62,66 FOR KOR
63-	9260974-52	WHEEL & DECAL ASSY SPANISH	1	INCL.62,66 FOR LAO
63-	5243115-84	WHEEL & DECAL ASSY RUSSIAN	1	INCL.62,66 FOR EUR
64-	5241900-88	6.50-10-10 PR J-LUG TIRE ASSY	2	INCL.65-69
65-	9045751-02	6.50-10-10 PR J-LUG TIRE	1	
66-	5241900-85	5.00FX10(I)DT WHEEL RIM	1	
67-	9268673-00	STUD RIM	6	
68-	4490220-20	LOCKWASHER	6	
69-	9372009-04	NUT SMALL	6	
71-	5241947-83	6.50-10 UNIQUE TIRE ASSY	2	INCL.72-76 30,35TK/TKE FOR ASIA/AUS, 35TK FOR EUR/LAO/KOR
72-	9233534-04	6.50-10 UNIQUE TIRE	1	
73-	5241900-85	5.00FX10(I)DT WHEEL RIM	1	
74-	9268673-00	STUD RIM	6	
75-	4490220-20	LOCKWASHER	6	
76-	9372009-04	NUT SMALL	6	
== END ==				

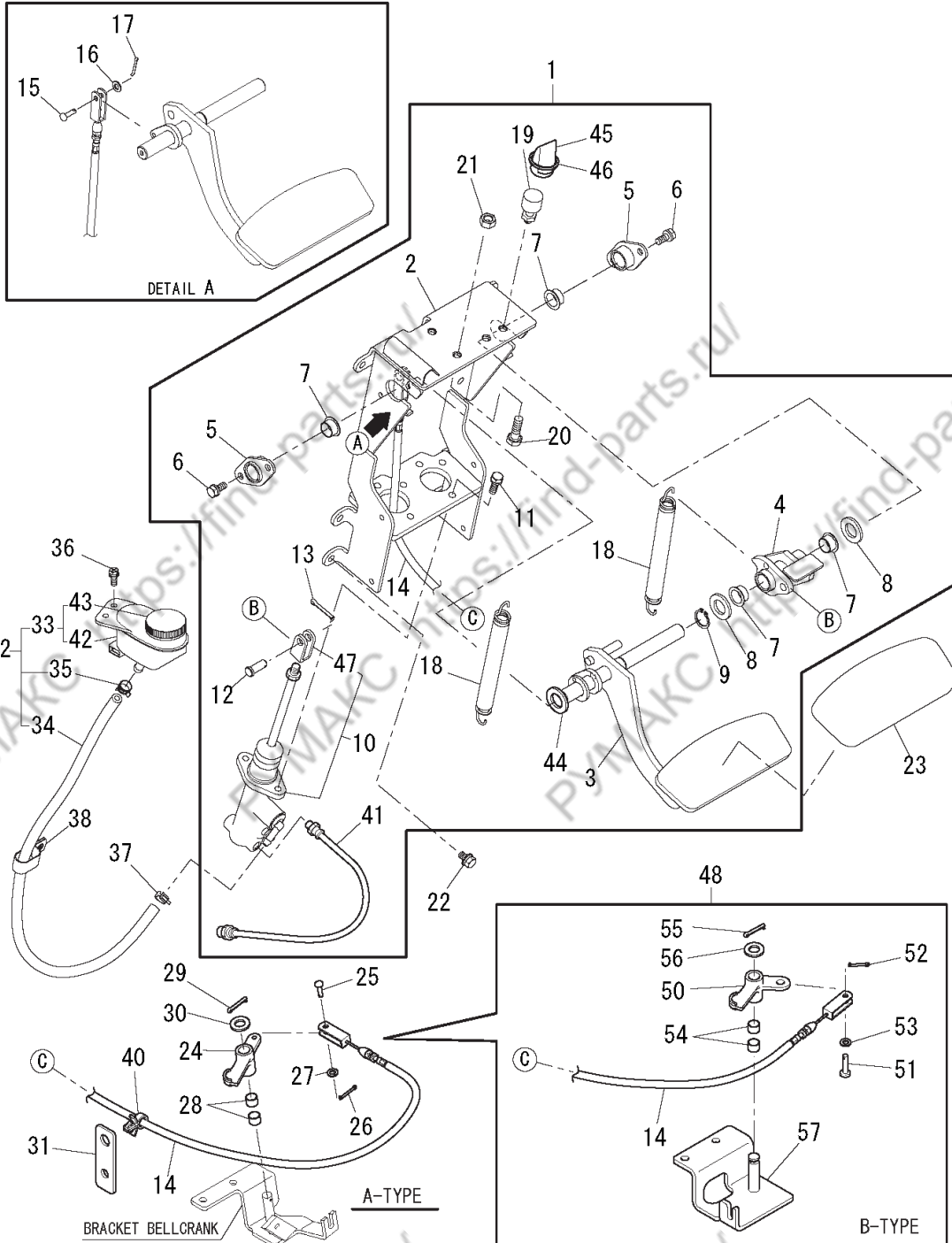
## 3.00 Brake System

**3.00**

SINGLE PEDAL LINKAGE	.....	3.00- 3
SEPARATE PEDAL LINKAGE	.....	3.00- 7
MASTER CYLINDER ASSY INNER PARTS	.....	3.00- 11
PARKING BRAKE ASSY	.....	3.00- 13
BRAKE ASSY INNER PARTS FOR AK/AKE	.....	3.00- 17
BRAKE ASSY INNER PARTS FOR RK/TK/TKE	.....	3.00- 19

SINGLE PEDAL LINKAGE

SINGLE PEDAL



Service Bulletin	Change Item	Interchangeability
B-115598A	Item 1, 41	Refer to Service Bulletin
B-115674	Item 1, 2, 14	Refer to Service Bulletin
B-116239	Item 1, 2	Refer to Service Bulletin
B-118028	Item 4	Refer to Service Bulletin
B-116524	Item 19	Refer to Service Bulletin
B-119403	Item 19	Refer to Service Bulletin
B-142273	Item 44	Refer to Service Bulletin



## SINGLE PEDAL LINKAGE

Item	PartNo.	Description	Q'ty	Remarks
1-	5242425-48	(NA)BRAKE PEDAL ASSY	1	INCL.2-21,44,45
1-	5242808-30	(NA)BRAKE PEDAL ASSY	1	INCL.2-21,41,44-47
1-	5242980-61	(NA)BRAKE PEDAL ASSY	1	INCL.2-21,41,44-47
1-	5243038-72	(NA)BRAKE PEDAL ASSY	1	INCL.2-21,41,44-47
1-	5243062-31	(NA)BRAKE PEDAL ASSY	1	INCL.2-21,41,44-47
1-	5500340-98	BRAKE PEDAL ASSY	1	INCL.2-21,41,44-47
2-	5242425-52	(NA)BRACKET, PEDAL	1	
2-	5242992-94	(NA)BRACKET, PEDAL	1	
2-	5243062-35	BRACKET, PEDAL	1	
3-	5242425-61	PEDAL	1	
4-	5242808-09	(NA)BELLCRANK	1	
4-	5242466-39	(NA)BELLCRANK	1	
4-	5243332-62	BELLCRANK	1	
5-	5242311-39	PLATE BOSS	2	
6-	5242133-51	SEMS BOLT	4	
7-	5242168-95	BUSH	4	
8-	5800511-78	WASHER	2	
9-	4490290-24	RING RETAINING	1	
10-	5242311-55	MASTER CYLINDER ASSY	1	INCL.47
11-	5242133-54	SEMS BOLT	2	
12-	9087131-00	PIN	1	
13-	9099594-05	PIN, COTTER	1	
14-	5242497-57	(NA)CABLE INCHING	1	
14-	5243037-90	(NA)CABLE INCHING	1	A-TYPE L=1360
14-	5500329-06	CABLE INCHING	1	A-TYPE L=1360
14-	5500334-05	CABLE INCHING	1	B-TYPE L=860
15-	9117321-00	PIN	1	
16-	4490210-02	WASHER	1	
17-	9099594-03	PIN, COTTER	1	
18-	5242432-97	SPRING TENSION	2	
19-	5242307-38	(NA)SWITCH, STOP LAMP TORICA	1	
19-	5243101-21	(NA)BRAKE LAMP SWITCH	1	

## SINGLE PEDAL LINKAGE

Item	PartNo.	Description	Q'ty	Remarks
19-	5500109-95	BRAKE SWITCH	1	
20-	5188006-06	BOLT	1	
21-	9375019-07	NUT SMALL	1	
22-	5242133-83	SEMS BOLT	8	
23-	9000012-01	PAD-PEDAL	1	
24-	9264023-00	BELLCRANK	1	A-TYPE
25-	9117321-00	PIN	1	
26-	9099594-03	PIN, COTTER	1	
27-	4490210-02	WASHER	1	
28-	9117011-00	BUSH	2	
29-	9517069-03	PIN STEEL COTTER	1	
30-	4490210-10	WASHER	1	
31-	5242497-58	BRACKET, HARNESS CLAMP	1	A-TYPE
32-	5242498-28	RESERVOIR AND HOSE ASSY	1	INCL.33-35
33-	5242344-71	RESERVOIR ASSY	1	INCL.42,43
34-	5242498-06	RESERVE HOSE L=725	1	
35-	9601009-03	CLAMP, HOSE WA 16	1	
36-	5242133-74	SEMS BOLT	2	
37-	9601009-03	CLAMP, HOSE WA 16	1	
38-	5004129-04	CLAMP	1	
40-	5242340-47	CLIP, CABLE	1	A-TYPE
41-	9086474-03	HOSE, BRAKE L=330	1	
42-	NSS	RESERVOIR	1	
43-	5242520-57	KIT RESERVOIR CAP	1	
44-	9075353-26	(NA)SHIM T=1.2	AR	
44-	9075353-27	(NA)SHIM T=0.8	AR	
44-	9075353-03	SHIM T=0.8	AR	
45-	5242860-13	VINYL TUBE	1	
46-	9032591-02	TIE LAP	1	
47-	5242520-41	YORK	1	
48-	5500364-00	KIT, CONVERSION INCHING CABLE	1	INCL.14,50-57 FOR B-TYPE CONVERSION
50-	5500334-06	BELLCRANK	1	B-TYPE

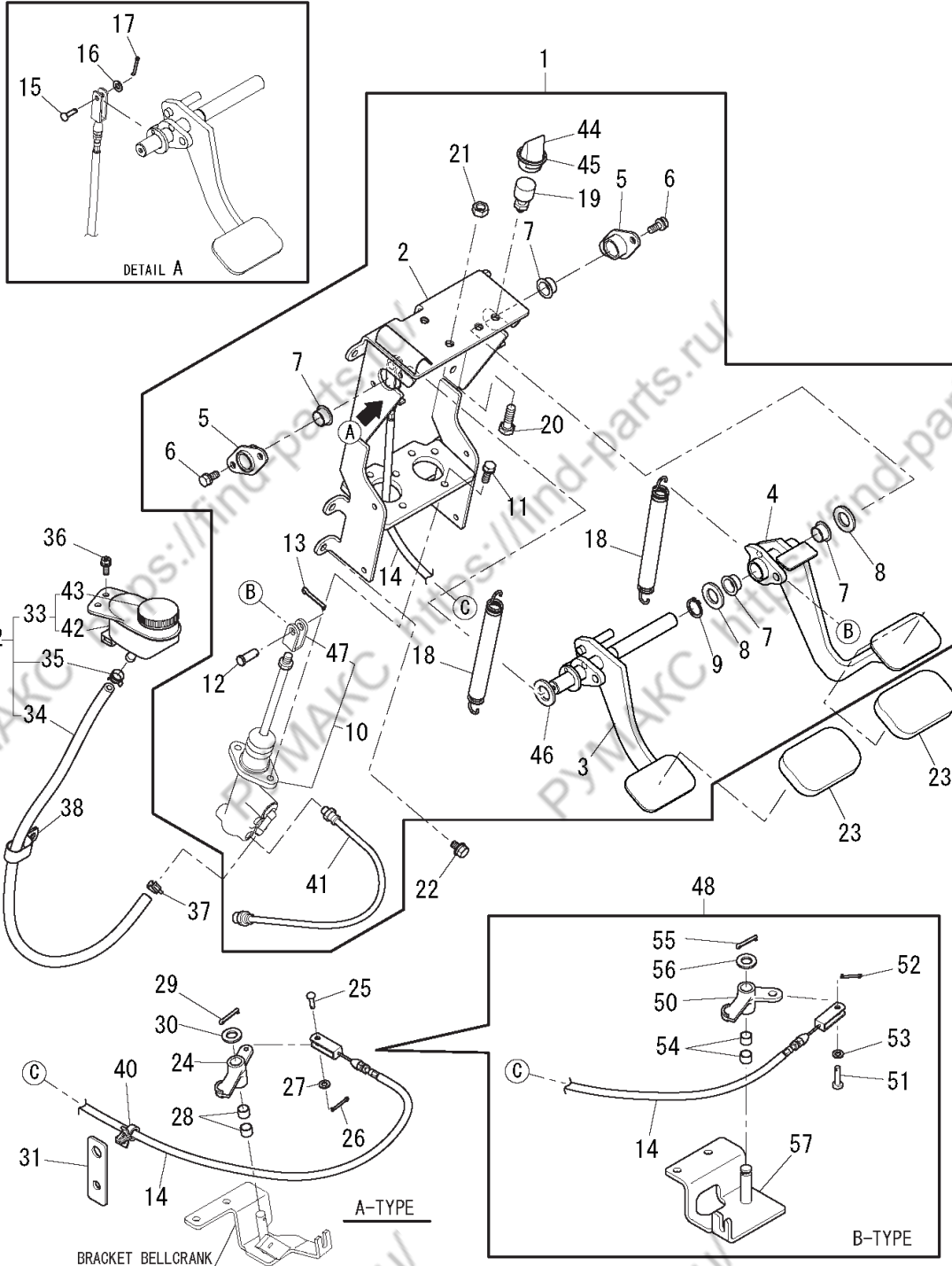
**SINGLE PEDAL LINKAGE**

Item	PartNo.	Description	Q'ty	Remarks
51-	9117321-00	PIN	1	
52-	9099594-03	PIN COTTER	1	
53-	4490210-02	WASHER	1	
54-	9117011-00	BUSH	2	
55-	9517069-03	PIN STEEL COTTER	1	
56-	4490210-10	WASHER	1	
57-	5500135-01	BRACKET, BELLCRANK	1	B-TYPE

== END ==

SEPARATE PEDAL LINKAGE

SEPARATE PEDAL



Service Bulletin	Change Item	Interchangeability
B-115598A	Item 1, 21, 41	Refer to Service Bulletin
B-115674	Item 1, 2, 14	Refer to Service Bulletin
B-116239	Item 1, 2	Refer to Service Bulletin
B-116524	Item 19	Refer to Service Bulletin
B-119403	Item 19	Refer to Service Bulletin
B-142273	Item 46	Refer to Service Bulletin

## SEPARATE PEDAL LINKAGE

Item	PartNo.	Description	Q'ty	Remarks
1-	5242425-50	(NA)BRAKE PEDAL ASSY	1	INCL.2-21,44-47
1-	5242980-63	(NA)BRAKE PEDAL ASSY	1	INCL.2-21,41,44-47
1-	5243038-75	(NA)BRAKE PEDAL ASSY	1	INCL.2-21,41,44-47
1-	5243062-32	(NA)BRAKE PEDAL ASSY	1	INCL.2-21,41,44-47
1-	5500340-99	BRAKE PEDAL ASSY	1	INCL.2-21,41,44-47
2-	5242425-52	(NA)BRACKET, PEDAL	1	
2-	5242992-94	(NA)BRACKET, PEDAL	1	
2-	5243062-35	BRACKET, PEDAL	1	
3-	5242425-63	PEDAL	1	
4-	5242425-76	PEDAL	1	
5-	5242311-39	PLATE BOSS	2	
6-	5242133-51	SEMS BOLT	4	
7-	5242168-95	BUSH	4	
8-	5800511-78	WASHER	2	
9-	4490290-24	RING RETAINING	1	
10-	5242311-55	MASTER CYLINDER ASSY	1	INCL.47
11-	5242133-54	SEMS BOLT	2	
12-	9087131-00	PIN	1	
13-	9099594-05	PIN, COTTER	1	
14-	5242497-57	(NA)CABLE INCHING	1	
14-	5243037-90	(NA)CABLE INCHING	1	A-TYPE L=1360
14-	5500329-06	CABLE INCHING	1	A-TYPE L=1360
14-	5500334-05	CABLE INCHING	1	B-TYPE L=860
15-	9117321-00	PIN	1	
16-	4490210-02	WASHER	1	
17-	9099594-03	PIN, COTTER	1	
18-	5242432-97	SPRING TENSION	2	
19-	5242307-38	(NA)SWITCH, STOP LAMP TORICA	1	
19-	5243101-21	(NA)BRAKE LAMP SWITCH	1	
19-	5500109-95	BRAKE SWITCH	1	
20-	5188006-06	BOLT	1	
21-	9373009-10	(NA)NUT	1	

## SEPARATE PEDAL LINKAGE

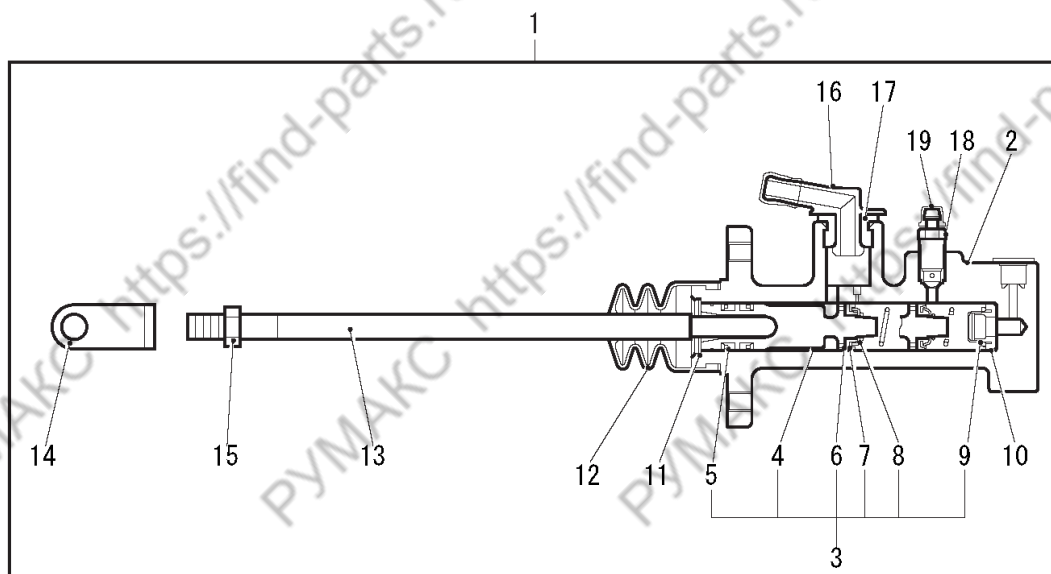
Item	PartNo.	Description	Q'ty	Remarks
21-	9375019-07	NUT SMALL	1	
22-	5242133-83	SEMS BOLT	8	
23-	9038111-00	RUBBER, PEDAL	2	
24-	9264023-00	BELLCRANK	1	A-TYPE
25-	9117321-00	PIN	1	
26-	9099594-03	PIN, COTTER	1	
27-	4490210-02	WASHER	1	
28-	9117011-00	BUSH	2	
29-	9517069-03	PIN STEEL COTTER	1	
30-	4490210-10	WASHER	1	
31-	5242497-58	BRACKET, HARNESS CLAMP	1	A-TYPE
32-	5242498-28	RESERVOIR AND HOSE ASSY	1	INCL.33-35
33-	5242344-71	RESERVOIR ASSY	1	INCL.42,43
34-	5242498-06	RESERVE HOSE L=725	1	
35-	9601009-03	CLAMP, HOSE WA 16	1	
36-	5242133-74	SEMS BOLT	2	
37-	9601009-03	CLAMP, HOSE WA 16	1	
38-	5004129-04	CLAMP	1	
40-	5242340-47	CLIP, CABLE	1	A-TYPE
41-	9086474-03	HOSE, BRAKE L=330	1	
42-	NSS	RESERVOIR	1	
43-	5242520-57	KIT RESERVOIR CAP	1	
44-	5242860-13	VINYL TUBE	1	
45-	9032591-02	TIE LAP	1	
46-	9075353-26	(NA)SHIM T=1.2	AR	
46-	9075353-27	(NA)SHIM T=0.8	AR	
46-	9075353-03	SHIM T=0.8	AR	
47-	5242520-41	YORK	1	
48-	5500364-00	KIT, CONVERSION INCHING CABLE	1	INCL.14,50-57 FOR B-TYPE CONVERSION
50-	5500334-06	BELLCRANK	1	B-TYPE
51-	9117321-00	PIN	1	
52-	9099594-03	PIN COTTER	1	

**SEPARATE PEDAL LINKAGE**

Item	PartNo.	Description	Q'ty	Remarks
53-	4490210-02	WASHER	1	
54-	9117011-00	BUSH	2	
55-	9517069-03	PIN STEEL COTTER	1	
56-	4490210-10	WASHER	1	
57-	5500135-01	BRACKET, BELLCRANK	1	B-TYPE

== END ==

MASTER CYLINDER ASSY INNER PARTS



Item	Description	Remarks
20	REPAIR KIT MASTER CLY.	INCL. 3, 10, 11, 12

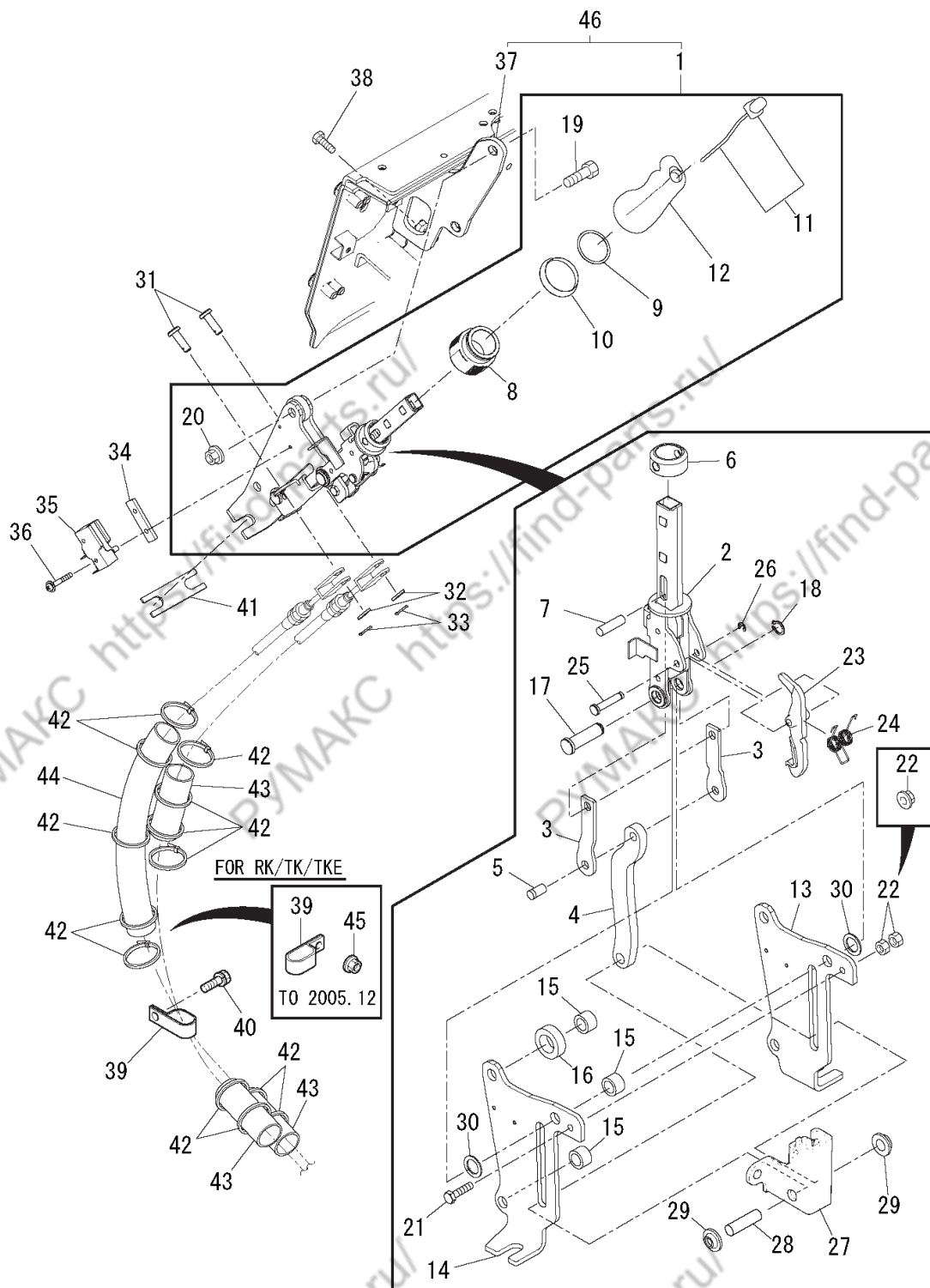


### MASTER CYLINDER ASSY INNER PARTS

Item	PartNo.	Description	Q'ty	Remarks
1-	5242311-55	MASTER CYLINDER ASSY	1	INCL.2-19
2-	NSS	CYLINDER	1	
3-	x	PISTON ASSY	1	INCL.4-9
4-	NSS	PISTON	1	
5-	NSS	S CUP	2	
6-	NSS	SPACER	1	
7-	NSS	SEAL	1	
8-	NSS	THIMBLE	1	
9-	NSS	SPRING	1	
10-	x	VALVE ASSY	1	
11-	x	SNAP RING	1	
12-	x	BOOT	1	
13-	5242520-40	PUSH ROD	1	
14-	5242520-41	YORK	1	
15-	5800523-77	NUT	1	
16-	5800523-78	FITTING FILLER	1	
17-	5800523-79	GASKET	1	
18-	5242520-43	BLEEDER VALVE	1	
19-	5242520-44	CAP BLEEDER	1	
20-	5242520-37	REPAIR KIT MASTER CLY.	1	INCL.x

== END ==

PARKING BRAKE ASSY



Service Bulletin	Change Item	Interchangeability
B-11300066	Item 1, 2, 5	Refer to Service Bulletin
B-115374	Item 34	Refer to Service Bulletin

**PARKING BRAKE ASSY**

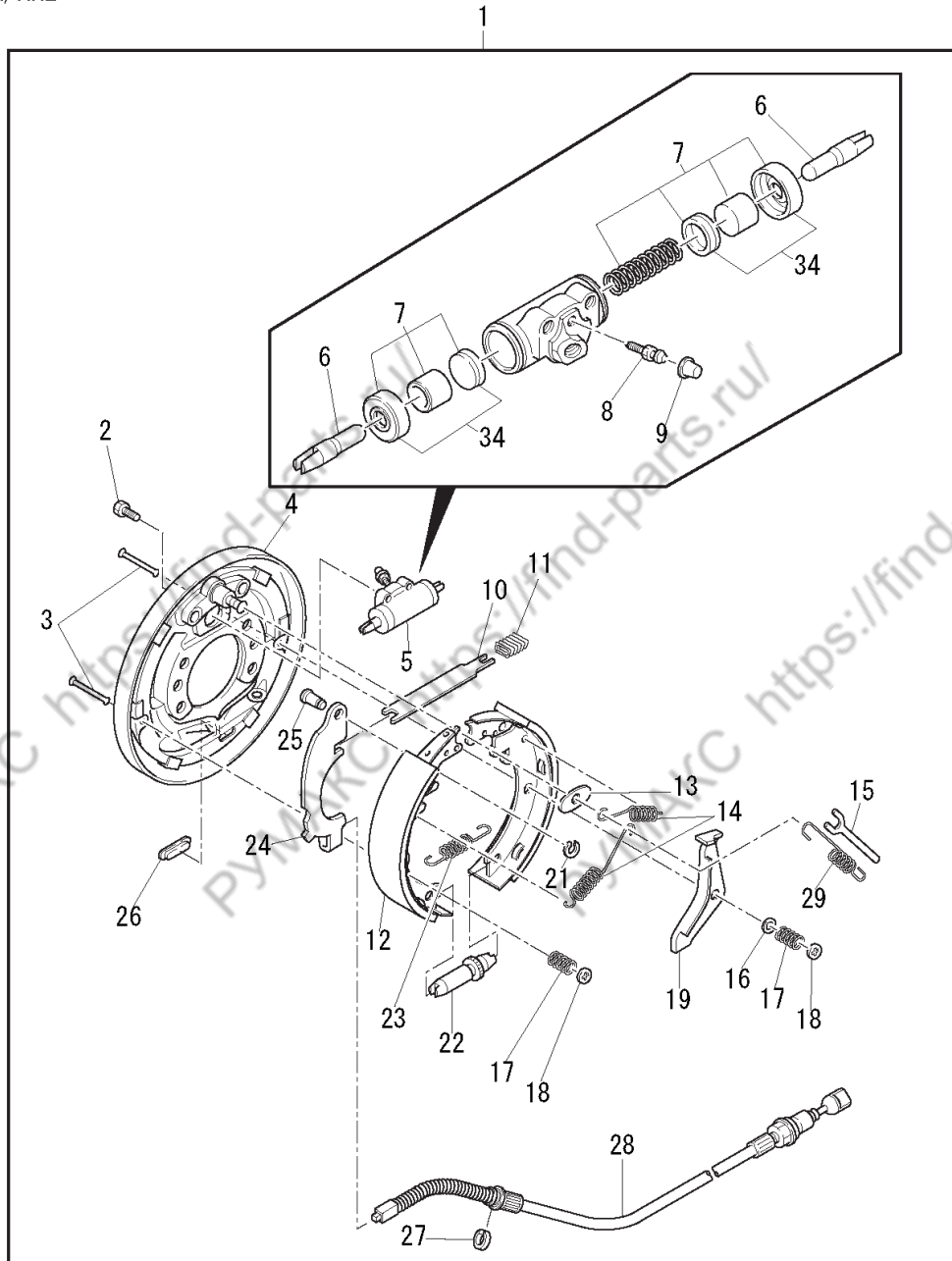
Item	PartNo.	Description	Q'ty	Remarks
1-	5242482-14	(NA)PARKING BRAKE ASSY	1	INCL.2-30
1-	5242856-27	PARKING BRAKE ASSY	1	INCL.2-30
2-	5242498-09	(NA)LEVER PARKING	1	
2-	5242623-65	(NA)LEVER PARKING	1	
2-	5242856-28	LEVER PARKING	1	
3-	5242498-11	PLATE CONNECTING	2	
4-	5242498-12	LINK PARKING LEVER	1	
5-	5242498-14	(NA)PIN KNURLING	1	
5-	9143641-00	PIN YORK	1	
6-	5242316-46	COLLAR INNER	1	
7-	5242519-05	DOWEL PIN	1	
8-	5242317-94	(NA)KNOB ADJUST ASSY	1	
8-	5242676-28	KNOB ADJUST ASSY	1	
9-	5242478-71	O-RING	1	
10-	5242316-45	PLATE KNOB	1	
11-	5242478-72	PUSH ROD ASSY	1	
12-	5242479-07	KNOB PARKING LEVER	1	
13-	5242508-74	GUIDE PARKING BRAKE	1	
14-	5242508-75	GUIDE PARKING BRAKE	1	
15-	5242099-97	SPACER	3	
16-	5242513-23	RUBBER COLLAR	1	
17-	5242498-17	PIN	1	
18-	9564019-06	RING RETAINING	1	
19-	5242133-93	SEMS BOLT	2	
20-	5242133-42	FLANGE NUT	2	
21-	9098974-05	SPECIAL SCREW	1	
22-	5242133-40	(NA)FLANGE NUT	1	
22-	9375019-05	NUT JUM	2	
23-	5242140-50	(NA)HOOK, PARKING BRAKE	1	
23-	5242680-52	HOOK, PARKING BRAKE	1	
24-	9216823-00	SPRING, TORSION	1	
25-	9216833-00	PIN, HOOK	1	

## PARKING BRAKE ASSY

Item	PartNo.	Description	Q'ty	Remarks
26-	9099704-01	RETAINING RING	1	
27-	5242498-18	SLIDER CABLE	1	
28-	5242518-89	(NA)PIN	1	
28-	5800726-45	PIN	1	
29-	5242518-86	PUSH NUT M10	2	
30-	5242051-94	(NA)PLATE	1	
30-	9090861-03	SHIM	AR	
31-	5242099-93	PIN	2	
32-	4490210-01	WASHER	2	
33-	9099594-03	PIN, COTTER	2	
34-	5800065-30	(NA)SPACER T=4.0	1	
34-	5242960-79	SPACER T=2.7	1	
35-	5800065-31	SWITCH, TWO CIRCUIT	1	
36-	9099554-09	SCREW	2	
37-	5242520-26	BRACKET	1	
38-	5242133-91	SEMS BOLT	2	
39-	5004129-06	(NA)CLAMP	2	TO 2005.12
39-	5004129-06	CLAMP	1	FROM 2006.1
40-	5242133-83	SEMS BOLT	1	
41-	5242051-94	PLATE	1	
42-	9032591-03	TIE LAP L=185~200	9	AK/AKE
42-	9032591-03	TIE LAP L=185~200	13	RK/TK/TKE
43-	9108491-01	VINYL TUBE	2	AK/AKE
43-	9108491-01	VINYL TUBE	3	RK/TK/TKE
44-	9108491-03	VINYL TUBE	1	AK/AKE
44-	9108491-04	TUBE VINYL	1	RK/TK/TKE
45-	5242133-41	(NA)FLANGE NUT	1	TO 2005.12
46-	5500253-60	PARKING BRAKE ASSY	1	INCL.1,37
	==	END	==	

**BRAKE ASSY INNER PARTS FOR AK/AKE**

FOR AK/AKE



Item	Description	Remarks
30	SHOE HOLD DOWN KIT	INCL. 3, 16, 17, 18
31	ADJUSTER KIT, L. H.	INCL. 15, 19, 22, 23, 29
32	ADJUSTER KIT, R. H.	INCL. 15, 19, 22, 23, 29
33	SHOE & LINING KIT	INCL. 12, 21, 25

Service Bulletin	Change Item	Interchangeability
B-119010	Item 1, 24	Refer to Service Bulletin

**BRAKE ASSY INNER PARTS FOR AK/AKE**

Item	PartNo.	Description	Q'ty	Remarks
1-	5242287-19	(NA)BRAKE ASSY, L.H. W/CABLE	1	INCL.2-29 W/CABLE PARKING
1-	5500046-97	BRAKE ASSY, L.H. W/CABLE	1	INCL.2-29 W/CABLE PARKING
1-	5242287-18	(NA)BRAKE ASSY, R.H. W/CABLE	1	INCL.2-29 W/CABLE PARKING
1-	5500046-96	BRAKE ASSY, R.H. W/CABLE	1	INCL.2-29 W/CABLE PARKING
1-	5800603-21	BRAKE ASSY, L.H.	1	W/O PARKING CABLE INCL.2-26,29
1-	5800603-22	BRAKE ASSY, R.H.	1	W/O PARKING CABLE INCL.2-26,29
2-	9021948-04	BOLT	2	
3-	y	PIN SHOE HOLD DOWN	2	
4-	9021948-02	PLATE BACKING, L.H.	1	
4-	9021948-01	PLATE BACKING, R.H.	1	
5-	9021948-03	WHEEL CYLINDER ASSY	1	INCL.6-9,34
6-	9021948-40	ROD	2	
7-	9041651-00	REPAIR KIT	1	
8-	9000948-42	BLEEDER	1	
9-	9008708-15	CAP	1	
10-	9021948-08	STRUT	1	
11-	9021948-11	SPRING	1	
12-	yy	SHOE & LINING	2	
13-	5800603-23	PLATE	1	
14-	9021948-10	SPRING	2	
15-	x	PAWL LEVER STOPPER	1	
16-	y	CUP WASHER LOWER	1	
17-	y	SPRING	2	
18-	y	WASHER	3	
19-	xx	POLE LEVER, L.H.	1	
19-	xxx	POLE LEVER, R.H.	1	
21-	yy	RETAINER	1	
22-	xx	ADJUSTER, L.H.	1	
22-	xxx	ADJUSTER, R.H.	1	
23-	x	SPRING	1	
24-	9021948-05	(NA)LEVER, R.H.	1	
24-	5500047-00	LEVER, R.H.	1	

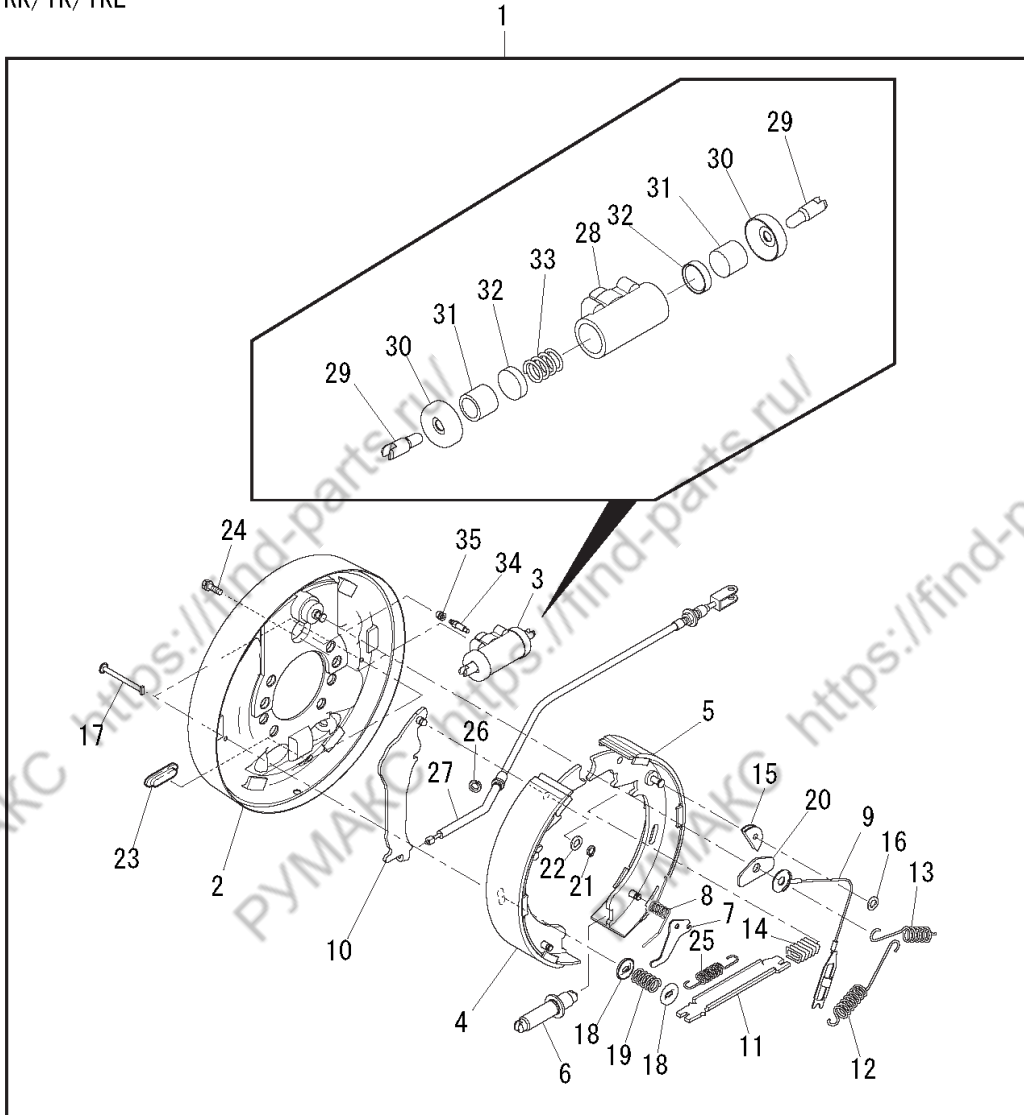
**BRAKE ASSY INNER PARTS FOR AK/AKE**

Item	PartNo.	Description	Q'ty	Remarks
24-	9021948-06	(NA)LEVER, L.H.	1	
24-	5500047-01	LEVER, L.H.	1	
25-	yy	PIN	1	
26-	9000948-26	PLUG	1	
27-	9021948-09	RETAINER	1	
28-	5242454-73	CABLE PARKING, L.H.	1	
28-	5242454-74	CABLE PARKING, R.H.	1	
29-	x	SPRING	1	
30-	9291503-00	SHOE HOLD DOWN KIT	2	INCL.y
31-	9243074-01	ADJUSTER KIT, L.H.	1	INCL.x,xx
32-	9243074-02	ADJUSTER KIT, R.H.	1	INCL.x,xxx
33-	9291513-00	SHOE & LINING KIT	1	INCL.yy
34-	9363013-01	CUP & BOOT REPAIR KIT	1	

== END ==

**BRAKE ASSY INNER PARTS FOR RK/TK/TKE**

FOR RK/TK/TKE



Item	Description	Remarks
36	AUTO ADJUSTER KIT, L.H.	INCL. 7, 8, 9, 25
37	AUTO ADJUSTER KIT, R.H.	INCL. 7, 8, 9, 25
38	PARKING PARTS KIT, L.H.	INCL. 10, 11, 14, 21, 22
39	PARKING PARTS KIT, R.H.	INCL. 10, 11, 14, 21, 22
40	SHOE & LINING KIT, L.H.	INCL. 4, 5
41	SHOE & LINING KIT, R.H.	INCL. 4, 5
42	SHOE HOLD DOWN KIT	INCL. 17, 18, 19
43	SPRING KIT	INCL. 12, 13
44	WHEEL CLY. REPAIR KIT	INCL. 30, 31, 32, 33
45	CUP & BOOT REPAIR KIT	INCL. 30, 32

Service Bulletin	Change Item	Interchangeability
B-114823	Item 1, 2	Refer to Service Bulletin
B-115176	Item 40, 41	Refer to Service Bulletin



## BRAKE ASSY INNER PARTS FOR RK/TK/TKE

Item	PartNo.	Description	Q'ty	Remarks
1-	5242431-65	(NA)BRAKE ASSY, L.H.	1	INCL.2-35 W/CABLE PARKING
1-	5242924-93	BRAKE ASSY, L.H.	1	INCL.2-35 W/CABLE PARKING
1-	5242431-66	(NA)BRAKE ASSY, R.H.	1	INCL.2-35 W/CABLE PARKING
1-	5242924-94	BRAKE ASSY, R.H.	1	INCL.2-35 W/CABLE PARKING
1-	5242522-39	(NA)BRAKE ASSY, L.H.	1	INCL.2-26,28-35 W/O CABLE PARKING
1-	5242978-27	BRAKE ASSY, L.H.	1	INCL.2-26,28-35 W/O CABLE PARKING
1-	5242522-40	(NA)BRAKE ASSY, R.H.	1	INCL.2-26,28-35 W/O CABLE PARKING
1-	5242978-28	BRAKE ASSY, R.H.	1	INCL.2-26,28-35 W/O CABLE PARKING
2-	5800645-18	(NA)PLATE ASSY, BACKING, L.H.	1	
2-	5242978-29	PLATE ASSY, BACKING, L.H.	1	
2-	5800645-19	(NA)PLATE ASSY, BACKING, R.H.	1	
2-	5242978-30	PLATE ASSY, BACKING, R.H.	1	
3-	5800513-20	CYLINDER ASSY, WHEEL	1	INCL.28-33
4-	z	SHOE & LINING ASSY	1	
5-	zz	SHOE & LINING & PIN ASSY, L.H.	1	
5-	zzz	SHOE & LINING & PIN ASSY, R.H.	1	
6-	5800629-98	ADJUSTER ASSY, L.H.	1	
6-	5800629-99	ADJUSTER ASSY, R.H.	1	
7-	xx	LEVER, L.H.	1	
7-	xxx	LEVER, R.H.	1	
8-	xx	SPRING, L.H.	1	
8-	xxx	SPRING, R.H.	1	
9-	x	SPRING & CABLE ASSY	1	
10-	yy	LEVER ASSY, PARKING, L.H.	1	
10-	yyy	LEVER ASSY, PARKING, R.H.	1	
11-	yy	STRUT, L.H.	1	
11-	yyy	STRUT, R.H.	1	
12-	uu	SPRING	1	
13-	uu	SPRING	1	
14-	y	SPRING	1	
15-	9012028-06	SHEAVE	1	
16-	9012028-08	WASHER, PLAIN	1	

## BRAKE ASSY INNER PARTS FOR RK/TK/TKE

Item	PartNo.	Description	Q'ty	Remarks
17-	u	PIN, SHOE HOLD DOWN	2	
18-	u	CUP, SHOE HOLD DOWN	4	
19-	u	SPRING, SHOE HOLD DOWN	2	
20-	9009558-09	PLATE, SHOE GUIDE	1	
21-	y	RETAINER	1	
22-	y	WASHER, WAVE	1	
23-	9004888-27	COVER	1	
24-	5800513-23	BOLT, SEMS	2	
25-	x	SPRING	1	
26-	9004888-26	SNAP RING, E TAPE	1	
27-	5242483-06	CABLE ASSY, PARKING, L.H.	1	
27-	5242483-07	CABLE ASSY, PARKING, R.H.	1	
28-	NSS	BODY	1	
29-	9004888-36	LINK, CONNECTING	2	
30-	v	BOOT	2	
31-	vv	PISTON	2	
32-	v	CUP, WHEEL CYLINDER	2	
33-	vv	SPRING, WHEEL CYLINDER	1	
34-	9004888-34	SCREW, BLEEEEDER	1	
35-	9004888-35	CAP, BLEEEEDER	1	
36-	5800513-28	AUTO ADJUSTER KIT, L.H.	1	INCL.x,xx
37-	5800513-29	AUTO ADJUSTER KIT, R.H.	1	INCL.x,xxx
38-	5800513-30	PARKING PARTS KIT, L.H.	1	INCL.y,yy
39-	5800513-31	PARKING PARTS KIT, R.H.	1	INCL.y,yyy
40-	5242483-08	SHOE & LINING KIT, L.H.	1*	INCL.z,zz L759 STD
40-	5800513-32	SHOE & LINING KIT, L.H.	AR	L783 SERVICE ONLY
41-	5242483-09	SHOE & LINING KIT, R.H.	1*	INCL.z,zzz L759 STD
41-	5800513-33	SHOE & LINING KIT, R.H.	AR	L783 SERVICE ONLY
42-	5800513-34	SHOE HOLD DOWN KIT	1	INCL.u
43-	5800513-35	SPRING KIT	1	INCL.uu
44-	5059635-78	WHEEL CLY. REPAIR KIT	1	INCL.v,vv
45-	9363023-02	CUP & BOOT REPAIR KIT	1	INCL.v

**BRAKE ASSY INNER PARTS FOR RK/TK/TKE**

Item	PartNo.	Description	Q'ty	Remarks
== END ==				

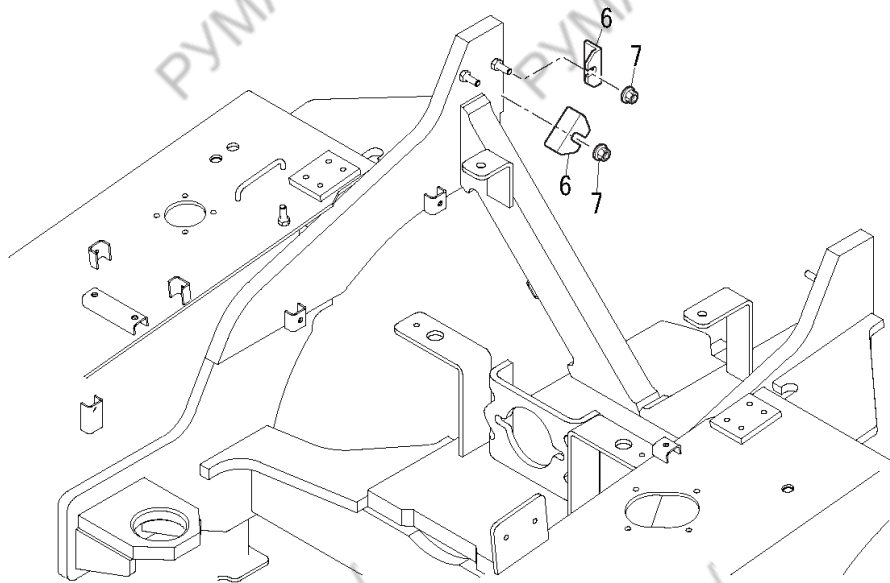
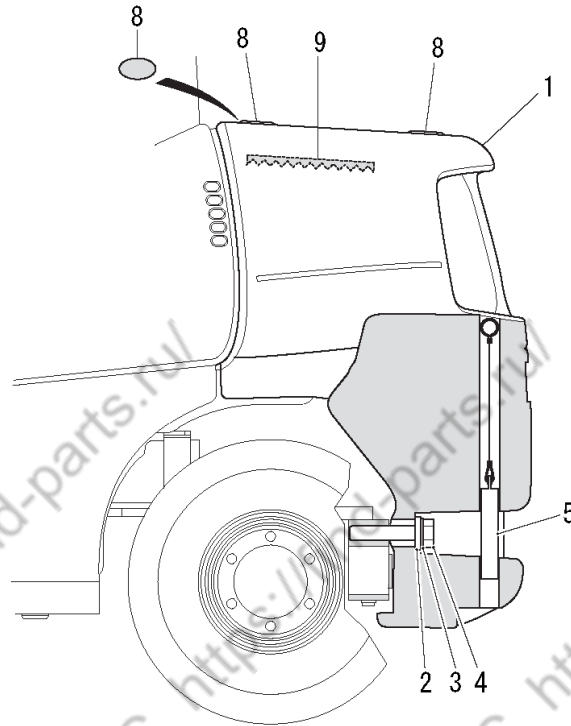
PYMAKC <https://find-parts.ru/>  
PYMAKC <https://find-parts.ru/>  
PYMAKC <https://find-parts.ru/>

<https://find-parts.ru/>  
<https://find-parts.ru/>  
<https://find-parts.ru/>

## 4.00 Frame and Body

COUNTERWEIGHT	.....	4.00- 3
FLOOR PLATE	.....	4.00- 5
FRAME, COWL & COVER	.....	4.00- 7
OVER FENDER	.....	4.00- 11
HOOD	.....	4.00- 13
SEAT	.....	4.00- 15
SEAT ASSY INNER PARTS	.....	4.00- 17
OVER HEAD GUARD & MIRROR	.....	4.00- 19
FUEL INLET FOR GAS/DUAL FUEL	.....	4.00- 21
FUEL INLET FOR DSL	.....	4.00- 23
OIL TANK	.....	4.00- 25
DECAL	.....	4.00- 27

COUNTERWEIGHT



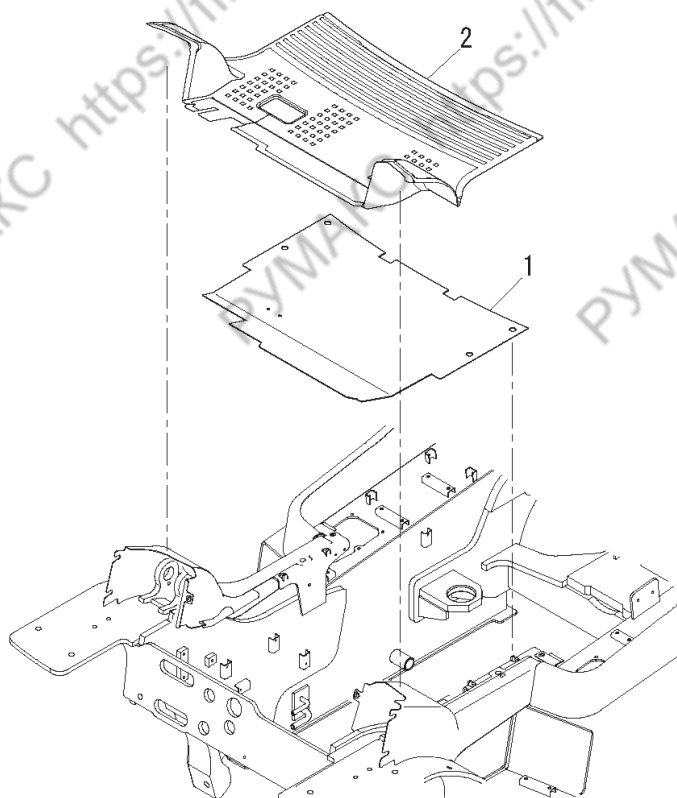
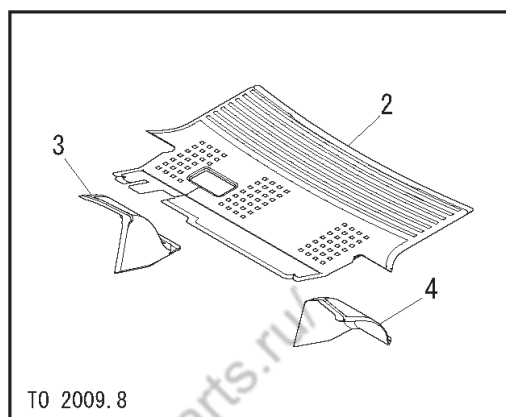
Service Bulletin	Change Item	Interchangeability
B-118465A	Item 5	Refer to Service Bulletin
B-11359751	Item 8	Refer to Service Bulletin
B-11359708	Item 9	Refer to Service Bulletin

## COUNTERWEIGHT

Item	PartNo.	Description	Q'ty	Remarks
1-	NA	COUNTER WEIGHT 1.50	1	15AK/AKE
1-	NA	COUNTER WEIGHT 1.75	1	18AK/AKE
1-	NA	COUNTER WEIGHT 2.00	1	20AK/AKE
1-	NA	COUNTER WEIGHT 2.00	1	20RK/TK/TKE
1-	NA	COUNTER WEIGHT 2.50	1	25RK/TK/TKE
1-	NA	COUNTER WEIGHT 3.00	1	30TK/TKE
1-	NA	COUNTER WEIGHT 3.50	1	35TK/TKE
2-	9105901-00	WASHER	1	AK/AKE
2-	9358983-00	SPECIAL WASHER	1	RK/TK/TKE
3-	9554009-11	SPRINGWASHER	1	AK/AKE
3-	9554009-12	SPRINGWASHER	1	RK/TK/TKE
4-	4490014-06	BOLT	1	AK/AKE
4-	9310119-16	BOLT	1	RK/TK/TKE
5-	5242480-56	(NA)TOW PIN ASSY	1	
5-	5243384-75	PIN COUPLER ASSY	1	
6-	9320503-00	SHIM	4*	
6-	5241607-10	SHIM	AR	
7-	5242133-41	FLANGE NUT	4	
8-	9175953-00	(NA)CAP	2	AK/AKE
8-	5242794-89	LABEL SEAL	2	AK/AKE
8-	9175953-00	(NA)CAP	3	RK/TK/TKE
8-	5242794-89	LABEL SEAL	3	RK/TK/TKE
9-	5242504-73	(NA)PAD COUNTER WEIGHT	1	AK TO 2006.6
9-	5242504-74	(NA)PAD COUNTER WEIGHT	1	RK/TK TO 2006.6

== END ==

FLOOR PLATE



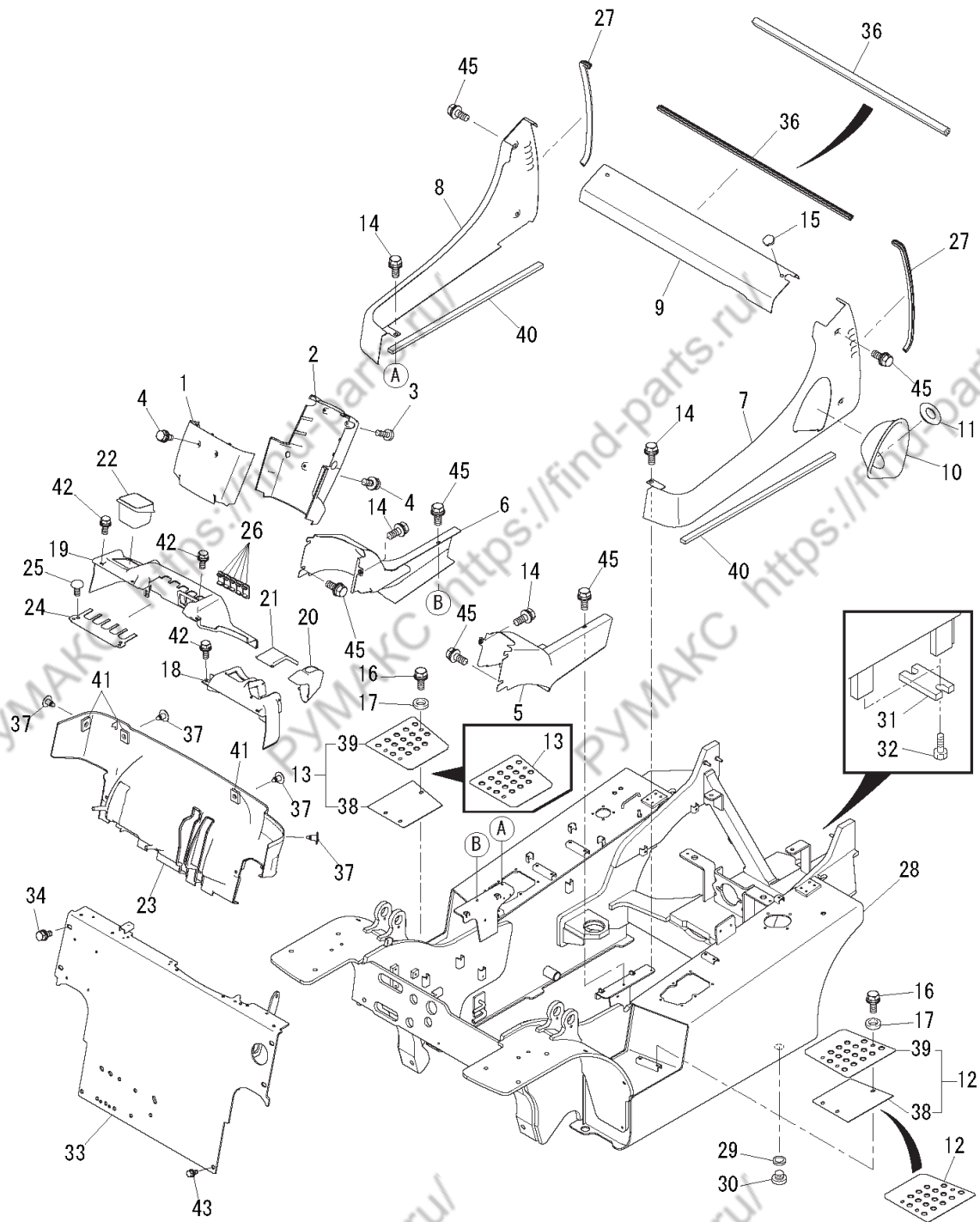
Service Bulletin	Change Item	Interchangeability
B-11838304	Item 1	Refer to Service Bulletin
B-11838332	Item 2, 3, 4	Refer to Service Bulletin

**FLOOR PLATE**

Item	PartNo.	Description	Q'ty	Remarks
1-	5242486-78	(NA)FLOOR PLATE	1	
1-	5242940-11	FLOOR PLATE	1	
2-	5242552-26	MAT FLOOR CENTER	1	TO 2009.8
2-	5243334-68	MAT FLOOR	1	FROM 2009.9
3-	5242507-62	MAT FLOOR, R.H.	1	TO 2009.8
4-	5242507-63	MAT FLOOR, L.H.	1	TO 2009.8
== END ==				



# FRAME, COWL & COVER



**FRAME, COWL & COVER**

Item	PartNo.	Description	Q'ty	Remarks
1-	5242447-70	COVER COLUMN FRONT	1	
2-	5242447-71	COVER COLUMN BACK	1	
3-	9099044-03	SCREW	2	
4-	5242133-73	SEMS BOLT	4	
5-	5242491-92	(NA)PANEL FRONT, L.H.	1	AK/AKE
5-	5500055-11	PANEL FRONT, L.H.	1	AK/AKE
5-	5242491-94	(NA)PANEL FRONT, L.H.	1	RK/TK/TKE
5-	5500055-13	PANEL FRONT, L.H.	1	RK/TK/TKE
6-	5242491-93	(NA)PANEL FRONT, R.H.	1	AK/AKE
6-	5500055-12	PANEL FRONT, R.H.	1	AK/AKE
6-	5242491-95	(NA)PANEL FRONT, R.H.	1	RK/TK/TKE
6-	5500055-14	PANEL FRONT, R.H.	1	RK/TK/TKE
7-	5242491-86	PANEL REAR, L.H.	1	GP/GTP/GDP
7-	5242491-87	PANEL REAR, L.H.	1	GLP
8-	5242491-88	PANEL REAR, R.H.	1	
9-	5242492-02	(NA)COVER RADIATOR	1	
9-	5242645-15	(NA)COVER RADIATOR	1	T=1.6
9-	5242831-42	COVER RADIATOR	1	T=0.8
10-	5242393-35	SPLASH GUARD	1	GP/GTP/GDP
11-	5242463-37	PACKING FUEL	1	GP/GTP/GDP
12-	5242289-15	(NA)STEP 1T, L.H.	1	INCL.38,39 AK
12-	5242773-63	STEP 1T, L.H.	1	AK/AKE
12-	5242289-17	(NA)STEP 2T, L.H.	1	INCL.38,39 RK/TK
12-	5242773-65	STEP 2T, L.H.	1	RK/TK/TKE
13-	5242289-16	(NA)STEP 1T, R.H.	1	INCL.38,39 AK
13-	5242773-64	STEP 1T, R.H.	1	AK/AKE
13-	5242289-18	(NA)STEP 2T, R.H.	1	INCL.38,39 RK/TK
13-	5242773-66	STEP 2T, R.H.	1	RK/TK/TKE
14-	5242133-78	SEMS BOLT	2	
15-	5242089-23	FLANGE BOLT	2	
16-	9327299-03	(NA)BOLT	6	
16-	9099104-09	BOLT	6	

**FRAME, COWL & COVER**

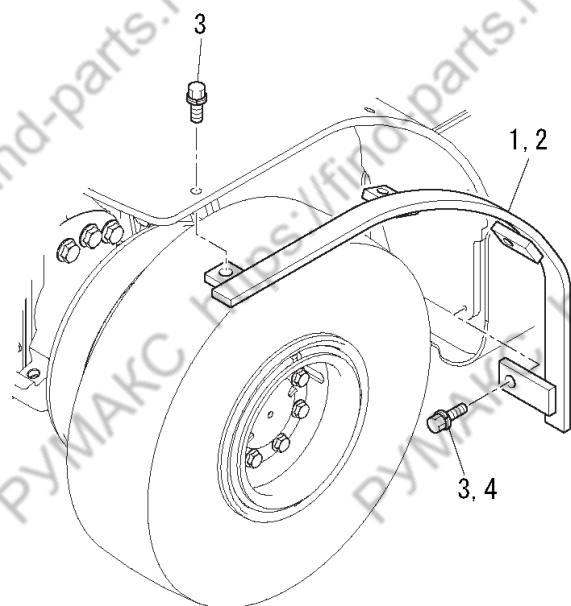
Item	PartNo.	Description	Q'ty	Remarks
17-	9043104-02	SPECIAL WASHER	6	
18-	5242415-52	DASH PANEL, L.H.	1	
19-	5242415-51	DASH PANEL, R.H.	1	
20-	5242441-57	COVER PARKING LEVER	1	
21-	5242431-46	COVER RESERVE TANK	1	
22-	9257524-00	CUP HOLDER	1	
23-	5242415-53	KICK PANEL	1	
24-	5242508-81	PLATE C/V LEVER	1	
25-	5242133-77	SEMS BOLT	2	
26-	5200418-63	(NA)COVER MOUNTING PANEL	5	
26-	5242685-92	COVER MOUNTING PANEL	5	
27-	5242509-18	TRIM	2	
28-	NA	FRAME LWB BRIGHT GOLD	1	INCL.29-32 AK/AKE
28-	NA	FRAME LWB BRIGHT GOLD	1	INCL.29-32 20,25RK/TK/TKE
28-	NA	FRAME LWB BRIGHT GOLD	1	INCL.29-32 30,35TK/TKE
29-	9002918-22	SPACER	2	
30-	9148923-01	PLUG	2	
31-	5241802-40	COV.RUBBER CUSHION	2	
32-	5242138-23	SEMS BOLT	4	
33-	5242429-85	COWL	1	
34-	5242133-90	SEMS BOLT	4	
36-	5242557-91	(NA)TRIM	1	
36-	9167483-57	TRIM	1	
37-	5242554-17	SCREW	4	
38-	NSS	STEP, L.H.	1	AK
38-	NSS	STEP, L.H.	1	RK/TK
38-	NSS	STEP, R.H.	1	AK
38-	NSS	STEP, R.H.	1	RK/TK
39-	NSS	PLATE STEP	1	
40-	5242552-64	PAD PANEL REAR	1	
41-	9099074-01	(NA)NUT SPEED	4	
41-	5242628-41	NUT SPEED	4	

**FRAME, COWL & COVER**

Item	PartNo.	Description	Q'ty	Remarks
42-	5242133-80	SEMS BOLT	5	
43-	5242133-92	SEMS BOLT	2	
45-	5242133-78	(NA)SEMS BOLT	12	
45-	5242133-78	SEMS BOLT	12	

== END ==

# OVER FENDER



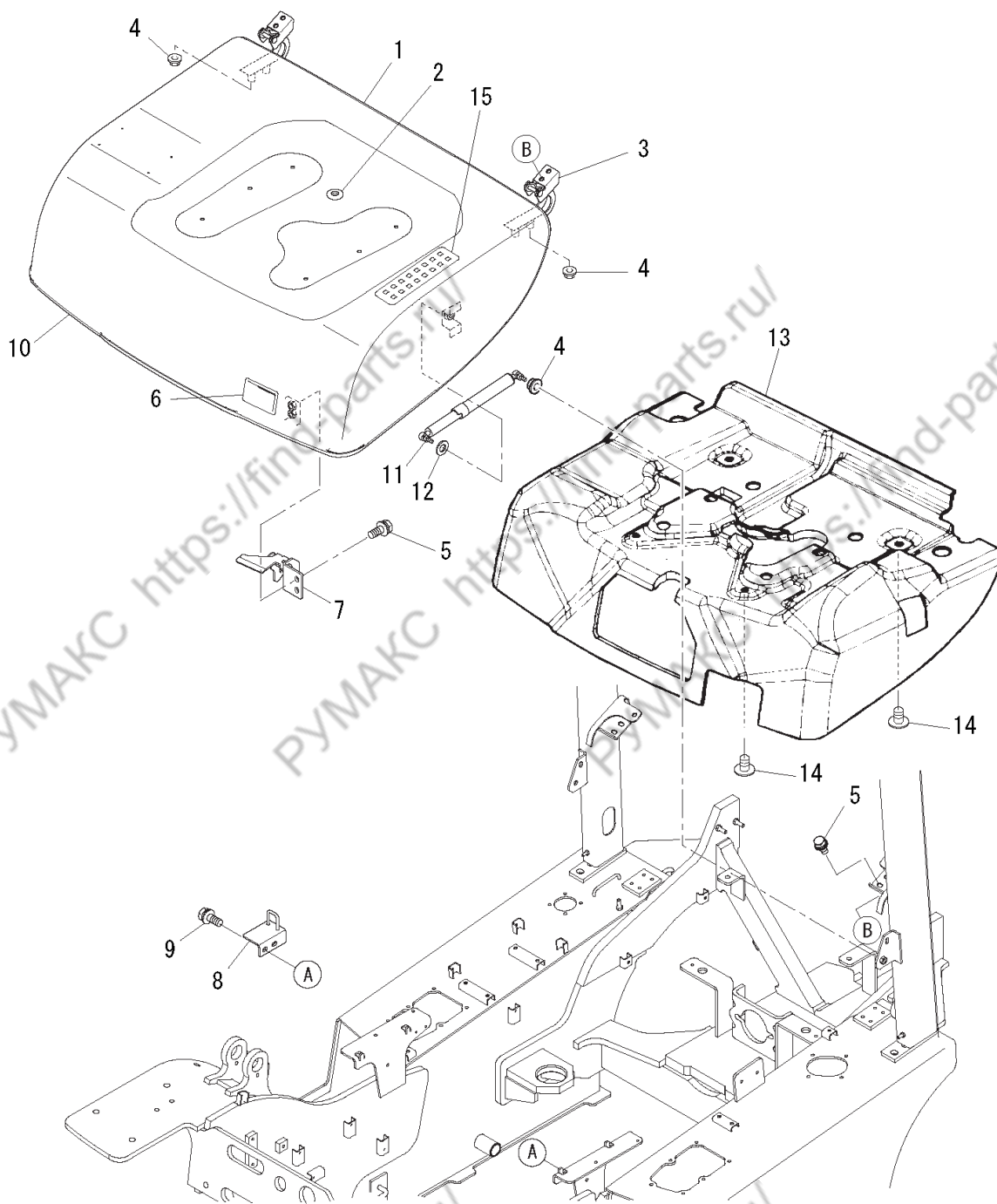
Service Bulletin	Change Item	Interchangeability
B-11838324	Item 1, 2, 3, 4 (30, 35TK)	Refer to Service Bulletin

**OVER FENDER**

Item	PartNo.	Description	Q'ty	Remarks
1-	5242505-41	OVER FENDER, L.H. BRIGHT GOLD	1	18,20AK
1-	5242505-47	OVER FENDER, L.H. BRIGHT GOLD	1	30,35TK TO 2009.12
2-	5242505-42	OVER FENDER, R.H. BRIGHT GOLD	1	18,20AK
2-	5242505-48	OVER FENDER, R.H. BRIGHT GOLD	1	30,35TK TO 2009.12
3-	5242133-58	SEMS BOLT	8	18,20AK
3-	5242133-58	SEMS BOLT	6	30,35TK TO 2009.12
4-	5242133-84	SEMS BOLT	2	30,35TK TO 2009.12

== END ==

HOOD



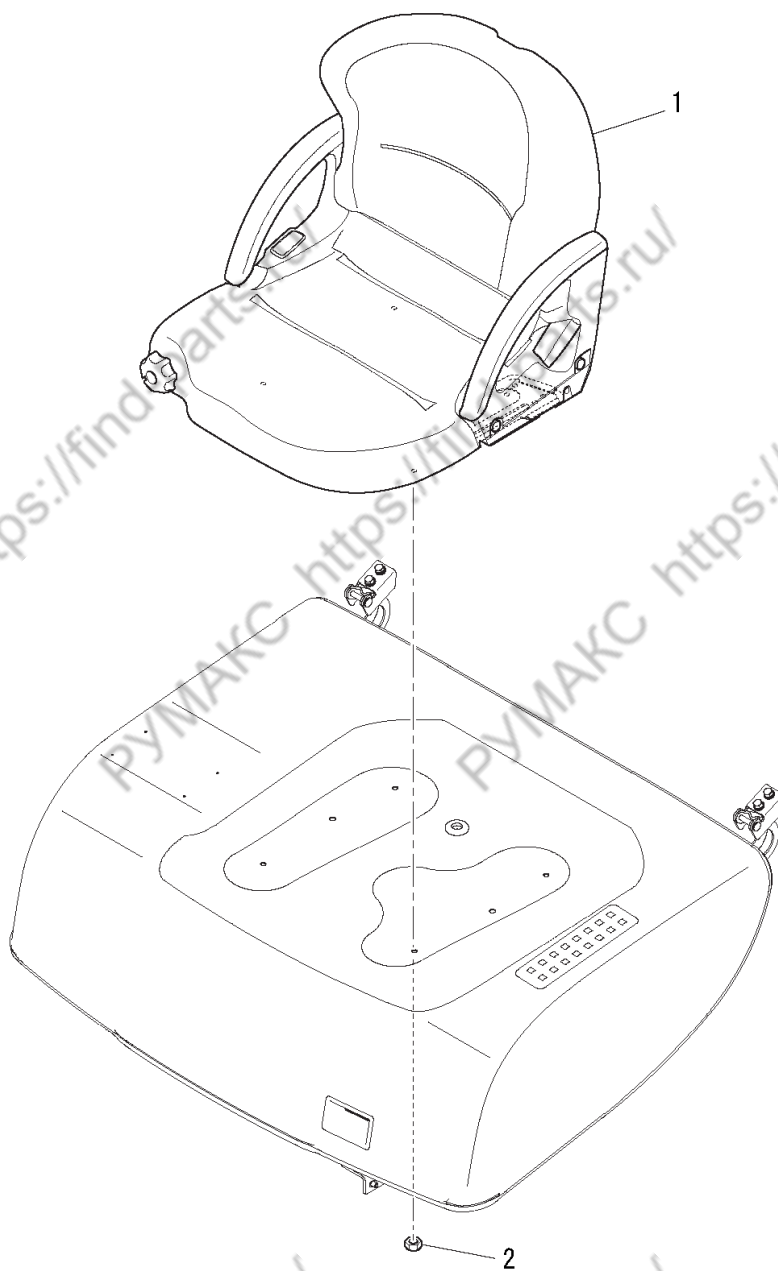
Service Bulletin	Change Item	Interchangeability
B-1129948	Item 7	Refer to Service Bulletin
B-11359759	Item 10	Refer to Service Bulletin
B-119937	Item 11	Refer to Service Bulletin

## HOOD

Item	PartNo.	Description	Q'ty	Remarks
1-	5242496-19	HOOD	1	
2-	5242509-20	GROMMET	1	
3-	5242286-41	HINGE ASSY	2	
4-	5242133-41	FLANGE NUT	4	
5-	5242133-84	SEMS BOLT	6	
6-	5242507-02	COVER HOOD LOCK	1	
7-	5242507-85	(NA)HOOD LOCK ASSY	1	
7-	5242703-52	HOOD LOCK ASSY	1	
8-	5242548-50	HOOK	1	
9-	5242133-83	SEMS BOLT	2	
10-	5242509-19	(NA)TRIM	1	
10-	5242856-63	TRIM	1	
11-	9303924-00	(NA)GAS SPRING	1	
11-	5500170-78	GAS SPRING	1	
12-	5025669-01	WASHER	2	
13-	5242479-08	(NA)HOOD LINER	1	
13-	5243258-03	HOOD LINER	1	
14-	9169713-01	CLIP, LINER	4	
15-	5242508-91	PAD HOOD	1	
	==	END	==	



SEAT

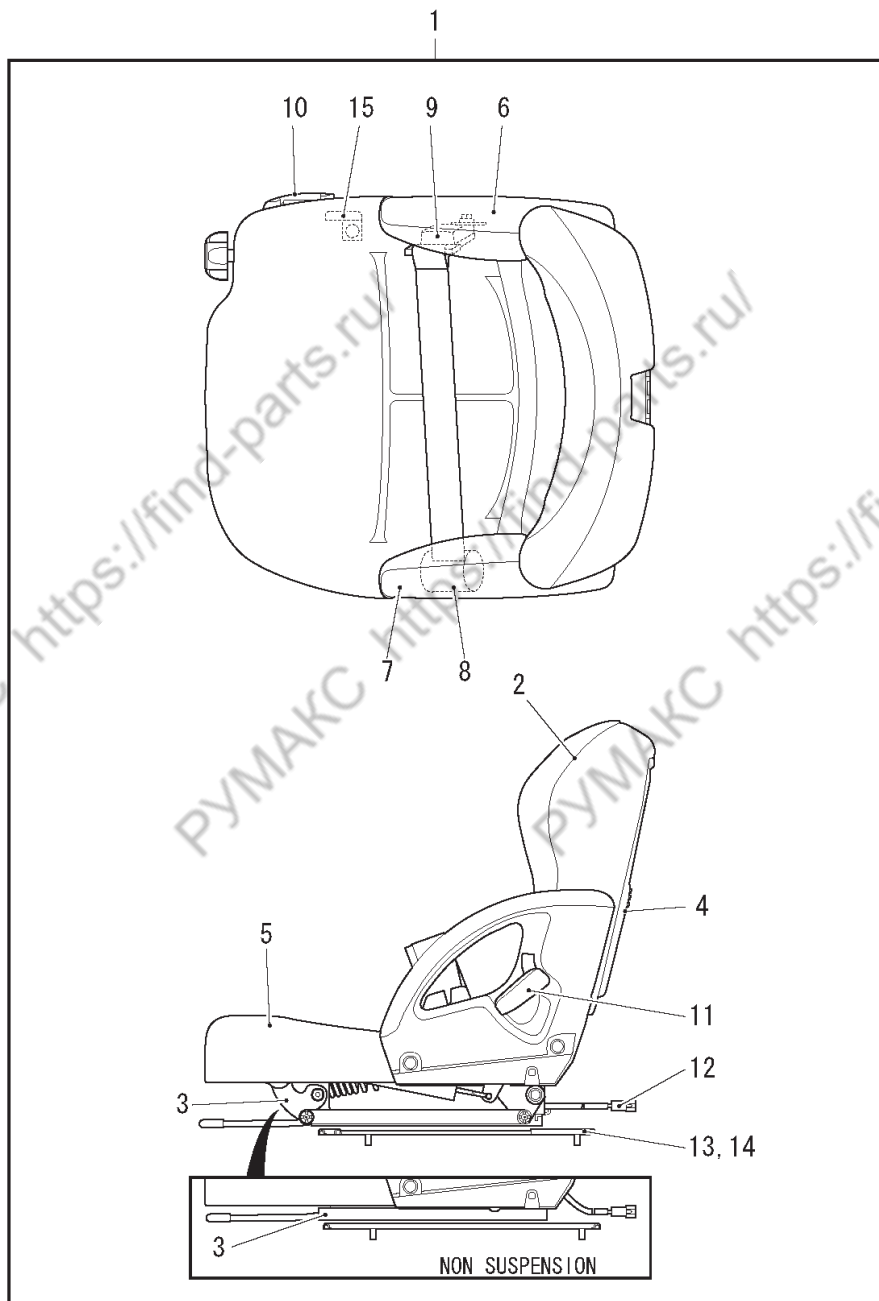


Service News	Change Item	Interchangeability
B-11648501	Item 1	Refer to Service News

## SEAT

Item	PartNo.	Description	Q'ty	Remarks
1-	5242446-50	(NA)SUSPENSION SEAT ASSY	1	
1-	5243113-36	(NA)SUSPENSION SEAT ASSY	1	
1-	5243200-91	SUSPENSION SEAT ASSY	1	
1-	5242460-23	(NA)NON SUSPENSION SEAT ASSY	1	
1-	5243113-39	(NA)NON SUSPENSION SEAT ASSY	1	
1-	5243200-92	NON SUSPENSION SEAT ASSY	1	
2-	5242133-41	FLANGE NUT	4	
== END ==				

SEAT ASSY INNER PARTS



Service News	Change Item	Interchangeability
B-11648501	Item 1, 3, 5, 7, 8, 9, 15	Refer to Service News

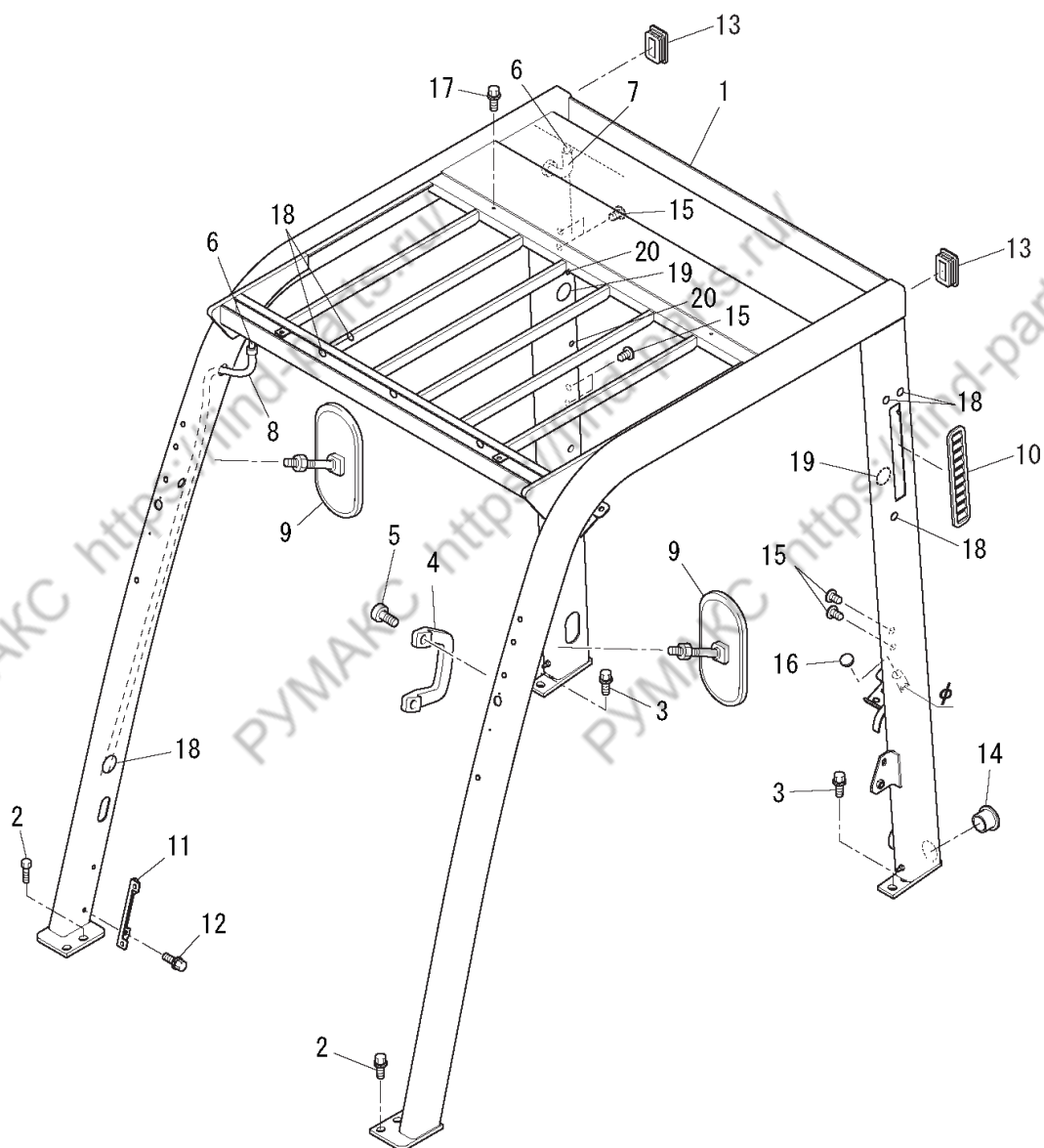
## SEAT ASSY INNER PARTS

Item	PartNo.	Description	Q'ty	Remarks
1-	5242446-50	(NA)SUSPENSION SEAT ASSY	1	INCL.2-14
1-	5243113-36	(NA)SUSPENSION SEAT ASSY	1	INCL.2-15
1-	5243200-91	SUSPENSION SEAT ASSY	1	INCL.2-15
1-	5242460-23	(NA)NON SUSPENSION SEAT ASSY	1	INCL.2-14
1-	5243113-39	(NA)NON SUSPENSION SEAT ASSY	1	INCL.2-15
1-	5243200-92	NON SUSPENSION SEAT ASSY	1	INCL.2-15
2-	5242604-09	PAD CAMP, BACK	1	
3-	5242604-10	(NA)SUSPENSION ASSY	1	SUSPENSION SEAT
3-	5243120-33	(NA)SUSPENSION ASSY	1	SUSPENSION SEAT
3-	5243201-32	SUSPENSION ASSY	1	SUSPENSION SEAT
3-	5242604-21	(NA)FRAME COMP UPPER	1	NON SUSPENSION SEAT
3-	5243120-34	(NA)FRAME COMP UPPER	1	NON SUSPENSION SEAT
3-	5243201-36	FRAME COMP UPPER	1	NON SUSPENSION SEAT
4-	5242604-11	LID SET, SEAT	1	
5-	5242604-12	(NA)SEAT SET, CUSHION	1	SUSPENSION SEAT
5-	5243113-37	(NA)SEAT SET, CUSHION	1	SUSPENSION SEAT
5-	5243201-33	SEAT SET, CUSHION	1	SUSPENSION SEAT
5-	5242604-22	(NA)SEAT SET, CUSHION	1	NON SUSPENSION SEAT
5-	5243113-40	(NA)SEAT SET, CUSHION	1	NON SUSPENSION SEAT
5-	5243201-37	SEAT SET, CUSHION	1	NON SUSPENSION SEAT
6-	5242604-13	GRIP SET, R.H.	1	
7-	5242604-14	(NA)GRIP SET, L.H.	1	
7-	5243113-38	GRIP SET, L.H.	1	
8-	5242604-15	(NA)BELT SET, SEAT	1	
8-	5243113-56	(NA)BELT SET, SEAT	1	
8-	5243272-99	BELT SET, SEAT	1	
9-	5242604-16	(NA)BUCKLE SET, SEAT	1	
9-	5243113-57	(NA)BUCKLE SET, SEAT	1	
9-	5243201-35	BUCKLE SET, SEAT	1	
10-	5242604-17	COVER SET, ADJUSTER	1	SUSPENSION SEAT
11-	5242604-18	KNOB RECLINING	1	
12-	5242460-24	SWITCH SET	1	

**SEAT ASSY INNER PARTS**

Item	PartNo.	Description	Q'ty	Remarks
13-	5242604-19	SLIDE RAIL SET, A	1	R.H.
14-	5242604-20	SLIDE RAIL SET, C	1	L.H.
15-	5242707-43	HOOK SET	1	
== END ==				

OVER HEAD GUARD & MIRROR



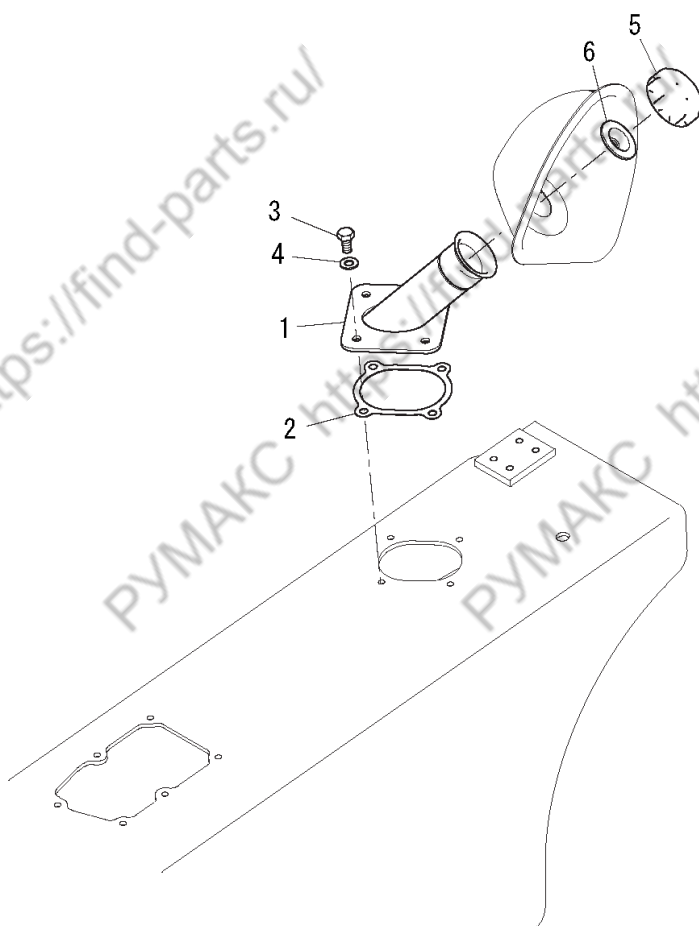
Service Bulletin	Change Item	Interchangeability
B-142613	Item 9	Refer to Service Bulletin

**OVER HEAD GUARD & MIRROR**

Item	PartNo.	Description	Q'ty	Remarks
1-	5242507-11	(NA)OHG STD BLACK 1.0-2.0T	1	AK
1-	5242645-04	(NA)OHG STD BLACK 1.0-2.0T	1	AK
1-	5242788-14	OHG STD BLACK 1.0-2.0T	1	AK/AKE
1-	5242507-13	(NA)OHG STD BLACK 2.0-3.5T	1	RK/TK
1-	5242645-06	(NA)OHG STD BLACK 2.0-3.5T	1	RK/TK
1-	5242788-16	OHG STD BLACK 2.0-3.5T	1	RK/TK/TKE
2-	5242133-97	SEMS BOLT	4	
3-	5242133-98	SEMS BOLT	2	
4-	9294633-00	GRIP	1	
5-	9099184-12	BOLT	2	
6-	5242353-78	JOINT TUBE	2	
7-	5242102-99	VINYL TUBE	1	
8-	5242103-00	VINYL TUBE	1	
9-	9292524-00	(NA)MIRROR, BACK	2	FOR ASIA/AUS/KOR
9-	5500253-55	MIRROR, BACK	2	FOR ASIA/AUS/KOR
10-	9253344-00	GRILL AIR INLET	1	
11-	5242509-14	PLATE	2	
12-	5242133-90	SEMS BOLT	4	
13-	5242498-58	CAP OHG	2	
14-	5042417-83	HOLE PLUG	1	TO 2006.5
15-	5042417-82	HOLE PLUG	6	
16-	9105431-05	CAP, RUBBER	1	FOR $\phi$ 22 TO 2005.12
16-	9105431-08	CAP, RUBBER	1	FOR $\phi$ 26 FROM 2006.1
17-	5242133-73	SEMS BOLT	2	
18-	5242529-71	LABEL SEAL 25 SET	1	
19-	5243050-08	LABEL	2	
20-	5242507-65	CLIP	2	
== END ==				

# FUEL INLET FOR GAS/DUAL FUEL

FOR GAS



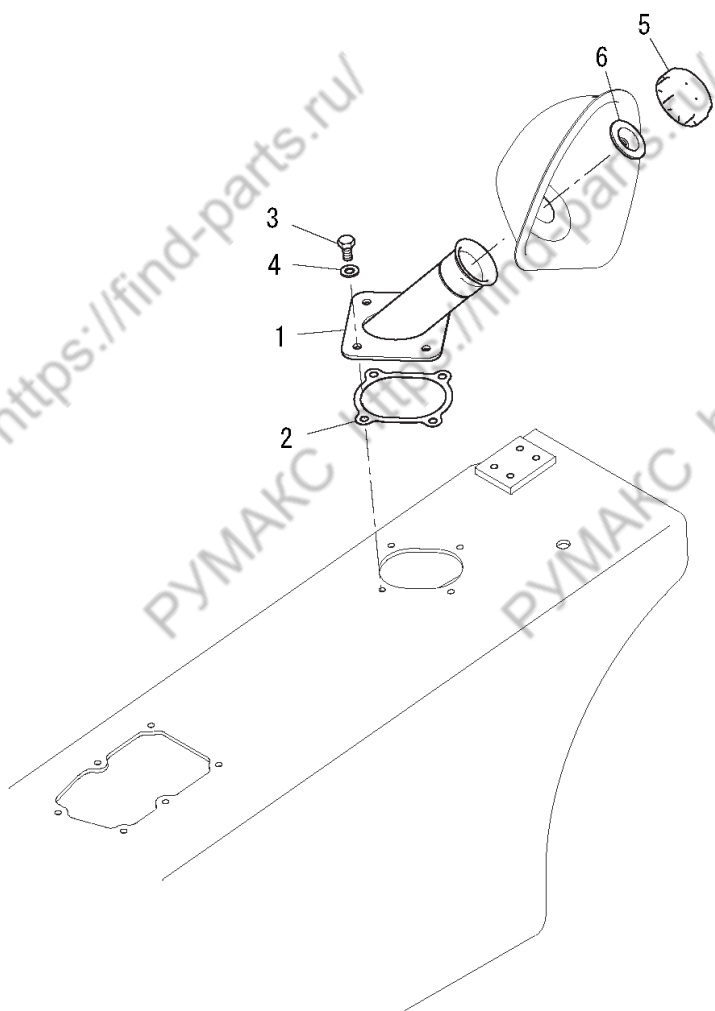


**FUEL INLET FOR GAS/DUAL FUEL**

Item	PartNo.	Description	Q'ty	Remarks
1-	5242436-95	COVER FUEL TANK	1	
2-	5242436-98	GASKET FUEL	1	
3-	9099044-08	SWAGE BOLT	4	
4-	9114591-00	WASHER	4	
5-	9198914-02	CAP, FUEL	1	
6-	9122073-00	GASKET-FUEL CAP	1	
== END ==				

# FUEL INLET FOR DSL

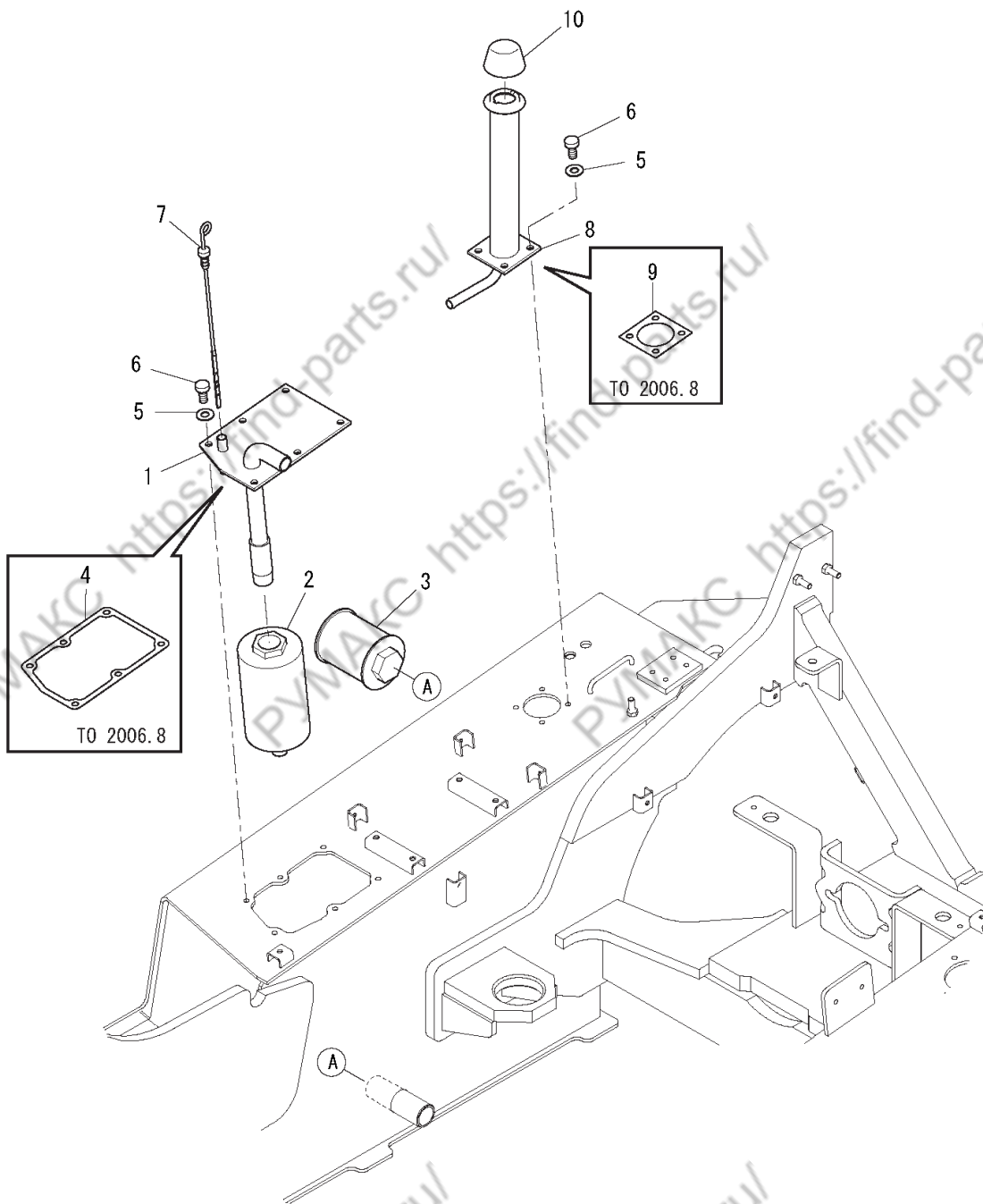
FOR DSL



**FUEL INLET FOR DSL**

Item	PartNo.	Description	Q'ty	Remarks
1-	5242436-95	COVER FUEL TANK	1	
2-	5242436-98	GASKET FUEL	1	
3-	9099044-08	SWAGE BOLT	4	
4-	9114591-00	WASHER	4	
5-	9198904-04	CAP, FUEL	1	
6-	9122073-00	GASKET-FUEL CAP	1	
== END ==				

OIL TANK

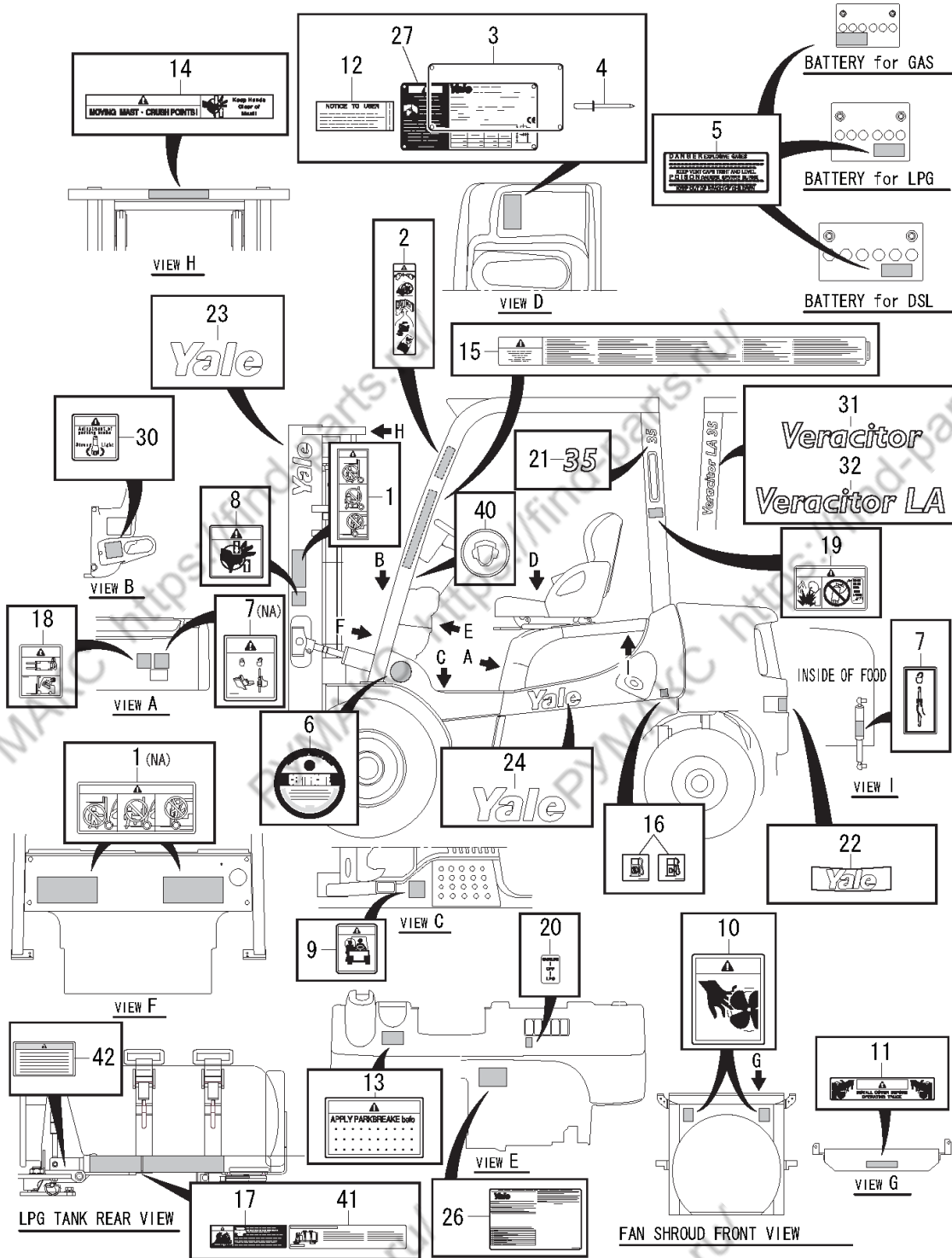


Service Bulletin	Change Item	Interchangeability
B-11359724	Item 3	Refer to Service Bulletin
B-11359744	Item 4, 9	Refer to Service Bulletin

**OIL TANK**

Item	PartNo.	Description	Q'ty	Remarks
1-	5242498-48	COVER OIL TANK	1	
2-	9105444-00	FILTER RETURN	1	
3-	9032403-08	SUCTION FILTER	1	
4-	5242482-15	GASKET OIL TANK COVER	1	TO 2006.8
5-	9114591-00	WASHER	10	
6-	9099044-08	SWAGE BOLT	10	
7-	5242498-38	GAUGE OIL LEVEL	1	
8-	5242337-28	OIL FILLER	1	
9-	5242498-45	GASKET OIL FILLER	1	TO 2006.8
10-	9003968-03	CAP ASSY	1	
	==	END	==	

DECAL



Service News	Change Item	Interchangeability
B-114485	Item 7	Refer to Service News

## DECAL

Item	PartNo.	Description	Q'ty	Remarks
1-	5800588-20	(NA)MAST WARNING LABEL	2	
1-	5800776-92	MAST WARNING LABEL	2	
2-	5059735-24	LABEL OPERATOR RESTR	2	
3-	5800080-64	NAME PLATE COVER	1	
4-	9050491-01	POP RIVET	4	
5-	9061731-00	LABEL CAUTION BATTERY	1	ENGLISH
5-	5800879-92	LABEL, CAUTION BATTERY	1	RUSSIAN
6-	NA	LABEL CERTIFICATE	1	
7-	5800583-56	(NA)LABEL, LOCKING GAS SPRING CAUTION	1	
7-	5800795-04	LABEL, LOCKING GAS SPRING CAUTION	1	
8-	5059745-57	LABEL PINCH POINT	2	
9-	5059725-66	LABEL NO RIDERS	2	
10-	5059735-86	DECAL, FAN WARNING	2	
11-	5059745-78	LABEL FAN WARNING	1	ENGLISH
11-	5059765-03	LABEL FAN WARNING	1	SPANISH
11-	5800260-15	LABEL FAN WARNING	2	RUSSIAN
12-	5800486-35	NAME PLATE TAG	1	ENGLISH
12-	5800069-02	NAME PLATE TAG	1	SPANISH
12-	5800770-19	NAME PLATE TAG	1	RUSSIAN
13-	5194326-75	LABEL PARK BRAKE WARNING	1	ENGLISH
13-	5194326-85	LABEL PARK BRAKE WARNING	1	SPANISH
13-	5800260-67	LABEL PARK BRAKE WARNING	1	RUSSIAN
14-	9000172-69	MAST WARNING LABEL	1	ENGLISH
14-	9000172-70	MAST WARNING LABEL	1	SPANISH
14-	5800868-54	MAST WARNING LABEL	1	RUSSIAN
15-	5800553-13	LABEL OPERATOR WARNING	1	ENGLISH
15-	5800553-24	LABEL OPERATOR WARNING	1	SPANISH
15-	5800553-33	LABEL OPERATOR WARNING	1	RUSSIAN
16-	5800565-14	LABEL FUEL	1	GP/GTP
16-	5800565-15	LABEL FUEL	1	GDP
17-	5059735-04	LABEL FLAMMABLE LP GAS	1	GTP/GLP ENGLISH
17-	5059765-19	LABEL FLAMMABLE LP GAS	1	GTP/GLP SPANISH

## DECAL

Item	PartNo.	Description	Q'ty	Remarks
17-	5800259-88	LABEL FLAMMABLE LP GAS	1	GLP/GTP RUSSIAN
18-	5800587-72	LABEL HOOD OPENING CAUTION	1	GTP/GLP
19-	5800010-08	LABEL ETHER WARNING	1	GDP
20-	5242356-65	DECAL DUAL FUEL SWITCH	1	GTP
21-	5242494-24	DECAL TRUCK MODEL 15	2	
21-	5242494-25	DECAL TRUCK MODEL 18	2	
21-	5242494-26	DECAL TRUCK MODEL 20	2	
21-	5242494-27	DECAL TRUCK MODEL 25	2	
21-	5242494-28	DECAL TRUCK MODEL 30	2	
21-	5242494-29	DECAL TRUCK MODEL 35	2	
22-	9270284-02	DECAL YALE	1	
23-	5242088-81	LABEL YALE	2	
24-	5242088-80	LABEL YALE	2	
26-	NA	LABEL PATENTS & TRADEMARKS	1	
27-	NA	LABEL NAMEPLATE ENGLISH	1*	
27-	NA	LABEL NAMEPLATE ENGLISH FOR AUS	AR	
27-	NA	LABEL NAMEPLATE SPANISH	AR	
27-	NA	LABEL NAMEPLATE ENGLISH	AR	
27-	NA	LABEL NAMEPLATE RUSSIAN	AR	
30-	5800735-68	LABEL, PARKING BRAKE	1	ENGLISH
30-	5800735-69	LABEL, PARKING BRAKE	1	SPANISH
30-	5800868-55	LABEL, PARKING BRAKE	1	RUSSIAN
31-	5242494-22	DECAL, VERACITOR	1	
32-	5242559-59	LABEL, VERACITOR LA	1	
40-	5800879-15	LABEL, HEADPHONE	1	RUSSIAN
41-	5800775-73	(NA)LABEL, LP TANK OPERATION	1	ENGLISH
41-	5800785-20	LABEL, LP TANK OPERATION	1	ENGLISH
41-	5800775-74	(NA)LABEL, LP TANK OPERATION	1	SPANISH
41-	5800785-21	LABEL, LP TANK OPERATION	1	SPANISH
41-	5800875-99	LABEL, LP TANK OPERATION	1	RUSSIAN
42-	5800785-22	LABEL, LP TANK CAUTION	1	ENGLISH
42-	5800785-23	LABEL, LP TANK CAUTION	1	SPANISH



**DECAL**

Item	PartNo.	Description	Q'ty	Remarks
42-	5800868-57	LABEL, LP TANK CAUTION	1	RUSSIAN

== END ==

## 5.00 Hydraulic System

**5.00**

HYD. SUPPLY & RETURN COMMON PARTS .....	5.00- 3
HYD. SUPPLY & RETURN FOR AK/AKE .....	5.00- 5
HYD. SUPPLY & RETURN FOR RK/TK/TKE .....	5.00- 7
HYD. SUCTION GROUP FOR GP/GTP/GLP .....	5.00- 9
HYD. SUCTION GROUP FOR GDP .....	5.00- 11
A.T. OIL PIPING FOR GP/GTP/GLP .....	5.00- 13
A.T. OIL PIPING FOR GDP .....	5.00- 15
GEAR PUMP GROUP FOR GP/GTP/GLP .....	5.00- 17
GEAR PUMP GROUP FOR GDP .....	5.00- 19
GEAR PUMP ASSY INNER PARTS (30.0/33.3/36.0CC) FOR GP/GTP/GLP .....	5.00- 21
GEAR PUMP ASSY INNER PARTS (26.5/28.2/31.5CC) FOR GDP .....	5.00- 23
PUMP DRIVE FOR GP/GTP/GLP .....	5.00- 25
CONTROL VALVE & LEVER 2-SPOOL .....	5.00- 27
CONTROL VALVE & LEVER 3-SPOOL .....	5.00- 29
CONTROL VALVE ASSY W/O INTER LOCK 2- SPOOL .....	5.00- 31
CONTROL VALVE ASSY W/O INTER LOCK 3- SPOOL .....	5.00- 33
SPOOL SECTION ASSY LIFT W/O INTER LOCK .....	5.00- 35

5.00 Hydraulic System

**5.00**

SPOOL SECTION ASSY TILT	.....	5.00- 39
SPOOL SECTION ASSY ATT	.....	5.00- 41

PYMAKC <https://find-parts.ru/>

PYMAKC <https://find-parts.ru/>

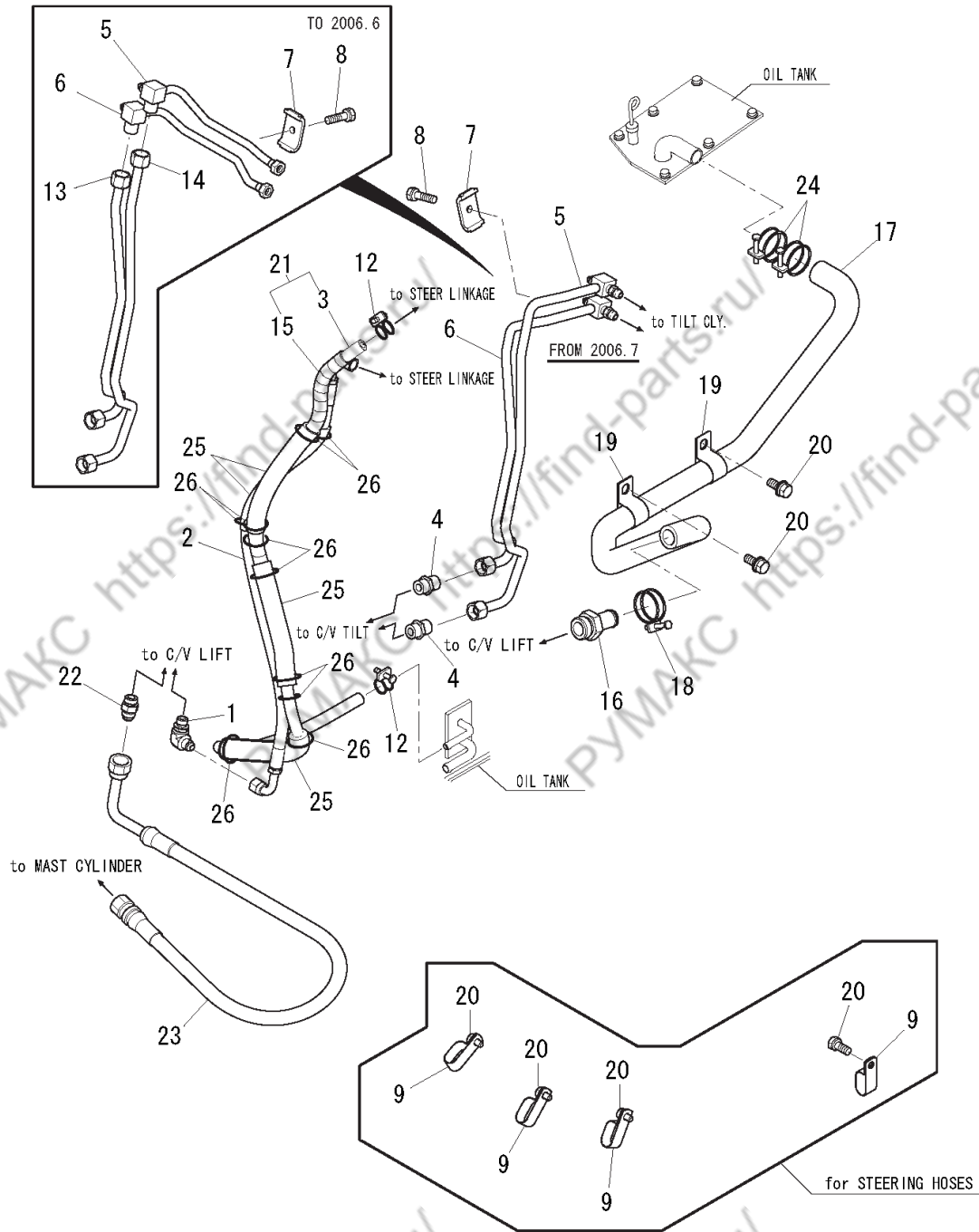
PYMAKC <https://find-parts.ru/>

<https://find-parts.ru/>

<https://find-parts.ru/>

<https://find-parts.ru/>

HYD. SUPPLY & RETURN COMMON PARTS



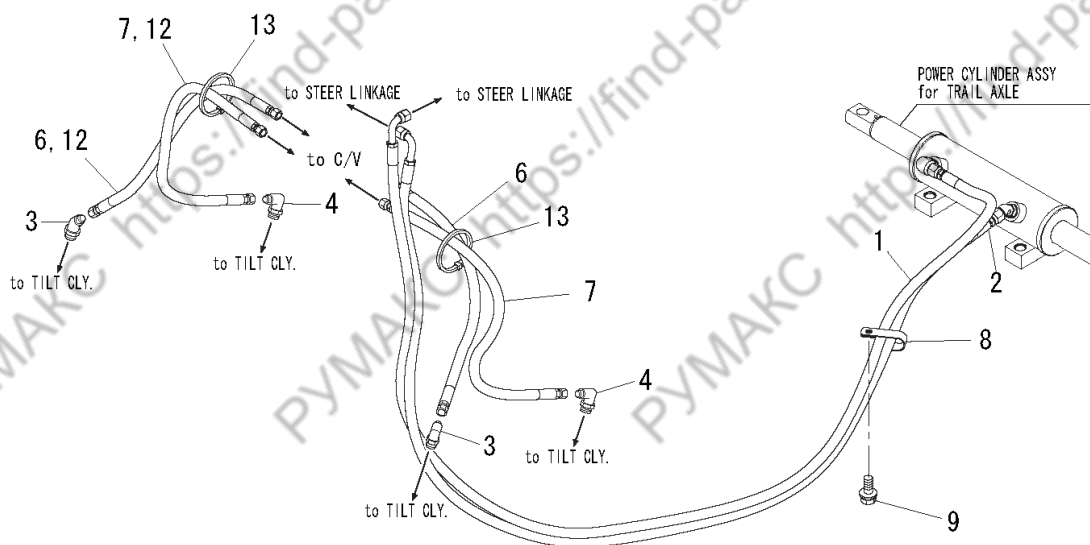
Service Bulletin	Change Item	Interchangeability
B-11359736	Item 5, 6, 13, 14	Refer to Service Bulletin
B-116427	Item 18	Refer to Service Bulletin

## HYD. SUPPLY &amp; RETURN COMMON PARTS

Item	PartNo.	Description	Q'ty	Remarks
1-	0526422-00	FITTING	1	
2-	5242353-66	HOSE ASSY L=680	1	
3-	9021851-77	HOSE RETURN	1	
4-	9230029-03	FITTING	2	
5-	5242508-65	PIPE TILT UPPER	1	TO 2006.6
5-	5242806-48	TILT PIPE ASSY, ROD	1	FROM 2006.7
6-	5242508-66	PIPE TILT LOWER	1	TO 2006.6
6-	5242806-49	TILT PIPE ASSY, BOTTOM	1	FROM 2006.7
7-	9037941-00	CLAMP HOSE	1	
8-	5242133-55	SEMS BOLT	1	
9-	5004129-04	CLAMP	3	TO 2008.8
9-	5004129-04	CLAMP	4	FROM 2008.9
12-	9601009-59	CLAMP, HOSE WA 17	2	
13-	5242508-61	TUBE ASSY, TILT	1	TO 2006.6
14-	5242508-62	TUBE ASSY, TILT	1	TO 2006.6
15-	5242483-27	TUBE SPIRAL L=1300	1	
16-	5242515-38	FITTING	1	
17-	5242479-38	HOSE RETURN	1	
18-	9601009-13	(NA)CLAMP HOSE WA 36	1	
18-	9022361-03	CLAMP HOSE	1	
19-	0600238-00	CLAMP	2	
20-	5242133-83	SEMS BOLT	5	TO 2008.8
20-	5242133-83	SEMS BOLT	6	FROM 2008.9
21-	5242544-47	HOSE & SPIRAL TUBE L=1450	1	INCL.3,15
22-	0526434-00	FITTING	1	
23-	5242544-58	HOSE ASSY L=670	1	
24-	9601009-61	CLAMP, HOSE WA 32	AR	
24-	9601009-62	CLAMP, HOSE WA 34	2*	
25-	9108491-04	TUBE VINYL	4	FROM 2006.4
26-	9032591-03	TIE LAP L=185~200	11	FROM 2006.4
	==	END	==	

HYD. SUPPLY & RETURN FOR AK/AKE

for AK/AKE



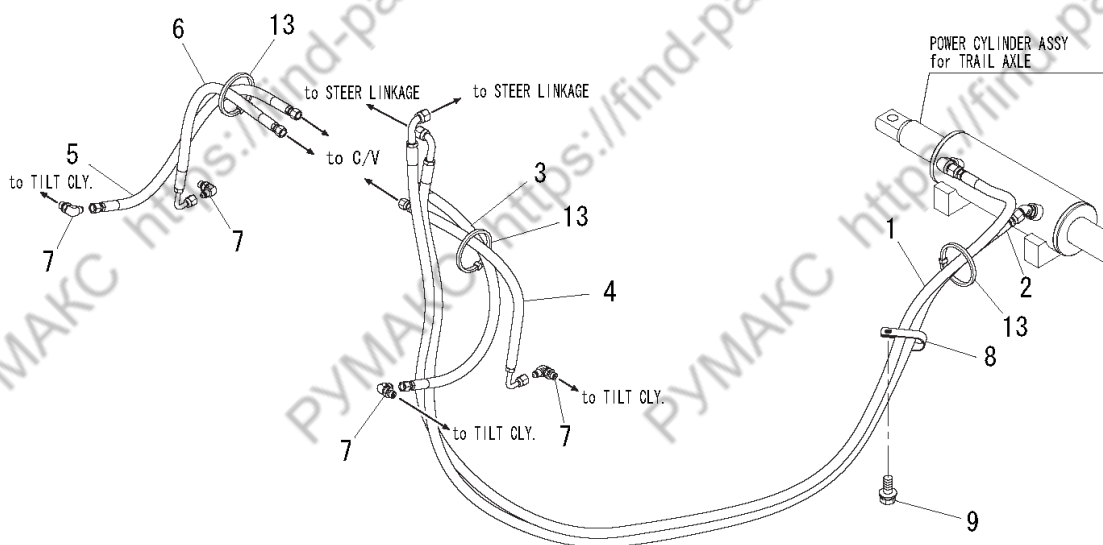
Service News	Change Item	Interchangeability
B-11359736	Item 6, 7, 12	Refer to Service News

## HYD. SUPPLY &amp; RETURN FOR AK/AKE

Item	PartNo.	Description	Q'ty	Remarks
1-	9040804-56	HOSE ASSY L=2250	1	
2-	9040804-55	HOSE ASSY L=2050	1	
3-	0587212-00	FITTING	2	
4-	0563631-00	FITTING	2	
6-	9116674-21	HI PRESS HOSE L=470	1	TO 2006.6
6-	5242807-99	HI PRESS HOSE L=530	2	FROM 2006.7
7-	5242512-09	HI PRESS HOSE L=490	1	TO 2006.6
7-	5242725-71	HI PRESS HOSE L=570	2	FROM 2006.7
8-	9094683-02	CLAMP	1	
9-	5242133-83	SEMS BOLT	1	
12-	5242544-64	HI PRESS HOSE L=430	2	TO 2006.6
13-	9032591-03	TIE LAP L=185~200	2	
	==	END	==	

HYD. SUPPLY & RETURN FOR RK/TK/TKE

for RK/TK/TKE



Service News	Change Item	Interchangeability
B-11359736	Item 3, 4, 5, 6	Refer to Service News

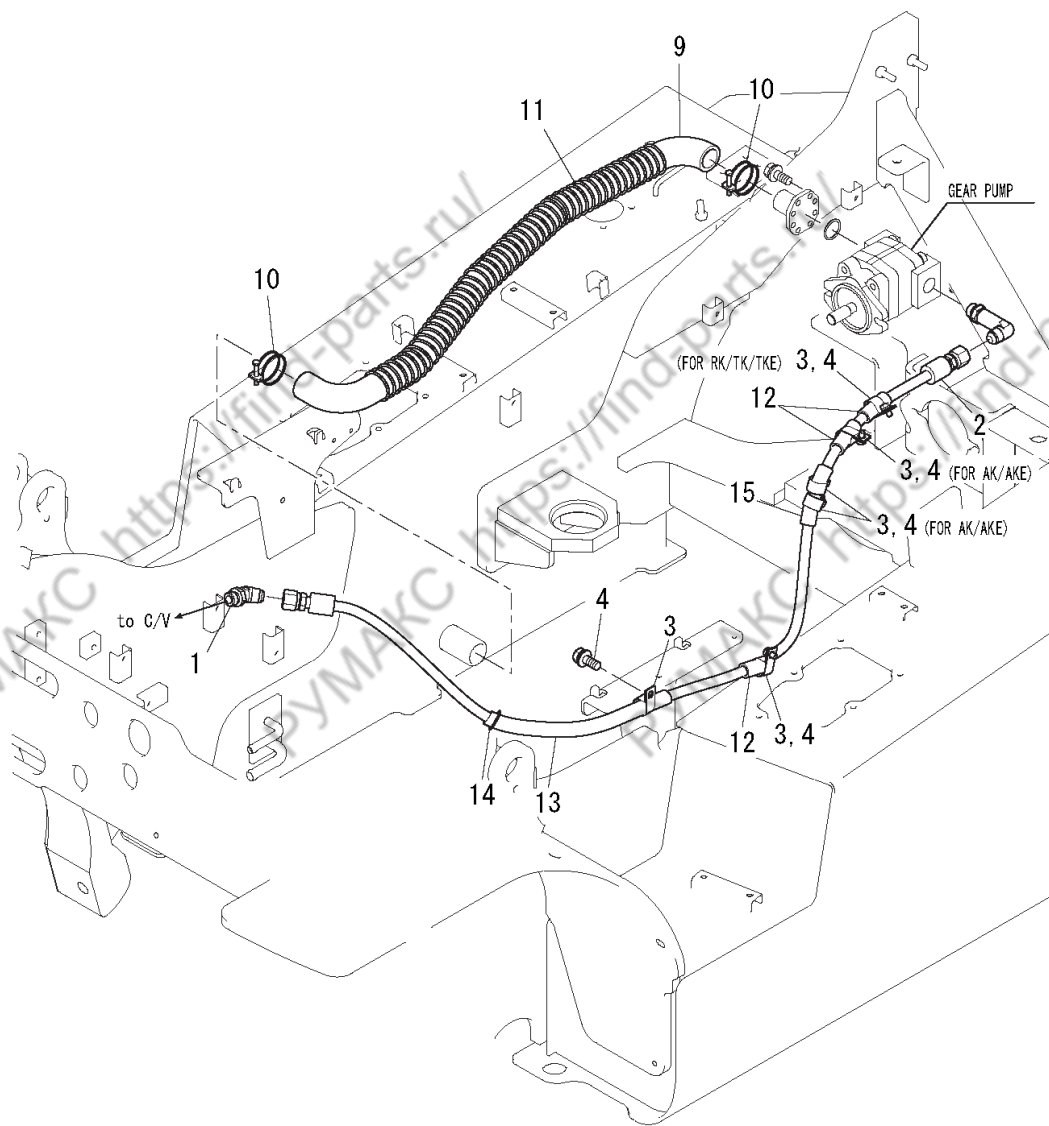


## HYD. SUPPLY &amp; RETURN FOR RK/TK/TKE

Item	PartNo.	Description	Q'ty	Remarks
1-	9040804-74	HOSE ASSY L=2390	1	20,25RK/TK/TKE
1-	5242653-73	HOSE ASSY L=2450	1	30,35TK/TKE
2-	5242653-70	HOSE ASSY L=2210	1	20,25RK/TK/TKE
2-	5242653-72	HOSE ASSY L=2290	1	30,35TK/TKE
3-	9116674-07	HI PRESS HOSE L=550	1	TO 2006.6
3-	9116674-18	HI PRESS HOSE L=600	1	FROM 2006.7
4-	5242512-10	HI PRESS HOSE L=480	1	TO 2006.6
4-	9040794-28	HI PRESS HOSE L=510	1	FROM 2006.7
5-	5242512-09	HI PRESS HOSE L=490	1	TO 2006.6
5-	9116674-18	HI PRESS HOSE L=600	1	FROM 2006.7
6-	9040794-25	HI PRESS HOSE L=350	1	TO 2006.6
6-	9040794-28	HI PRESS HOSE L=510	1	FROM 2006.7
7-	0563631-00	FITTING	4	
8-	9094683-02	CLAMP	1	
9-	5242133-83	SEMS BOLT	1	
13-	9032591-03	TIE LAP L=185~200	3	
	==	END	==	

# HYD. SUCTION GROUP FOR GP/GTP/GLP

FOR GP/GTP/GLP

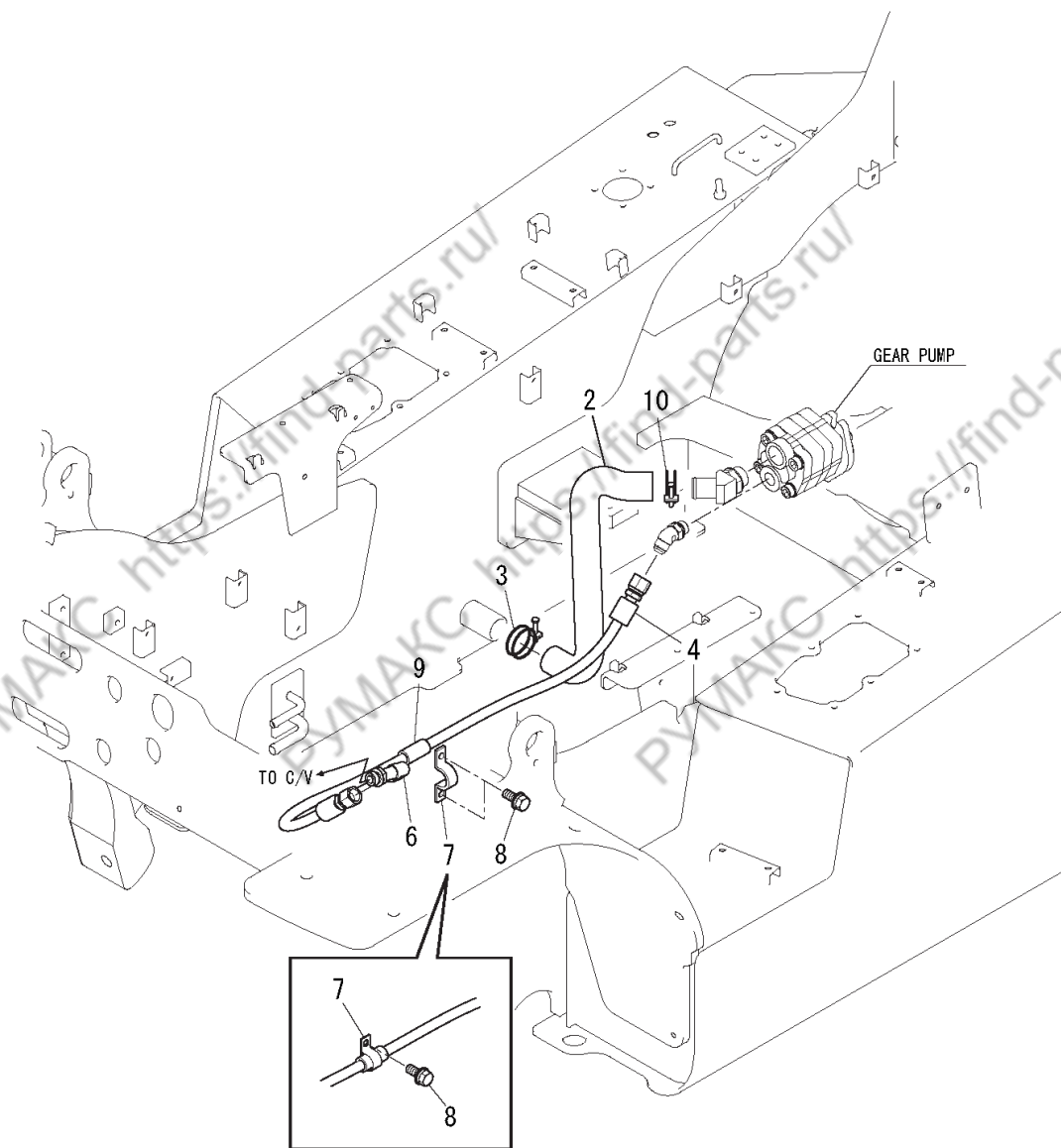


## HYD. SUCTION GROUP FOR GP/GTP/GLP

Item	PartNo.	Description	Q'ty	Remarks
1-	0569430-00	FITTING	1	
2-	5242548-49	HOSE L=1880	1	AK/AKE
2-	5242524-20	HOSE L=1800	1	RK/TK/TKE
3-	0600237-00	CLAMP	5	AK/AKE
3-	0600237-00	CLAMP	3	RK/TK/TKE
4-	5242133-83	SEMS BOLT	5	AK/AKE
4-	5242133-83	SEMS BOLT	3	RK/TK/TKE
9-	5242483-74	HOSE SUCTION, GAS	1	
10-	9601009-58	CLAMP, HOSE WA 46	2	
11-	9315323-03	SPRING GUARD L=770	1	
12-	9041241-02	HOSE VINYL	2	FROM 2006.3
13-	9041241-03	HOSE VINYL	1	FROM 2006.3
14-	9032591-03	TIE LAP L=185~200	1	FROM 2006.3
15-	9041241-01	HOSE VINYL	1	FROM 2006.3 AK/AKE
	==	END	==	

HYD. SUCTION GROUP FOR GDP

FOR GDP



Service Bulletin	Change Item	Interchangeability
B-116310	Item 10	Refer to Service Bulletin

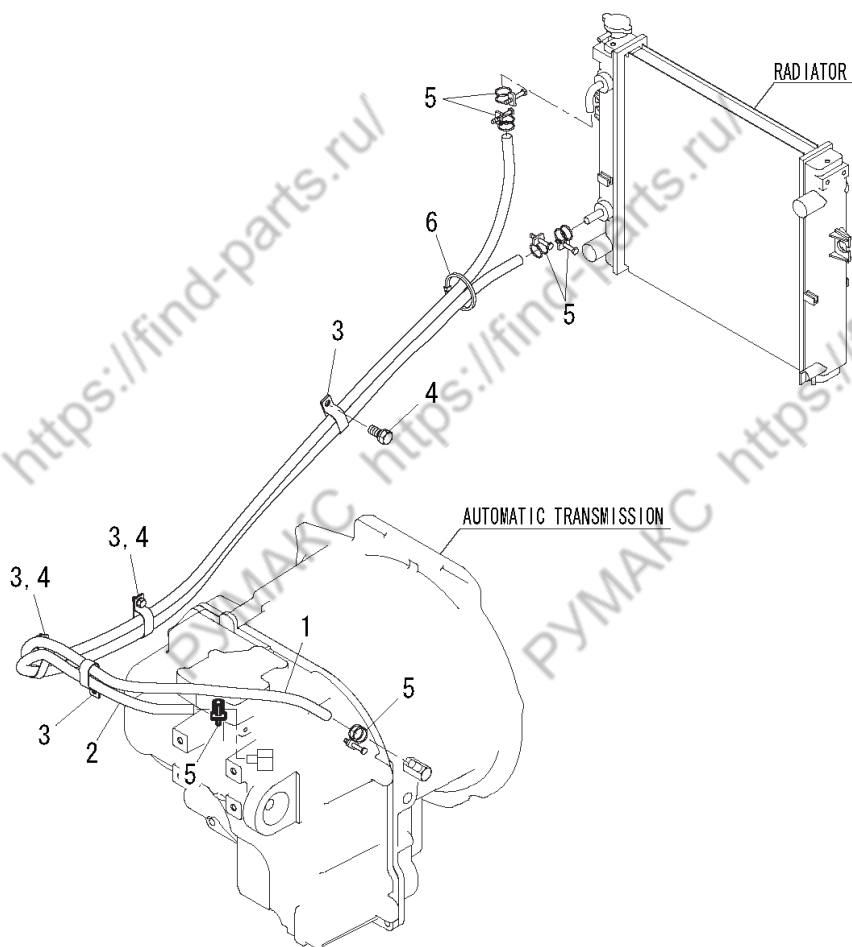
## HYD. SUCTION GROUP FOR GDP

Item	PartNo.	Description	Q'ty	Remarks
2-	5242337-52	HOSE SUCTION, DSL	1	
3-	9601009-58	CLAMP, HOSE WA 46	1	
4-	5242596-78	HOSE L=1160	1	
6-	5022319-02	FITTING	1	
7-	0600237-00	CLAMP	1	1 BOLT TYPE
7-	9308183-01	CLAMP	1	2 BOLTS TYPE
8-	5242133-83	SEMS BOLT	1	
8-	5242133-83	SEMS BOLT	2	
9-	9041241-02	HOSE VINYL	1	
10-	9601009-58	(NA)CLAMP, HOSE WA 46	1	
10-	9022361-04	CLAMP, HOSE WA 38	1	

== END ==

# A.T. OIL PIPING FOR GP/GTP/GLP

FOR GP/GTP/GLP

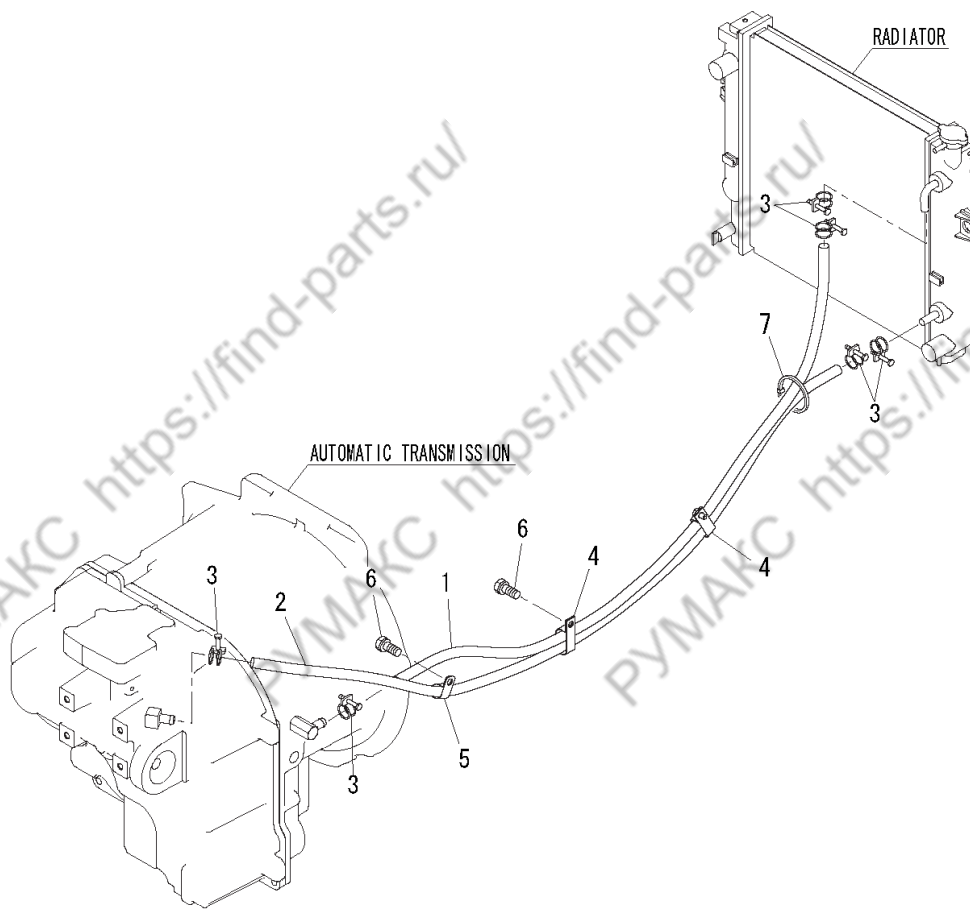


**A.T. OIL PIPING FOR GP/GTP/GLP**

Item	PartNo.	Description	Q'ty	Remarks
1-	5242653-85	OIL HOSE L=2150	1	
2-	9083113-15	OIL HOSE L=1680	1	
3-	9094683-02	CLAMP	4	
4-	5242133-83	SEMS BOLT	3	
5-	9601009-06	CLAMP, HOSE WA 22	6	
6-	9032591-03	TIE LAP L=185~200	1	
== END ==				

# A.T. OIL PIPING FOR GDP

FOR GDP



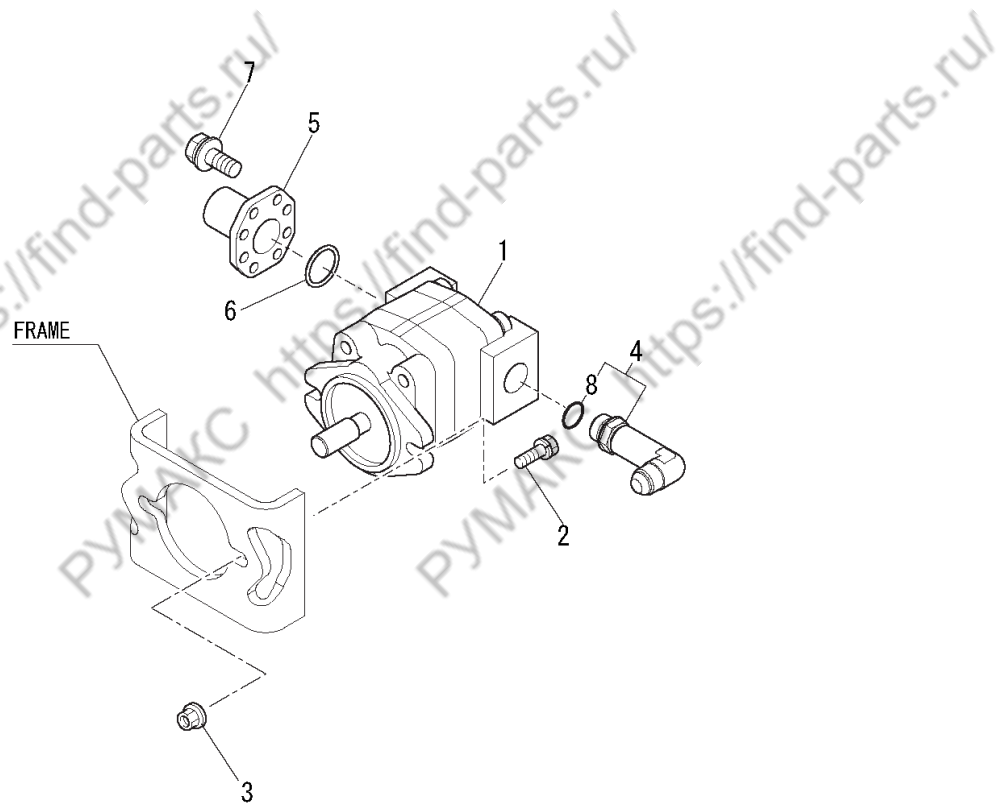


**A.T. OIL PIPING FOR GDP**

Item	PartNo.	Description	Q'ty	Remarks
1-	9083113-01	OIL HOSE L=1150	1	
2-	9083113-25	OIL HOSE L=1300	1	
3-	9601009-06	CLAMP, HOSE WA 22	6	
4-	9094683-02	CLAMP	2	
5-	9106153-03	HOSE CLAMP	1	
6-	5242133-83	SEMS BOLT	3	
7-	9032591-03	TIE LAP L=185~200	1	

== END ==

GEAR PUMP GROUP FOR GP/GTP/GLP



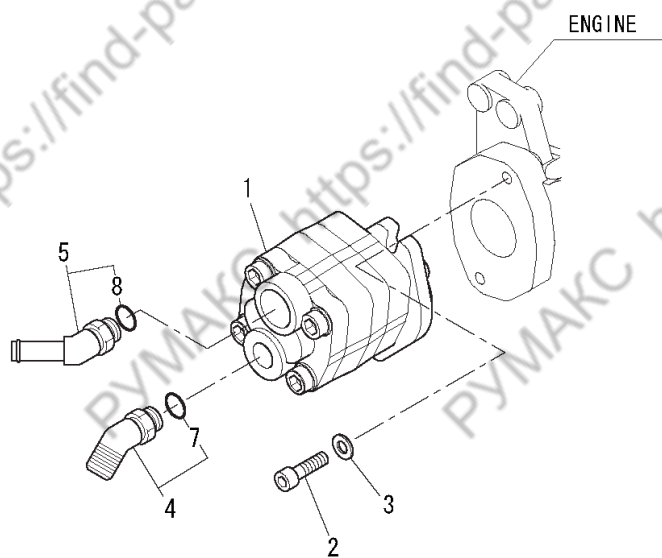
Service Bulletin	Change Item	Interchangeability
B-114208A	Item 1	Refer to Service Bulletin

## GEAR PUMP GROUP FOR GP/GTP/GLP

Item	PartNo.	Description	Q'ty	Remarks
1-	5800655-11	(NA)GEAR PUMP ASSY 30.0CC	1	AK
1-	5800771-85	GEAR PUMP ASSY 30.0CC	1	AK/AKE
1-	5800655-12	(NA)GEAR PUMP ASSY 33.3CC	1	20,25RK, 35TK
1-	5800771-86	GEAR PUMP ASSY 33.3CC	1	20,25RK, 35TK/TKE
1-	5800655-13	(NA)GEAR PUMP ASSY 36.0CC	1	20-30TK
1-	5800771-87	GEAR PUMP ASSY 36.0CC	1	20-30TK/TKE
2-	5242133-93	SEMS BOLT	2	
3-	5242133-42	FLANGE NUT	2	
4-	9099424-04	ELBOW	1	INCL.8
5-	9172914-00	CONNECTOR SUCTION	1	
6-	9218019-02	O-RING	1	
7-	5242133-84	SEMS BOLT	2	
8-	0526454-00	O-RING	1	

== END ==

# GEAR PUMP GROUP FOR GDP



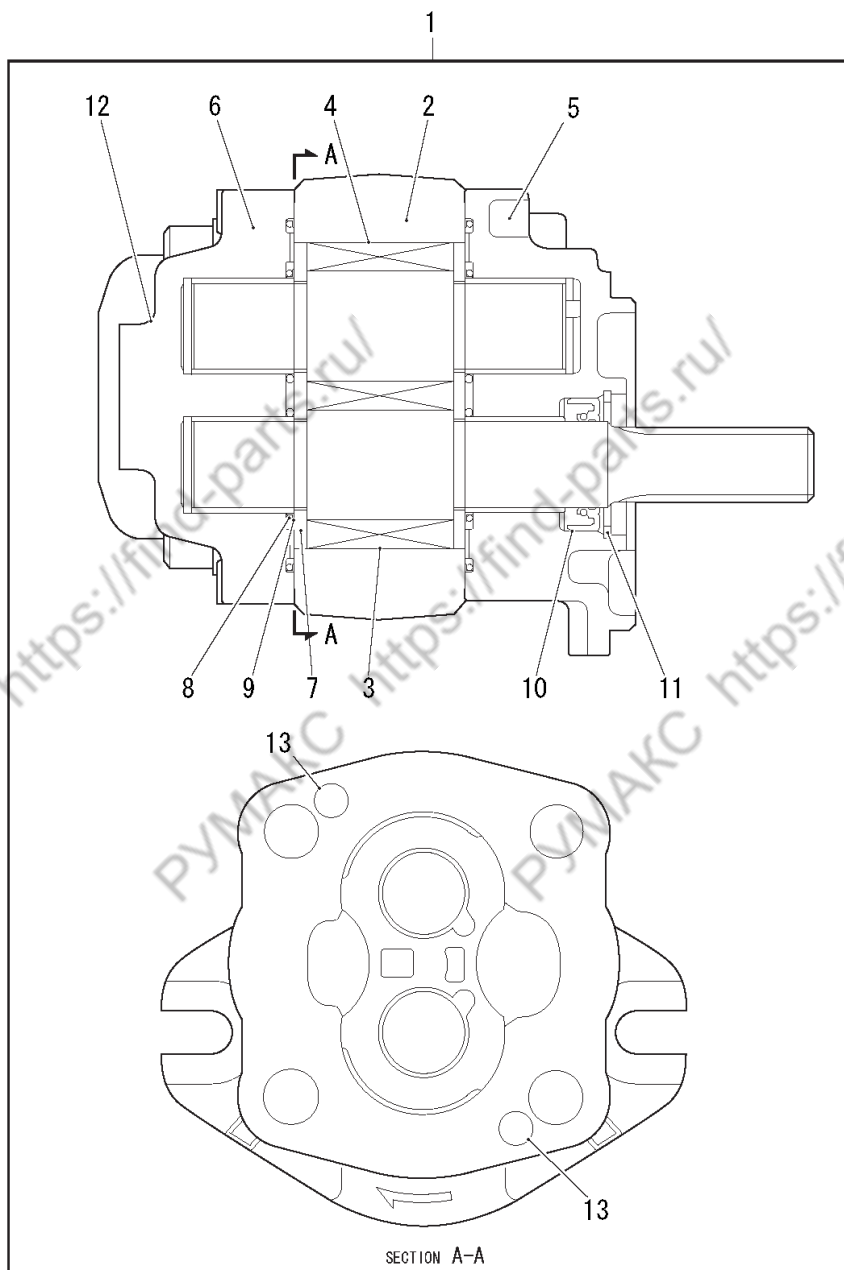
**GEAR PUMP GROUP FOR GDP**

Item	PartNo.	Description	Q'ty	Remarks
1-	5800655-08	GEAR PUMP ASSY 26.5CC	1	AK
1-	5800655-09	GEAR PUMP ASSY 28.2CC	1	20,25RK, 35TK
1-	5800655-10	GEAR PUMP ASSY 31.5CC	1	20-30TK
2-	4490021-42	BOLT	2	
3-	5025669-04	WASHER	2	
4-	0569430-00	FITTING	1	INCL.7
5-	5800667-79	NIPPLE HOSE FITTING	1	INCL.8
7-	0526454-00	O-RING	1	
8-	0526457-00	O-RING	1	

== END ==

**GEAR PUMP ASSY INNER PARTS (30.0/33.3/36.0CC) FOR GP/GTP/GLP**

30.0/33.3/36.0cc FOR GAS/LPG



Item	Description	Remarks
14	KIT REPAIR	INCL. 8, 9, 10, 11
15	KIT B	INCL. 3, 4

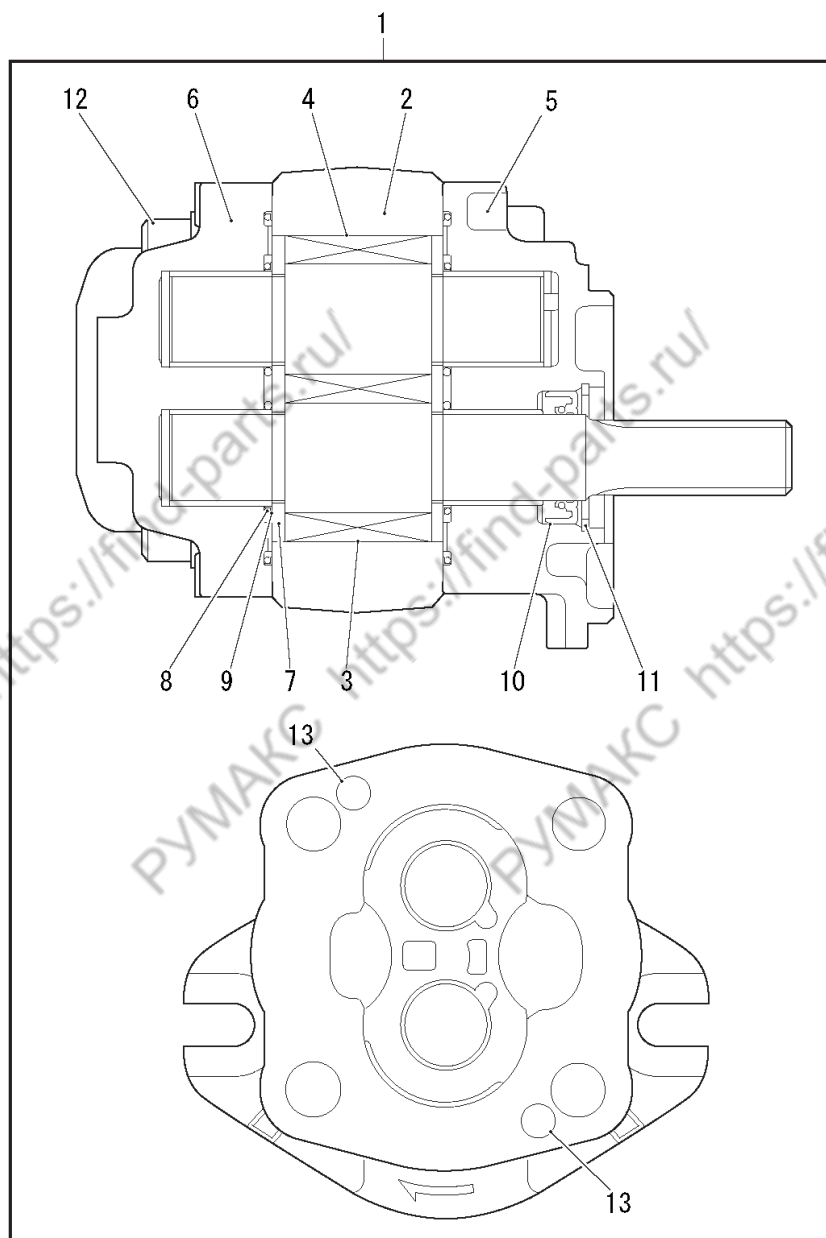
Service Bulletin	Change Item	Interchangeability
B-114208A	Item 1, 15	Refer to Service Bulletin

**GEAR PUMP ASSY INNER PARTS (30.0/33.3/36.0CC) FOR GP/GTP/GLP**

Item	PartNo.	Description	Q'ty	Remarks
1-	5800655-11	(NA)GEAR PUMP ASSY 30.0CC	1	INCL.2-13 AK
1-	5800771-85	GEAR PUMP ASSY 30.0CC	1	INCL.2-13 AK/AKE
1-	5800655-12	(NA)GEAR PUMP ASSY 33.3CC	1	INCL.2-13 20,25RK, 35TK
1-	5800771-86	GEAR PUMP ASSY 33.3CC	1	INCL.2-13 20,25RK, 35TK/TKE
1-	5800655-13	(NA)GEAR PUMP ASSY 36.0CC	1	INCL.2-13 20-30TK
1-	5800771-87	GEAR PUMP ASSY 36.0CC	1	INCL.2-13 20-30TK/TKE
2-	NSS	GEAR PLATE	1	
3-	xx	GEAR DRIVE	1	
4-	xx	GEAR DRIVEN	1	
5-	5242504-57	FLANGE MOUNTING	1	
6-	5242504-45	COVER	1	
7-	5242504-58	PLATE SIDE	2	
8-	x	SEAL PLATE	2	
9-	x	BACK UP	2	
10-	x	SEAL OIL	1	
11-	x	RING SNAP	1	
12-	5800121-54	HEX BOLT WITH FLANGE	4	AK/AKE
12-	5800558-46	HEX BOLT WITH FLANGE	4	20,25RK, 35TK/TKE
12-	5800121-57	HEX BOLT WITH FLANGE	4	20-30TK/TKE
13-	5800540-28	PIN DOWEL	4	
14-	5800121-59	KIT REPAIR	1	INCL.x
15-	5242504-53	(NA)KIT B	1	INCL.xx AK
15-	5242821-37	KIT B	1	INCL.xx AK/AKE
15-	5242504-54	(NA)KIT B	1	INCL.xx 20,25RK, 35TK
15-	5242821-38	KIT B	1	INCL.xx 20,25RK, 35TK/TKE
15-	5242504-55	(NA)KIT B	1	INCL.xx 20-30TK
15-	5242821-39	KIT B	1	INCL.xx 20-30TK/TKE
		== END ==		

**GEAR PUMP ASSY INNER PARTS (26.5/28.2/31.5CC) FOR GDP**

26.5/28.2/31.5cc FOR DSL



Item	Description	Remarks
14	KIT REPAIR	INCL. 8, 9, 10, 11
15	KIT B	INCL. 3, 4



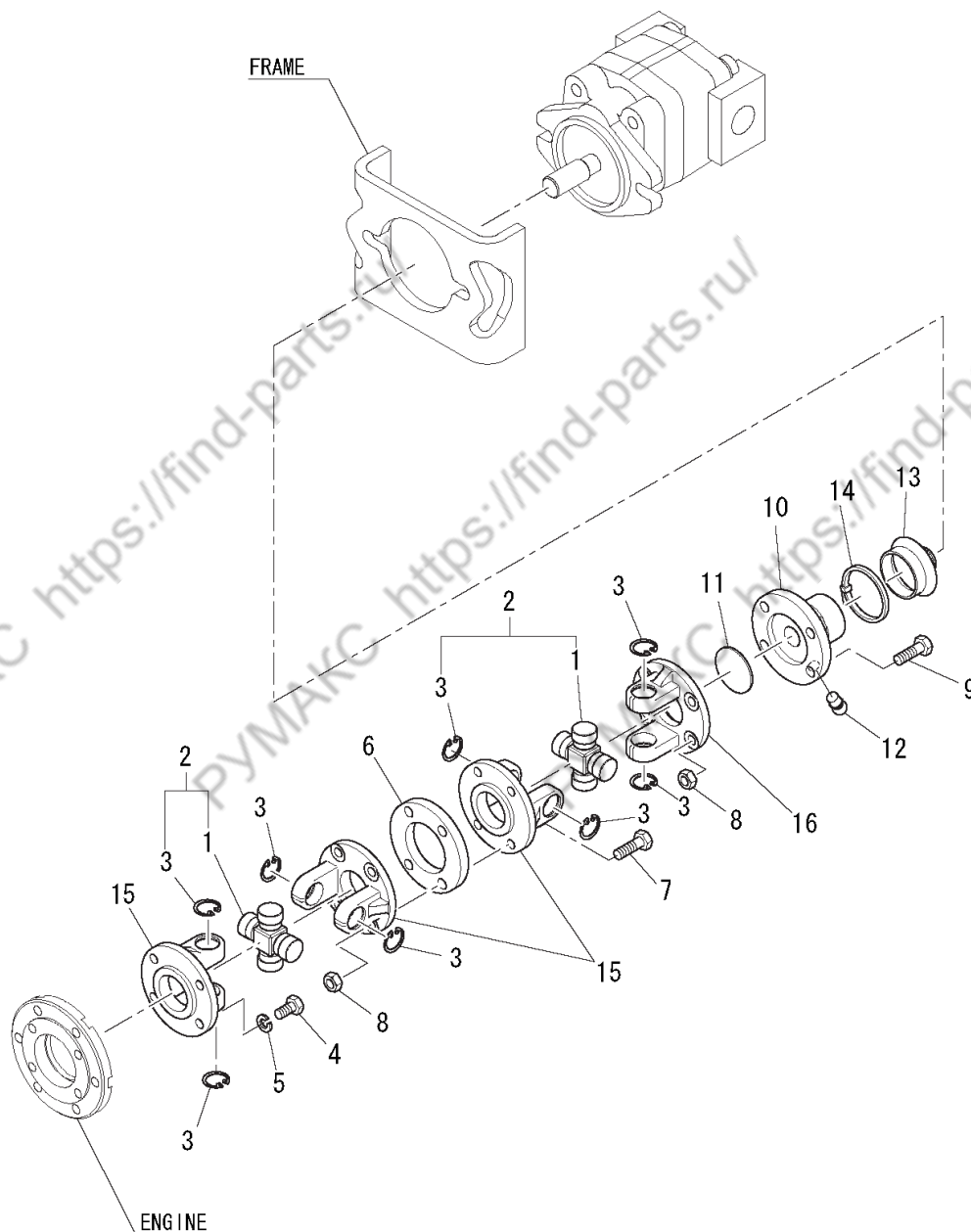
## GEAR PUMP ASSY INNER PARTS (26.5/28.2/31.5CC) FOR GDP

Item	PartNo.	Description	Q'ty	Remarks
1-	5800655-08	GEAR PUMP ASSY 26.5CC	1	INCL.2-13 AK
1-	5800655-09	GEAR PUMP ASSY 28.2CC	1	INCL.2-13 20,25RK, 35TK
1-	5800655-10	GEAR PUMP ASSY 31.5CC	1	INCL.2-13 20-30TK
2-	NSS	GEAR PLATE	1	
3-	xx	GEAR DRIVE	1	
4-	xx	GEAR DRIVEN	1	
5-	5242504-57	FLANGE MOUNTING	1	
6-	5242504-35	COVER	1	
7-	5242504-58	PLATE SIDE	2	
8-	x	SEAL PLATE	2	
9-	x	BACK UP	2	
10-	x	SEAL OIL	1	
11-	x	RING SNAP	1	
12-	5800540-34	HEX BOLT WITH FLANGE	4	AK/20,25RK/35TK
12-	5800121-54	HEX BOLT WITH FLANGE	4	20-30TK
13-	5800540-28	PIN DOWEL	4	
14-	5800121-59	KIT REPAIR	1	INCL.x
15-	5242504-47	KIT B	1	INCL.xx AK
15-	5242504-51	KIT B	1	INCL.xx 20,25RK, 35TK
15-	5242504-52	KIT B	1	INCL.xx 20-30TK

== END ==

# PUMP DRIVE FOR GP/GTP/GLP

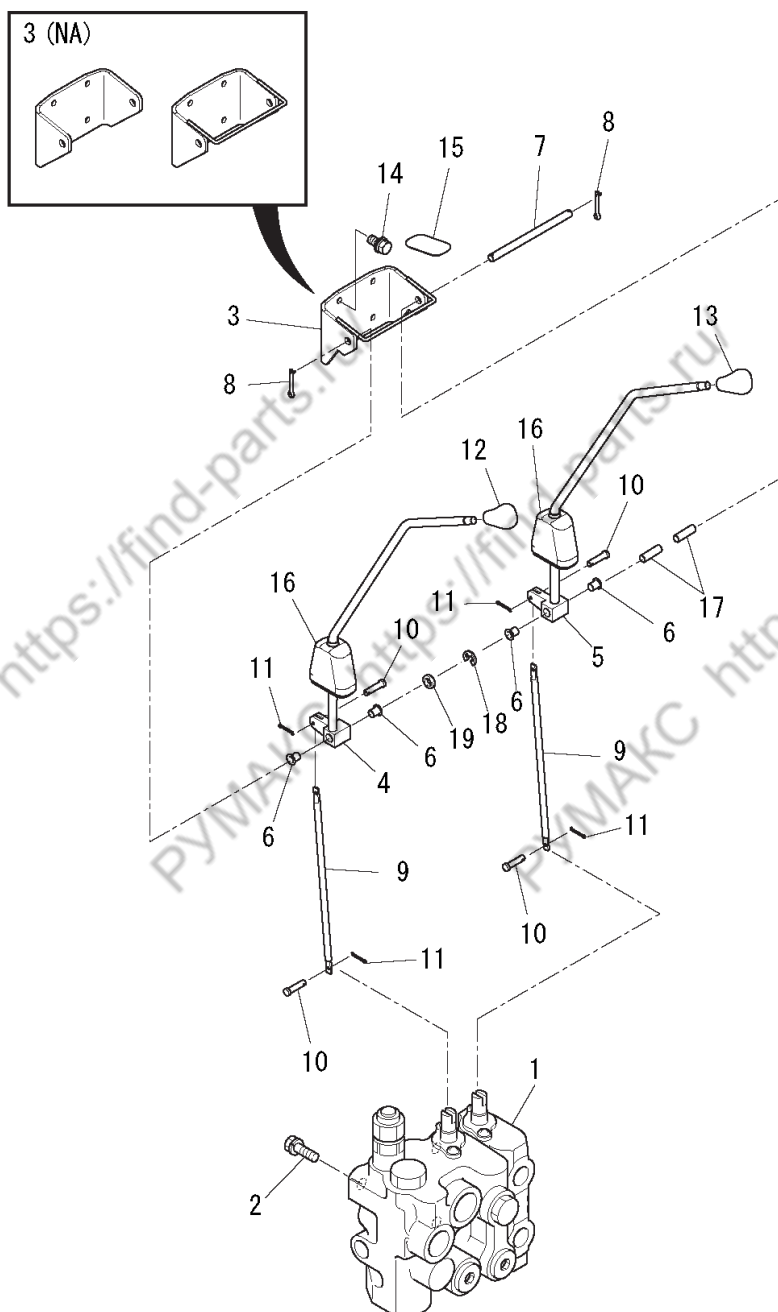
FOR GAS/LPG



## PUMP DRIVE FOR GP/GTP/GLP

Item	PartNo.	Description	Q'ty	Remarks
1-	NSS	JOINT CROSS	2	
2-	9147844-03	JOINT SUB ASSY	2	INCL.1(1 PIECE),3(T=0.95 4 PIECES)
3-	9174383-01	SNAP RING T=0.95	8*	
3-	9174383-02	SNAP RING T=1.00	AR	
4-	9309079-04	BOLT	4	
5-	9102291-01	SPRING WASHER	4	
6-	9124333-00	COUPLING UNIV JOINT	1	
7-	4490011-34	BOLT	4	
8-	4490150-14	NUT	8	
9-	4490010-14	BOLT	4	
10-	9113354-00	COUPLING	1	
11-	9591009-11	EXPANSION PLUG	1	
12-	9537019-05	FITTING	1	
13-	9285813-00	BELLOWS	1	
14-	9032591-03	TIE LAP L=185~200	1	
15-	9007153-00	YOKE	3	
16-	9022993-00	YOKE	1	
	==	END	==	

CONTROL VALVE & LEVER 2-SPOOL



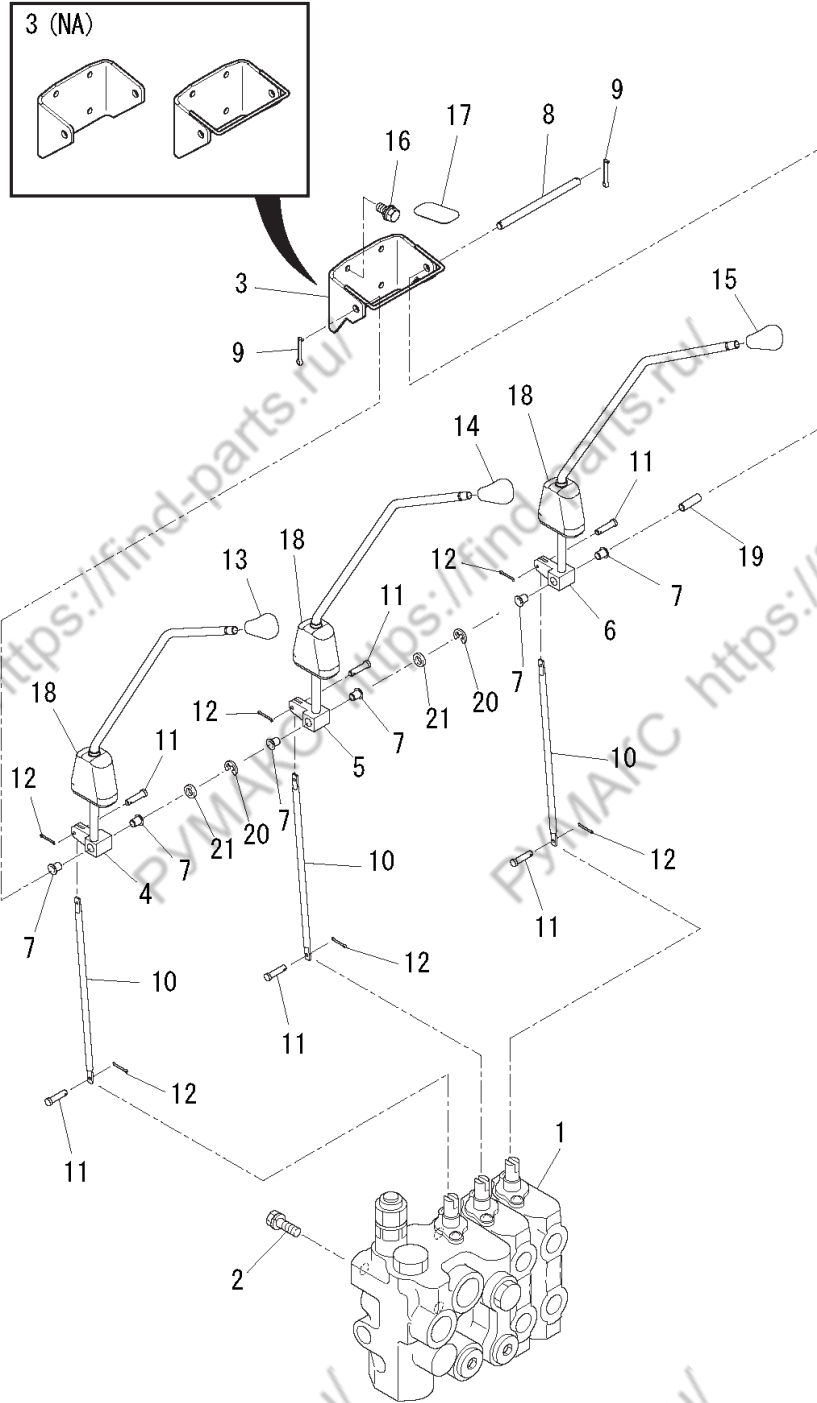
Service Bulletin	Change Item	Interchangeability
B-115793B	Item 3	Refer to Service Bulletin

**CONTROL VALVE & LEVER 2-SPOOL**

Item	PartNo.	Description	Q'ty	Remarks
1-	5242456-06	CONTROL VALVE ASSY 1T	1	W/O INTER LOCK AK/AKE
1-	5242456-09	CONTROL VALVE ASSY 2T	1	W/O INTER LOCK 20,25RK/TK/TKE
1-	5242456-12	CONTROL VALVE ASSY 3T	1	W/O INTER LOCK 30TK/TKE
1-	5242456-15	CONTROL VALVE ASSY 3.5T	1	W/O INTER LOCK 35TK/TKE
2-	5242316-23	BOLT	3	
3-	5242507-09	(NA)BRACKET, LEVER	1	
3-	5242570-94	(NA)BRACKET, LEVER	1	
3-	5243020-87	BRACKET, LEVER	1	
4-	5242499-22	(NA)LEVER LIFT	1	
4-	5242605-71	LEVER LIFT	1	
5-	5242499-23	(NA)LEVER TILT	1	
5-	5242605-72	LEVER TILT	1	
6-	9126303-03	BUSH	4	
7-	5242156-77	PIN CONTROL LEVER L=176	1	
8-	9099594-05	PIN, COTTER	2	
9-	5242507-37	ROD LINK	2	
10-	9203303-00	PIN	4	
11-	9099594-01	PIN, COTTER	4	
12-	9201076-01	KNOB CONTROL LEVER	1	
13-	9201076-02	KNOB CONTROL LEVER	1	
14-	5242133-83	SEMS BOLT	4	
15-	9312794-00	CAP CONTROL LEVER	3	
16-	5242484-20	BOOT LEVER	2	
17-	9108533-00	SPACER	2	
18-	9099704-03	RETAINING RING	AR	
19-	4490210-10	WASHER	AR	

== END ==

CONTROL VALVE & LEVER 3-SPOOL



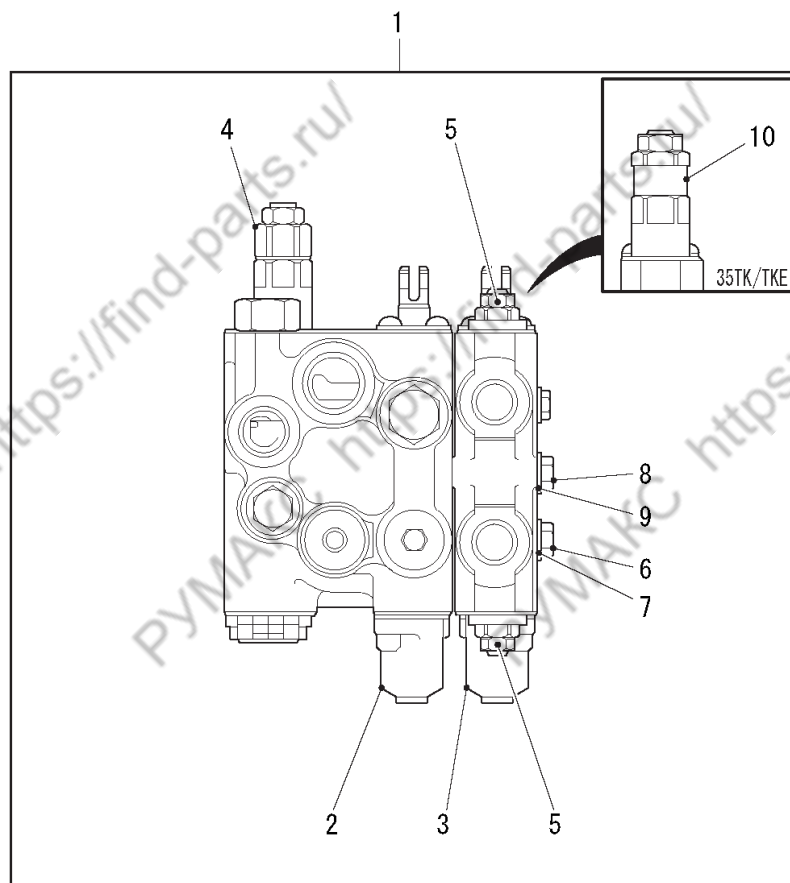
Service Bulletin	Change Item	Interchangeability
B-115793B	Item 3	Refer to Service Bulletin

**CONTROL VALVE & LEVER 3-SPOOL**

Item	PartNo.	Description	Q'ty	Remarks
1-	5242456-07	CONTROL VALVE ASSY 1T	1	W/O INTER LOCK AK/AKE
1-	5242456-10	CONTROL VALVE ASSY 2T	1	W/O INTER LOCK 20,25RK/TK/TKE
1-	5242456-13	CONTROL VALVE ASSY 3T	1	W/O INTER LOCK 30TK/TKE
1-	5242456-16	CONTROL VALVE ASSY 3.5T	1	W/O INTER LOCK 35TK/TKE
2-	5242316-23	BOLT	3	
3-	5242507-09	(NA)BRACKET, LEVER	1	
3-	5242570-94	(NA)BRACKET, LEVER	1	
3-	5243020-87	BRACKET, LEVER	1	
4-	5242499-22	(NA)LEVER LIFT	1	
4-	5242605-71	LEVER LIFT	1	
5-	5242499-23	(NA)LEVER TILT	1	
5-	5242605-72	LEVER TILT	1	
6-	5242499-24	(NA)LEVER 3RD	1	
6-	5242605-73	LEVER 3RD	1	
7-	9126303-03	BUSH	6	
8-	5242156-77	PIN CONTROL LEVER L=176	1	
9-	9099594-05	PIN, COTTER	2	
10-	5242507-37	ROD LINK	3	
11-	9203303-00	PIN	6	
12-	9099594-01	PIN, COTTER	6	
13-	9201076-01	KNOB CONTROL LEVER	1	
14-	9201076-02	KNOB CONTROL LEVER	1	
15-	9201076-04	KNOB CONTROL LEVER FOR ATT	1	
16-	5242133-83	SEMS BOLT	4	
17-	9312794-00	CAP CONTROL LEVER	2	
18-	5242484-20	BOOT LEVER	3	
19-	9108533-00	SPACER	1	
20-	9099704-03	RETAINING RING	AR	
21-	4490210-10	WASHER	AR	
	==	END	==	

# CONTROL VALVE ASSY W/O INTER LOCK 2-SPOOL

w/o INTER LOCK





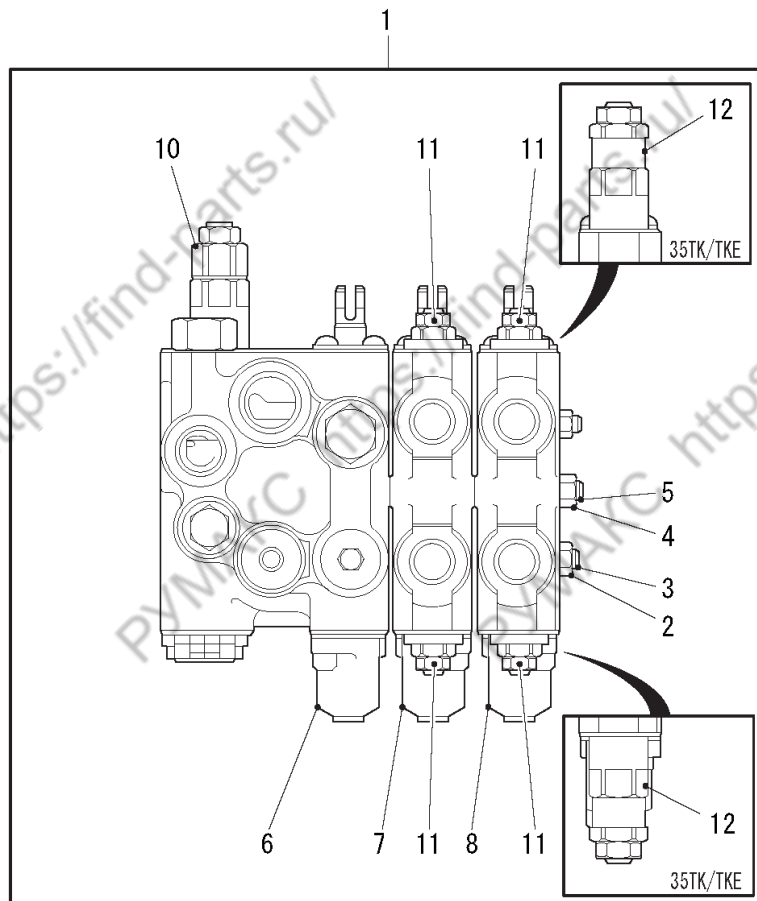
**CONTROL VALVE ASSY W/O INTER LOCK 2-SPOOL**

Item	PartNo.	Description	Q'ty	Remarks
1-	5242456-06	CONTROL VALVE ASSY 1T	1	INCL.2-9 AK/AKE
1-	5242456-09	CONTROL VALVE ASSY 2T	1	INCL.2-9 20,25RK/TK/TKE
1-	5242456-12	CONTROL VALVE ASSY 3T	1	INCL.2-9 30TK/TKE
1-	5242456-15	CONTROL VALVE ASSY 3.5T	1	INCL.2-10 35TK/TKE
2-	5242643-12	SPOOL SECTION ASSY LIFT	1	AK/AKE
2-	5242643-09	SPOOL SECTION ASSY LIFT	1	20,25RK/TK/TKE
2-	5242643-13	SPOOL SECTION ASSY LIFT	1	30,35TK/TKE
3-	5242643-20	SPOOL SECTION ASSY TILT	1	AK/AKE
3-	5242643-16	SPOOL SECTION ASSY TILT	1	20,25RK/TK/TKE
3-	5242643-22	SPOOL SECTION ASSY TILT	1	30,35TK/TKE
4-	5242636-37	RELIFE VALVE ASSY	1	
5-	9024848-03	SHUT OFF VALVE ASSY	2	AK/AKE, 20-30RK/TK/TKE
5-	9024848-03	SHUT OFF VALVE ASSY	1	35TK/TKE
6-	5242642-77	BOLT	2	
7-	5242636-34	WASHER	2	
8-	5242642-78	BOLT	1	
9-	5242636-35	WASHER	1	
10-	5242636-38	RELIFE VALVE ASSY	1	35TK/TKE

== END ==

# CONTROL VALVE ASSY W/O INTER LOCK 3-SPOOL

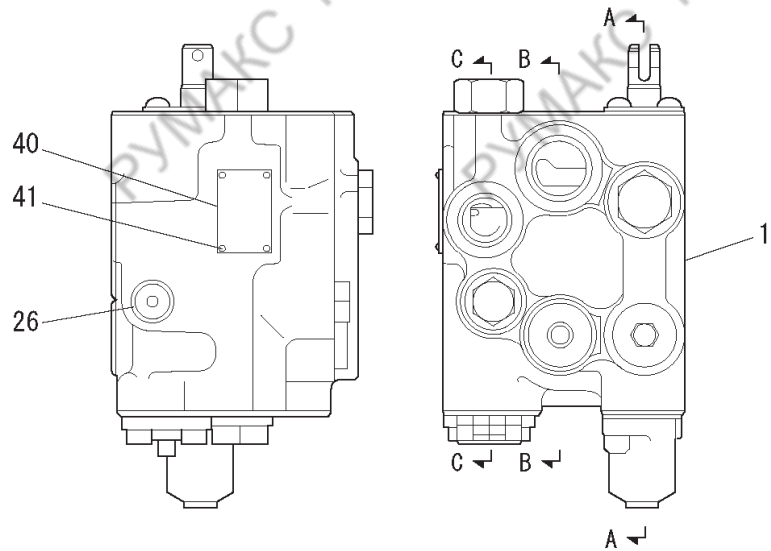
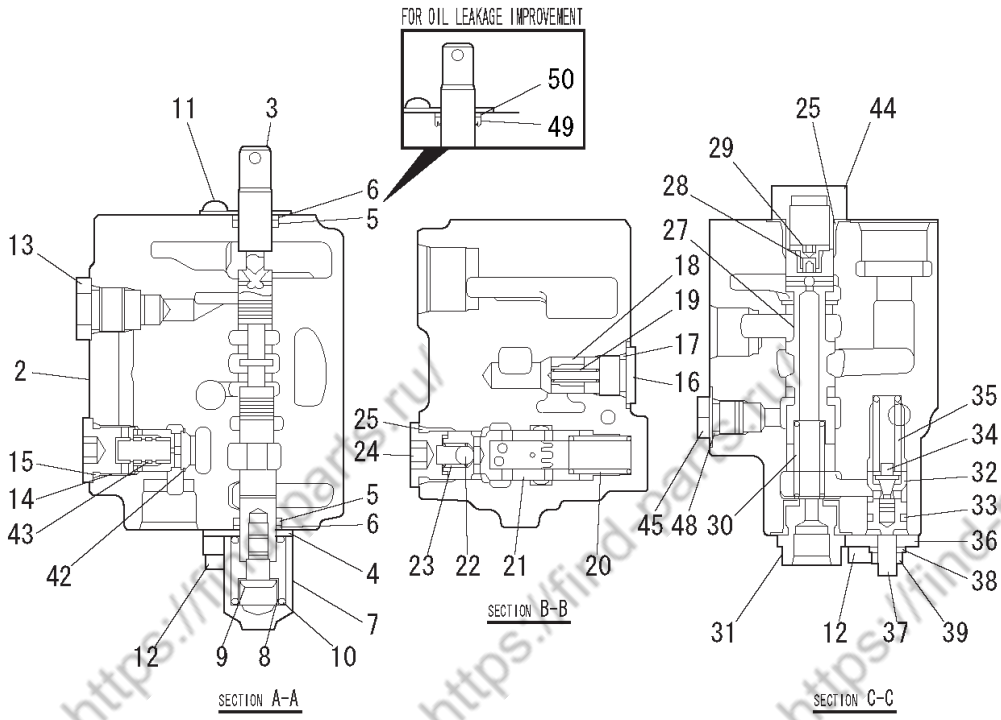
w/o INTER LOCK



**CONTROL VALVE ASSY W/O INTER LOCK 3-SPOOL**

Item	PartNo.	Description	Q'ty	Remarks
1-	5242456-07	CONTROL VALVE ASSY 1T	1	INCL.2-11 W/O INTER LOCK AK/AKE
1-	5242456-10	CONTROL VALVE ASSY 2T	1	INCL.2-11 W/O INTER LOCK 20,25RK/TK/TKE
1-	5242456-13	CONTROL VALVE ASSY 3T	1	INCL.2-11 W/O INTER LOCK 30TK/TKE
1-	5242456-16	CONTROL VALVE ASSY 3.5T	1	INCL.2-12 W/O INTER LOCK 35TK/TKE
2-	9024738-01	NUT	2	
3-	5242642-73	TIE ROD	2	
4-	9024738-03	NUT	1	
5-	5242642-74	TIE ROD	1	
6-	5242643-12	SPOOL SECTION ASSY LIFT	1	AK/AKE
6-	5242643-09	SPOOL SECTION ASSY LIFT	1	20,25RK/TK/TKE
6-	5242643-13	SPOOL SECTION ASSY LIFT	1	30,35TK/TKE
7-	5242643-19	SPOOL SECTION ASSY TILT	1	AK/AKE
7-	5242643-14	SPOOL SECTION ASSY TILT	1	20,25RK/TK/TKE
7-	5242643-21	SPOOL SECTION ASSY TILT	1	30,35TK/TKE
8-	5242643-15	SPOOL SECTION ASSY ATT	1	
10-	5242636-37	RELIFE VALVE ASSY	1	
11-	9024848-03	SHUT OFF VALVE ASSY	4	AK/AKE, 20-30RK/TK/TKE
11-	9024848-03	SHUT OFF VALVE ASSY	1	35TK/TKE
12-	5242636-38	RELIFE VALVE ASSY	3	35TK/TKE
== END ==				

**SPOOL SECTION ASSY LIFT W/O INTER LOCK**



Item	Description	Remarks
46	SEAL KIT	INCL. 5, 6, 15, 17, 25, 48
47	RELIEF KIT	INCL. 32, 33, 34
51	LIP SEAL KIT	INCL. 49, 50

Service Bulletin	Change Item	Interchangeability
B-116705	Item 45, 46	Refer to Service Bulletin

## SPOOL SECTION ASSY LIFT W/O INTER LOCK

Item	PartNo.	Description	Q'ty	Remarks
1-	5242643-12	SPOOL SECTION ASSY LIFT	1	INCL.2-45 AK/AKE
1-	5242643-09	SPOOL SECTION ASSY LIFT	1	INCL.2-45 20,25RK/TK/TKE
1-	5242643-13	SPOOL SECTION ASSY LIFT	1	INCL.2-45 30,35TK/TKE
2-	NSS	VALVE HOUSING	1	
3-	NSS	SPOOL	1	
4-	9024818-04	SEAL PLATE	2	
5-	x	O-RING	2	
6-	x	WAIPER	2	
7-	9024818-07	CAP	1	
8-	9024818-08	SPRING SEAT	2	
9-	9024818-09	CAP SCREW	1	
10-	5242646-64	SPRING	1	
11-	9024818-14	SCREW MACHINE	2	
12-	9024818-15	SOCKET HEAD BOLT	4	
13-	9024818-16	PLUG ASSY	1	
14-	5242646-68	PLUG	1	
15-	x	O-RING	1	
16-	5242646-70	PLUG	1	
17-	x	O-RING	1	
18-	5242646-72	POPPET	1	
19-	5242646-73	SPRING	1	
20-	5242646-74	SPRING	1	
21-	NSS	SPOOL	1	AK/AKE
21-	NSS	SPOOL	1	20,25RK/TK/TKE
21-	NSS	SPOOL	1	30,35TK/TKE
22-	9002148-15	STEEL BOOL	1	
23-	5242646-79	SPRING	1	
24-	5242646-81	PLUG	1	
25-	x	O-RING	2	
26-	5242646-83	PLUG ASSY	1	
27-	NSS	SPOOL	1	AK/AKE
27-	NSS	SPOOL	1	RK/TK/TKE

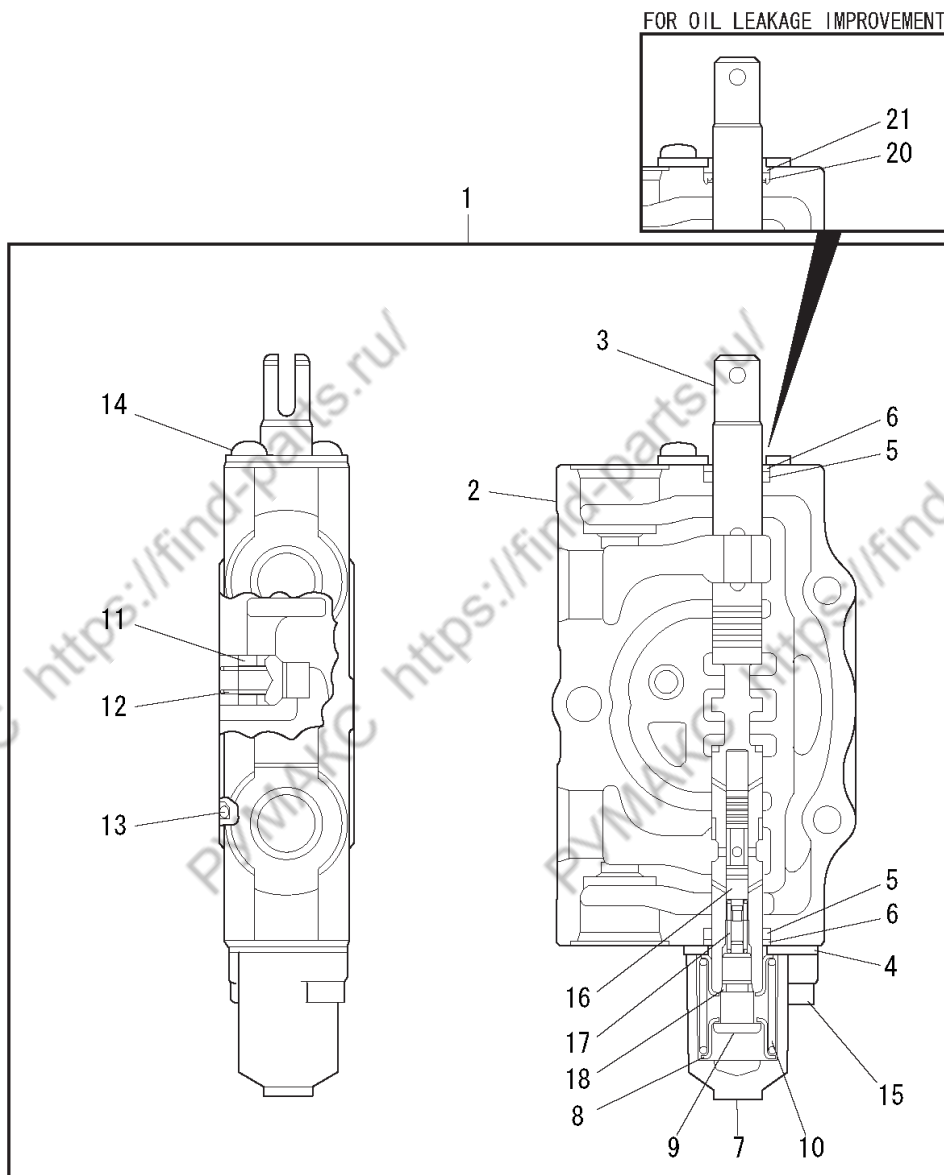
## SPOOL SECTION ASSY LIFT W/O INTER LOCK

Item	PartNo.	Description	Q'ty	Remarks
28-	5242646-86	CHECK VALVE	1	
29-	5242646-87	PLUG	1	
30-	5059645-29	SPRING	1	
31-	5242646-89	PLUG ASSY	1	
32-	xx	HOUSING	1	
33-	xx	O-RING	1	
34-	xx	POPPET	1	
35-	5242646-94	SPRING	1	
36-	5242646-95	PLATE	1	
37-	9012508-68	SET SCREW	1	
38-	5242636-34	WASHER	1	
39-	5242646-98	NUT	1	
40-	NSS	NAME PLATE	1	
41-	NSS	DRIVE SCREW	2	
42-	5242647-01	POPPET	1	
43-	5242647-02	SPRING	1	
44-	5242647-10	PLUG	1	
45-	5242647-11	(NA)PLUG ASSY	1	
45-	5243144-99	PLUG ASSY	1	
46-	5242480-34	(NA)SEAL KIT	1	INCL.x
46-	5243182-80	SEAL KIT	1	INCL.x
47-	5242636-33	RELIEF KIT	1	INCL.xx
48-	x	O-RING	1	
49-	y	SEAL	2	FOR OIL LEAKAGE IMPROVEMENT
50-	y	WAIPER	2	FOR OIL LEAKAGE IMPROVEMENT
51-	5500249-42	LIP SEAL KIT	1	INCL.y FOR OIL LEAKAGE IMPROVEMENT

== END ==

SPOOL SECTION ASSY TILT

TILT



Item	Description	Remarks
19	SEAL KIT	INCL. 5, 6, 13, 18
22	LIP SEAL KIT	INCL. 20, 21

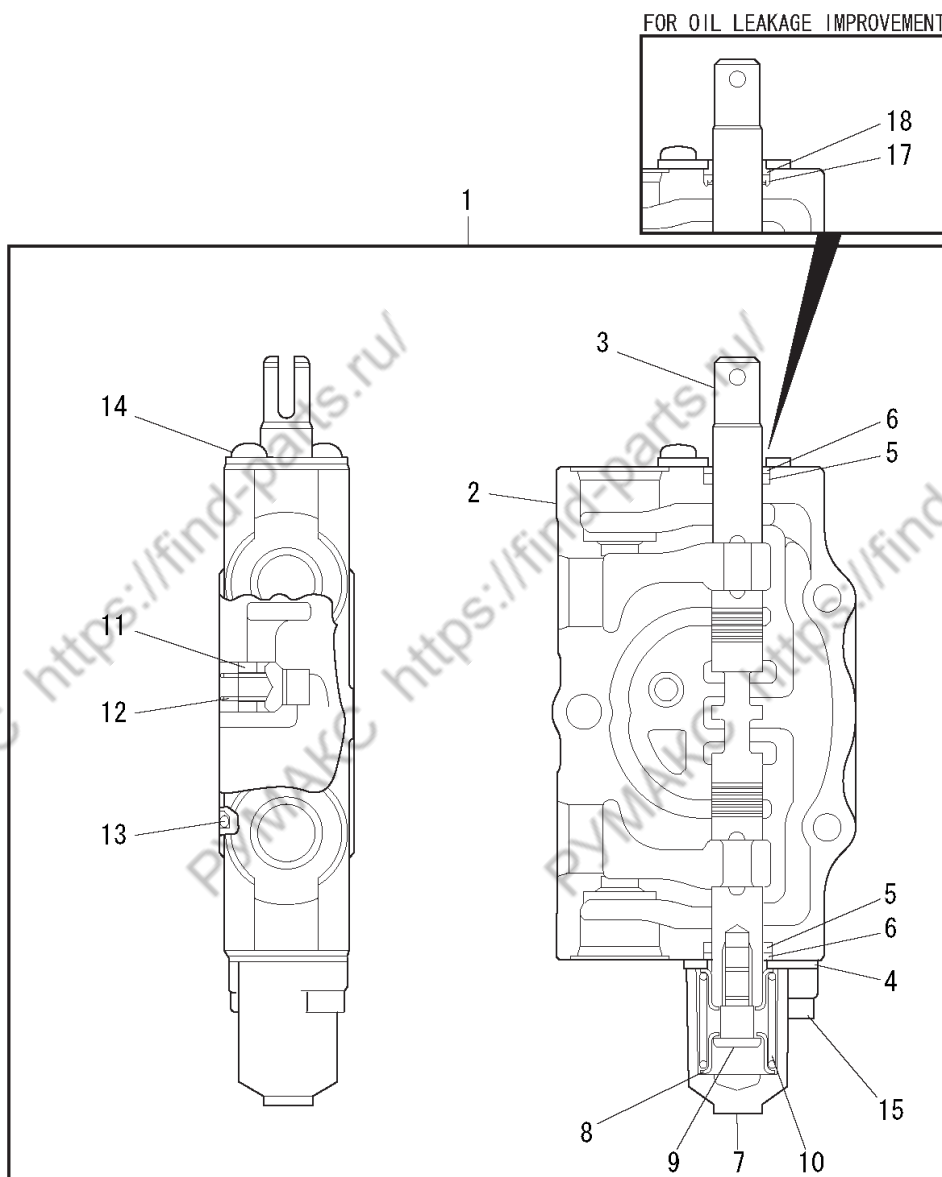
## SPOOL SECTION ASSY TILT

Item	PartNo.	Description	Q'ty	Remarks
1-	5242643-20	SPOOL SECTION ASSY TILT	1	INCL.2-18 2-SPOOL AK/AKE
1-	5242643-16	SPOOL SECTION ASSY TILT	1	INCL.2-18 2-SPOOL 20,25RK/TK/TKE
1-	5242643-22	SPOOL SECTION ASSY TILT	1	INCL.2-18 2-SPOOL 30,35TK/TKE
1-	5242643-19	SPOOL SECTION ASSY TILT	1	INCL.2-18 3-SPOOL AK/AKE
1-	5242643-14	SPOOL SECTION ASSY TILT	1	INCL.2-18 3-SPOOL 20,25RK/TK/TKE
1-	5242643-21	SPOOL SECTION ASSY TILT	1	INCL.2-18 3-SPOOL 30,35TK/TKE
2-	NSS	VALVE HOUSING	1	2-SPOOL
2-	NSS	VALVE HOUSING	1	3-SPOOL
3-	NSS	SPOOL	1	AK/AKE
3-	NSS	SPOOL	1	20,25RK/TK/TKE
3-	NSS	SPOOL	1	30,35TK/TKE
4-	9024818-04	SEAL PLATE	2	
5-	x	O-RING	2	
6-	x	WAIPER	2	
7-	9024818-07	CAP	1	
8-	9024818-08	SPRING SEAT	2	
9-	5242647-18	CAP SCREW	1	
10-	5242646-64	SPRING	1	
11-	9024818-11	POPPET	1	
12-	9024818-12	SPRING	1	
13-	x	O-RING	1	
14-	9024818-14	SCREW MACHINE	2	
15-	9024818-15	SOCKET HEAD BOLT	2	
16-	NSS	VALVE	1	
17-	5242647-23	SPRING	1	
18-	x	O-RING	1	
19-	9393383-12	SEAL KIT	1	INCL.x
20-	y	SEAL	2	FOR OIL LEAKAGE IMPROVEMENT
21-	y	WAIPER	2	FOR OIL LEAKAGE IMPROVEMENT
22-	5500249-42	LIP SEAL KIT	1	INCL.y FOR OIL LEAKAGE IMPROVEMENT
		== END ==		



SPOOL SECTION ASSY ATT

ATT



Item	Description	Remarks
16	SEAL KIT	INCL. 5, 6, 13
19	LIP SEAL KIT	INCL. 17, 18

Service Bulletin	Change Item	Interchangeability
B-116705	Item 16	Refer to Service Bulletin

## SPOOL SECTION ASSY ATT

Item	PartNo.	Description	Q'ty	Remarks
1-	5242643-15	SPOOL SECTION ASSY ATT	1	INCL.2-15
2-	NSS	VALVE HOUSING	1	
3-	NSS	SPOOL	1	
4-	9024818-04	SEAL PLATE	2	
5-	x	O-RING	2	
6-	x	WAIPER	2	
7-	9024818-07	CAP	1	
8-	9024818-08	SPRING SEAT	2	
9-	9024818-09	CAP SCREW	1	
10-	5242646-64	SPRING	1	
11-	9024818-11	POPPET	1	
12-	9024818-12	SPRING	1	
13-	x	O-RING	1	
14-	9024818-14	SCREW MACHINE	2	
15-	9024818-15	SOCKET HEAD BOLT	2	
16-	9393383-12	(NA)SEAL KIT	1	INCL.x
16-	9393383-11	SEAL KIT	1	INCL.x
17-	y	SEAL	2	FOR OIL LEAKAGE IMPROVEMENT
18-	y	WAIPER	2	FOR OIL LEAKAGE IMPROVEMENT
19-	5500249-42	LIP SEAL KIT	1	INCL.y FOR OIL LEAKAGE IMPROVEMENT

== END ==

## 6.00 Electrical System

ELECTRICAL SYSTEM	.....	6.00- 3
FUSE BOX ASSY INNER PARTS	.....	6.00- 5
RELAY BOX ASSY INNER PARTS	.....	6.00- 7
V-ECU W/O SPEED LIMITER	.....	6.00- 9
LIGHTS GROUP	.....	6.00- 11
LAMP ASSY INNER PARTS	.....	6.00- 13
LED REVOLVING WARNING LIGHT FOR AUS	.....	6.00- 15
BACK BUZZER FOR ASIA/AUS/KOREA	.....	6.00- 17
BATTERY GROUP	.....	6.00- 19
WIRE HARNESS FOR GP-AK/RK/TK	.....	6.00- 21
WIRE HARNESS FOR GP-AKE/TKE	.....	6.00- 23
WIRE HARNESS FOR GTP/GLP-AK/RK/TK	.....	6.00- 25
WIRE HARNESS FOR GLP-TKE	.....	6.00- 27
WIRE HARNESS FOR GDP	.....	6.00- 29
DISPLAY ASSY	.....	6.00- 31
SPEED LIMITER FOR AKE/TKE	.....	6.00- 33
DISCONNECT SW. TO 2010.10 FOR EUR GLP-RK/TK	.....	6.00- 35

6.00 Electrical System

**6.00**

DISCONNECT SW. TO 2010.10 FOR EUR GDP .....	6.00- 37
BATTERY DISCONNECT DEVICE FROM 2010.11 FOR EUR .....	6.00- 39

PYMAKC <https://find-parts.ru/>

PYMAKC <https://find-parts.ru/>

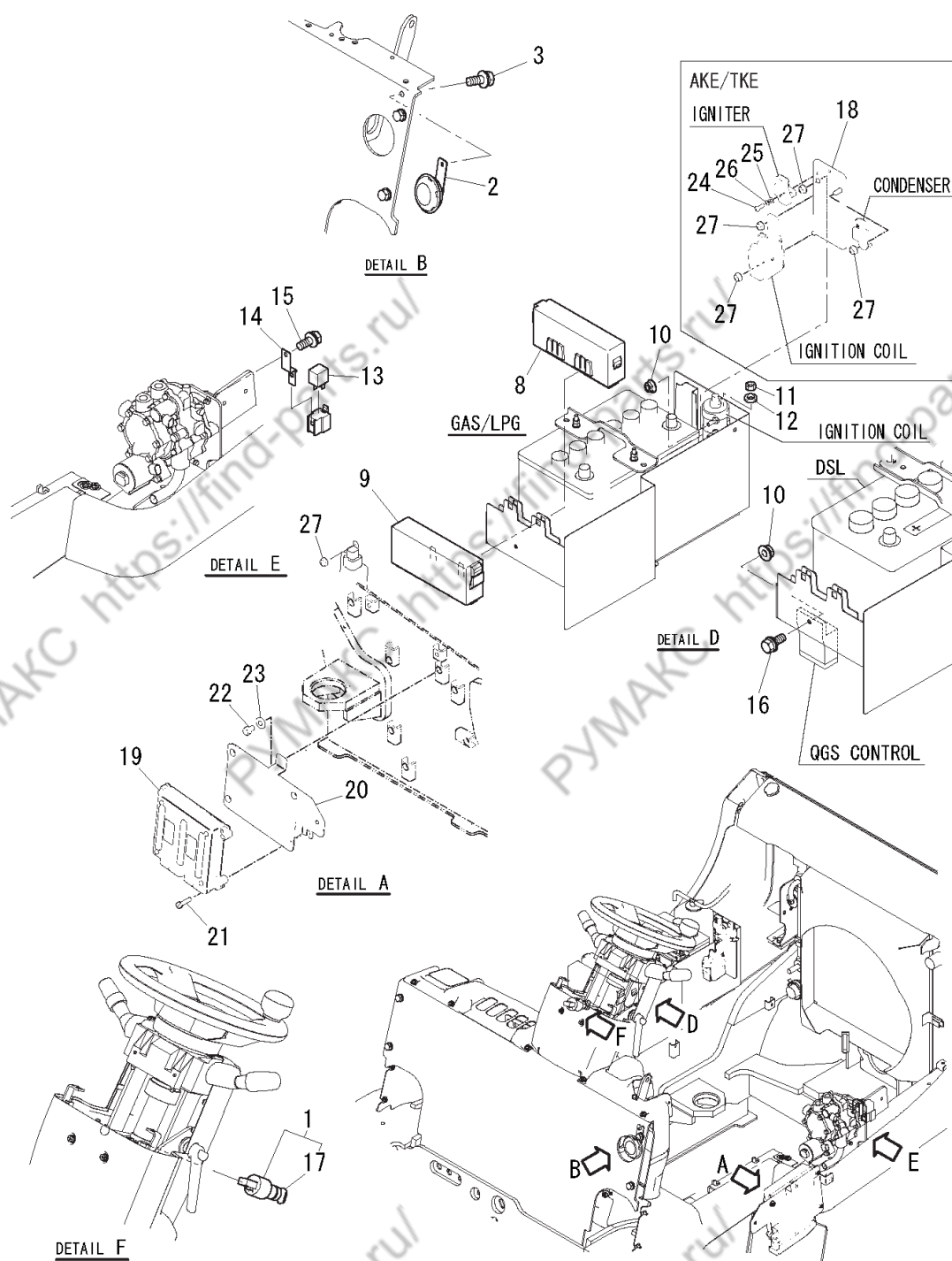
PYMAKC <https://find-parts.ru/>

<https://find-parts.ru/>

<https://find-parts.ru/>

<https://find-parts.ru/>

ELECTRICAL SYSTEM



Service Bulletin	Change Item	Interchangeability
B-113969	Item 2	Refer to Service Bulletin
B-142168	Item 19	Refer to Service Bulletin

**ELECTRICAL SYSTEM**

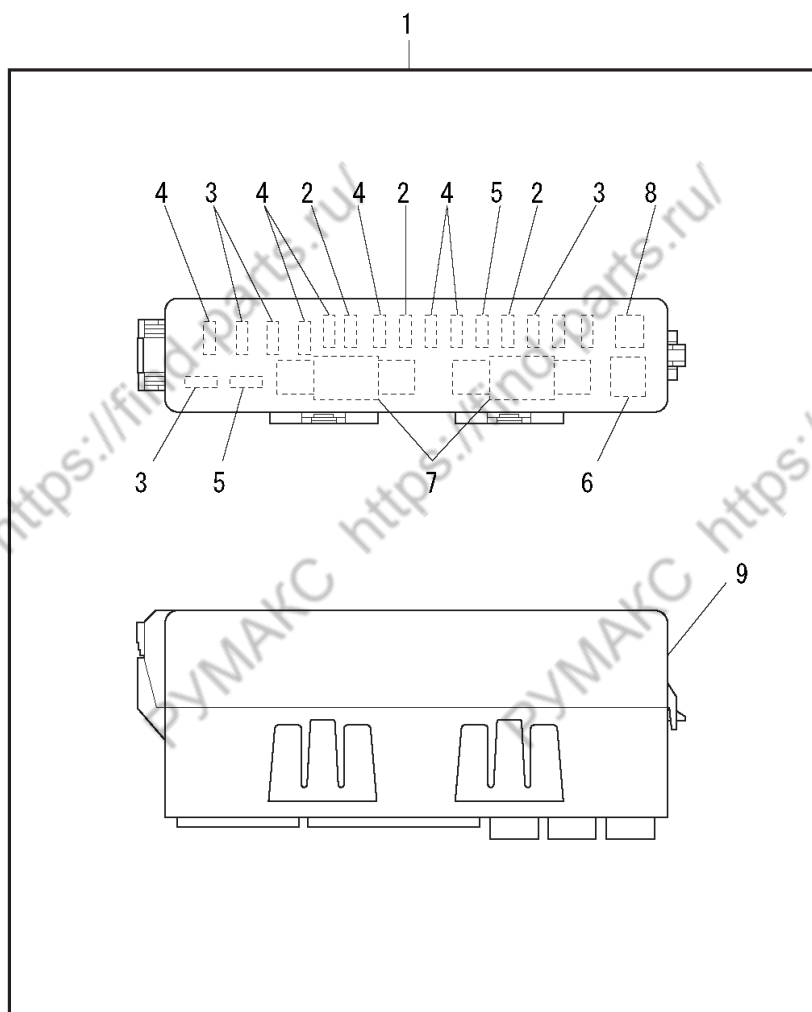
Item	PartNo.	Description	Q'ty	Remarks
1-	9304554-01	SWITCH IGNITION	1	INCL.17
2-	5242179-02	(NA)HORN ASSY	1	
2-	5242742-47	HORN ASSY	1	
3-	5242133-71	SEMS BOLT	1	
8-	5242038-61	FUSE BOX ASSY	1	
9-	5242038-62	RELAY BOX ASSY	1	
10-	5242133-40	FLANGE NUT	2	GP/GPL/GTP
10-	5242133-40	FLANGE NUT	1	GDP
11-	9371009-04	NUT	1	
12-	4490220-21	LOCKWASHER	1	
13-	9287244-01	RELAY, CB	1	GTP/GLP
14-	9355053-00	BRACKET, RELAY	1	GTP/GLP
15-	5242133-83	SEMS BOLT	1	GTP/GLP
16-	5242133-74	SEMS BOLT	1	GDP
17-	9383323-01	KEY	2	
18-	5243021-51	BRACKET, IGNITION COIL	1	AKE/TKE
19-	5800927-20	(NA)ENGINE CONTROL MODULE GAS 1-2T	1	GP-AKE
19-	5820026-22	(NA)ENGINE CONTROL MODULE GAS 1-2T	1	GP-AKE
19-	5820081-39	ENGINE CONTROL MODULE GAS 1-2T	1	GP-AKE
19-	5800927-21	(NA)ENGINE CONTROL MODULE GAS 2-3.5T	1	GP-TKE
19-	5820026-23	(NA)ENGINE CONTROL MODULE GAS 2-3.5T	1	GP-TKE
19-	5820081-40	ENGINE CONTROL MODULE GAS 2-3.5T	1	GP-TKE
19-	5800927-22	(NA)ENGINE CONTROL MODULE LPG 1-2T	1	GLP-AKE
19-	5820081-41	ENGINE CONTROL MODULE LPG 1-2T	1	GLP-AKE
19-	5800927-23	(NA)ENGINE CONTROL MODULE LPG 2-3.5T	1	GLP-TKE
19-	5820081-42	ENGINE CONTROL MODULE LPG 2-3.5T	1	GLP-TKE
20-	5243234-37	BRACKET, CONTROLLER	1	AKE/TKE
21-	5242133-50	SEMS BOLT	4	AKE/TKE
22-	5242133-52	SEMS BOLT	3	AKE/TKE
23-	9043104-02	SPECIAL WASHER	3	AKE/TKE
24-	9311099-04	SCREW	2	AKE/TKE
25-	9400049-03	WASHER	2	AKE/TKE

**ELECTRICAL SYSTEM**

Item	PartNo.	Description	Q'ty	Remarks
26-	4490220-19	LOCKWASHER	2	AKE/TKE
27-	5242133-40	FLANGE NUT	5	AKE/TKE

== END ==

# FUSE BOX ASSY INNER PARTS



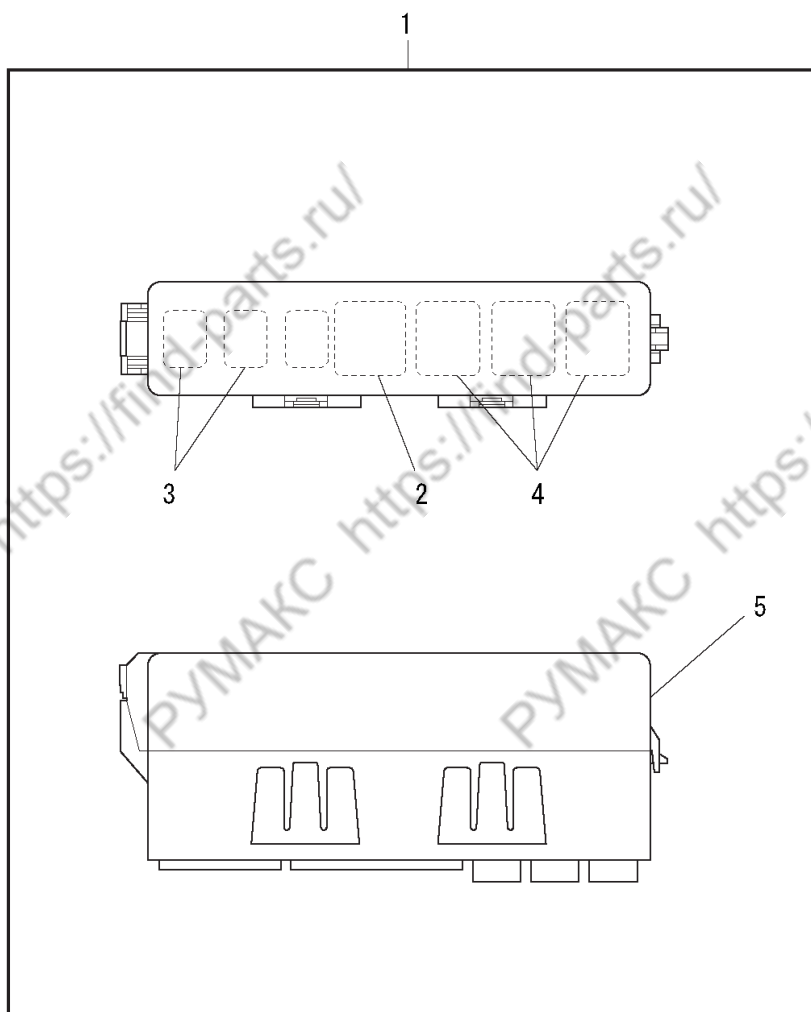


**FUSE BOX ASSY INNER PARTS**

Item	PartNo.	Description	Q'ty	Remarks
1-	5242038-61	FUSE BOX ASSY	1	INCL.2-9
2-	5800255-67	FUSE MINI 5A	3	
3-	5800255-69	FUSE MINI 10A	4	
4-	5800365-75	FUSE MINI 20A	6	
5-	5800430-31	FUSE MINI 25A	2	
6-	5242481-82	FUSE SLOW BLOW 60A	1	
7-	5242481-83	FUSE SLOW BLOW 100A	2	
8-	5242490-87	FUSE PULLER	1	
9-	5242490-88	FUSE CASE ASSY	1	W/LABEL & PACKING

== END ==

# RELAY BOX ASSY INNER PARTS

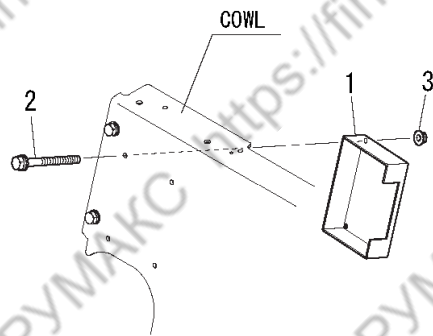


**RELAY BOX ASSY INNER PARTS**

Item	PartNo.	Description	Q'ty	Remarks
1-	5242038-62	RELAY BOX ASSY	1	INCL.2-5
2-	5242481-85	FLASHER UNIT ASSY	1	
3-	5242481-86	RELAY, CM	2	
4-	5242481-87	RELAY, CB	3	
5-	5242490-89	RELAY CASE ASSY	1	W/LABEL & PACKING

== END ==

V-ECU W/O SPEED LIMITER



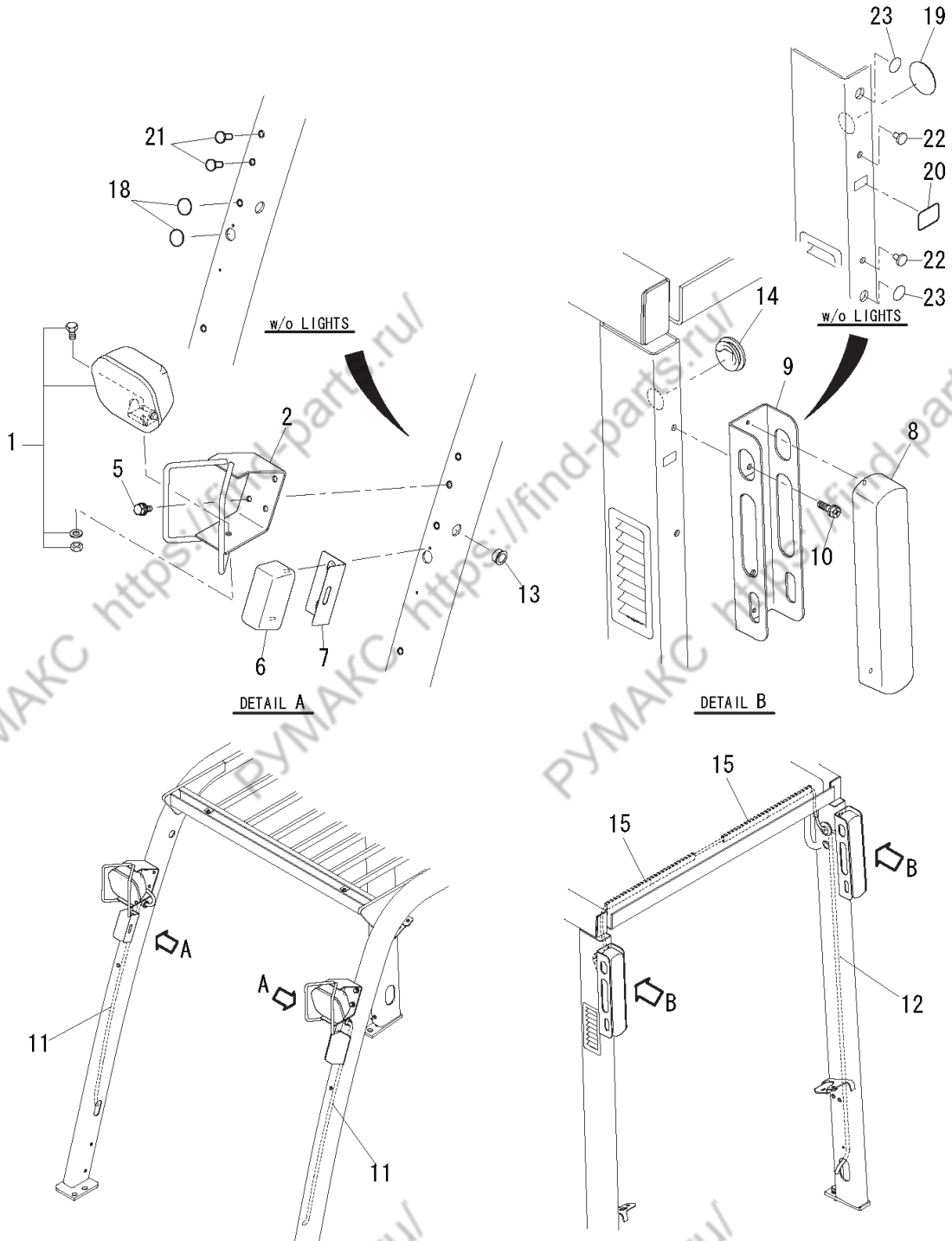
Service Bulletin	Change Item	Interchangeability
B-116693	Item 1	Refer to Service Bulletin
B-114883	Item 2, 3	Refer to Service Bulletin

**V-ECU W/O SPEED LIMITER**

Item	PartNo.	Description	Q'ty	Remarks
1-	5242481-68	(NA)V-ECU ASSY	1	
1-	5800885-84	(NA)V-ECU ASSY	1	
1-	5800916-83	V-ECU ASSY	1	
2-	5242138-17	SEMS BOLT	4	TO 2006.9
2-	5242138-17	SEMS BOLT	3	FROM 2006.10
3-	5242133-40	FLANGE NUT	4	TO 2006.9
3-	5242133-40	FLANGE NUT	3	FROM 2006.10

== END ==

LIGHTS GROUP



Service Bulletin	Change Item	Interchangeability
B-11838325	Item 18, 19	Refer to Service Bulletin

## LIGHTS GROUP

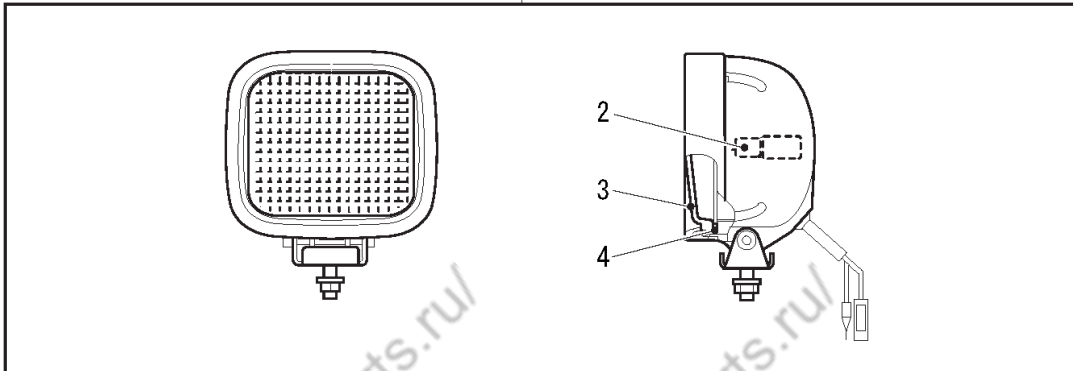
Item	PartNo.	Description	Q'ty	Remarks
1-	9249744-00	LAMP ASSY, HEAD	2	
2-	5242298-83	BRACKET, HEAD LAMP	2	
5-	5242133-84	SEMS BOLT	4	
6-	9247374-00	LAMP ASSY, TURN SIGNAL	2	
7-	9307123-00	COVER TURN SIGNAL LAMP	2	
8-	5242298-82	LAMP ASSY, REAR COMBI	2	
9-	5242542-81	GUARD REAR COMBI LAMP	2	
10-	5242133-48	SEMS BOLT	4	
11-	5800652-93	WIRE HARNESS, FRONT LIGHT	2	
12-	5800652-94	WIRE HARNESS, REAR LIGHT	1	
13-	9012631-03	SNAP BUSHING	2	
14-	5242479-41	CAP RUBBER	2	
15-	9348723-02	(NA)DUCT HARNESS	2	
15-	5242643-24	DUCT HARNESS	2	
18-	5042417-83	(NA)HOLE PLUG	4	W/O LIGHTS
18-	5500095-02	LABEL D=30	4	W/O LIGHTS
19-	9105431-03	(NA)CAP, RUBBER	2	W/O LIGHTS
19-	5500095-03	LABEL D=45	2	W/O LIGHTS
20-	5242507-40	LABEL SEAL	2	W/O LIGHTS
21-	5042417-82	HOLE PLUG	4	W/O LIGHTS
22-	5242507-65	CLIP	4	W/O LIGHTS
23-	NSS	LABEL SEAL	4	W/O LIGHTS
23-	5242529-71	LABEL SEAL 25 SET	1	W/O LIGHTS

== END ==

# LAMP ASSY INNER PARTS

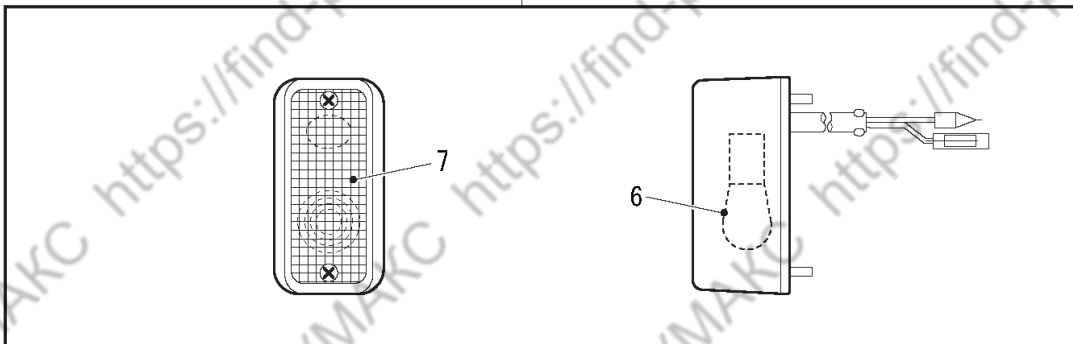
LAMP ASSY, HEAD

1



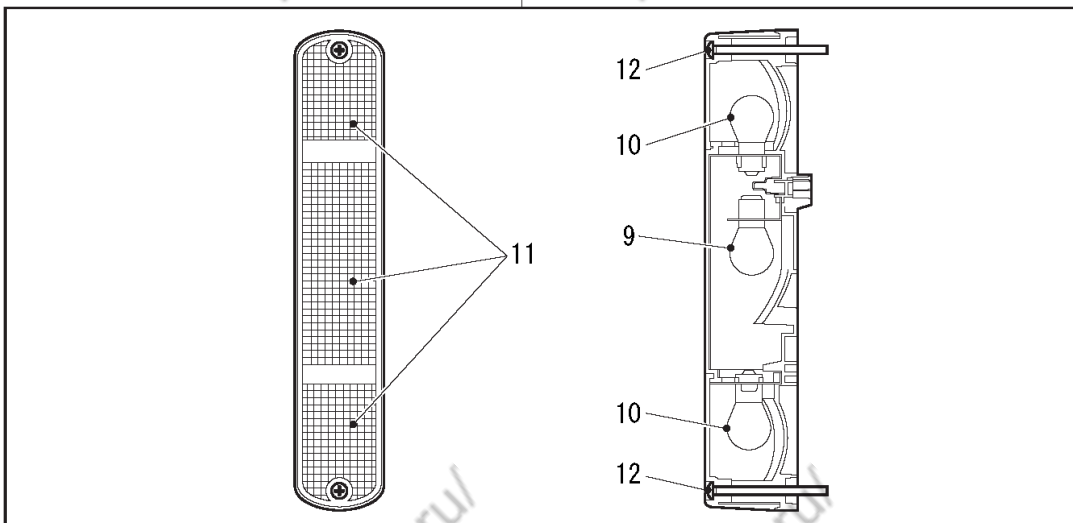
LAMP ASSY, TURN SIGNAL

5



LAMP ASSY, REAR COMBI.

8



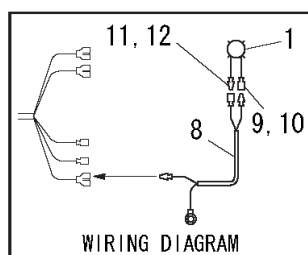
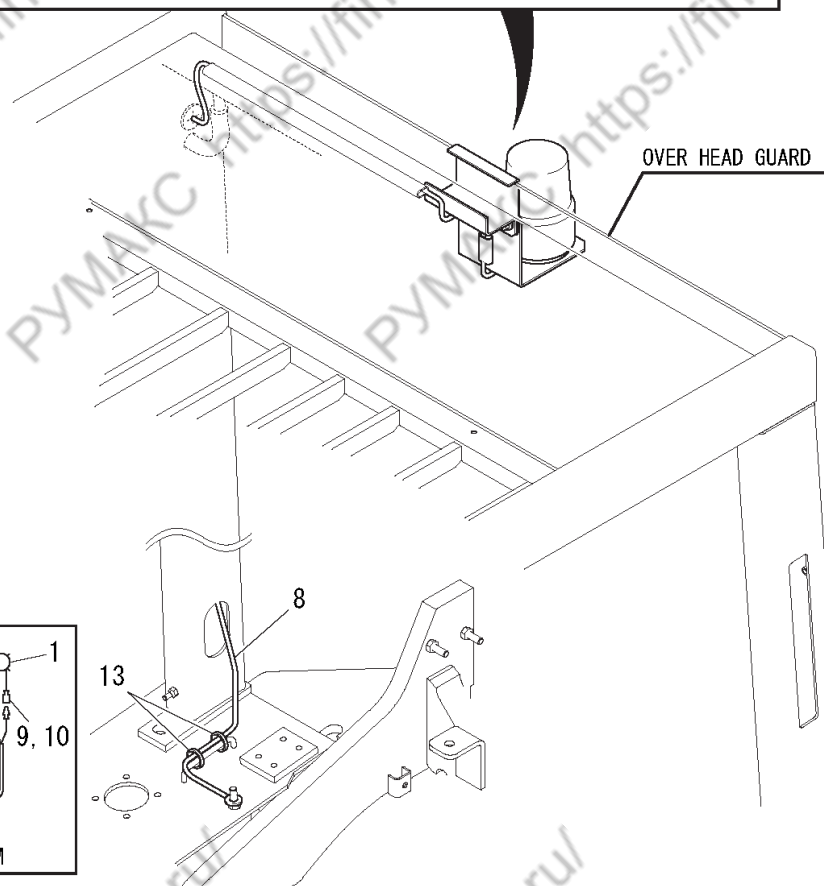
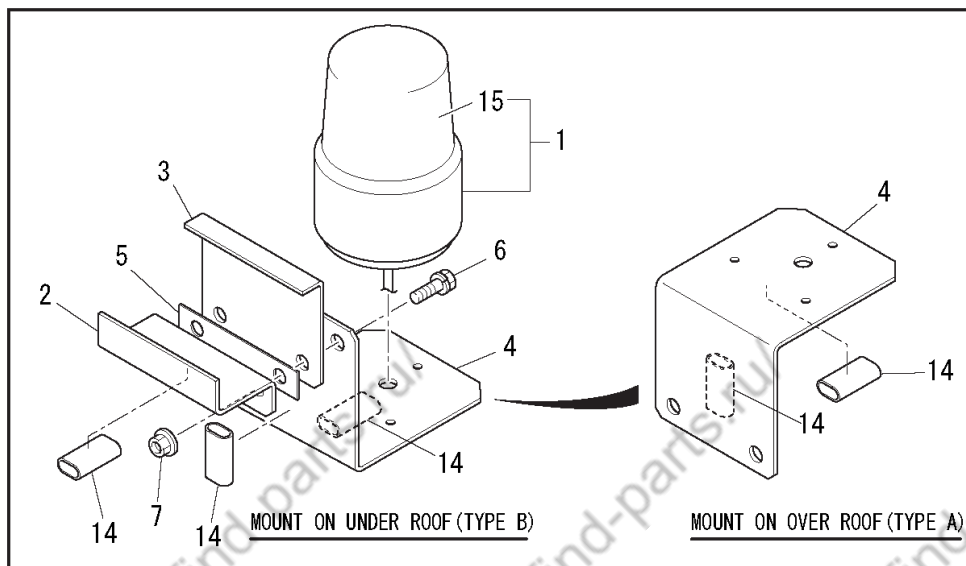


**LAMP ASSY INNER PARTS**

Item	PartNo.	Description	Q'ty	Remarks
1-	9249744-00	LAMP ASSY, HEAD	2	INCL.2-4
2-	9011628-32	BULB, 12V 55W	2*	
2-	9011628-39	BULB, 12V 55W	AR	LONG LIFE TYPE
3-	9011628-33	LENS	2	
4-	9011628-34	GASKET	2	
5-	9247374-00	LAMP ASSY, TURN SIGNAL	2	INCL.6,7
6-	9001098-16	BULB, 12V 23W	2	
7-	9011628-35	LENS	2	
8-	5242298-82	LAMP ASSY, REAR COMBI	2	INCL.9-12
9-	5242480-08	BULB, 12V 21/5W	2	
10-	5242480-09	BULB, 12V 21W	4	
11-	5242480-10	LENS ASSY	2	
12-	9011628-28	SCREW	2	

== END ==

# LED REVOLVING WARNING LIGHT FOR AUS

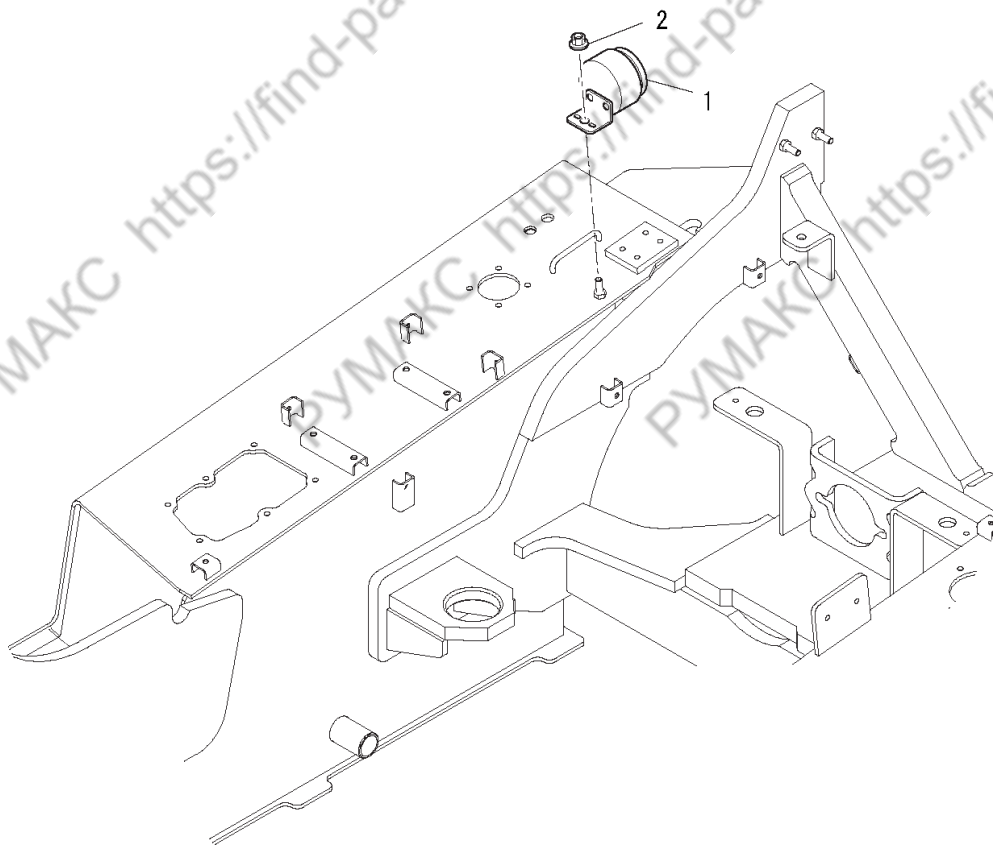


## LED REVOLVING WARNING LIGHT FOR AUS

Item	PartNo.	Description	Q'ty	Remarks
1-	5242584-73	LIGHT, LED ROTATING	1	INCL.15
2-	9282833-00	CLAMP	1	
3-	9257843-00	BRACKET	1	
4-	9257833-00	BRACKET, LAMP	1	
5-	9291053-00	SPACER	1	
6-	5242133-85	SEMS BOLT	2	
7-	5242133-41	FLANGE NUT	2	
8-	5242546-90	WIRE HARNESS	1	
9-	9524059-02	ELEC FITTING	1	
10-	9524089-01	SLEEVE INSULATING	1	
11-	9524059-01	ELEC FITTING	1	
12-	9524089-04	SLEEVE INSULATING	1	
13-	9032591-02	TIE LAP	2	
14-	5242239-96	DUCT HARNESS	3	
15-	5242486-85	GLOVE	1	

== END ==

BACK BUZZER FOR ASIA/AUS/KOREA

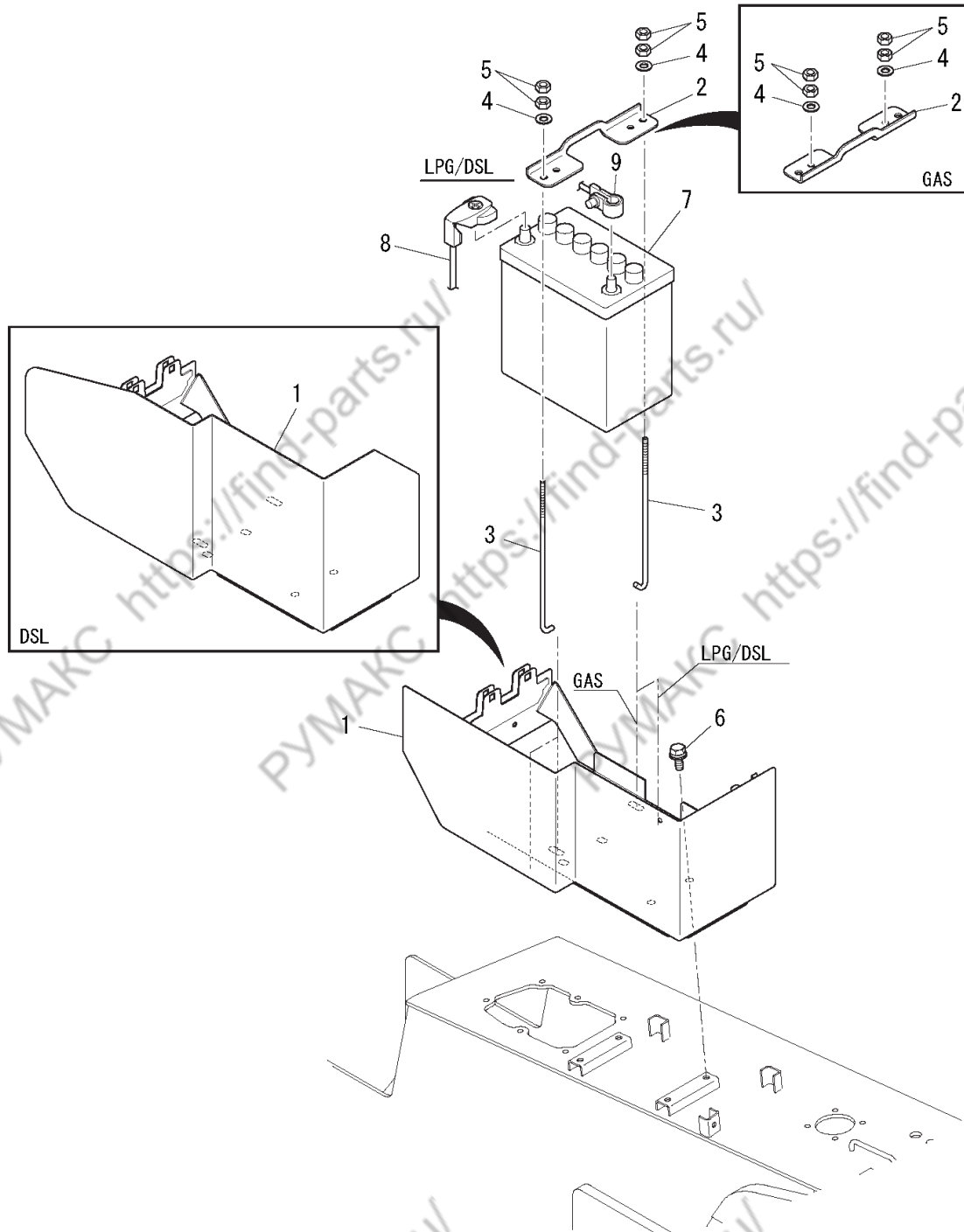


Service Bulletin	Change Item	Interchangeability
B-142685	Item 1	Refer to Service Bulletin

**BACK BUZZER FOR ASIA/AUS/KOREA**

Item	PartNo.	Description	Q'ty	Remarks
1-	9064684-00	BACK HORN ASSY	1	DENSO
1-	5500262-17	BACK HORN ASSY	1	HEFEI JIN GUANG ELECTRON
2-	5242133-41	FLANGE NUT	1	
== END ==				

BATTERY GROUP



Service Bulletin	Change Item	Interchangeability
B-113791	Item 1, 8	Refer to Service Bulletin
B-119237	Item 7, 8, 9	Refer to Service Bulletin

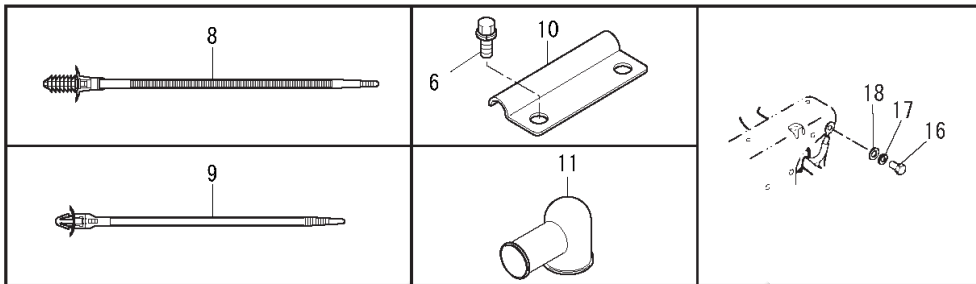
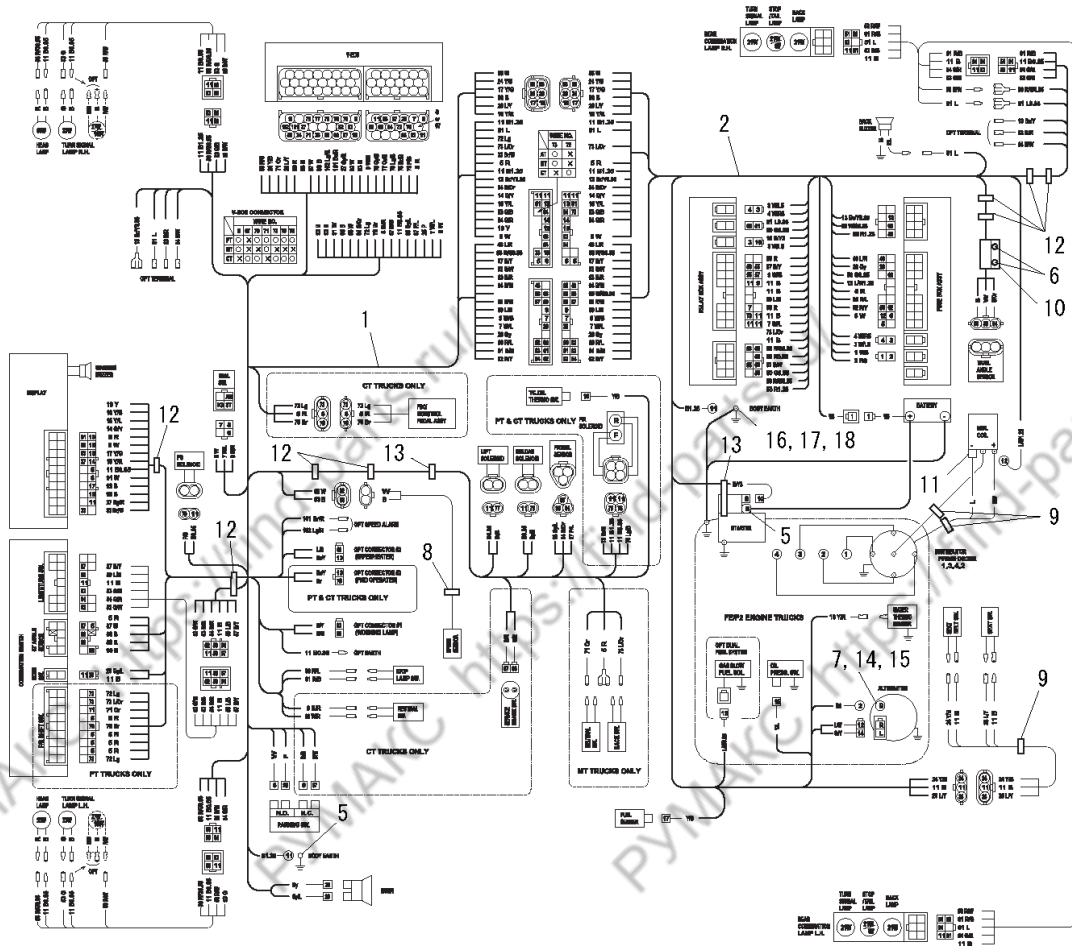
**BATTERY GROUP**

Item	PartNo.	Description	Q'ty	Remarks
1-	5242474-11	TRAY BATTERY	1	GP/GTP/GLP
1-	5242474-10	TRAY BATTERY	1	GDP
2-	5242474-12	(NA)CLAMP, BATTERY	1	
2-	5242927-82	CLAMP, BATTERY	1	
3-	9271454-01	ROD	2	
4-	4490210-03	WASHER	2	
5-	9371009-05	NUT	4	
6-	5242133-84	SEMS BOLT	4	
7-	5242031-75	BATTERY 40B19R	1	GP/GTP/GLP
7-	5242031-76	BATTERY 55D23R	1	GP/GLP-AKE/TKE
7-	5242031-78	BATTERY 95D31R	1	GDP
8-	5800659-43	(NA)BATTERY CABLE (+)	1	GP
8-	5800751-50	BATTERY CABLE (+)	1	GP/GTP/GLP
8-	5800659-44	(NA)BATTERY CABLE (+)	1	GTP/GLP
8-	5800751-51	BATTERY CABLE (+)	1	GP/GLP-AKE/TKE
8-	5800659-45	(NA)BATTERY CABLE (+)	1	GDP
8-	5800751-52	BATTERY CABLE (+)	1	GDP
9-	5800659-46	BATTERY CABLE (-)	1	GP/GTP/GLP
9-	5800659-47	BATTERY CABLE (-)	1	GP/GLP-AKE/TKE
9-	5800659-48	BATTERY CABLE (-)	1	GDP

== END ==

# WIRE HARNESS FOR GP-AK/RK/TK

FOR GP-AKE/TKE



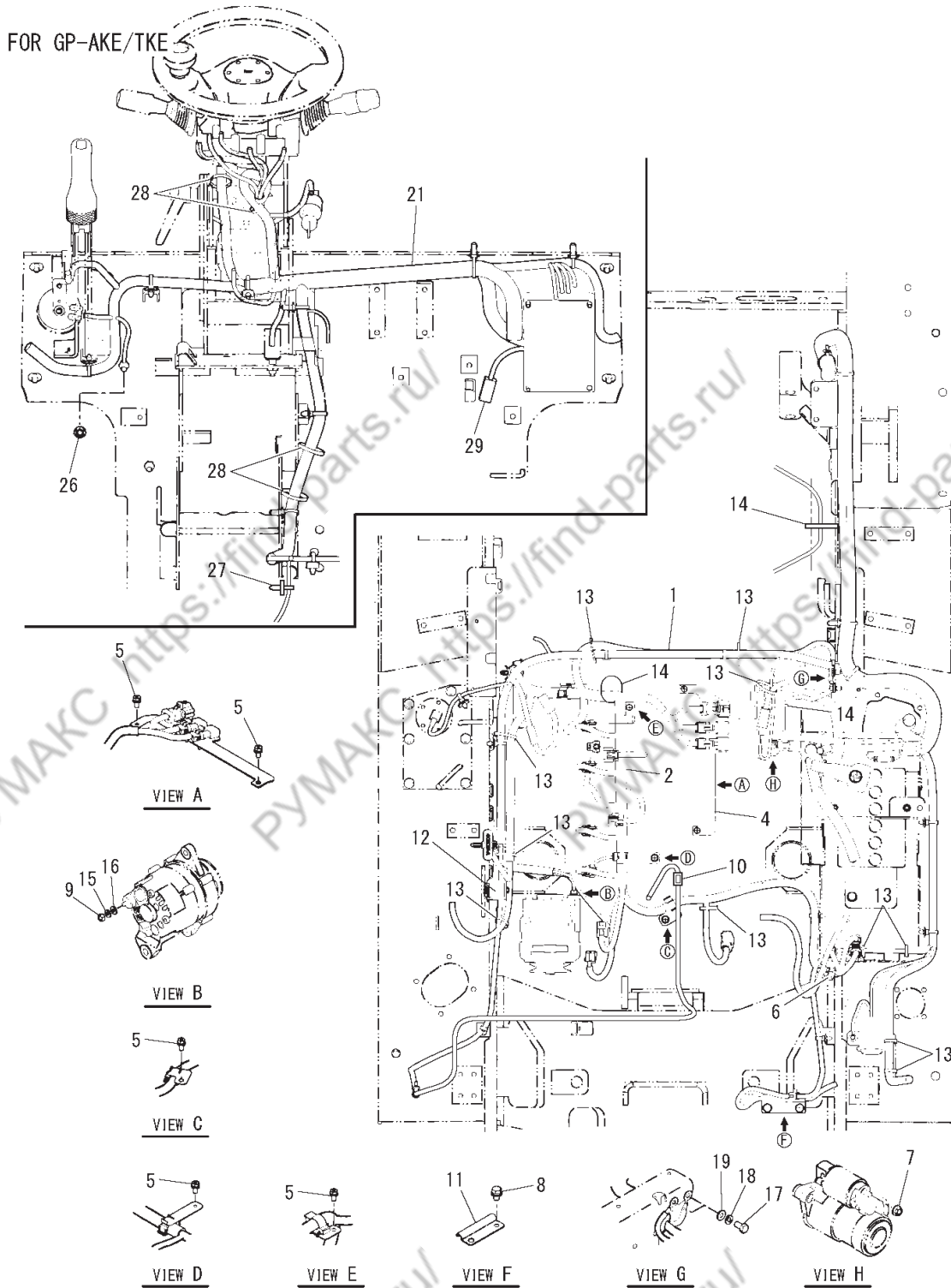
Service Bulletin	Change Item	Interchangeability
B-1130013	Item 1	Refer to Service Bulletin
B-11359804	Item 1	Refer to Service Bulletin
B-115445	Item 5	Refer to Service Bulletin
B-113889	Item 7	Refer to Service Bulletin



## WIRE HARNESS FOR GP-AK/RK/TK

Item	PartNo.	Description	Q'ty	Remarks
1-	NA	(NA)WIRE HARNESS, COWL A.T. LEVER	1	
1-	5800678-71	(NA)WIRE HARNESS, COWL A.T. LEVER	1	
1-	5800811-00	WIRE HARNESS, COWL A.T. LEVER	1	
2-	5800659-39	WIRE HARNESS, FRAME GAS	1	
5-	5242133-41	FLANGE NUT	2	
6-	5242133-83	SEMS BOLT	2	
7-	5242133-40	(NA)FLANGE NUT	1	
7-	4490150-02	NUT	1	
8-	5242119-53	CABLE CLIP	1	
9-	5242119-54	CABLE CLIP	3	
10-	5242492-24	CLAMP, HARNESS	1	
11-	9003058-03	BOOT TERMINAL	1	
12-	9032591-03	TIE LAP L=185~200	8	
13-	9032591-04	TIE LAP L=360~380	2	
14-	4490220-18	LOCKWASHER	1	
15-	4490210-03	WASHER	1	
16-	5242133-83	(NA)SEMS BOLT	1	
16-	9301139-03	BOLT	1	
17-	4490220-16	LOCKWASHER	1	
18-	4490210-01	WASHER	1	
== END ==				

# WIRE HARNESS FOR GP-AKE/TKE



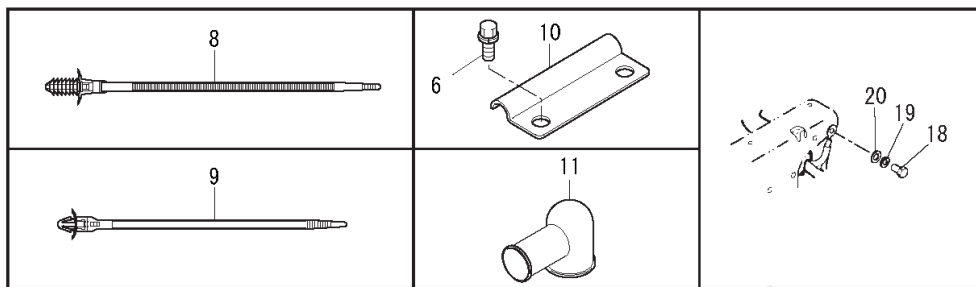
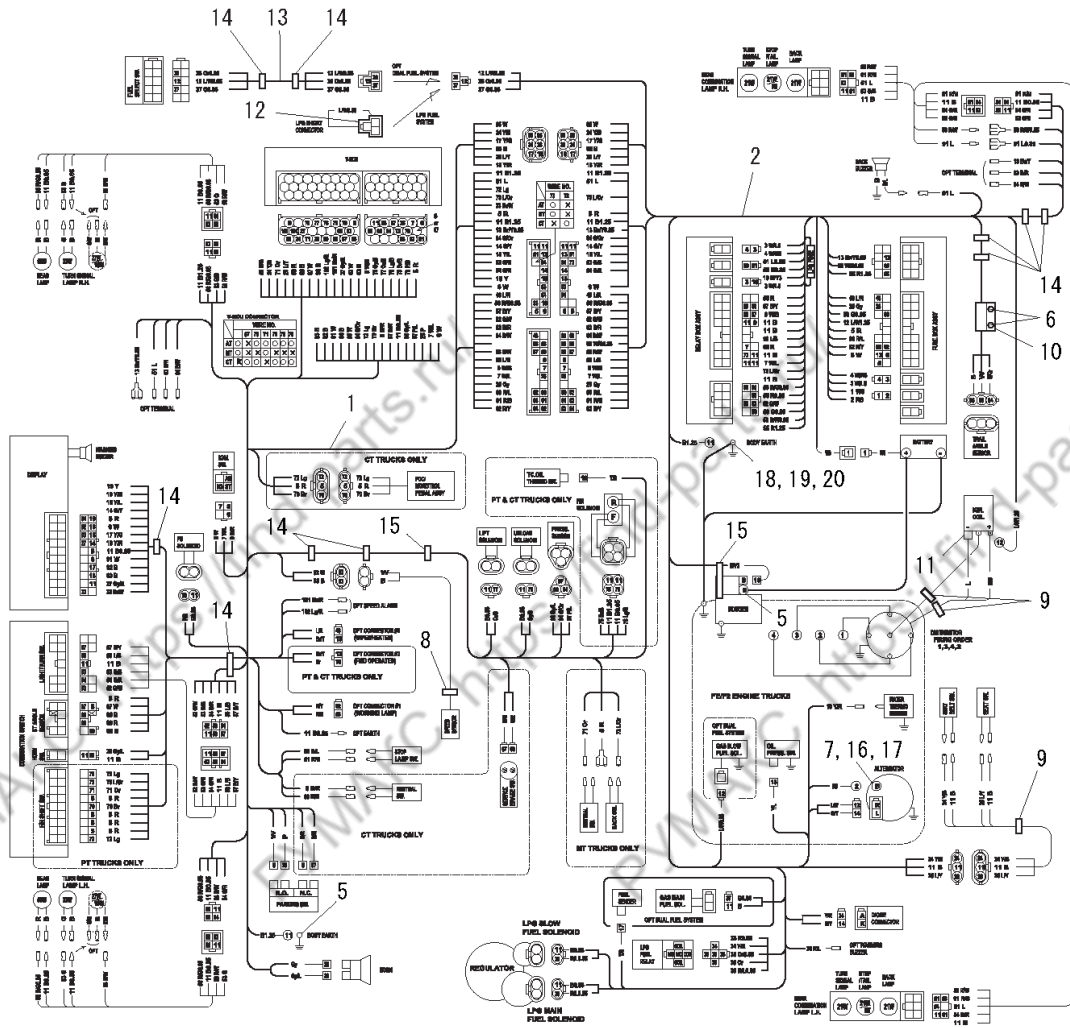
## WIRE HARNESS FOR GP-AKE/TKE

Item	PartNo.	Description	Q'ty	Remarks
1-	5800916-85	WIRE HARNESS, CHASSIS	1	
2-	5800916-86	WIRE HARNESS, ENGINE GAS	1	INCL.12
4-	5243238-75	BRACKET, CONNECOTR	1	
5-	5242133-73	SEMS BOLT	5	
6-	5243255-06	HOSE CLAMP	1	
7-	5242133-41	FLANGE NUT	1	
8-	5242133-83	SEMS BOLT	2	
9-	4490150-02	NUT	1	
10-	5242119-54	CABLE CLIP	1	
11-	5242492-24	CLAMP, HARNESS	1	
12-	5800105-44	RELAY	1	FUEL PUMP
13-	9032591-03	TIE LAP L=185~200	11	
14-	9032591-04	TIE LAP L=360~380	3	
15-	4490220-18	LOCKWASHER	1	
16-	4490210-03	WASHER	1	
17-	9301139-03	BOLT	2	
18-	4490220-16	LOCKWASHER	2	
19-	4490210-01	WASHER	2	
21-	5800811-00	WIRE HARNESS, COWL P.T. LEVER	1	
26-	5242133-41	FLANGE NUT	1	
27-	5242119-53	CABLE CLIP	1	
28-	9032591-03	TIE LAP L=185~200	4	
29-	5800755-49	WIRE HARNESS, CAN	1	

== END ==

# WIRE HARNESS FOR GTP/GLP-AK/RK/TK

FOR GTP/GLP-AK/RK/TK



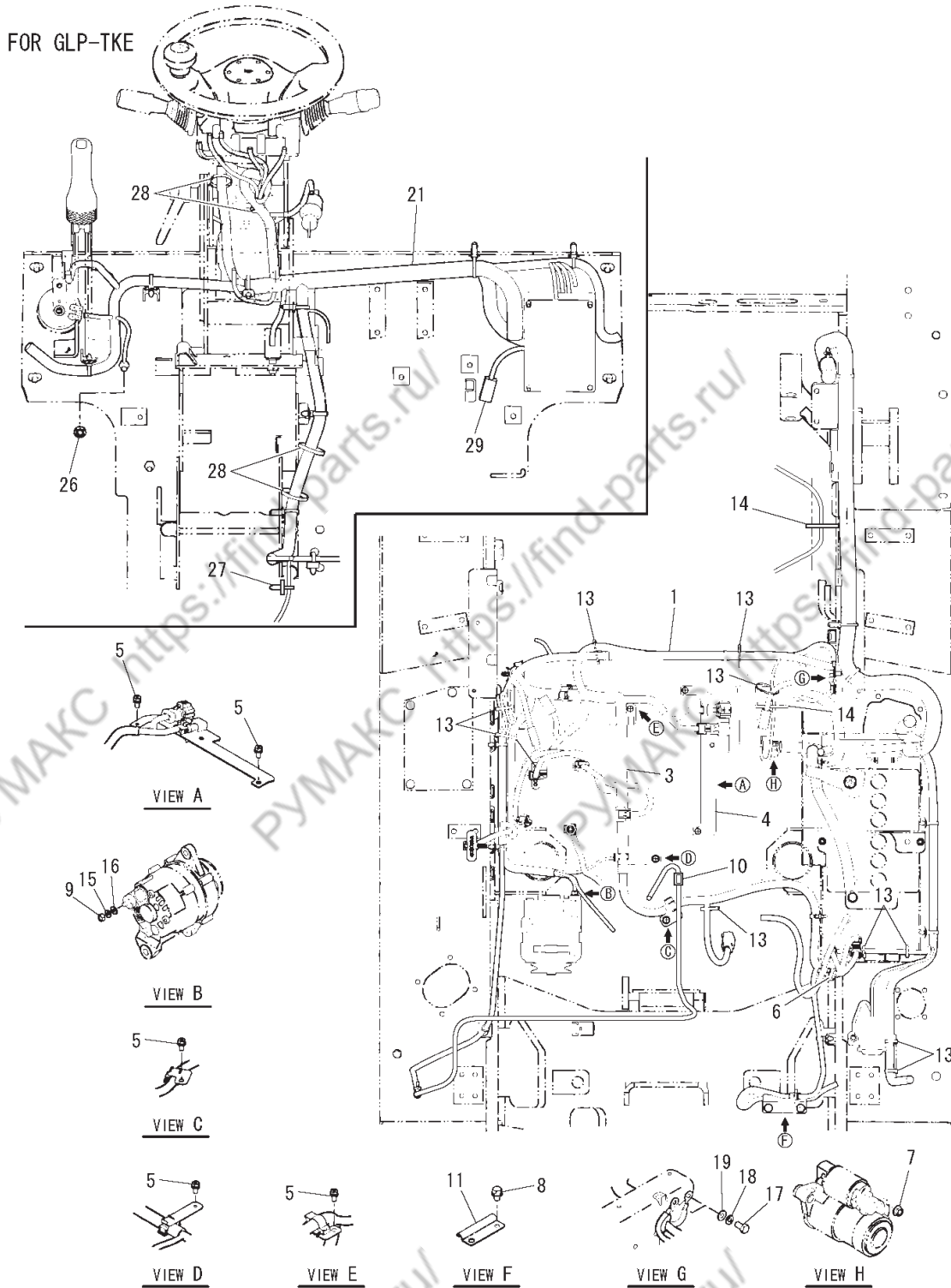
Service Bulletin	Change Item	Interchangeability
B-1130013	Item 1	Refer to Service Bulletin
B-11359804	Item 1	Refer to Service Bulletin
B-115445	Item 5	Refer to Service Bulletin
B-113889	Item 7	Refer to Service Bulletin

**WIRE HARNESS FOR GTP/GLP-AK/RK/TK**

Item	PartNo.	Description	Q'ty	Remarks
1-	NA	(NA)WIRE HARNESS, COWL A.T. LEVER	1	
1-	5800678-71	(NA)WIRE HARNESS, COWL A.T. LEVER	1	
1-	5800811-00	WIRE HARNESS, COWL A.T. LEVER	1	
2-	5800659-40	WIRE HARNESS, FRAME LPG	1	
5-	5242133-41	FLANGE NUT	2	
6-	5242133-83	SEMS BOLT	2	
7-	5242133-40	(NA)FLANGE NUT	1	
7-	4490150-02	NUT	1	
8-	5242119-53	CABLE CLIP	1	
9-	5242119-54	CABLE CLIP	3	
10-	5242492-24	CLAMP, HARNESS	1	
11-	9003058-03	BOOT TERMINAL	1	
12-	5242490-12	CONNECTOR, SHORT	1	GLP
13-	5800659-42	WIRE HARNESS SELECT SWITCH	1	GTP
14-	9032591-03	TIE LAP L=185~200	8	GLP
14-	9032591-03	TIE LAP L=185~200	10	GTP
15-	9032591-04	TIE LAP L=360~380	2	
16-	4490220-18	LOCKWASHER	1	
17-	4490210-03	WASHER	1	
18-	5242133-83	(NA)SEMS BOLT	1	
18-	9301139-03	BOLT	1	
19-	4490220-16	LOCKWASHER	1	
20-	4490210-01	WASHER	1	

== END ==

# WIRE HARNESS FOR GLP-TKE



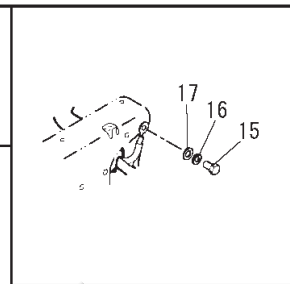
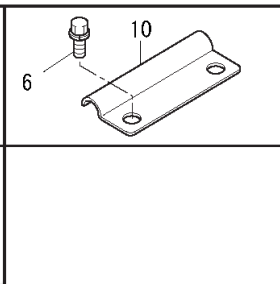
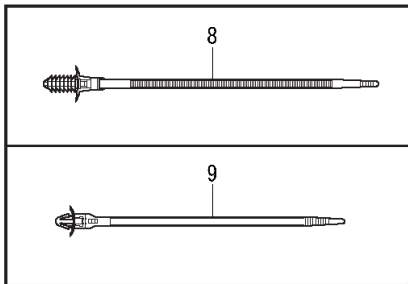
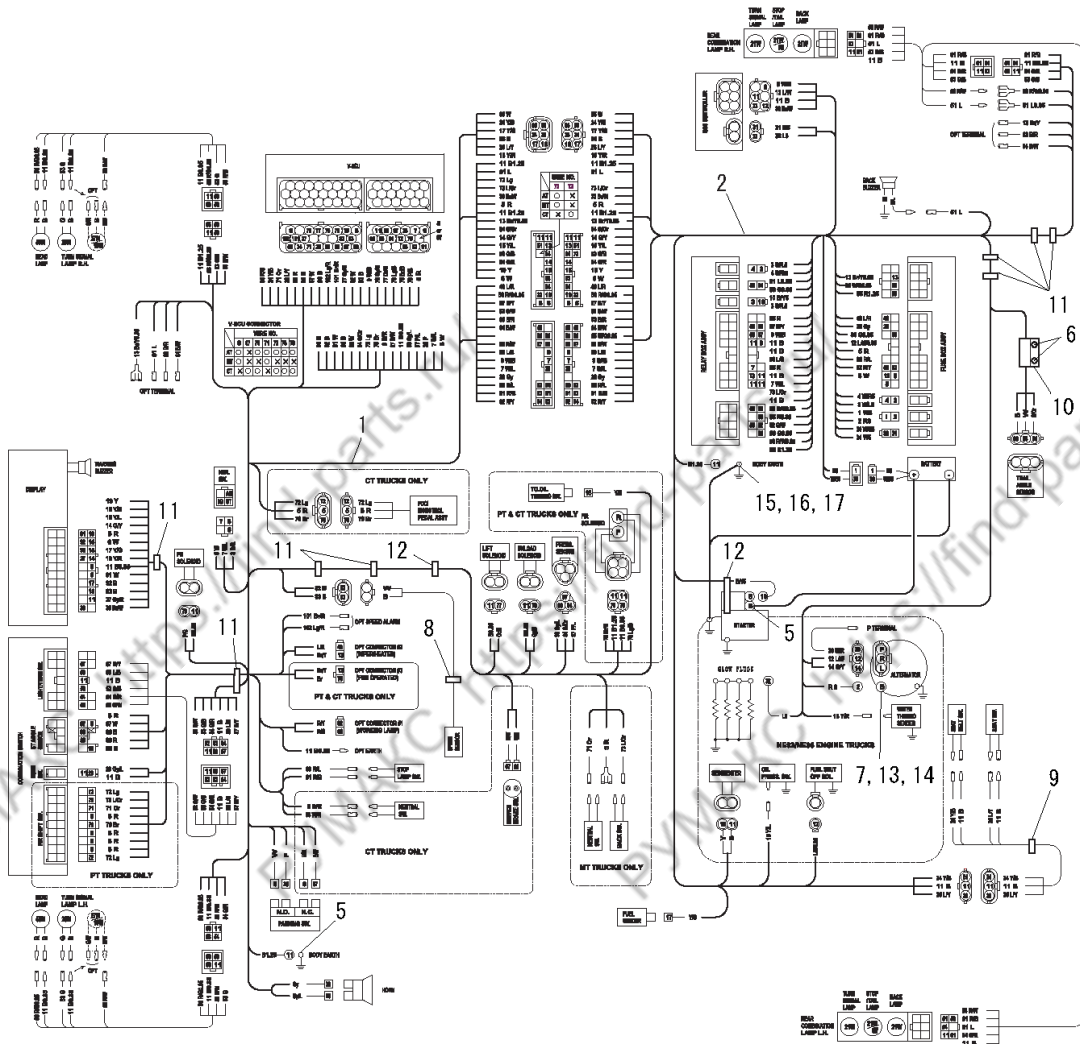
## WIRE HARNESS FOR GLP-TKE

Item	PartNo.	Description	Q'ty	Remarks
1-	5800916-85	WIRE HARNESS, CHASSIS	1	
3-	5800916-87	WIRE HARNESS, ENGINE GAS	1	
4-	5243238-75	BRACKET, CONNECOTR	1	
5-	5242133-73	SEMS BOLT	5	
6-	5243255-06	HOSE CLAMP	1	
7-	5242133-41	FLANGE NUT	1	
8-	5242133-83	SEMS BOLT	2	
9-	4490150-02	NUT	1	
10-	5242119-54	CABLE CLIP	10	
11-	5242492-24	CLAMP, HARNESS	1	
13-	9032591-03	TIE LAP L=185~200	1	
14-	9032591-04	TIE LAP L=360~380	2	
15-	4490220-18	LOCKWASHER	1	
16-	4490210-03	WASHER	1	
17-	9301139-03	BOLT	2	
18-	4490220-16	LOCKWASHER	2	
19-	4490210-01	WASHER	2	
21-	5800811-00	WIRE HARNESS, COWL P.T. LEVER	1	
26-	5242133-41	FLANGE NUT	1	
27-	5242119-53	CABLE CLIP	1	
28-	9032591-03	TIE LAP L=185~200	4	
29-	5800755-49	WIRE HARNESS, CAN	1	

== END ==

# WIRE HARNESS FOR GDP

FOR GDP



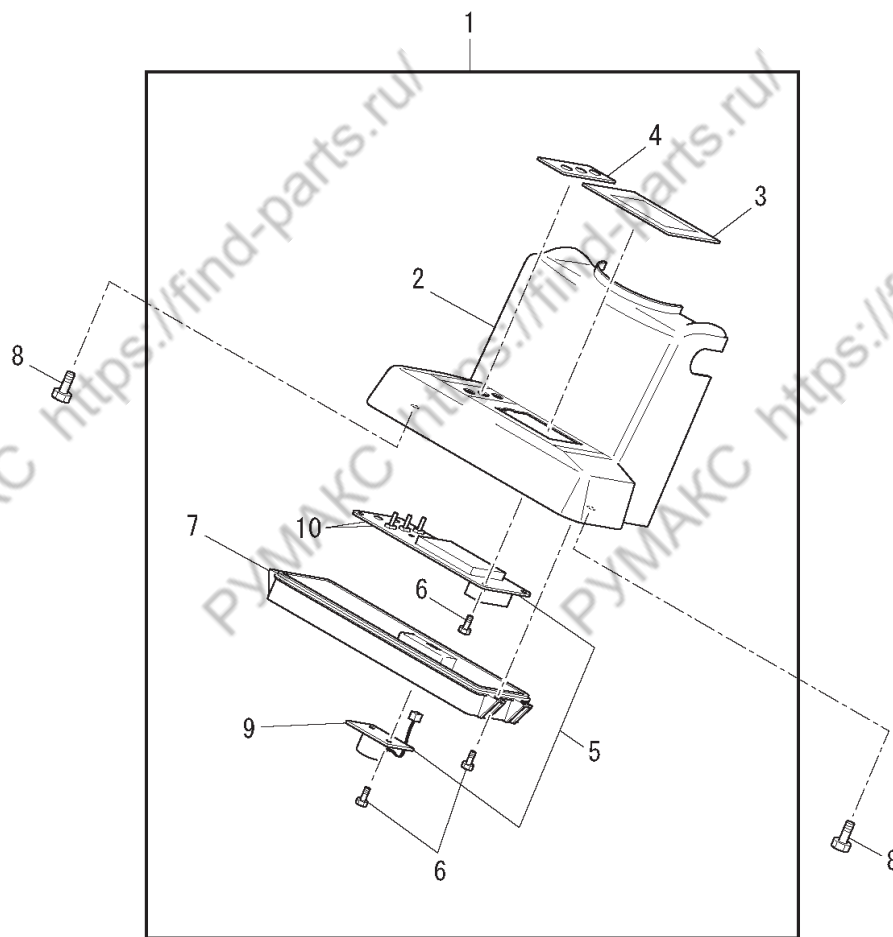
Service Bulletin	Change Item	Interchangeability
B-1130013	Item 1	Refer to Service Bulletin
B-11359804	Item 1	Refer to Service Bulletin
B-11359814A	Item 2	Refer to Service Bulletin
B-115445	Item 5	Refer to Service Bulletin
B-113889	Item 7	Refer to Service Bulletin



## WIRE HARNESS FOR GDP

Item	PartNo.	Description	Q'ty	Remarks
1-	NA	(NA)WIRE HARNESS, COWL A.T. LEVER	1	
1-	5800678-71	(NA)WIRE HARNESS, COWL A.T. LEVER	1	
1-	5800811-00	WIRE HARNESS, COWL A.T. LEVER	1	
2-	5800659-41	WIRE HARNESS, FRAME DSL	1	TO 2007.7
2-	5800855-53	WIRE HARNESS, FRAME DSL	1	FROM 2007.8
5-	5242133-41	FLANGE NUT	2	
6-	5242133-83	SEMS BOLT	2	
7-	5242133-40	(NA)FLANGE NUT	1	
7-	4490150-02	NUT	1	
8-	5242119-53	CABLE CLIP	1	
9-	5242119-54	CABLE CLIP	1	
10-	5242492-24	CLAMP, HARNESS	1	
11-	9032591-03	TIE LAP L=185~200	8	
12-	9032591-04	TIE LAP L=360~380	2	
13-	4490220-18	LOCKWASHER	1	
14-	4490210-03	WASHER	1	
15-	5242133-83	(NA)SEMS BOLT	1	
15-	9301139-03	BOLT	1	
16-	4490220-16	LOCKWASHER	1	
17-	4490210-01	WASHER	1	
== END ==				

DISPLAY ASSY



Service News	Change Item	Interchangeability
B-116927	Item 1, 5	Refer to Service News

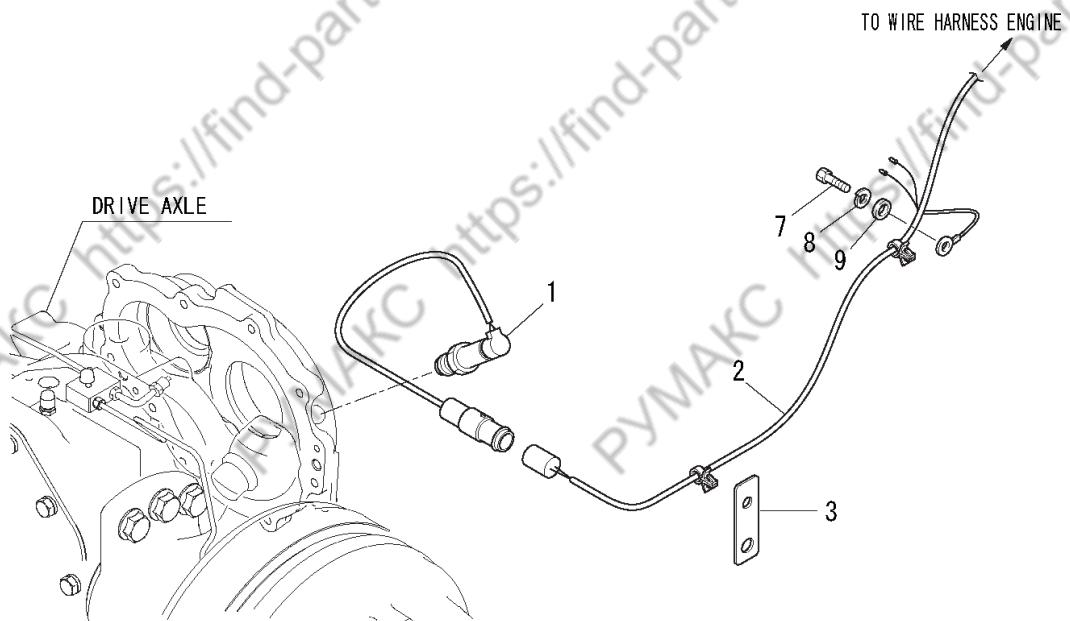
**DISPLAY ASSY**

Item	PartNo.	Description	Q'ty	Remarks
1-	5242481-70	DISPLAY ASSY	1	INCL.2-7 GP/GTP/GDP-AK/RK/TK
1-	5242962-09	DISPLAY ASSY	1	INCL.2-7 GP-AKE/TKE
1-	5242481-71	DISPLAY ASSY	1	INCL.2-7 GLP-AK/RK/TK
1-	5242962-10	DISPLAY ASSY	1	INCL.2-7 GLP-AKE/TKE
2-	5242447-69	COVER COLUMN TOP	1	
3-	5242447-73	PANEL LCD FOR GAS/DSL/DUAL	1	GP/GTP/GDP
3-	5242447-74	PANEL LCD FOR LPG	1	GLP
4-	5242447-76	DECAL SWITCH	1	
5-	NSS	DISPLAY UNIT ASSY	1	INCL.9,10 AK/RK/TK
5-	NSS	DISPLAY UNIT ASSY	1	INCL.9,10 AKE/TKE
6-	9099044-09	TAPPING SCREW	11	
7-	5242443-28	CASE DISPLAY	1	
8-	9099044-03	SCREW	2	
9-	5242481-75	DISPLAY BUZZER ASSY	1	
10-	5242481-76	DISPLAY BULB	2	

== END ==

# SPEED LIMITER FOR AKE/TKE

FOR AKE/TKE

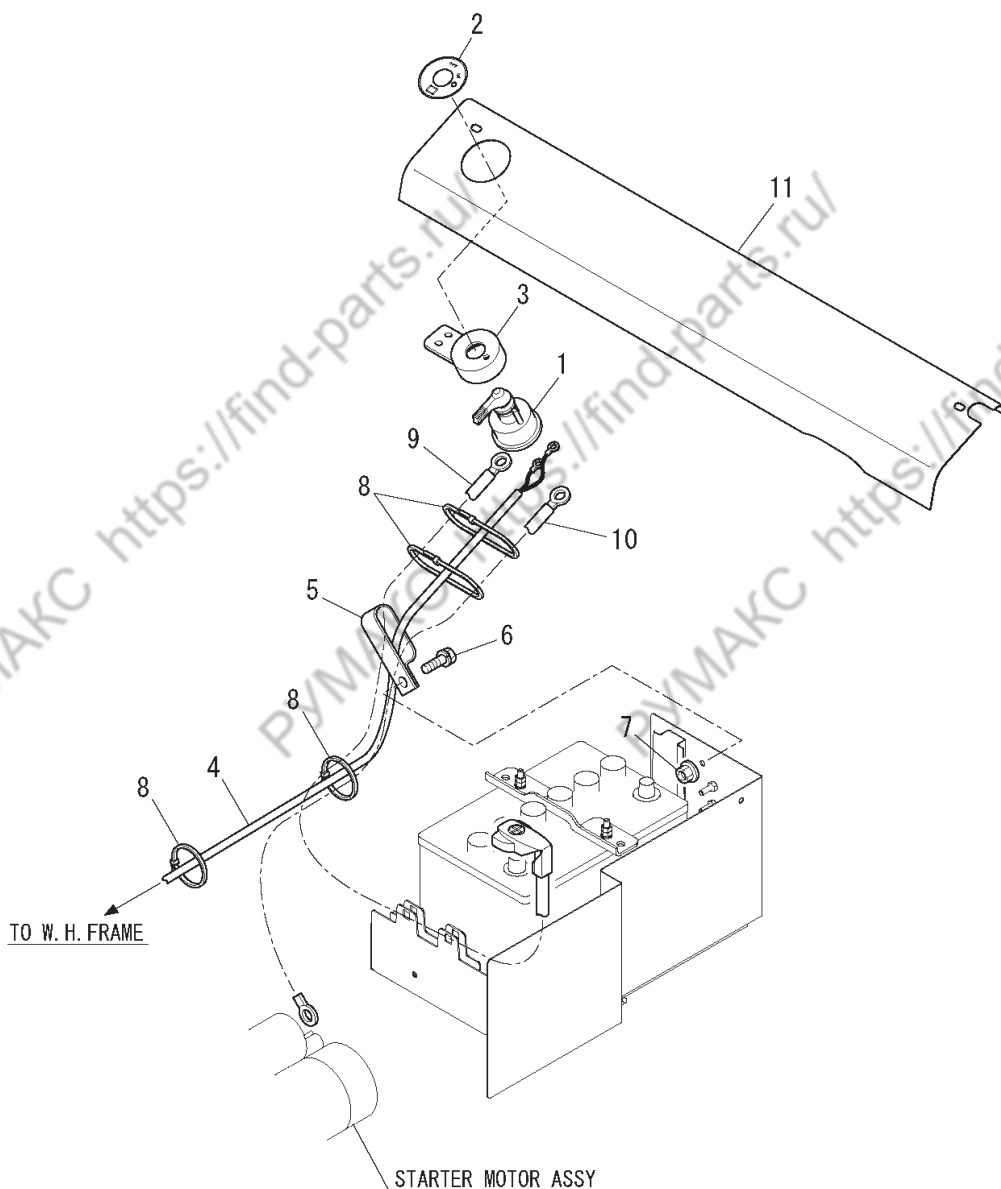


**SPEED LIMITER FOR AKE/TKE**

Item	PartNo.	Description	Q'ty	Remarks
1-	9162543-01	SENSOR, SPEED	1	
2-	5800916-90	WIRE HARNESS, SPEED LIMITER	1	
3-	5242497-58	BRACKET, HARNESS CLAMP	1	
7-	9301139-03	BOLT	1	
8-	4490220-16	LOCKWASHER	1	
9-	4490210-01	WASHER	1	
== END ==				

DISCONNECT SW. TO 2010.10 FOR EUR GLP-RK/TK

TO 2010.10 FOR EUR GLP-RK/TK



Service Bulletin	Change Item	Interchangeability
B-142803A	Item ALL	Refer to Service Bulletin

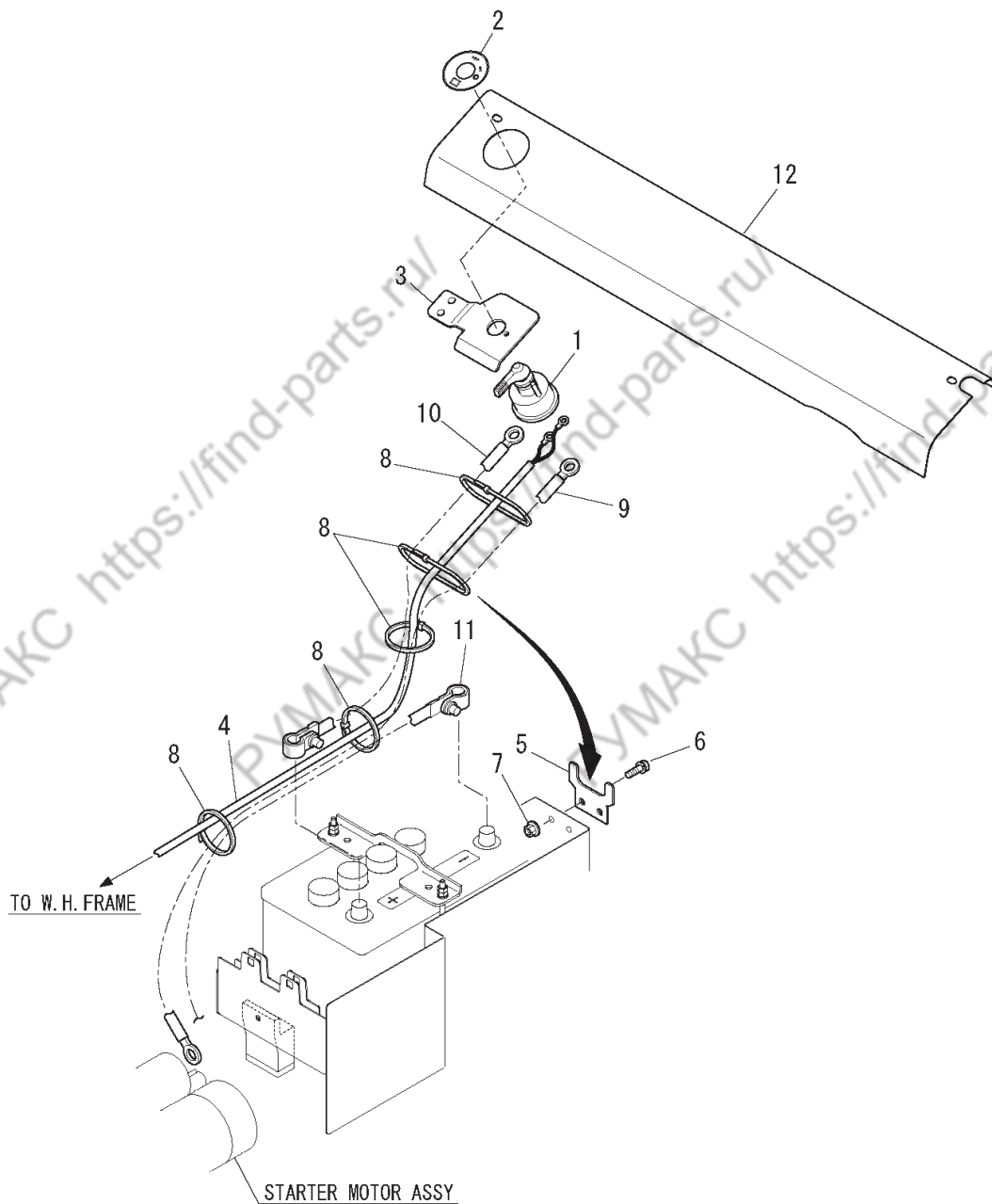
**DISCONNECT SW. TO 2010.10 FOR EUR GLP-RK/TK**

Item	PartNo.	Description	Q'ty	Remarks
1-	5800888-89	SWITCH, DISCONNECT	1	
2-	5800880-05	LABEL, DISCONNCECT SW	1	
3-	5243116-65	BRACKET, DISCONNECT	1	
4-	5800880-06	WIRE HARNESS, DISCONNECT SW.	1	
5-	9094683-02	CLAMP	1	
6-	5242133-78	SEMS BOLT	1	
7-	5242133-40	FLANGE NUT	1	
8-	9032591-03	TIE LAP L=185~200	10	
9-	5800880-08	BATTERY CABLE (+)	1	
10-	5800880-09	BATTERY CABLE (+)	1	
11-	5243116-64	COVER, RADIATOR	1	

== END ==

DISCONNECT SW. TO 2010.10 FOR EUR GDP

TO 2010.10 FOR EUR GDP



Service Bulletin	Change Item	Interchangeability
B-142803A	Item ALL	Refer to Service Bulletin

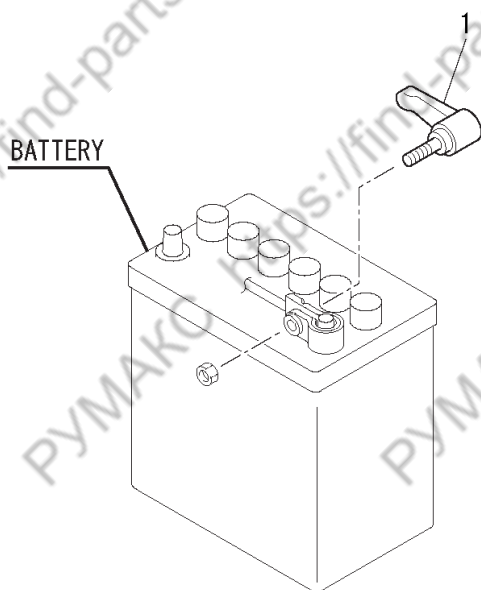


**DISCONNECT SW. TO 2010.10 FOR EUR GDP**

Item	PartNo.	Description	Q'ty	Remarks
1-	5800888-89	SWITCH, DISCONNECT	1	
2-	5800880-05	LABEL, DISCONNCT SW	1	
3-	5243116-69	BRACKET, DISCONNECT	1	
4-	5800880-07	WIRE HARNESS, DISCONNECT SW.	1	
5-	5243116-70	BRACKET, CABLE	1	
6-	5242133-78	SEMS BOLT	2	
7-	5242133-40	FLANGE NUT	2	
8-	9032591-03	TIE LAP L=185~200	10	
9-	5800880-10	BATTERY CABLE (+)	1	
10-	5800880-12	BATTERY CABLE (+)	1	
11-	5800880-11	BATTERY CABLE (-)	1	
12-	5243116-64	COVER, RADIATOR	1	
	==	END	==	

BATTERY DISCONNECT DEVICE FROM 2010.11 FOR EUR

FROM 2010. 11 FOR EUR



**BATTERY DISCONNECT DEVICE FROM 2010.11 FOR EUR**

Item	PartNo.	Description	Q'ty	Remarks
1-	5500263-15	LEVER CLAMP	1	

== END ==

## NUMERICAL PARTS INDEX

PartNo.	Page	Item	PartNo.	Page	Item	PartNo.	Page	Item
0149315-00	1.00 - 29	33-	"	6.00 - 23	9-	"	2.00 - 29	7-
"	1.00 - 37	36-	"	6.00 - 25	7-	"	2.00 - 29	13-
0149893-00	1.00 - 3	60-	"	6.00 - 27	9-	"	2.00 - 29	49-
"	1.00 - 7	58-	"	6.00 - 29	7-	"	2.00 - 29	55-
"	1.00 - 11	58-	4490150-11	1.00 - 49	51-	4490220-18	6.00 - 21	14-
"	1.00 - 33	35-	"	1.00 - 49	60-	"	6.00 - 23	15-
"	1.00 - 41	38-	4490150-14	5.00 - 25	8-	"	6.00 - 25	16-
0151258-00	1.00 - 15	15-	4490210-01	3.00 - 13	32-	"	6.00 - 27	15-
0526422-00	2.00 - 17	4-	"	6.00 - 21	18-	"	6.00 - 29	13-
"	2.00 - 21	4-	"	6.00 - 23	19-	4490220-19	6.00 - 3	26-
"	5.00 - 3	1-	"	6.00 - 25	20-	4490220-20	1.00 - 25	5-
0526434-00	5.00 - 3	22-	"	6.00 - 27	19-	"	2.00 - 3	8-
0526454-00	5.00 - 17	8-	"	6.00 - 29	17-	"	2.00 - 29	28-
"	5.00 - 19	7-	"	6.00 - 33	9-	"	2.00 - 29	36-
0526457-00	5.00 - 19	8-	4490210-02	3.00 - 3	16-	"	2.00 - 29	68-
0554857-00	2.00 - 17	5-	"	3.00 - 3	27-	"	2.00 - 29	75-
"	2.00 - 21	5-	"	3.00 - 3	53-	4490220-21	2.00 - 3	10-
0557298-00	2.00 - 3	15-	"	3.00 - 7	16-	"	2.00 - 3	10-
0557464-00	2.00 - 3	16-	"	3.00 - 7	27-	"	6.00 - 3	12-
0563631-00	5.00 - 5	4-	"	3.00 - 7	53-	4490220-41	1.00 - 49	52-
"	5.00 - 7	7-	4490210-03	6.00 - 19	4-	"	1.00 - 49	59-
0569430-00	5.00 - 9	1-	"	6.00 - 21	15-	4490290-24	3.00 - 3	9-
"	5.00 - 19	4-	"	6.00 - 23	16-	"	3.00 - 7	9-
0573900-00	1.00 - 3	43-	"	6.00 - 25	17-	4490290-25	2.00 - 15	5-
"	1.00 - 7	34-	"	6.00 - 27	16-	4490300-04	1.00 - 19	19-
"	1.00 - 11	34-	"	6.00 - 29	14-	4490760-05	2.00 - 17	15-
0587212-00	5.00 - 5	3-	4490210-10	1.00 - 11	61-	"	2.00 - 21	14-
0597264-00	2.00 - 3	14-	"	2.00 - 3	3-	5004129-04	3.00 - 3	38-
0600237-00	5.00 - 9	3-	"	2.00 - 3	21-	"	3.00 - 7	38-
"	5.00 - 9	3-	"	3.00 - 3	30-	"	5.00 - 3	9-
"	5.00 - 11	7-	"	3.00 - 3	56-	"	5.00 - 3	9-
0600238-00	5.00 - 3	19-	"	3.00 - 7	30-	5004129-06	3.00 - 13	39-
0665377-00	1.00 - 3	39-	"	3.00 - 7	56-	"	3.00 - 13	39-
"	1.00 - 7	13-	"	5.00 - 27	19-	5022319-02	5.00 - 11	6-
"	1.00 - 11	13-	"	5.00 - 29	21-	5025669-01	1.00 - 3	22-
3113230-23	2.00 - 21	6-	4490220-13	1.00 - 23	5-	"	4.00 - 13	12-
4490010-14	5.00 - 25	9-	4490220-16	6.00 - 21	17-	5025669-03	2.00 - 17	7-
4490010-52	1.00 - 3	21-	"	6.00 - 23	18-	"	2.00 - 21	7-
4490011-34	5.00 - 25	7-	"	6.00 - 25	19-	5025669-04	5.00 - 19	3-
4490014-06	4.00 - 3	4-	"	6.00 - 27	18-	5042362-69	1.00 - 29	29-
4490021-42	5.00 - 19	2-	"	6.00 - 29	16-	"	1.00 - 29	29-
4490040-72	1.00 - 17	6-	"	6.00 - 33	8-	"	1.00 - 37	32-
4490070-42	2.00 - 3	11-	4490220-17	1.00 - 49	6-	"	1.00 - 37	32-
"	2.00 - 3	11-	"	1.00 - 49	15-	5042417-82	4.00 - 19	15-
4490150-02	6.00 - 21	7-	"	1.00 - 49	33-	"	6.00 - 11	21-

PartNo.	Page	Item	PartNo.	Page	Item	PartNo.	Page	Item
5042417-83	4.00 - 19	14-	"	1.00 - 7	9-	5242099-08	1.00 - 49	18-
"	6.00 - 11	18-	"	1.00 - 11	9-	5242099-10	1.00 - 49	22-
5059635-78	3.00 - 19	44-	5241947-83	2.00 - 29	71-	5242099-93	3.00 - 13	31-
5059645-29	5.00 - 35	30-	5242031-75	6.00 - 19	7-	5242099-97	3.00 - 13	15-
5059675-34	1.00 - 3	41-	5242031-76	6.00 - 19	7-	5242102-99	4.00 - 19	7-
"	1.00 - 7	32-	5242031-78	6.00 - 19	7-	5242103-00	4.00 - 19	8-
"	1.00 - 11	32-	5242038-61	6.00 - 3	8-	5242119-53	6.00 - 21	8-
5059675-44	1.00 - 3	15-	"	6.00 - 5	1-	"	6.00 - 23	27-
"	1.00 - 33	23-	5242038-62	6.00 - 3	9-	"	6.00 - 25	8-
"	1.00 - 41	23-	"	6.00 - 7	1-	"	6.00 - 27	27-
5059675-88	1.00 - 3	42-	5242051-94	3.00 - 13	30-	"	6.00 - 29	8-
"	1.00 - 7	33-	"	3.00 - 13	41-	5242119-54	6.00 - 21	9-
"	1.00 - 11	33-	5242082-46	2.00 - 11	4-	"	6.00 - 23	10-
5059705-54	1.00 - 49	71-	5242082-47	2.00 - 11	5-	"	6.00 - 25	9-
5059705-98	1.00 - 49	28-	5242082-48	2.00 - 11	6-	"	6.00 - 27	10-
5059705-99	1.00 - 49	26-	5242085-01	1.00 - 33	4-	"	6.00 - 29	9-
5059715-15	1.00 - 49	73-	5242085-02	1.00 - 41	4-	5242119-79	1.00 - 3	27-
5059725-66	4.00 - 27	9-	"	1.00 - 41	4-	"	1.00 - 7	56-
5059735-04	4.00 - 27	17-	5242085-06	1.00 - 33	3-	"	1.00 - 11	56-
5059735-24	4.00 - 27	2-	5242085-07	1.00 - 41	3-	5242133-40	2.00 - 17	43-
5059735-86	4.00 - 27	10-	5242085-08	1.00 - 41	3-	"	2.00 - 21	34-
5059745-57	4.00 - 27	8-	5242085-09	1.00 - 41	3-	"	3.00 - 13	22-
5059745-78	4.00 - 27	11-	5242085-58	1.00 - 3	61-	"	6.00 - 3	10-
5059765-03	4.00 - 27	11-	"	1.00 - 7	59-	"	6.00 - 3	10-
5059765-19	4.00 - 27	17-	"	1.00 - 11	65-	"	6.00 - 3	27-
5178128-10	2.00 - 7	57-	"	1.00 - 23	1-	"	6.00 - 9	3-
5188006-06	3.00 - 3	20-	5242085-59	1.00 - 3	61-	"	6.00 - 9	3-
"	3.00 - 7	20-	"	1.00 - 7	59-	"	6.00 - 21	7-
5194326-75	4.00 - 27	13-	"	1.00 - 11	65-	"	6.00 - 25	7-
5194326-85	4.00 - 27	13-	"	1.00 - 23	1-	"	6.00 - 29	7-
5200418-63	4.00 - 7	26-	5242088-80	4.00 - 27	24-	"	6.00 - 35	7-
5241607-10	4.00 - 3	6-	5242088-81	4.00 - 27	23-	"	6.00 - 37	7-
5241728-19	1.00 - 3	47-	5242089-23	4.00 - 7	15-	5242133-41	3.00 - 13	45-
5241754-54	2.00 - 17	40-	5242093-21	1.00 - 3	10-	"	4.00 - 3	7-
"	2.00 - 21	28-	"	1.00 - 15	1-	"	4.00 - 13	4-
5241802-40	4.00 - 7	31-	5242093-28	1.00 - 3	3-	"	4.00 - 15	2-
5241827-32	1.00 - 21	12-	"	1.00 - 7	11-	"	6.00 - 15	7-
5241827-36	1.00 - 21	17-	"	1.00 - 11	11-	"	6.00 - 17	2-
5241900-85	2.00 - 29	66-	5242093-30	1.00 - 3	20-	"	6.00 - 21	5-
"	2.00 - 29	73-	"	1.00 - 7	20-	"	6.00 - 23	7-
5241900-88	2.00 - 29	64-	"	1.00 - 11	20-	"	6.00 - 23	26-
5241940-63	1.00 - 3	5-	"	1.00 - 17	1-	"	6.00 - 25	5-
"	1.00 - 7	6-	5242097-92	1.00 - 3	25-	"	6.00 - 27	7-
"	1.00 - 11	6-	"	1.00 - 7	28-	"	6.00 - 27	26-
5241940-66	1.00 - 3	8-	"	1.00 - 19	1-	"	6.00 - 29	5-

PartNo.	Page	Item	PartNo.	Page	Item	PartNo.	Page	Item
5242133-42	3.00 - 13	20-	5242133-83	1.00 - 7	16-	5242133-93	3.00 - 13	19-
"	5.00 - 17	3-	"	1.00 - 11	16-	"	5.00 - 17	2-
5242133-47	2.00 - 17	39-	"	1.00 - 47	6-	5242133-97	4.00 - 19	2-
"	2.00 - 21	30-	"	2.00 - 17	45-	5242133-98	4.00 - 19	3-
5242133-48	6.00 - 11	10-	"	2.00 - 21	48-	5242135-26	1.00 - 3	29-
5242133-49	1.00 - 29	26-	"	3.00 - 3	22-	"	1.00 - 21	1-
"	1.00 - 37	29-	"	3.00 - 7	22-	5242138-06	1.00 - 25	6-
5242133-50	6.00 - 3	21-	"	3.00 - 13	40-	5242138-14	1.00 - 3	28-
5242133-51	3.00 - 3	6-	"	4.00 - 13	9-	"	1.00 - 7	29-
"	3.00 - 7	6-	"	5.00 - 3	20-	"	1.00 - 11	29-
5242133-52	1.00 - 29	19-	"	5.00 - 3	20-	5242138-17	6.00 - 9	2-
"	1.00 - 33	29-	"	5.00 - 5	9-	"	6.00 - 9	2-
"	1.00 - 37	22-	"	5.00 - 7	9-	5242138-20	1.00 - 33	32-
"	1.00 - 41	29-	"	5.00 - 9	4-	"	1.00 - 41	35-
"	6.00 - 3	22-	"	5.00 - 9	4-	5242138-21	1.00 - 29	17-
5242133-54	1.00 - 25	3-	"	5.00 - 11	8-	5242138-22	1.00 - 37	14-
"	3.00 - 3	11-	"	5.00 - 11	8-	5242138-23	1.00 - 37	20-
"	3.00 - 7	11-	"	5.00 - 13	4-	"	4.00 - 7	32-
5242133-55	5.00 - 3	8-	"	5.00 - 15	6-	5242140-50	3.00 - 13	23-
5242133-58	1.00 - 25	12-	"	5.00 - 27	14-	5242143-93	2.00 - 21	40-
"	1.00 - 27	2-	"	5.00 - 29	16-	5242155-47	1.00 - 29	30-
"	4.00 - 11	3-	"	6.00 - 3	15-	"	1.00 - 37	33-
"	4.00 - 11	3-	"	6.00 - 21	6-	5242156-77	5.00 - 27	7-
5242133-61	1.00 - 3	18-	"	6.00 - 21	16-	"	5.00 - 29	8-
"	1.00 - 7	23-	"	6.00 - 23	8-	5242168-95	3.00 - 3	7-
"	1.00 - 11	23-	"	6.00 - 25	6-	"	3.00 - 7	7-
"	1.00 - 25	7-	"	6.00 - 25	18-	5242179-02	6.00 - 3	2-
"	1.00 - 27	1-	"	6.00 - 27	8-	5242239-96	6.00 - 15	14-
5242133-71	6.00 - 3	3-	"	6.00 - 29	6-	5242241-62	1.00 - 3	6-
5242133-73	4.00 - 7	4-	"	6.00 - 29	15-	5242243-81	1.00 - 3	14-
"	4.00 - 19	17-	5242133-84	2.00 - 3	4-	5242248-56	2.00 - 29	32-
"	6.00 - 23	5-	"	4.00 - 11	4-	5242248-57	2.00 - 29	31-
"	6.00 - 27	5-	"	4.00 - 13	5-	5242253-49	1.00 - 3	57-
5242133-74	3.00 - 3	36-	"	5.00 - 17	7-	5242261-90	2.00 - 17	36-
"	3.00 - 7	36-	"	6.00 - 11	5-	"	2.00 - 21	26-
"	6.00 - 3	16-	"	6.00 - 19	6-	5242261-91	2.00 - 17	37-
5242133-77	1.00 - 25	2-	5242133-85	6.00 - 15	6-	"	2.00 - 21	27-
"	4.00 - 7	25-	5242133-90	4.00 - 7	34-	5242284-18	2.00 - 3	17-
5242133-78	4.00 - 7	14-	"	4.00 - 19	12-	"	2.00 - 7	1-
"	4.00 - 7	45-	5242133-91	1.00 - 3	58-	5242284-19	2.00 - 3	17-
"	4.00 - 7	45-	"	1.00 - 7	54-	"	2.00 - 7	1-
"	6.00 - 35	6-	"	1.00 - 11	54-	5242284-20	2.00 - 3	17-
"	6.00 - 37	6-	"	3.00 - 13	38-	"	2.00 - 7	1-
5242133-80	4.00 - 7	42-	5242133-92	2.00 - 3	6-	5242285-84	1.00 - 29	39-
5242133-82	1.00 - 3	13-	"	4.00 - 7	43-	5242286-41	4.00 - 13	3-

PartNo.	Page	Item	PartNo.	Page	Item	PartNo.	Page	Item
5242287-15	1.00 - 29	5-	5242324-58	1.00 - 37	43-	5242433-17	1.00 - 33	25-
5242287-16	1.00 - 29	34-	5242324-60	1.00 - 37	13-	"	1.00 - 41	25-
5242287-18	1.00 - 29	4-	5242324-62	1.00 - 37	44-	5242433-18	1.00 - 29	18-
"	3.00 - 17	1-	5242331-09	2.00 - 21	8-	5242433-19	1.00 - 37	21-
5242287-19	1.00 - 29	3-	5242335-56	2.00 - 17	50-	5242433-21	1.00 - 29	24-
"	3.00 - 17	1-	"	2.00 - 21	33-	5242433-22	1.00 - 29	25-
5242288-73	1.00 - 29	14-	5242337-28	4.00 - 25	8-	5242433-24	1.00 - 37	27-
5242288-74	1.00 - 37	17-	5242337-52	5.00 - 11	2-	5242433-25	1.00 - 37	28-
5242289-15	4.00 - 7	12-	5242339-31	2.00 - 17	8-	5242436-95	4.00 - 21	1-
5242289-16	4.00 - 7	13-	5242339-32	2.00 - 17	9-	"	4.00 - 23	1-
5242289-17	4.00 - 7	12-	5242340-47	3.00 - 3	40-	5242436-98	4.00 - 21	2-
5242289-18	4.00 - 7	13-	"	3.00 - 7	40-	"	4.00 - 23	2-
5242292-48	1.00 - 3	19-	5242343-98	1.00 - 41	4-	5242437-02	2.00 - 17	47-
5242298-82	6.00 - 11	8-	5242344-71	3.00 - 3	33-	"	2.00 - 21	25-
"	6.00 - 13	8-	"	3.00 - 7	33-	5242441-57	4.00 - 7	20-
5242298-83	6.00 - 11	2-	5242345-07	2.00 - 3	2-	5242443-28	6.00 - 31	7-
5242307-38	3.00 - 3	19-	5242353-66	5.00 - 3	2-	5242446-50	4.00 - 15	1-
"	3.00 - 7	19-	5242353-78	4.00 - 19	6-	"	4.00 - 17	1-
5242311-39	3.00 - 3	5-	5242356-65	4.00 - 27	20-	5242447-69	6.00 - 31	2-
"	3.00 - 7	5-	5242393-35	4.00 - 7	10-	5242447-70	4.00 - 7	1-
5242311-55	3.00 - 3	10-	5242412-45	2.00 - 17	10-	5242447-71	4.00 - 7	2-
"	3.00 - 7	10-	5242412-46	2.00 - 21	9-	5242447-73	6.00 - 31	3-
"	3.00 - 11	1-	5242412-52	1.00 - 29	13-	5242447-74	6.00 - 31	3-
5242316-23	5.00 - 27	2-	5242412-53	1.00 - 37	16-	5242447-76	6.00 - 31	4-
"	5.00 - 29	2-	5242415-51	4.00 - 7	19-	5242453-23	1.00 - 3	46-
5242316-45	3.00 - 13	10-	5242415-52	4.00 - 7	18-	5242453-76	1.00 - 29	11-
5242316-46	3.00 - 13	6-	5242415-53	4.00 - 7	23-	5242454-73	3.00 - 17	28-
5242317-20	1.00 - 33	26-	5242424-61	2.00 - 29	22-	5242454-74	3.00 - 17	28-
"	1.00 - 41	26-	5242425-48	3.00 - 3	1-	5242454-98	1.00 - 3	1-
5242317-94	3.00 - 13	8-	5242425-50	3.00 - 7	1-	5242454-99	1.00 - 3	1-
5242324-33	1.00 - 29	1-	5242425-52	3.00 - 3	2-	5242456-06	5.00 - 27	1-
5242324-36	1.00 - 29	2-	"	3.00 - 7	2-	"	5.00 - 31	1-
"	1.00 - 33	1-	5242425-61	3.00 - 3	3-	5242456-07	5.00 - 29	1-
5242324-39	1.00 - 29	9-	5242425-63	3.00 - 7	3-	"	5.00 - 33	1-
5242324-41	1.00 - 29	10-	5242425-76	3.00 - 7	4-	5242456-09	5.00 - 27	1-
5242324-44	1.00 - 37	1-	5242429-85	4.00 - 7	33-	"	5.00 - 31	1-
5242324-45	1.00 - 37	1-	5242431-46	4.00 - 7	21-	5242456-10	5.00 - 29	1-
5242324-46	1.00 - 37	1-	5242431-65	1.00 - 37	3-	"	5.00 - 33	1-
5242324-50	1.00 - 37	2-	"	3.00 - 19	1-	5242456-12	5.00 - 27	1-
"	1.00 - 41	1-	5242431-66	1.00 - 37	4-	"	5.00 - 31	1-
5242324-51	1.00 - 37	2-	"	3.00 - 19	1-	5242456-13	5.00 - 29	1-
"	1.00 - 41	1-	5242432-97	3.00 - 3	18-	"	5.00 - 33	1-
5242324-52	1.00 - 37	2-	"	3.00 - 7	18-	5242456-15	5.00 - 27	1-
"	1.00 - 41	1-	5242433-12	1.00 - 33	2-	"	5.00 - 31	1-
5242324-56	1.00 - 37	12-	5242433-14	1.00 - 41	2-	5242456-16	5.00 - 29	1-

PartNo.	Page	Item	PartNo.	Page	Item	PartNo.	Page	Item
"	5.00 - 33	1-	5242483-08	3.00 - 19	40-	"	3.00 - 7	14-
5242456-21	2.00 - 25	8-	5242483-09	3.00 - 19	41-	5242497-58	3.00 - 3	31-
5242456-24	2.00 - 25	11-	5242483-27	5.00 - 3	15-	"	3.00 - 7	31-
5242456-56	2.00 - 25	8-	5242483-74	5.00 - 9	9-	"	6.00 - 33	3-
5242457-56	1.00 - 3	2-	5242484-20	5.00 - 27	16-	5242498-06	3.00 - 3	34-
5242460-23	4.00 - 15	1-	"	5.00 - 29	18-	"	3.00 - 7	34-
"	4.00 - 17	1-	5242486-78	4.00 - 5	1-	5242498-09	3.00 - 13	2-
5242460-24	4.00 - 17	12-	5242486-85	6.00 - 15	15-	5242498-11	3.00 - 13	3-
5242461-23	2.00 - 21	39-	5242490-12	6.00 - 25	12-	5242498-12	3.00 - 13	4-
5242463-36	1.00 - 25	1-	5242490-32	1.00 - 3	12-	5242498-14	3.00 - 13	5-
5242463-37	4.00 - 7	11-	5242490-87	6.00 - 5	8-	5242498-17	3.00 - 13	17-
5242463-75	1.00 - 29	16-	5242490-88	6.00 - 5	9-	5242498-18	3.00 - 13	27-
5242465-56	1.00 - 29	15-	5242490-89	6.00 - 7	5-	5242498-28	3.00 - 3	32-
"	1.00 - 37	18-	5242491-86	4.00 - 7	7-	"	3.00 - 7	32-
5242466-39	3.00 - 3	4-	5242491-87	4.00 - 7	7-	5242498-38	4.00 - 25	7-
5242474-10	6.00 - 19	1-	5242491-88	4.00 - 7	8-	5242498-45	4.00 - 25	9-
5242474-11	6.00 - 19	1-	5242491-92	4.00 - 7	5-	5242498-48	4.00 - 25	1-
5242474-12	6.00 - 19	2-	5242491-93	4.00 - 7	6-	5242498-58	4.00 - 19	13-
5242476-46	1.00 - 41	30-	5242491-94	4.00 - 7	5-	5242498-98	1.00 - 47	5-
5242476-47	1.00 - 41	31-	5242491-95	4.00 - 7	6-	5242499-22	5.00 - 27	4-
5242478-71	3.00 - 13	9-	5242492-02	4.00 - 7	9-	"	5.00 - 29	4-
5242478-72	3.00 - 13	11-	5242492-24	6.00 - 21	10-	5242499-23	5.00 - 27	5-
5242479-07	3.00 - 13	12-	"	6.00 - 23	11-	"	5.00 - 29	5-
5242479-08	4.00 - 13	13-	"	6.00 - 25	10-	5242499-24	5.00 - 29	6-
5242479-38	5.00 - 3	17-	"	6.00 - 27	11-	5242504-35	5.00 - 23	6-
5242479-41	6.00 - 11	14-	"	6.00 - 29	10-	5242504-45	5.00 - 21	6-
5242480-08	6.00 - 13	9-	5242494-11	2.00 - 17	2-	5242504-47	5.00 - 23	15-
5242480-09	6.00 - 13	10-	5242494-12	2.00 - 21	2-	5242504-51	5.00 - 23	15-
5242480-10	6.00 - 13	11-	5242494-13	2.00 - 21	2-	5242504-52	5.00 - 23	15-
5242480-34	5.00 - 35	46-	5242494-22	4.00 - 27	31-	5242504-53	5.00 - 21	15-
5242480-56	4.00 - 3	5-	5242494-24	4.00 - 27	21-	5242504-54	5.00 - 21	15-
5242481-68	6.00 - 9	1-	5242494-25	4.00 - 27	21-	5242504-55	5.00 - 21	15-
5242481-70	6.00 - 31	1-	5242494-26	4.00 - 27	21-	5242504-57	5.00 - 21	5-
5242481-71	6.00 - 31	1-	5242494-27	4.00 - 27	21-	"	5.00 - 23	5-
5242481-75	6.00 - 31	9-	5242494-28	4.00 - 27	21-	5242504-58	5.00 - 21	7-
5242481-76	6.00 - 31	10-	5242494-29	4.00 - 27	21-	"	5.00 - 23	7-
5242481-82	6.00 - 5	6-	5242495-06	2.00 - 17	1-	5242504-73	4.00 - 3	9-
5242481-83	6.00 - 5	7-	5242495-07	2.00 - 21	1-	5242504-74	4.00 - 3	9-
5242481-85	6.00 - 7	2-	5242495-08	2.00 - 21	1-	5242505-41	4.00 - 11	1-
5242481-86	6.00 - 7	3-	5242495-58	1.00 - 25	13-	5242505-42	4.00 - 11	2-
5242481-87	6.00 - 7	4-	"	1.00 - 27	3-	5242505-47	4.00 - 11	1-
5242482-14	3.00 - 13	1-	5242496-19	4.00 - 13	1-	5242505-48	4.00 - 11	2-
5242482-15	4.00 - 25	4-	5242497-32	1.00 - 33	10-	5242506-44	2.00 - 7	45-
5242483-06	3.00 - 19	27-	"	1.00 - 41	10-	5242506-45	2.00 - 7	56-
5242483-07	3.00 - 19	27-	5242497-57	3.00 - 3	14-	5242507-02	4.00 - 13	6-



PartNo.	Page	Item	PartNo.	Page	Item	PartNo.	Page	Item
5242507-09	5.00 - 27	3-	5242522-40	3.00 - 19	1-	5242592-01	2.00 - 3	1-
"	5.00 - 29	3-	5242523-04	1.00 - 21	10-	5242592-02	2.00 - 3	20-
5242507-11	4.00 - 19	1-	5242524-20	5.00 - 9	2-	5242592-11	1.00 - 19	13-
5242507-13	4.00 - 19	1-	5242529-71	4.00 - 19	18-	5242592-16	1.00 - 15	23-
5242507-37	5.00 - 27	9-	"	6.00 - 11	23-	5242592-17	1.00 - 15	24-
"	5.00 - 29	10-	5242530-40	1.00 - 37	37-	5242592-18	1.00 - 15	25-
5242507-40	6.00 - 11	20-	5242530-42	1.00 - 37	7-	5242592-20	1.00 - 15	2-
5242507-62	4.00 - 5	3-	5242542-81	6.00 - 11	9-	5242596-78	5.00 - 11	4-
5242507-63	4.00 - 5	4-	5242544-47	5.00 - 3	21-	5242604-09	4.00 - 17	2-
5242507-65	4.00 - 19	20-	5242544-58	5.00 - 3	23-	5242604-10	4.00 - 17	3-
"	6.00 - 11	22-	5242544-64	5.00 - 5	12-	5242604-11	4.00 - 17	4-
5242507-74	2.00 - 3	19-	5242546-90	6.00 - 15	8-	5242604-12	4.00 - 17	5-
5242507-85	4.00 - 13	7-	5242548-49	5.00 - 9	2-	5242604-13	4.00 - 17	6-
5242508-61	5.00 - 3	13-	5242548-50	4.00 - 13	8-	5242604-14	4.00 - 17	7-
5242508-62	5.00 - 3	14-	5242548-90	2.00 - 17	49-	5242604-15	4.00 - 17	8-
5242508-65	5.00 - 3	5-	"	2.00 - 21	35-	5242604-16	4.00 - 17	9-
5242508-66	5.00 - 3	6-	5242548-91	2.00 - 17	48-	5242604-17	4.00 - 17	10-
5242508-74	3.00 - 13	13-	"	2.00 - 21	36-	5242604-18	4.00 - 17	11-
5242508-75	3.00 - 13	14-	5242552-26	4.00 - 5	2-	5242604-19	4.00 - 17	13-
5242508-81	4.00 - 7	24-	5242552-64	4.00 - 7	40-	5242604-20	4.00 - 17	14-
5242508-91	4.00 - 13	15-	5242554-17	4.00 - 7	37-	5242604-21	4.00 - 17	3-
5242509-14	4.00 - 19	11-	5242557-91	4.00 - 7	36-	5242604-22	4.00 - 17	5-
5242509-18	4.00 - 7	27-	5242559-59	4.00 - 27	32-	5242604-64	1.00 - 19	21-
5242509-19	4.00 - 13	10-	5242568-01	2.00 - 29	1-	5242605-71	5.00 - 27	4-
5242509-20	4.00 - 13	2-	5242568-04	2.00 - 29	21-	"	5.00 - 29	4-
5242511-30	99.00 - 1	1-	5242568-05	2.00 - 29	21-	5242605-72	5.00 - 27	5-
5242512-09	5.00 - 5	7-	5242568-17	2.00 - 29	1-	"	5.00 - 29	5-
"	5.00 - 7	5-	5242568-19	2.00 - 29	3-	5242605-73	5.00 - 29	6-
5242512-10	5.00 - 7	4-	5242568-21	2.00 - 29	23-	5242609-86	1.00 - 41	2-
5242513-23	3.00 - 13	16-	5242568-22	2.00 - 29	23-	5242610-60	1.00 - 3	14-
5242515-38	5.00 - 3	16-	5242570-94	5.00 - 27	3-	5242610-61	1.00 - 3	2-
5242518-86	3.00 - 13	29-	"	5.00 - 29	3-	5242613-08	1.00 - 3	57-
5242518-89	3.00 - 13	28-	5242584-73	6.00 - 15	1-	5242623-65	3.00 - 13	2-
5242519-05	3.00 - 13	7-	5242587-71	2.00 - 25	8-	5242628-41	4.00 - 7	41-
5242520-26	3.00 - 13	37-	5242587-92	2.00 - 25	13-	5242630-00	1.00 - 3	16-
5242520-37	3.00 - 11	20-	5242587-93	2.00 - 25	13-	5242636-33	5.00 - 35	47-
5242520-40	3.00 - 11	13-	5242588-02	2.00 - 25	14-	5242636-34	5.00 - 31	7-
5242520-41	3.00 - 3	47-	5242588-03	2.00 - 25	14-	"	5.00 - 35	38-
"	3.00 - 7	47-	5242588-04	2.00 - 25	14-	5242636-35	5.00 - 31	9-
"	3.00 - 11	14-	5242588-05	2.00 - 25	15-	5242636-37	5.00 - 31	4-
5242520-43	3.00 - 11	18-	5242588-06	2.00 - 25	15-	"	5.00 - 33	10-
5242520-44	3.00 - 11	19-	5242588-07	2.00 - 25	15-	5242636-38	5.00 - 31	10-
5242520-57	3.00 - 3	43-	5242588-08	2.00 - 25	16-	"	5.00 - 33	12-
"	3.00 - 7	43-	5242588-09	2.00 - 25	16-	5242642-73	5.00 - 33	3-
5242522-39	3.00 - 19	1-	5242588-10	2.00 - 25	16-	5242642-74	5.00 - 33	5-

PartNo.	Page	Item	PartNo.	Page	Item	PartNo.	Page	Item
5242642-77	5.00 - 31	6-	5242646-98	5.00 - 35	39-	5242809-97	2.00 - 17	37-
5242642-78	5.00 - 31	8-	5242647-01	5.00 - 35	42-	"	2.00 - 21	27-
5242643-09	5.00 - 31	2-	5242647-02	5.00 - 35	43-	5242821-37	5.00 - 21	15-
"	5.00 - 33	6-	5242647-10	5.00 - 35	44-	5242821-38	5.00 - 21	15-
"	5.00 - 35	1-	5242647-11	5.00 - 35	45-	5242821-39	5.00 - 21	15-
5242643-12	5.00 - 31	2-	5242647-18	5.00 - 39	9-	5242825-53	1.00 - 3	10-
"	5.00 - 33	6-	5242647-23	5.00 - 39	17-	"	1.00 - 15	1-
"	5.00 - 35	1-	5242653-70	5.00 - 7	2-	5242826-60	2.00 - 17	2-
5242643-13	5.00 - 31	2-	5242653-72	5.00 - 7	2-	5242826-62	2.00 - 21	2-
"	5.00 - 33	6-	5242653-73	5.00 - 7	1-	5242826-63	2.00 - 21	2-
"	5.00 - 35	1-	5242653-85	5.00 - 13	1-	5242831-42	4.00 - 7	9-
5242643-14	5.00 - 33	7-	5242664-32	1.00 - 3	6-	5242835-48	1.00 - 3	10-
"	5.00 - 39	1-	"	1.00 - 7	5-	"	1.00 - 7	3-
5242643-15	5.00 - 33	8-	"	1.00 - 11	5-	"	1.00 - 11	3-
"	5.00 - 41	1-	5242676-28	3.00 - 13	8-	"	1.00 - 15	1-
5242643-16	5.00 - 31	3-	5242680-52	3.00 - 13	23-	5242835-49	1.00 - 3	11-
"	5.00 - 39	1-	5242685-92	4.00 - 7	26-	"	1.00 - 7	4-
5242643-19	5.00 - 33	7-	5242703-52	4.00 - 13	7-	"	1.00 - 11	4-
"	5.00 - 39	1-	5242707-43	4.00 - 17	15-	"	1.00 - 15	1-
5242643-20	5.00 - 31	3-	5242725-71	5.00 - 5	7-	5242840-75	1.00 - 41	30-
"	5.00 - 39	1-	5242735-95	1.00 - 29	6-	5242842-36	1.00 - 3	2-
5242643-21	5.00 - 33	7-	"	1.00 - 37	9-	5242842-37	1.00 - 3	16-
"	5.00 - 39	1-	5242742-47	6.00 - 3	2-	5242850-78	1.00 - 3	14-
5242643-22	5.00 - 31	3-	5242749-80	1.00 - 29	44-	5242856-27	3.00 - 13	1-
"	5.00 - 39	1-	"	1.00 - 37	47-	5242856-28	3.00 - 13	2-
5242643-24	6.00 - 11	15-	5242773-63	4.00 - 7	12-	5242856-63	4.00 - 13	10-
5242645-04	4.00 - 19	1-	5242773-64	4.00 - 7	13-	5242860-13	3.00 - 3	45-
5242645-06	4.00 - 19	1-	5242773-65	4.00 - 7	12-	"	3.00 - 7	44-
5242645-15	4.00 - 7	9-	5242773-66	4.00 - 7	13-	5242874-60	2.00 - 3	18-
5242646-64	5.00 - 35	10-	5242774-26	2.00 - 3	1-	"	2.00 - 13	1-
"	5.00 - 39	10-	5242774-27	2.00 - 3	20-	5242893-59	1.00 - 15	12-
"	5.00 - 41	10-	5242780-43	2.00 - 3	19-	5242924-93	1.00 - 37	3-
5242646-68	5.00 - 35	14-	5242786-75	2.00 - 3	1-	"	3.00 - 19	1-
5242646-70	5.00 - 35	16-	5242788-14	4.00 - 19	1-	5242924-94	1.00 - 37	4-
5242646-72	5.00 - 35	18-	5242788-16	4.00 - 19	1-	"	3.00 - 19	1-
5242646-73	5.00 - 35	19-	5242794-89	4.00 - 3	8-	5242927-82	6.00 - 19	2-
5242646-74	5.00 - 35	20-	"	4.00 - 3	8-	5242940-11	4.00 - 5	1-
5242646-79	5.00 - 35	23-	5242806-48	5.00 - 3	5-	5242953-97	1.00 - 29	18-
5242646-81	5.00 - 35	24-	5242806-49	5.00 - 3	6-	5242953-98	1.00 - 37	21-
5242646-83	5.00 - 35	26-	5242807-04	1.00 - 47	5-	5242960-79	3.00 - 13	34-
5242646-86	5.00 - 35	28-	5242807-99	5.00 - 5	6-	5242962-09	6.00 - 31	1-
5242646-87	5.00 - 35	29-	5242808-09	3.00 - 3	4-	5242962-10	6.00 - 31	1-
5242646-89	5.00 - 35	31-	5242808-30	3.00 - 3	1-	5242967-41	2.00 - 3	1-
5242646-94	5.00 - 35	35-	5242809-84	2.00 - 21	2-	5242967-42	2.00 - 3	20-
5242646-95	5.00 - 35	36-	5242809-85	2.00 - 21	2-	5242968-89	2.00 - 21	2-

PartNo.	Page	Item	PartNo.	Page	Item	PartNo.	Page	Item
5242978-27	3.00 - 19	1-	5243064-80	2.00 - 3	19-	5243176-46	2.00 - 3	1-
5242978-28	3.00 - 19	1-	"	2.00 - 3	19-	5243179-11	1.00 - 7	21-
5242978-29	3.00 - 19	2-	5243101-21	3.00 - 3	19-	"	1.00 - 11	21-
5242978-30	3.00 - 19	2-	"	3.00 - 7	19-	5243182-02	1.00 - 7	37-
5242979-44	2.00 - 3	1-	5243110-69	1.00 - 7	1-	"	1.00 - 11	37-
5242979-45	2.00 - 3	19-	5243113-36	4.00 - 15	1-	5243182-30	1.00 - 7	1-
5242980-61	3.00 - 3	1-	"	4.00 - 17	1-	5243182-34	1.00 - 3	57-
5242980-63	3.00 - 7	1-	5243113-37	4.00 - 17	5-	"	1.00 - 7	53-
5242983-49	2.00 - 3	1-	5243113-38	4.00 - 17	7-	"	1.00 - 11	53-
5242983-50	2.00 - 3	19-	5243113-39	4.00 - 15	1-	5243182-80	5.00 - 35	46-
5242992-94	3.00 - 3	2-	"	4.00 - 17	1-	5243195-48	2.00 - 21	42-
"	3.00 - 7	2-	5243113-40	4.00 - 17	5-	5243200-91	4.00 - 15	1-
5243012-36	1.00 - 3	15-	5243113-56	4.00 - 17	8-	"	4.00 - 17	1-
"	1.00 - 7	50-	5243113-57	4.00 - 17	9-	5243200-92	4.00 - 15	1-
"	1.00 - 7	60-	5243115-63	1.00 - 49	1-	"	4.00 - 17	1-
"	1.00 - 11	50-	"	2.00 - 29	41-	5243201-32	4.00 - 17	3-
"	1.00 - 11	63-	5243115-64	1.00 - 49	9-	5243201-33	4.00 - 17	5-
"	1.00 - 33	23-	"	2.00 - 29	43-	5243201-35	4.00 - 17	9-
"	1.00 - 41	23-	5243115-65	1.00 - 49	29-	5243201-36	4.00 - 17	3-
5243020-70	1.00 - 7	2-	5243115-66	1.00 - 49	36-	5243201-37	4.00 - 17	5-
"	1.00 - 11	2-	5243115-67	2.00 - 29	21-	5243229-12	2.00 - 21	1-
5243020-71	1.00 - 7	19-	5243115-68	2.00 - 29	23-	5243234-37	6.00 - 3	20-
"	1.00 - 11	19-	5243115-71	2.00 - 29	1-	5243238-75	6.00 - 23	4-
5243020-87	5.00 - 27	3-	5243115-72	2.00 - 29	3-	"	6.00 - 27	4-
"	5.00 - 29	3-	5243115-81	1.00 - 49	46-	5243241-97	2.00 - 21	1-
5243021-51	6.00 - 3	18-	5243115-82	1.00 - 49	54-	5243255-06	6.00 - 23	6-
5243030-96	1.00 - 7	15-	5243115-83	2.00 - 29	61-	"	6.00 - 27	6-
"	1.00 - 11	15-	5243115-84	2.00 - 29	63-	5243258-03	4.00 - 13	13-
5243030-97	1.00 - 7	18-	5243116-64	6.00 - 35	11-	5243258-24	1.00 - 33	25-
"	1.00 - 11	18-	"	6.00 - 37	12-	"	1.00 - 41	25-
5243036-28	1.00 - 7	22-	5243116-65	6.00 - 35	3-	5243260-74	1.00 - 33	25-
"	1.00 - 11	22-	5243116-69	6.00 - 37	3-	"	1.00 - 41	25-
5243037-90	3.00 - 3	14-	5243116-70	6.00 - 37	5-	5243266-46	1.00 - 29	2-
"	3.00 - 7	14-	5243120-33	4.00 - 17	3-	"	1.00 - 33	1-
5243038-72	3.00 - 3	1-	5243120-34	4.00 - 17	3-	5243266-62	1.00 - 29	1-
5243038-75	3.00 - 7	1-	5243132-42	2.00 - 21	39-	5243266-67	1.00 - 37	2-
5243050-08	4.00 - 19	19-	5243132-46	2.00 - 21	41-	"	1.00 - 41	1-
5243058-92	2.00 - 13	2-	5243135-67	1.00 - 7	25-	5243266-68	1.00 - 37	2-
5243058-93	2.00 - 13	3-	"	1.00 - 11	25-	"	1.00 - 41	1-
5243058-95	2.00 - 13	4-	5243144-99	5.00 - 35	45-	5243266-69	1.00 - 37	2-
5243058-96	2.00 - 13	5-	5243145-33	1.00 - 3	29-	"	1.00 - 41	1-
5243062-31	3.00 - 3	1-	"	1.00 - 7	30-	5243266-73	1.00 - 37	1-
5243062-32	3.00 - 7	1-	"	1.00 - 11	30-	5243266-74	1.00 - 37	1-
5243062-35	3.00 - 3	2-	"	1.00 - 21	1-	5243266-75	1.00 - 37	1-
"	3.00 - 7	2-	5243170-77	2.00 - 21	8-	5243272-99	4.00 - 17	8-

PartNo.	Page	Item	PartNo.	Page	Item	PartNo.	Page	Item
5243332-62	3.00 - 3	4-	5500170-78	4.00 - 13	11-	5500340-99	3.00 - 7	1-
5243334-68	4.00 - 5	2-	5500179-68	1.00 - 47	1-	5500353-48	2.00 - 3	17-
5243337-60	2.00 - 3	2-	5500203-17	1.00 - 11	1-	"	2.00 - 7	1-
5243354-74	2.00 - 17	1-	5500212-12	2.00 - 25	11-	5500353-49	2.00 - 3	17-
5243358-03	2.00 - 25	14-	5500212-23	2.00 - 27	15-	"	2.00 - 7	1-
5243384-75	4.00 - 3	5-	5500212-24	2.00 - 27	15-	5500353-50	2.00 - 3	17-
5500016-23	2.00 - 21	1-	5500212-25	2.00 - 27	15-	"	2.00 - 7	1-
5500046-96	1.00 - 29	4-	5500212-28	2.00 - 27	14-	5500353-96	2.00 - 7	56-
"	3.00 - 17	1-	5500212-29	2.00 - 27	14-	5500364-00	3.00 - 3	48-
5500046-97	1.00 - 29	3-	5500212-30	2.00 - 27	14-	"	3.00 - 7	48-
"	3.00 - 17	1-	5500216-56	1.00 - 29	5-	5500373-81	1.00 - 29	35-
5500047-00	3.00 - 17	24-	5500216-57	1.00 - 29	34-	5500376-86	2.00 - 17	1-
5500047-01	3.00 - 17	24-	5500238-99	1.00 - 29	2-	5500376-89	2.00 - 21	1-
5500049-26	2.00 - 29	4-	"	1.00 - 33	1-	5500376-92	2.00 - 21	1-
5500049-29	2.00 - 29	16-	5500239-01	1.00 - 37	2-	5500394-39	1.00 - 37	42-
5500049-34	2.00 - 29	3-	"	1.00 - 41	1-	5500413-04	2.00 - 21	1-
5500049-35	2.00 - 29	3-	5500239-02	1.00 - 37	2-	5800003-29	1.00 - 49	8-
5500049-36	2.00 - 29	3-	"	1.00 - 41	1-	"	1.00 - 49	53-
5500049-39	2.00 - 29	1-	5500239-03	1.00 - 37	2-	"	2.00 - 29	5-
5500049-40	2.00 - 29	1-	"	1.00 - 41	1-	"	2.00 - 29	25-
5500049-41	2.00 - 29	1-	5500239-04	1.00 - 33	2-	"	2.00 - 29	42-
5500049-54	2.00 - 29	11-	5500239-05	1.00 - 41	2-	"	2.00 - 29	62-
5500054-80	2.00 - 3	5-	5500249-42	5.00 - 35	51-	5800010-08	4.00 - 27	19-
"	2.00 - 15	1-	"	5.00 - 39	22-	5800065-30	3.00 - 13	34-
5500055-11	4.00 - 7	5-	"	5.00 - 41	19-	5800065-31	3.00 - 13	35-
5500055-12	4.00 - 7	6-	5500253-55	4.00 - 19	9-	5800069-02	4.00 - 27	12-
5500055-13	4.00 - 7	5-	5500253-60	3.00 - 13	46-	5800080-64	4.00 - 27	3-
5500055-14	4.00 - 7	6-	5500254-28	1.00 - 49	46-	5800105-44	6.00 - 23	12-
5500095-02	6.00 - 11	18-	5500262-17	6.00 - 17	1-	5800121-54	5.00 - 21	12-
5500095-03	6.00 - 11	19-	5500263-15	6.00 - 39	1-	"	5.00 - 23	12-
5500109-95	3.00 - 3	19-	5500294-11	1.00 - 29	1-	5800121-57	5.00 - 21	12-
"	3.00 - 7	19-	5500294-13	1.00 - 37	1-	5800121-59	5.00 - 21	14-
5500135-01	3.00 - 3	57-	5500294-14	1.00 - 37	1-	"	5.00 - 23	14-
"	3.00 - 7	57-	5500294-15	1.00 - 37	1-	5800227-46	1.00 - 41	32-
5500141-49	2.00 - 3	17-	5500329-06	3.00 - 3	14-	5800255-67	6.00 - 5	2-
"	2.00 - 7	1-	"	3.00 - 7	14-	5800255-69	6.00 - 5	3-
5500141-50	2.00 - 3	17-	5500334-05	3.00 - 3	14-	5800259-88	4.00 - 27	17-
"	2.00 - 7	1-	"	3.00 - 7	14-	5800260-15	4.00 - 27	11-
5500141-51	2.00 - 3	17-	5500334-06	3.00 - 3	50-	5800260-67	4.00 - 27	13-
"	2.00 - 7	1-	"	3.00 - 7	50-	5800328-66	1.00 - 29	22-
5500163-57	1.00 - 7	28-	5500339-79	2.00 - 25	16-	"	1.00 - 37	25-
"	1.00 - 11	28-	"	2.00 - 27	13-	5800329-73	1.00 - 47	4-
"	1.00 - 19	1-	5500339-80	2.00 - 25	16-	5800329-75	1.00 - 33	28-
5500163-59	1.00 - 19	21-	"	2.00 - 27	13-	"	1.00 - 41	28-
5500163-60	1.00 - 19	22-	5500340-98	3.00 - 3	1-	5800333-39	1.00 - 47	3-

PartNo.	Page	Item	PartNo.	Page	Item	PartNo.	Page	Item
5800338-76	1.00 - 33	15-	5800513-34	3.00 - 19	42-	5800645-19	3.00 - 19	2-
"	1.00 - 41	15-	5800513-35	3.00 - 19	43-	5800645-95	1.00 - 45	10-
5800338-77	1.00 - 33	15-	5800513-36	1.00 - 45	9-	5800652-91	2.00 - 3	28-
"	1.00 - 41	15-	5800513-37	1.00 - 45	8-	5800652-93	6.00 - 11	11-
5800338-78	1.00 - 33	15-	5800523-77	3.00 - 11	15-	5800652-94	6.00 - 11	12-
"	1.00 - 41	15-	5800523-78	3.00 - 11	16-	5800655-08	5.00 - 19	1-
5800338-79	1.00 - 33	15-	5800523-79	3.00 - 11	17-	"	5.00 - 23	1-
"	1.00 - 41	15-	5800540-28	5.00 - 21	13-	5800655-09	5.00 - 19	1-
5800338-80	1.00 - 33	15-	"	5.00 - 23	13-	"	5.00 - 23	1-
"	1.00 - 41	15-	5800540-34	5.00 - 23	12-	5800655-10	5.00 - 19	1-
5800343-10	1.00 - 33	11-	5800551-93	1.00 - 15	5-	"	5.00 - 23	1-
5800343-11	1.00 - 33	11-	5800551-95	1.00 - 15	6-	5800655-11	5.00 - 17	1-
5800343-12	1.00 - 33	11-	5800551-96	1.00 - 15	7-	"	5.00 - 21	1-
5800343-13	1.00 - 33	11-	5800552-02	1.00 - 15	19-	5800655-12	5.00 - 17	1-
5800347-54	1.00 - 33	27-	5800552-03	1.00 - 15	20-	"	5.00 - 21	1-
"	1.00 - 41	27-	5800552-04	1.00 - 15	22-	5800655-13	5.00 - 17	1-
5800348-89	1.00 - 33	24-	5800552-13	1.00 - 15	16-	"	5.00 - 21	1-
"	1.00 - 41	24-	5800552-14	1.00 - 15	17-	5800658-98	1.00 - 41	6-
5800351-37	1.00 - 33	6-	5800552-16	1.00 - 15	14-	"	1.00 - 45	1-
"	1.00 - 35	1-	5800553-13	4.00 - 27	15-	5800659-39	6.00 - 21	2-
5800355-40	1.00 - 33	5-	5800553-24	4.00 - 27	15-	5800659-40	6.00 - 25	2-
5800365-75	6.00 - 5	4-	5800553-33	4.00 - 27	15-	5800659-41	6.00 - 29	2-
5800366-20	1.00 - 29	38-	5800558-00	1.00 - 33	31-	5800659-42	6.00 - 25	13-
5800378-36	1.00 - 33	21-	"	1.00 - 41	34-	5800659-43	6.00 - 19	8-
"	1.00 - 41	21-	5800558-46	5.00 - 21	12-	5800659-44	6.00 - 19	8-
5800387-56	1.00 - 41	5-	5800565-14	4.00 - 27	16-	5800659-45	6.00 - 19	8-
5800407-87	1.00 - 15	11-	5800565-15	4.00 - 27	16-	5800659-46	6.00 - 19	9-
5800407-96	1.00 - 15	19-	5800573-14	1.00 - 49	27-	5800659-47	6.00 - 19	9-
5800408-82	1.00 - 41	11-	5800573-16	1.00 - 49	72-	5800659-48	6.00 - 19	9-
5800408-83	1.00 - 41	11-	5800583-56	4.00 - 27	7-	5800665-06	2.00 - 17	3-
5800408-84	1.00 - 41	11-	5800587-72	4.00 - 27	18-	"	2.00 - 25	1-
5800408-85	1.00 - 41	11-	5800588-20	4.00 - 27	1-	5800665-07	2.00 - 21	3-
5800430-31	6.00 - 5	5-	5800602-25	1.00 - 35	7-	"	2.00 - 25	1-
5800451-95	1.00 - 47	1-	5800602-32	1.00 - 35	6-	5800665-08	2.00 - 21	3-
5800486-35	4.00 - 27	12-	5800602-89	1.00 - 35	4-	"	2.00 - 25	1-
5800511-78	3.00 - 3	8-	5800603-21	3.00 - 17	1-	5800667-77	1.00 - 37	45-
"	3.00 - 7	8-	5800603-22	3.00 - 17	1-	5800667-78	1.00 - 37	46-
5800513-20	3.00 - 19	3-	5800603-23	3.00 - 17	13-	5800667-79	5.00 - 19	5-
5800513-23	3.00 - 19	24-	5800607-51	1.00 - 3	11-	5800678-71	6.00 - 21	1-
5800513-28	3.00 - 19	36-	"	1.00 - 15	1-	"	6.00 - 25	1-
5800513-29	3.00 - 19	37-	5800607-57	1.00 - 15	12-	"	6.00 - 29	1-
5800513-30	3.00 - 19	38-	5800620-90	1.00 - 35	8-	5800726-45	3.00 - 13	28-
5800513-31	3.00 - 19	39-	5800629-98	3.00 - 19	6-	5800735-68	4.00 - 27	30-
5800513-32	3.00 - 19	40-	5800629-99	3.00 - 19	6-	5800735-69	4.00 - 27	30-
5800513-33	3.00 - 19	41-	5800645-18	3.00 - 19	2-	5800751-50	6.00 - 19	8-

PartNo.	Page	Item	PartNo.	Page	Item	PartNo.	Page	Item
5800751-51	6.00 - 19	8-	5800916-83	6.00 - 9	1-	"	2.00 - 29	5-
5800751-52	6.00 - 19	8-	5800916-85	6.00 - 23	1-	"	2.00 - 29	25-
5800755-49	6.00 - 23	29-	"	6.00 - 27	1-	"	2.00 - 29	42-
"	6.00 - 27	29-	5800916-86	6.00 - 23	2-	"	2.00 - 29	62-
5800769-26	1.00 - 3	11-	5800916-87	6.00 - 27	3-	9000133-00	1.00 - 33	9-
"	1.00 - 15	1-	5800916-90	6.00 - 33	2-	"	1.00 - 41	9-
5800770-19	4.00 - 27	12-	5800927-20	6.00 - 3	19-	9000172-69	4.00 - 27	14-
5800771-85	5.00 - 17	1-	5800927-21	6.00 - 3	19-	9000172-70	4.00 - 27	14-
"	5.00 - 21	1-	5800927-22	6.00 - 3	19-	9000948-26	3.00 - 17	26-
5800771-86	5.00 - 17	1-	5800927-23	6.00 - 3	19-	9000948-42	3.00 - 17	8-
"	5.00 - 21	1-	5800935-34	2.00 - 17	3-	9001098-16	6.00 - 13	6-
5800771-87	5.00 - 17	1-	"	2.00 - 25	1-	9001263-01	2.00 - 17	35-
"	5.00 - 21	1-	5820026-22	6.00 - 3	19-	9001263-07	1.00 - 49	55-
5800775-73	4.00 - 27	41-	5820026-23	6.00 - 3	19-	"	1.00 - 49	62-
5800775-74	4.00 - 27	41-	5820040-06	1.00 - 49	20-	"	1.00 - 49	66-
5800776-92	4.00 - 27	1-	"	1.00 - 49	24-	"	1.00 - 49	70-
5800785-20	4.00 - 27	41-	5820040-10	1.00 - 49	65-	9001263-08	1.00 - 49	10-
5800785-21	4.00 - 27	41-	"	1.00 - 49	68-	"	1.00 - 49	17-
5800785-22	4.00 - 27	42-	5820081-39	6.00 - 3	19-	"	1.00 - 49	21-
5800785-23	4.00 - 27	42-	5820081-40	6.00 - 3	19-	"	1.00 - 49	25-
5800795-04	4.00 - 27	7-	5820081-41	6.00 - 3	19-	"	1.00 - 49	37-
5800811-00	6.00 - 21	1-	5820081-42	6.00 - 3	19-	"	2.00 - 21	46-
"	6.00 - 23	21-	5820095-60	2.00 - 17	3-	9002148-15	5.00 - 35	22-
"	6.00 - 25	1-	"	2.00 - 27	1-	9002474-00	1.00 - 49	49-
"	6.00 - 27	21-	5820095-61	2.00 - 21	3-	"	1.00 - 49	58-
"	6.00 - 29	1-	"	2.00 - 27	1-	9002918-22	4.00 - 7	29-
5800855-53	6.00 - 29	2-	5820095-62	2.00 - 21	3-	9003058-03	6.00 - 21	11-
5800868-54	4.00 - 27	14-	"	2.00 - 27	1-	"	6.00 - 25	11-
5800868-55	4.00 - 27	30-	9000012-01	3.00 - 3	23-	9003201-00	1.00 - 29	20-
5800868-57	4.00 - 27	42-	9000032-31	1.00 - 29	29-	"	1.00 - 37	23-
5800875-99	4.00 - 27	41-	"	1.00 - 37	32-	9003968-03	4.00 - 25	10-
5800879-15	4.00 - 27	40-	9000042-67	1.00 - 49	8-	9004888-26	3.00 - 19	26-
5800879-92	4.00 - 27	5-	"	1.00 - 49	53-	9004888-27	3.00 - 19	23-
5800880-05	6.00 - 35	2-	"	2.00 - 29	5-	9004888-34	3.00 - 19	34-
"	6.00 - 37	2-	"	2.00 - 29	25-	9004888-35	3.00 - 19	35-
5800880-06	6.00 - 35	4-	"	2.00 - 29	42-	9004888-36	3.00 - 19	29-
5800880-07	6.00 - 37	4-	"	2.00 - 29	62-	9005251-00	2.00 - 17	34-
5800880-08	6.00 - 35	9-	9000074-00	1.00 - 49	4-	9007153-00	5.00 - 25	15-
5800880-09	6.00 - 35	10-	"	1.00 - 49	16-	9008708-15	3.00 - 17	9-
5800880-10	6.00 - 37	9-	"	2.00 - 29	46-	9009558-09	3.00 - 19	20-
5800880-11	6.00 - 37	11-	"	2.00 - 29	56-	9011628-28	6.00 - 13	12-
5800880-12	6.00 - 37	10-	9000084-00	1.00 - 49	31-	9011628-32	6.00 - 13	2-
5800885-84	6.00 - 9	1-	9000092-52	1.00 - 49	8-	9011628-33	6.00 - 13	3-
5800888-89	6.00 - 35	1-	"	1.00 - 49	35-	9011628-34	6.00 - 13	4-
"	6.00 - 37	1-	"	1.00 - 49	53-	9011628-35	6.00 - 13	7-

PartNo.	Page	Item	PartNo.	Page	Item	PartNo.	Page	Item
9011628-39	6.00 - 13	2-	9024818-07	5.00 - 35	7-	"	6.00 - 25	14-
9012028-06	3.00 - 19	15-	"	5.00 - 39	7-	"	6.00 - 27	13-
9012028-08	3.00 - 19	16-	"	5.00 - 41	7-	"	6.00 - 27	28-
9012508-68	5.00 - 35	37-	9024818-08	5.00 - 35	8-	"	6.00 - 29	11-
9012631-03	6.00 - 11	13-	"	5.00 - 39	8-	"	6.00 - 35	8-
9015814-00	2.00 - 29	16-	"	5.00 - 41	8-	"	6.00 - 37	8-
9018828-02	1.00 - 19	10-	9024818-09	5.00 - 35	9-	9032591-04	6.00 - 21	13-
9018828-14	1.00 - 19	14-	"	5.00 - 41	9-	"	6.00 - 23	14-
9018828-23	1.00 - 19	6-	9024818-11	5.00 - 39	11-	"	6.00 - 25	15-
9018828-24	1.00 - 19	7-	"	5.00 - 41	11-	"	6.00 - 27	14-
9020498-04	1.00 - 17	5-	9024818-12	5.00 - 39	12-	"	6.00 - 29	12-
9020528-02	1.00 - 19	3-	"	5.00 - 41	12-	9037583-00	1.00 - 37	41-
9021851-77	5.00 - 3	3-	9024818-14	5.00 - 35	11-	9037753-00	2.00 - 21	45-
9021948-01	3.00 - 17	4-	"	5.00 - 39	14-	9037941-00	5.00 - 3	7-
9021948-02	3.00 - 17	4-	"	5.00 - 41	14-	9038111-00	3.00 - 7	23-
9021948-03	3.00 - 17	5-	9024818-15	5.00 - 35	12-	9038674-01	1.00 - 49	11-
9021948-04	3.00 - 17	2-	"	5.00 - 39	15-	"	2.00 - 29	51-
9021948-05	3.00 - 17	24-	"	5.00 - 41	15-	9038694-01	1.00 - 49	56-
9021948-06	3.00 - 17	24-	9024818-16	5.00 - 35	13-	9038714-00	2.00 - 29	4-
9021948-08	3.00 - 17	10-	9024848-03	5.00 - 31	5-	9040794-25	5.00 - 7	6-
9021948-09	3.00 - 17	27-	"	5.00 - 31	5-	9040794-28	5.00 - 7	4-
9021948-10	3.00 - 17	14-	"	5.00 - 33	11-	"	5.00 - 7	6-
9021948-11	3.00 - 17	11-	"	5.00 - 33	11-	9040804-55	5.00 - 5	2-
9021948-40	3.00 - 17	6-	9025108-03	2.00 - 11	2-	9040804-56	5.00 - 5	1-
9022308-02	1.00 - 23	3-	9025108-04	2.00 - 11	3-	9040804-74	5.00 - 7	1-
9022361-03	5.00 - 3	18-	9025108-05	2.00 - 11	7-	9041241-01	5.00 - 9	15-
9022361-04	5.00 - 11	10-	9032403-08	4.00 - 25	3-	9041241-02	5.00 - 9	12-
9022368-08	1.00 - 19	9-	9032591-02	1.00 - 29	46-	"	5.00 - 11	9-
9022368-15	1.00 - 19	16-	"	1.00 - 37	49-	9041241-03	5.00 - 9	13-
9022368-17	1.00 - 19	18-	"	3.00 - 3	46-	9041651-00	3.00 - 17	7-
9022548-06	1.00 - 45	7-	"	3.00 - 7	45-	9043104-02	4.00 - 7	17-
9022838-51	2.00 - 25	16-	"	6.00 - 15	13-	"	6.00 - 3	23-
"	2.00 - 27	13-	9032591-03	3.00 - 13	42-	9043301-00	1.00 - 3	44-
9022993-00	5.00 - 25	16-	"	3.00 - 13	42-	"	1.00 - 7	36-
9023808-07	1.00 - 17	8-	"	5.00 - 3	26-	"	1.00 - 11	36-
9023948-03	1.00 - 19	4-	"	5.00 - 5	13-	9045751-01	1.00 - 49	3-
9023948-50	1.00 - 19	20-	"	5.00 - 7	13-	"	2.00 - 29	45-
9024568-01	2.00 - 3	24-	"	5.00 - 9	14-	9045751-02	1.00 - 49	30-
9024568-02	2.00 - 3	25-	"	5.00 - 13	6-	"	2.00 - 29	65-
9024568-03	2.00 - 3	26-	"	5.00 - 15	7-	9045751-03	1.00 - 49	48-
9024738-01	5.00 - 33	2-	"	5.00 - 25	14-	9045751-05	2.00 - 29	2-
9024738-03	5.00 - 33	4-	"	6.00 - 21	12-	9045751-14	1.00 - 49	19-
9024818-04	5.00 - 35	4-	"	6.00 - 23	13-	9045771-03	1.00 - 49	48-
"	5.00 - 39	4-	"	6.00 - 23	28-	9050491-01	4.00 - 27	4-
"	5.00 - 41	4-	"	6.00 - 25	14-	9058334-02	1.00 - 49	2-

PartNo.	Page	Item	PartNo.	Page	Item	PartNo.	Page	Item
"	2.00 - 29	44-	"	6.00 - 31	8-	9099424-04	5.00 - 17	4-
9058334-03	1.00 - 49	47-	9099044-08	4.00 - 21	3-	9099554-04	2.00 - 17	42-
9061501-00	2.00 - 17	17-	"	4.00 - 23	3-	"	2.00 - 21	32-
9061731-00	4.00 - 27	5-	"	4.00 - 25	6-	9099554-09	3.00 - 13	36-
9061961-00	1.00 - 33	14-	9099044-09	6.00 - 31	6-	9099594-01	5.00 - 27	11-
9062681-00	1.00 - 49	5-	9099064-04	2.00 - 17	31-	"	5.00 - 29	12-
"	1.00 - 49	14-	"	2.00 - 21	42-	9099594-03	3.00 - 3	17-
"	1.00 - 49	32-	9099074-01	4.00 - 7	41-	"	3.00 - 3	26-
"	2.00 - 29	8-	9099104-09	4.00 - 7	16-	"	3.00 - 3	52-
"	2.00 - 29	14-	9099134-01	1.00 - 25	4-	"	3.00 - 7	17-
"	2.00 - 29	47-	"	1.00 - 25	15-	"	3.00 - 7	26-
"	2.00 - 29	54-	9099134-02	1.00 - 25	15-	"	3.00 - 7	52-
9063996-00	2.00 - 17	28-	9099184-03	1.00 - 3	30-	"	3.00 - 13	33-
9064684-00	6.00 - 17	1-	"	1.00 - 7	31-	9099594-05	3.00 - 3	13-
9066461-00	1.00 - 49	50-	"	1.00 - 11	31-	"	3.00 - 7	13-
"	1.00 - 49	61-	9099184-12	4.00 - 19	5-	"	5.00 - 27	8-
9072814-00	1.00 - 49	64-	9099194-01	1.00 - 3	36-	"	5.00 - 29	9-
9075353-03	3.00 - 3	44-	"	1.00 - 3	54-	9099644-01	1.00 - 41	7-
"	3.00 - 7	46-	"	1.00 - 7	41-	9099704-01	3.00 - 13	26-
9075353-26	3.00 - 3	44-	"	1.00 - 11	41-	9099704-03	5.00 - 27	18-
"	3.00 - 7	46-	"	1.00 - 33	33-	"	5.00 - 29	20-
9075353-27	3.00 - 3	44-	"	1.00 - 41	36-	9102291-01	5.00 - 25	5-
"	3.00 - 7	46-	9099194-03	1.00 - 3	37-	9102711-02	1.00 - 3	17-
9075681-00	1.00 - 37	15-	"	1.00 - 7	44-	"	1.00 - 7	24-
9079684-05	2.00 - 3	23-	"	1.00 - 11	44-	"	1.00 - 11	24-
9080761-00	1.00 - 29	12-	9099194-04	1.00 - 7	48-	9105211-02	2.00 - 21	23-
"	1.00 - 33	7-	"	1.00 - 11	48-	9105211-03	2.00 - 21	24-
9083113-01	5.00 - 15	1-	9099304-06	1.00 - 3	4-	9105431-03	6.00 - 11	19-
9083113-15	5.00 - 13	2-	"	1.00 - 7	7-	9105431-05	4.00 - 19	16-
9083113-25	5.00 - 15	2-	"	1.00 - 11	7-	9105431-08	4.00 - 19	16-
9086474-03	3.00 - 3	41-	9099304-14	1.00 - 3	7-	9105444-00	4.00 - 25	2-
"	3.00 - 7	41-	"	1.00 - 7	8-	9105901-00	4.00 - 3	2-
9087131-00	3.00 - 3	12-	"	1.00 - 11	8-	9106153-03	5.00 - 15	5-
"	3.00 - 7	12-	9099314-01	2.00 - 21	22-	9108491-01	3.00 - 13	43-
9090193-02	2.00 - 17	24-	9099324-01	1.00 - 33	8-	"	3.00 - 13	43-
9090193-03	2.00 - 17	25-	9099324-02	1.00 - 41	8-	9108491-03	3.00 - 13	44-
9090861-03	3.00 - 13	30-	9099324-03	1.00 - 37	38-	9108491-04	1.00 - 29	45-
9094683-02	5.00 - 5	8-	9099324-04	1.00 - 37	39-	"	1.00 - 37	48-
"	5.00 - 7	8-	9099324-05	2.00 - 17	29-	"	3.00 - 13	44-
"	5.00 - 13	3-	9099324-06	2.00 - 17	27-	"	5.00 - 3	25-
"	5.00 - 15	4-	9099324-08	2.00 - 21	20-	9108533-00	5.00 - 27	17-
"	6.00 - 35	5-	9099324-09	1.00 - 29	36-	"	5.00 - 29	19-
9097906-16	1.00 - 49	47-	9099324-17	2.00 - 21	38-	9112233-00	1.00 - 3	49-
9098974-05	3.00 - 13	21-	9099324-30	2.00 - 21	40-	"	1.00 - 7	51-
9099044-03	4.00 - 7	3-	9099324-38	1.00 - 41	14-	"	1.00 - 11	51-



PartNo.	Page	Item	PartNo.	Page	Item	PartNo.	Page	Item
9113354-00	5.00 - 25	10-	9166673-00	2.00 - 17	46-	9216823-00	3.00 - 13	24-
9113584-00	1.00 - 3	48-	"	2.00 - 21	49-	9216833-00	3.00 - 13	25-
"	1.00 - 7	49-	9167483-57	4.00 - 7	36-	9217873-00	2.00 - 17	30-
"	1.00 - 11	49-	9169713-01	4.00 - 13	14-	"	2.00 - 21	41-
9114591-00	4.00 - 21	4-	9169926-05	1.00 - 49	46-	9218019-02	5.00 - 17	6-
"	4.00 - 23	4-	9169926-07	1.00 - 49	46-	9218019-17	1.00 - 29	8-
"	4.00 - 25	5-	9169936-05	1.00 - 49	1-	"	1.00 - 37	11-
9116674-07	5.00 - 7	3-	"	2.00 - 29	41-	9219493-00	1.00 - 29	35-
9116674-18	5.00 - 7	3-	9169936-07	1.00 - 49	1-	9221813-00	1.00 - 29	23-
"	5.00 - 7	5-	"	2.00 - 29	41-	"	1.00 - 37	26-
9116674-21	5.00 - 5	6-	9169946-06	2.00 - 29	61-	9223633-00	2.00 - 17	33-
9117011-00	1.00 - 11	60-	9169946-07	2.00 - 29	61-	"	2.00 - 21	44-
"	3.00 - 3	28-	9171104-00	2.00 - 29	24-	9229049-01	1.00 - 3	51-
"	3.00 - 3	54-	"	2.00 - 29	33-	"	1.00 - 3	63-
"	3.00 - 7	28-	9172914-00	5.00 - 17	5-	"	1.00 - 7	45-
"	3.00 - 7	54-	9174383-01	5.00 - 25	3-	"	1.00 - 11	45-
9117321-00	3.00 - 3	15-	9174383-02	5.00 - 25	3-	"	1.00 - 19	9-
"	3.00 - 3	25-	9175953-00	4.00 - 3	8-	9229049-02	1.00 - 3	52-
"	3.00 - 3	51-	"	4.00 - 3	8-	"	1.00 - 7	46-
"	3.00 - 7	15-	9183453-00	2.00 - 21	21-	"	1.00 - 11	46-
"	3.00 - 7	25-	9186956-00	1.00 - 3	24-	9229049-03	1.00 - 3	53-
"	3.00 - 7	51-	"	1.00 - 7	27-	"	1.00 - 7	47-
9119823-00	2.00 - 17	11-	"	1.00 - 11	27-	"	1.00 - 11	47-
"	2.00 - 21	10-	9191943-00	1.00 - 29	28-	9229049-04	1.00 - 29	21-
9119833-00	2.00 - 17	12-	"	1.00 - 37	31-	"	1.00 - 37	24-
"	2.00 - 21	11-	9198286-01	2.00 - 3	7-	9229049-05	1.00 - 3	55-
9121143-00	2.00 - 21	16-	9198904-04	4.00 - 23	5-	9229199-02	1.00 - 3	45-
9121343-00	1.00 - 3	56-	9198914-02	4.00 - 21	5-	"	1.00 - 7	35-
"	1.00 - 7	61-	9199316-00	2.00 - 3	5-	"	1.00 - 11	35-
"	1.00 - 11	64-	9201076-01	5.00 - 27	12-	9230029-03	5.00 - 3	4-
9121453-00	1.00 - 25	10-	"	5.00 - 29	13-	9233534-02	2.00 - 29	12-
9122073-00	4.00 - 21	6-	9201076-02	5.00 - 27	13-	9233534-03	1.00 - 49	12-
"	4.00 - 23	6-	"	5.00 - 29	14-	"	2.00 - 29	52-
9124103-00	2.00 - 17	19-	9201076-04	5.00 - 29	15-	9233534-04	2.00 - 29	72-
9124333-00	5.00 - 25	6-	9203303-00	5.00 - 27	10-	9233534-05	1.00 - 49	57-
9124521-00	1.00 - 3	62-	"	5.00 - 29	11-	9233534-06	1.00 - 49	69-
"	1.00 - 7	17-	9204346-00	1.00 - 49	20-	9233534-16	1.00 - 49	23-
"	1.00 - 11	17-	"	1.00 - 49	24-	9234494-01	2.00 - 29	11-
9126303-03	5.00 - 27	6-	9204426-00	1.00 - 49	65-	9242344-01	1.00 - 33	22-
"	5.00 - 29	7-	"	1.00 - 49	68-	"	1.00 - 41	22-
9143641-00	3.00 - 13	5-	9204576-08	1.00 - 49	67-	9243074-01	3.00 - 17	31-
9147844-03	5.00 - 25	2-	9204586-03	1.00 - 49	63-	9243074-02	3.00 - 17	32-
9148923-01	4.00 - 7	30-	9207344-06	2.00 - 29	3-	9247374-00	6.00 - 11	6-
9157066-00	1.00 - 37	19-	9208023-00	1.00 - 29	37-	"	6.00 - 13	5-
9162543-01	6.00 - 33	1-	9208033-00	1.00 - 37	40-	9249744-00	6.00 - 11	1-

PartNo.	Page	Item	PartNo.	Page	Item	PartNo.	Page	Item
"	6.00 - 13	1-	"	6.00 - 25	18-	9321169-10	2.00 - 17	13-
9253344-00	4.00 - 19	10-	"	6.00 - 27	17-	9321189-08	2.00 - 17	22-
9257524-00	4.00 - 7	22-	"	6.00 - 29	15-	"	2.00 - 21	18-
9257833-00	6.00 - 15	4-	"	6.00 - 33	7-	9322009-02	2.00 - 3	32-
9257843-00	6.00 - 15	3-	9301159-05	2.00 - 3	22-	9323674-00	1.00 - 49	26-
9260974-01	1.00 - 49	54-	9301884-01	1.00 - 3	23-	9323714-00	1.00 - 49	71-
9260974-02	1.00 - 49	54-	"	1.00 - 7	26-	9323754-00	1.00 - 49	28-
9260974-21	1.00 - 49	9-	"	1.00 - 11	26-	9323784-00	1.00 - 49	73-
"	2.00 - 29	43-	9303693-00	2.00 - 17	44-	9323824-00	1.00 - 49	27-
9260974-22	1.00 - 49	9-	"	2.00 - 21	47-	9323854-00	1.00 - 49	72-
"	2.00 - 29	43-	9303924-00	4.00 - 13	11-	9327299-03	4.00 - 7	16-
9260974-51	2.00 - 29	63-	9304554-01	6.00 - 3	1-	9348723-02	6.00 - 11	15-
9260974-52	2.00 - 29	63-	9305404-02	2.00 - 3	18-	9351793-00	2.00 - 17	38-
9264023-00	1.00 - 11	59-	"	2.00 - 11	1-	"	2.00 - 21	29-
"	3.00 - 3	24-	9306853-00	1.00 - 3	31-	9355053-00	6.00 - 3	14-
"	3.00 - 7	24-	"	1.00 - 7	39-	9358983-00	4.00 - 3	2-
9268673-00	2.00 - 29	26-	"	1.00 - 11	39-	9363013-01	3.00 - 17	34-
"	2.00 - 29	34-	9306863-00	1.00 - 3	32-	9363023-02	3.00 - 19	45-
"	2.00 - 29	67-	"	1.00 - 7	40-	9371009-04	2.00 - 3	12-
"	2.00 - 29	74-	"	1.00 - 11	40-	"	2.00 - 3	12-
9270284-02	4.00 - 27	22-	9306873-00	1.00 - 3	35-	"	6.00 - 3	11-
9271454-01	6.00 - 19	3-	"	1.00 - 7	42-	9371009-05	6.00 - 19	5-
9273284-01	1.00 - 25	14-	"	1.00 - 11	42-	9372009-03	1.00 - 49	7-
9273294-00	1.00 - 25	8-	9306883-00	1.00 - 3	34-	"	1.00 - 49	13-
9277884-00	1.00 - 3	40-	"	1.00 - 7	43-	"	1.00 - 49	34-
"	1.00 - 7	14-	"	1.00 - 11	43-	"	2.00 - 29	6-
"	1.00 - 11	14-	9307123-00	6.00 - 11	7-	"	2.00 - 29	15-
9282833-00	6.00 - 15	2-	9308183-01	5.00 - 11	7-	"	2.00 - 29	48-
9283213-00	1.00 - 3	50-	9309079-04	5.00 - 25	4-	"	2.00 - 29	53-
"	1.00 - 7	52-	9310119-16	4.00 - 3	4-	9372009-04	2.00 - 29	27-
"	1.00 - 11	52-	9310139-07	1.00 - 47	2-	"	2.00 - 29	35-
9285813-00	5.00 - 25	13-	9310149-02	1.00 - 23	4-	"	2.00 - 29	69-
9286324-00	1.00 - 3	26-	9310169-05	1.00 - 3	9-	"	2.00 - 29	76-
"	1.00 - 7	55-	"	1.00 - 7	10-	9373009-10	3.00 - 7	21-
"	1.00 - 11	55-	"	1.00 - 11	10-	9374673-00	1.00 - 3	33-
9287244-01	6.00 - 3	13-	9310179-04	2.00 - 17	6-	"	1.00 - 7	38-
9288424-00	1.00 - 25	9-	9310293-00	1.00 - 3	38-	"	1.00 - 11	38-
9291053-00	6.00 - 15	5-	"	1.00 - 7	12-	9375019-05	2.00 - 17	14-
9291503-00	3.00 - 17	30-	"	1.00 - 11	12-	"	2.00 - 21	13-
9291513-00	3.00 - 17	33-	9311099-04	6.00 - 3	24-	"	3.00 - 13	22-
9292524-00	4.00 - 19	9-	9312794-00	5.00 - 27	15-	9375019-07	2.00 - 17	23-
9292613-00	1.00 - 37	42-	"	5.00 - 29	17-	"	2.00 - 21	19-
9294633-00	4.00 - 19	4-	9315323-03	5.00 - 9	11-	"	3.00 - 3	21-
9301139-03	6.00 - 21	16-	9320503-00	4.00 - 3	6-	"	3.00 - 7	21-
"	6.00 - 23	17-	9321169-08	2.00 - 21	12-	9375019-09	2.00 - 3	9-

PartNo.	Page	Item	PartNo.	Page	Item	PartNo.	Page	Item
9383323-01	6.00 - 3	17-	"	5.00 - 11	10-			
9385253-00	2.00 - 17	20-	9601009-59	5.00 - 3	12-			
9387903-00	2.00 - 21	17-	9601009-61	5.00 - 3	24-			
9388263-00	2.00 - 17	41-	9601009-62	5.00 - 3	24-			
"	2.00 - 21	31-	== END ==					
9389623-00	2.00 - 3	13-						
9393383-11	5.00 - 41	16-						
9393383-12	5.00 - 39	19-						
"	5.00 - 41	16-						
9400049-03	6.00 - 3	25-						
9401019-08	1.00 - 25	11-						
9504309-12	2.00 - 17	21-						
9505139-05	1.00 - 33	20-						
"	1.00 - 41	20-						
9505209-15	2.00 - 17	18-						
9517069-03	1.00 - 11	62-						
"	3.00 - 3	29-						
"	3.00 - 3	55-						
"	3.00 - 7	29-						
"	3.00 - 7	55-						
9517079-08	2.00 - 17	32-						
"	2.00 - 21	43-						
9517089-10	2.00 - 21	43-						
9524059-01	6.00 - 15	11-						
9524059-02	6.00 - 15	9-						
9524089-01	6.00 - 15	10-						
9524089-04	6.00 - 15	12-						
9537019-05	5.00 - 25	12-						
9537019-07	2.00 - 17	16-						
"	2.00 - 21	15-						
9554009-11	4.00 - 3	3-						
9554009-12	4.00 - 3	3-						
9564019-06	3.00 - 13	18-						
9585069-95	2.00 - 17	26-						
9585079-05	2.00 - 21	37-						
9591009-11	5.00 - 25	11-						
9601009-03	3.00 - 3	35-						
"	3.00 - 3	37-						
"	3.00 - 7	35-						
"	3.00 - 7	37-						
9601009-06	5.00 - 13	5-						
"	5.00 - 15	3-						
9601009-13	5.00 - 3	18-						
9601009-58	5.00 - 9	10-						
"	5.00 - 11	3-						



Part No. 5242511-30

---

Jul 16, 2015

**Sumitomo NACCO Materials Handling Co., Ltd.**

2-75 DAITOH-CHO, OBU-SHI, AICHI-KEN  
474-8555 JAPAN

---

All rights reserved.